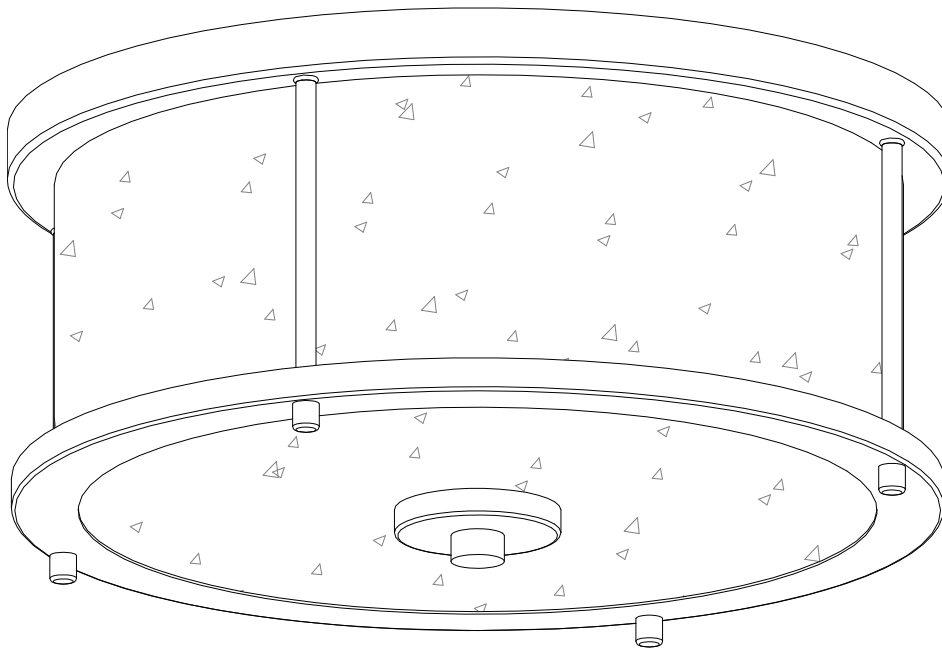


Item Number: A05157

WARNING (To reduce the risk of fire, electric shock, or personal injury):

1. We suggest installation by a **licensed electrician**.
2. Please read the instruction carefully and save it as you may need it at a later time.
3. Before you start, **NEVER** attempt any work without shutting off the electricity until the work is done.
 - » Go to the main fuse, or circuit breaker, box in your home. Place the main power switch in the “**OFF**” position.
 - » Place the wall switch in the “**OFF**” position.
4. Mounting surface should be clean, dry, flat, strong enough and 1/4” larger than the canopy on all sides. Any gaps between the mounting surface and canopy exceeding 3/16” should be corrected as required.
5. Make sure that the ceiling or wall can stand the weight of the lamp before installation.
6. Make sure the voltage you are using is **120V**. The maximum wattage is **Type B, Max 40W** per bulb.
7. Keep the lamp away from acidic and alkaline substances in case of damaging the surface of the lamp.
8. When replacing bulbs, you should turn off or unplug the lamp and you must wait until it is cool as bulbs get hot quickly.
9. The safety instructions appearing in this manual are not meant to cover all possible conditions that may occur. It must be understood that common sense, caution and care must be used with any electrical products.

IMAGE FOR FINISHED PRODUCT:



ORDERING PARTS


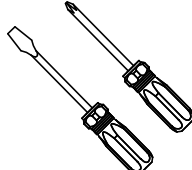
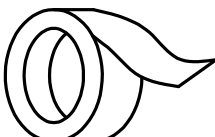
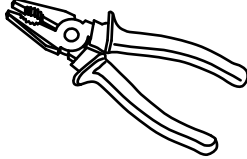
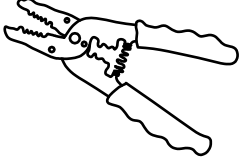
Keep this sheet for future reference in case you need to order replacement parts. All parts for this fixture can be ordered from the place of purchase. Be sure to use exact wording from illustration when ordering parts.

CLEANING

To clean, wipe the fixture with a soft cloth. Clean glass with a mild cleaner (such as mild and non-abrasive soap). Do not use abrasive materials such as scouring pads or powders, steel wool or abrasive paper.

TOOLS REQUIRED (NOT INCLUDED):

Before starting assembly and installation please prepare the needed tools as below picture

				
<p>Ladder</p>	<p>Philips Head or Flat Blade Screwdriver</p>	<p>Electrical Tape</p>	<p>Pliers</p>	<p>Wire Cutter/Stripper</p>

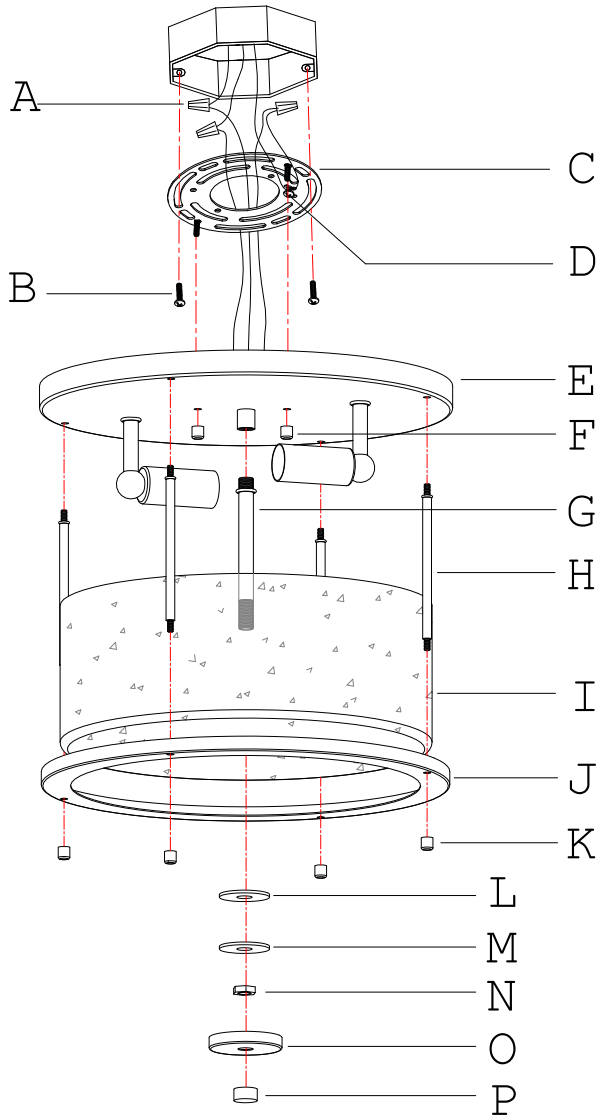
OUTLET BOX

PARTS TYPE & QTY INCLUDED:

- (C) Mounting plate (1)
- (D) Green ground screw (1)
- (E) Canopy (1)
- (F) Canopy nut (2)
- (G) Tube (1)
- (H) Pipe (4)
- (I) Lampshade (1)
- (J) Bottom frame (1)
- (K) Pipe nut (4)
- (L) Plastic gasket (1)
- (M) Metal gasket (1)
- (N) Nut (1)
- (O) Lid (1)
- (P) Lid nut (1)

ACCESSORIES & QTY ENCLOSED:

- (A) Plastic wire connector (3)
- (B) Mounting screw (2)



ASSEMBLY & INSTALLATION INSTRUCTIONS:

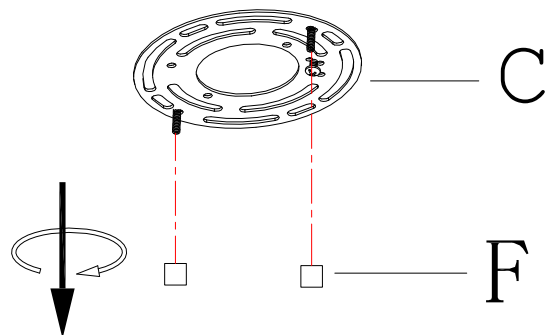
1. Carefully remove the fixture from the carton and check that all parts and accessories are included as shown in the above illustration.

2. Turn off power

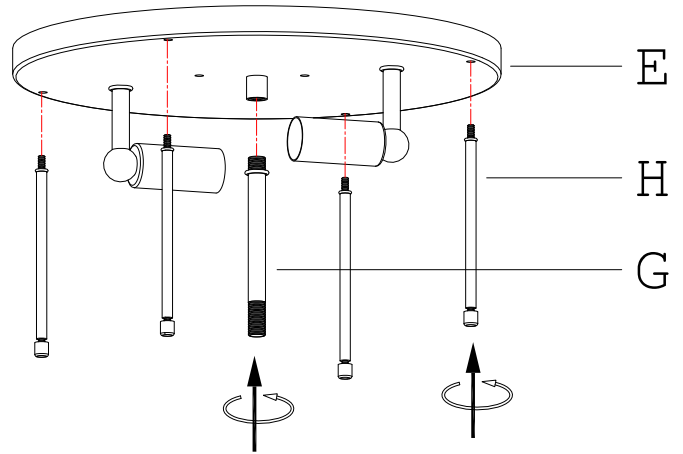
Before you start the installation, **NEVER** attempt any work without shutting off the electricity until the work is done.

- » Go to the main fuse, or circuit breaker, box in your home. Place the main power switch in the "OFF" position.
- » Place the wall switch in the "OFF" position.

3 » Unscrew canopy nuts (F) from mounting plate (C).

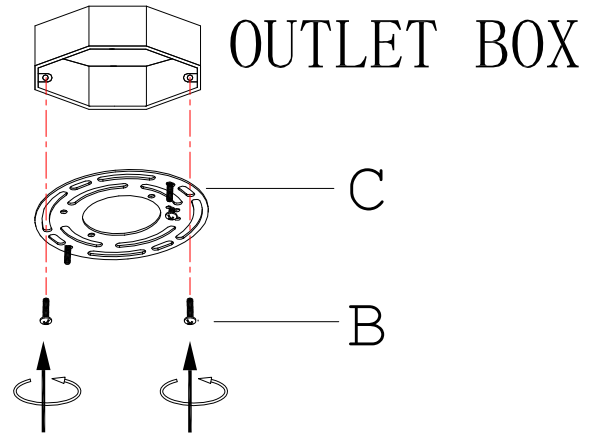


- 4 » 1) Screw tube (G) into center hole of canopy (E).
 2) Screw pipes (H) into the edge hole of canopy (E).



- 5 » Secure mounting plate (C) to the outlet box with mounting screws (B).

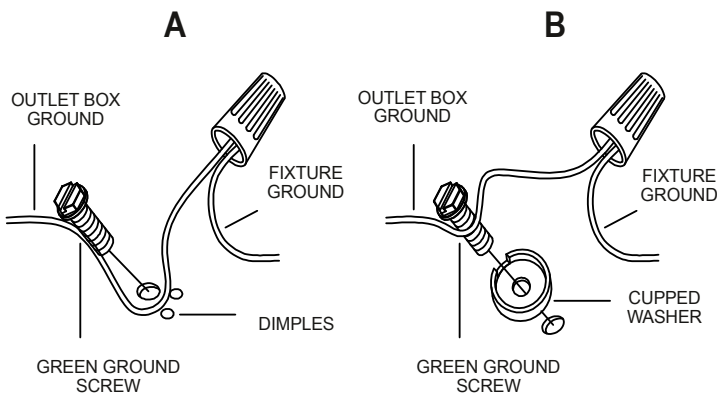
NOTE: the side of mounting plate (C) marked "GND" must face out.



- 6 » Make wire connections

Connect wires as shown in the charts below. **PLEASE NOTE THAT GROUND WIRE IS BARE COPPER WIRE, NEVER CONNECT OTHER WIRES TO GROUND WIRES.**

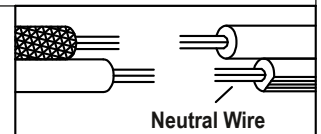
Connect ground wires according to the chart below



Connect wires according to the chart below

Connect Black or Red Supply Wire to:	Connect White Supply Wire to:
Black	White
*Parallel cord (round & smooth)	*Parallel cord (square & ridged)
Clear, Brown, Gold or Black without tracer	Clear, Brown, Gold or Black with tracer
Insulated wire (other than green) with copper conductor	Insulated wire (other than green) with silver conductor

* Note: When parallel wires (SPT I & SPT II) are used. The neutral wire is square shaped or ridged and the other wire will be round in shape or smooth (see illus.)



Twist wires together with plastic wire connectors until tightly joined, and wrap each connector with approved electrical tape. Be sure that no wire strands are exposed and then carefully tuck all wires into the outlet box.

- 7 » 1) Raise canopy (E) to the ceiling and secure canopy (E) in place by tightening canopy nuts (F) onto the pre-assembled threaded nipple on mounting plate (C).

Note: canopy (E) should be snug against the ceiling and canopy nuts (F).

If not, adjust the threaded length on mounting plate (C):

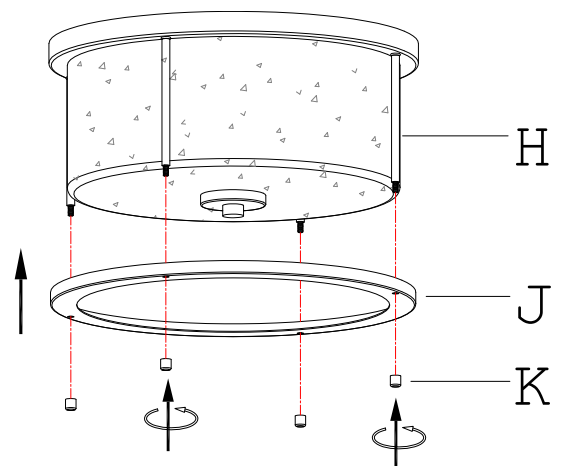
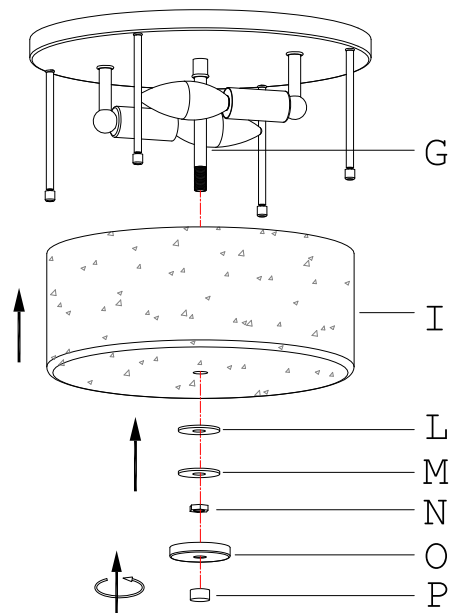
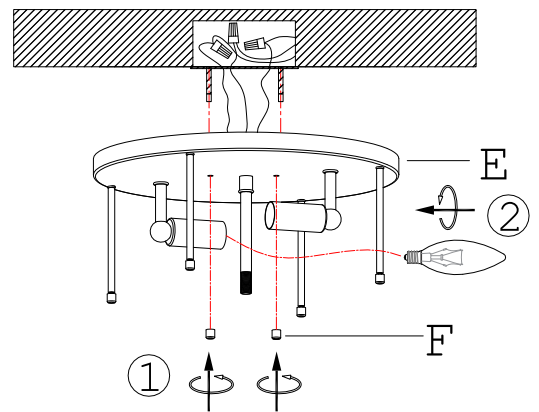
- **First, unscrew the pre-assembled hex nuts.**
- **Then, screw the pre-assembled screws in or out of mounting plate (C).**
- **When the secure length is achieved, tighten the hex nuts and back to step 7.**

- 2) Install bulbs (not included) (Please do not exceed the maximum wattage recommended on the socket.)

- 8 » Attach lampshade (I) to canopy (E) as shown in the illustration:

- 1) Hang lampshade (I) to canopy (E).
- 2) Screw plastic gasket (L), metal gasket (M), nut (N) and lid (O) to nipple of tube (G), and then screw lid nut (P) to the nipple to secure the unit.

- 9 » 1) Unscrew pipe nuts (K) from pipes (H).
- 2) Align holes of bottom frame (J) and pipes (H), and then attach bottom frame (J) to the assembled unit.
- 3) Screw pipe nuts (K) to nipples of pipes (H) to secure the whole unit.



10. Check that everything is installed properly, then you can turn on the light. We hope you enjoy your new lighting!