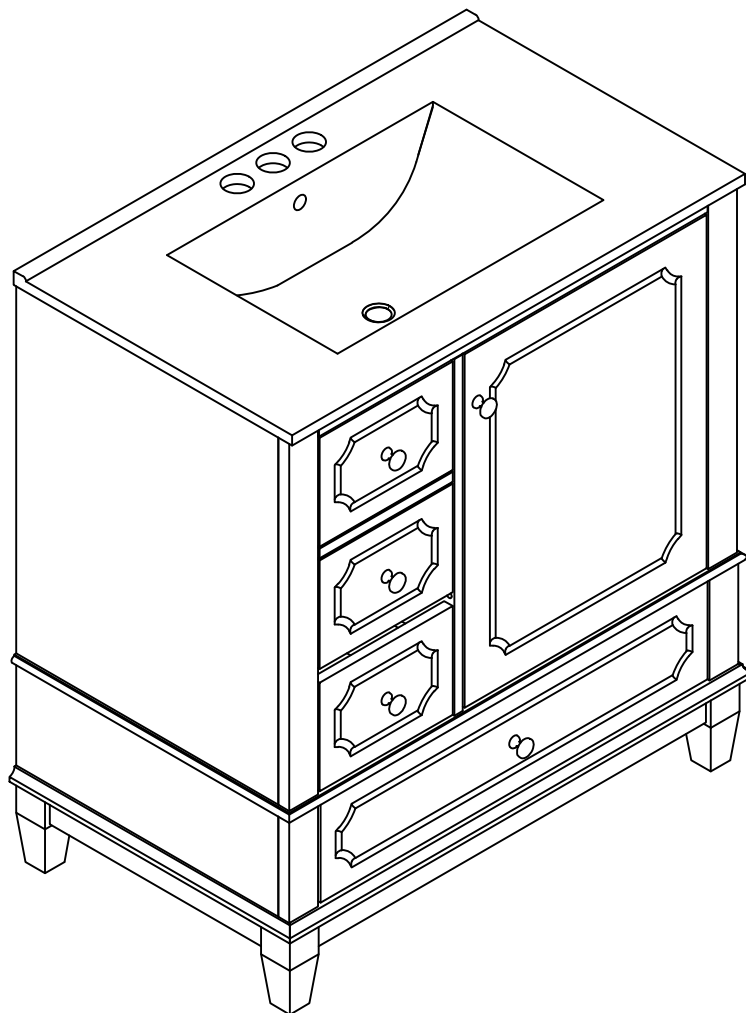


ASSEMBLY INSTRUCTION

30INCH BATH VANTINY (COMBO)

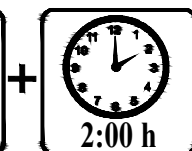
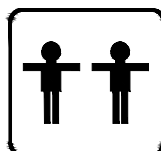
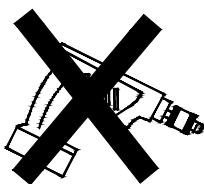


Thank you for purchasing this quality product. Be sure to check all pack material carefully for small parts which may have come loose inside the carton during shipment. Separate, identify and count all parts and hardware.

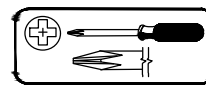
Compare with the parts list to be sure all parts are present.

"DO NOT TIGHTEN SCREWS UNTIL COMPLETELY ASSEMBLED"

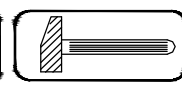
***Use of power tool to assemble this product will invalidate any claim and damage this product making unsafe !!!**
***Please assemble on a clean soft surface to avoid damage.**



Tools Required



(Not included)



(Not included)

IMPORTANT:

PLEASE READ INSTRUCTION BEFORE STARTING THE ASSEMBLY

Thank you for buying our products.

Please read the installation manual carefully before installation,

we need you to follow the instructions on the accessories and hardware

step by step assembly complete, our instructions are very detailed.

Products are environmentally friendly products,

Please rest assured that you do not soak in water, do not place very heavy items,

do not malicious push and pull,

if you have any problems in the process of assembly and use, please contact us.

Thank you again for your purchase of our products,

I wish you a happy life.

Before Installation


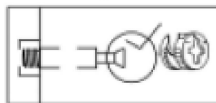
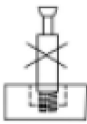
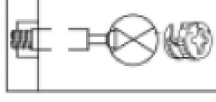
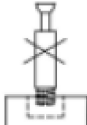

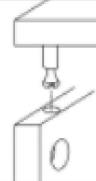
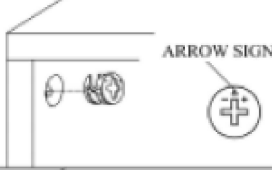
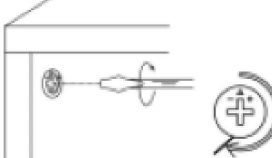
Important - Please read these instructions fully before starting assembly

Thank you for purchasing this quality product. Be sure to check all packing materials carefully for small parts, which may have come loose inside the carton during shipment. Identify and count all items according to the PARTS LIST and/or HARDWARE LIST shown below. Check you have all the components and tools listed on the following pages.

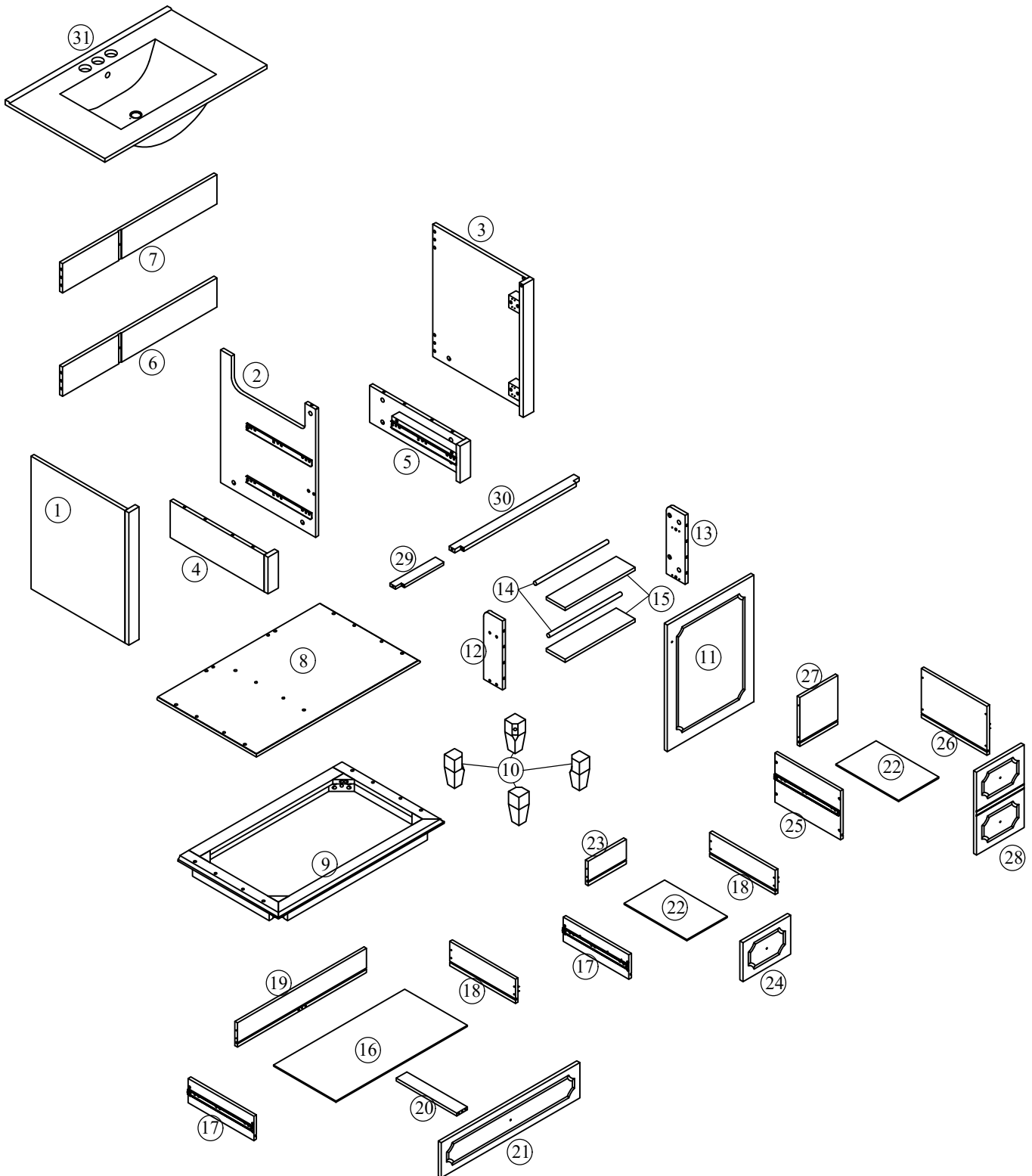
- . We recommend that you assemble this product with the assistance of another person; this will make the assembly easier, and will help eliminate damage to the product or injury to persons during assembly.
- . Please do not over tighten screws or bolts until the assembly is completed.
- . Keep children and animal away from the work area, small parts could choke if swallowed.
- . Please put all parts on a non-abrasive floor before assembly, and follow the assembly steps to assemble your newly purchased product correctly and efficiently.

If you find that you have any trouble with assembly or missing or damaged parts please contact the seller.

Cam Lock Assembly Instructions

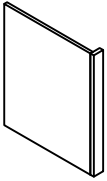
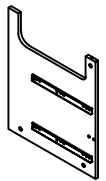
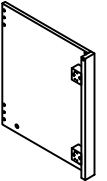
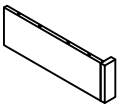
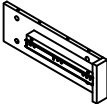
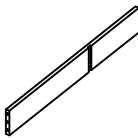
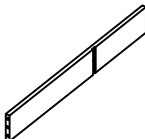
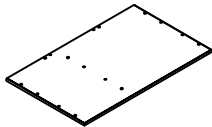
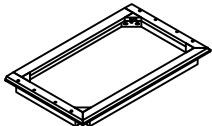
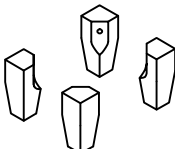
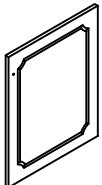
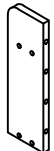
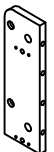
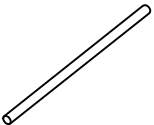
		Diagram A Insert Cam Bolt into hole as shown in diagram A.
		Diagram B Make sure not to insert the Cam Bolt: Too deep as shown in figure B as this will cause the Cam Lock to be misaligned and unable to interlock properly.
		Diagram C Also avoid inserting the Cam Bolt too close to the surface of the hole as shown in figure C, as this will cause the Cam Lock to be too loose, and not interlock properly.
		Connect the panels together.
		ARROW SIGN Insert the Cam Lock so the side opening fits over the head of the Cam Bolt.
		To tighten the Cam Lock, turn it clockwise on half a turn with a flat screwdriver. <i>*Do not use an automatic screwdriver as it may bend or break if too much power is imposed.</i>

Detail View - CABINET

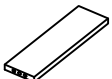
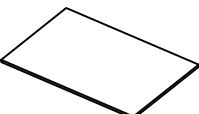
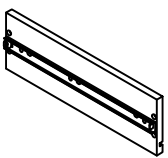
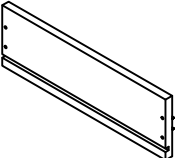

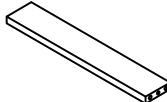
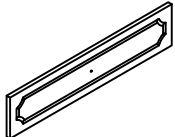
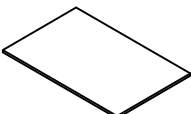
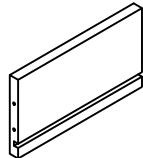
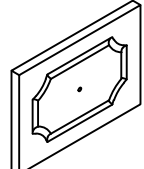
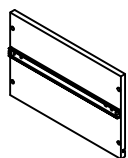
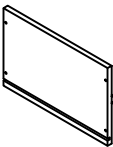
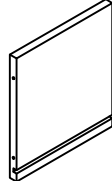
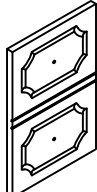


Identifying the Hardware - Identify the hardware using the illustrations below.

Part List

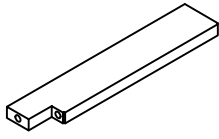
<p>1</p>  <p>Top Side Panel (L) - 1pc</p>	<p>2</p>  <p>Mid Panel - 1pc</p>
<p>3</p>  <p>Top Side Panel (R) - 1pc</p>	<p>4</p>  <p>Bottom Side Panel (L) - 1pc</p>
<p>5</p>  <p>Bottom Side Panel (R) - 1pc</p>	<p>6</p>  <p>Bottom Panel Rear - 1pc</p>
<p>7</p>  <p>Top Panel Rear - 1pc</p>	<p>8</p>  <p>Mid Panel - 1pc</p>
<p>9</p>  <p>Base Frame - 1pc</p>	<p>10</p>  <p>Cabinet Feet - 4pcs</p>
<p>11</p>  <p>Cabinet Door - 1pc</p>	<p>12</p>  <p>Door side panel(L) - 1pc</p>
<p>13</p>  <p>Door side panel(R) - 1pc</p>	<p>14</p>  <p>Round Bar - 2pc</p>

Part List

<p>15</p>  <p>Door shelf panel - 2pc</p>	<p>16</p>  <p>Bottom Panel (Bottom Drawer) - 1pc</p>
<p>17</p>  <p>Drawer Side Panel (L) (Bottom & Mid Drawer) - 2pcs</p>	<p>18</p>  <p>Drawer Side Panel (R) (Bottom & Mid Drawer) - 2pcs</p>
<p>19</p>  <p>Back Panel (Bottom Drawer) - 1pc</p>	<p>20</p>  <p>Support Bar (Bottom Drawer) - 1pc</p>
<p>21</p>  <p>Bottom Drawer Face - 1pc</p>	<p>22</p>  <p>Bottom Panel (Top & Mid Drawer) - 2pcs</p>
<p>23</p>  <p>Back Panel (Mid Drawer) - 1pc</p>	<p>24</p>  <p>Mid Drawer Face - 1pc</p>
<p>25</p>  <p>Side Panel (L) (Top Drawer) - 1pc</p>	<p>26</p>  <p>Side Panel (R) (Top Drawer) - 1pc</p>
<p>27</p>  <p>Back Panel (Top Drawer) - 1pc</p>	<p>28</p>  <p>Top Drawer Face - 1pc</p>

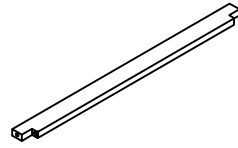
Part List

29



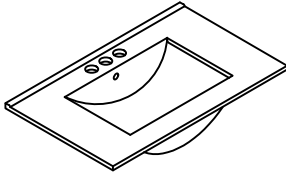
Crossbar Front - 1pc

30



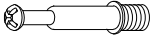





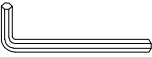

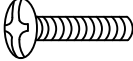
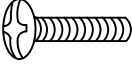
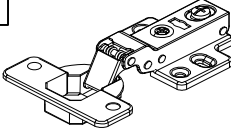

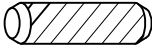
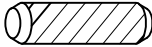
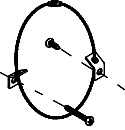
Front Top Bar - 1pc

31

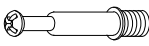





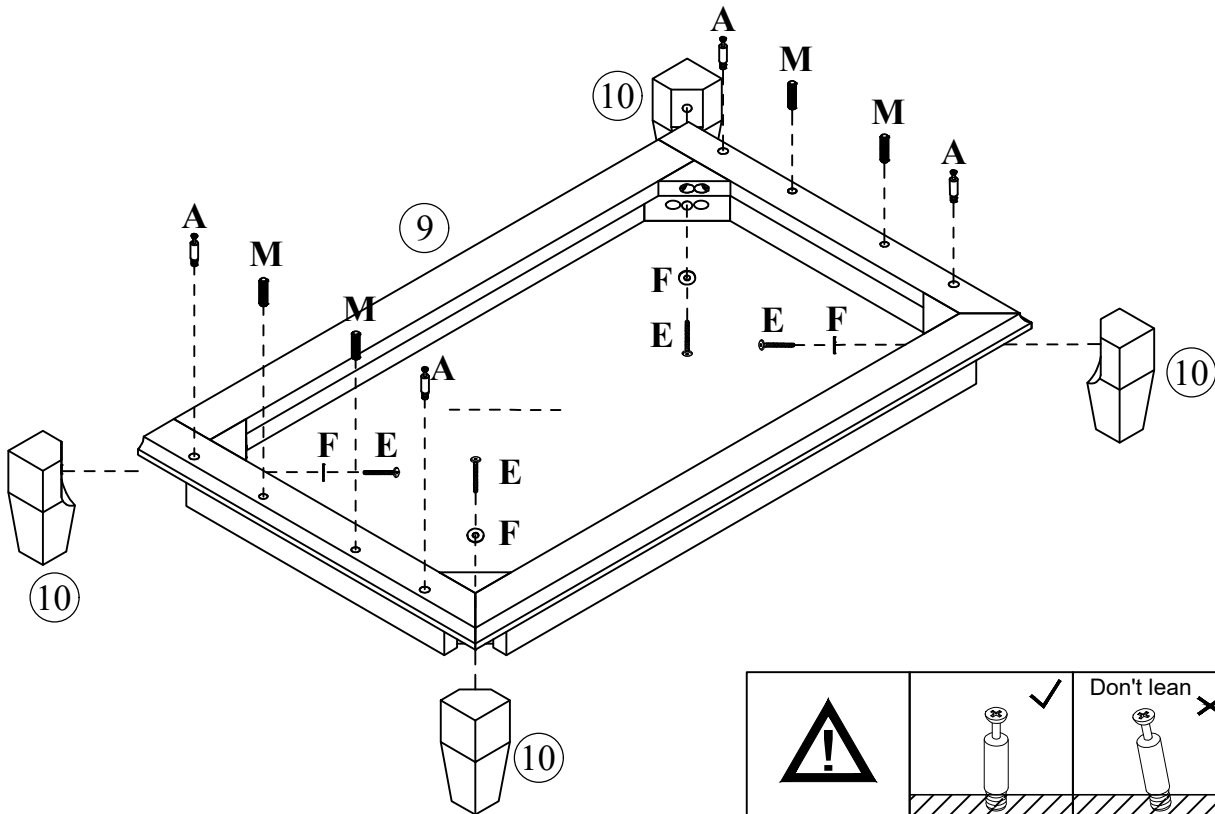
Sink - 1pc

Hardware List


<p>A</p>  <p>ø6x35mm</p> <p>Three in one bolts - 37pcs</p>	<p>B</p>  <p>ø14.5x12mm</p> <p>Three in one lock - 37pcs</p>	<p>C</p>  <p>ø8xø4x32mm</p> <p>Round head screw - 25pcs</p>
<p>D</p>  <p>ø8xø4x25mm</p> <p>Round head screw - 3pcs</p>	<p>E</p>  <p>ø13x1/4"x40mm</p> <p>Hex-Head bolts - 4pcs</p>	<p>F</p>  <p>ø1/4"x16x1mm</p> <p>Washer - 4pcs</p>
<p>G</p>  <p>4mm</p> <p>Allen key - 1pc</p>	<p>H</p>  <p>ø25x25mm</p> <p>Handle - 5pcs</p>	<p>I</p>  <p>ø5/32"x19mm</p> <p>Handle screw - 2pcs</p>
<p>J</p>  <p>ø5/32"x32mm</p> <p>Handle screw - 3pcs</p>	<p>K</p>  <p>Damping hinge - 2pcs</p>	<p>L</p>  <p>ø7xø3.5x15mm</p> <p>Flat head screw - 12pcs</p>
<p>M</p>  <p>ø8x30mm</p> <p>Wood dowel - 36pcs</p>	<p>N</p>  <p>ø6x30mm</p> <p>Wood dowel - 20pcs</p>	<p>O</p>  <p>Anti fall hardware (2sets)</p>

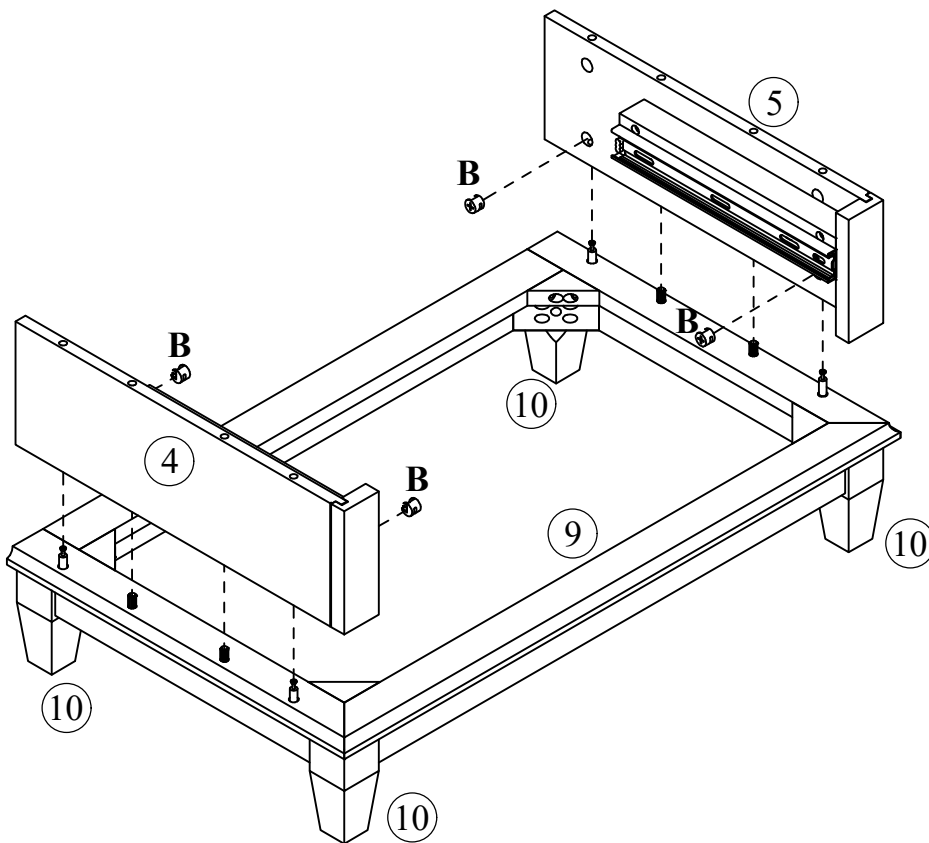
STEP: 1

A	E	F	M
			
4PCS	4PCS	4PCS	4PCS



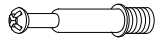
STEP: 2

B

4PCS

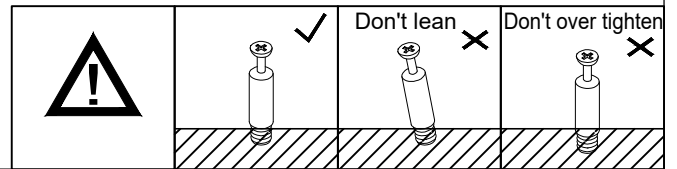
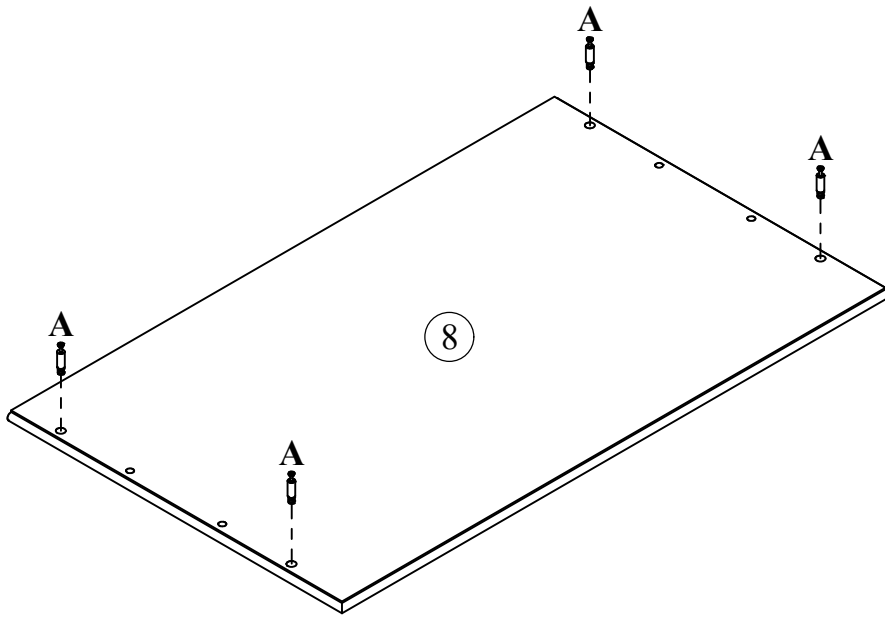


STEP: 3

A



4PCS



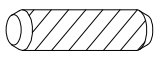
STEP: 4

B

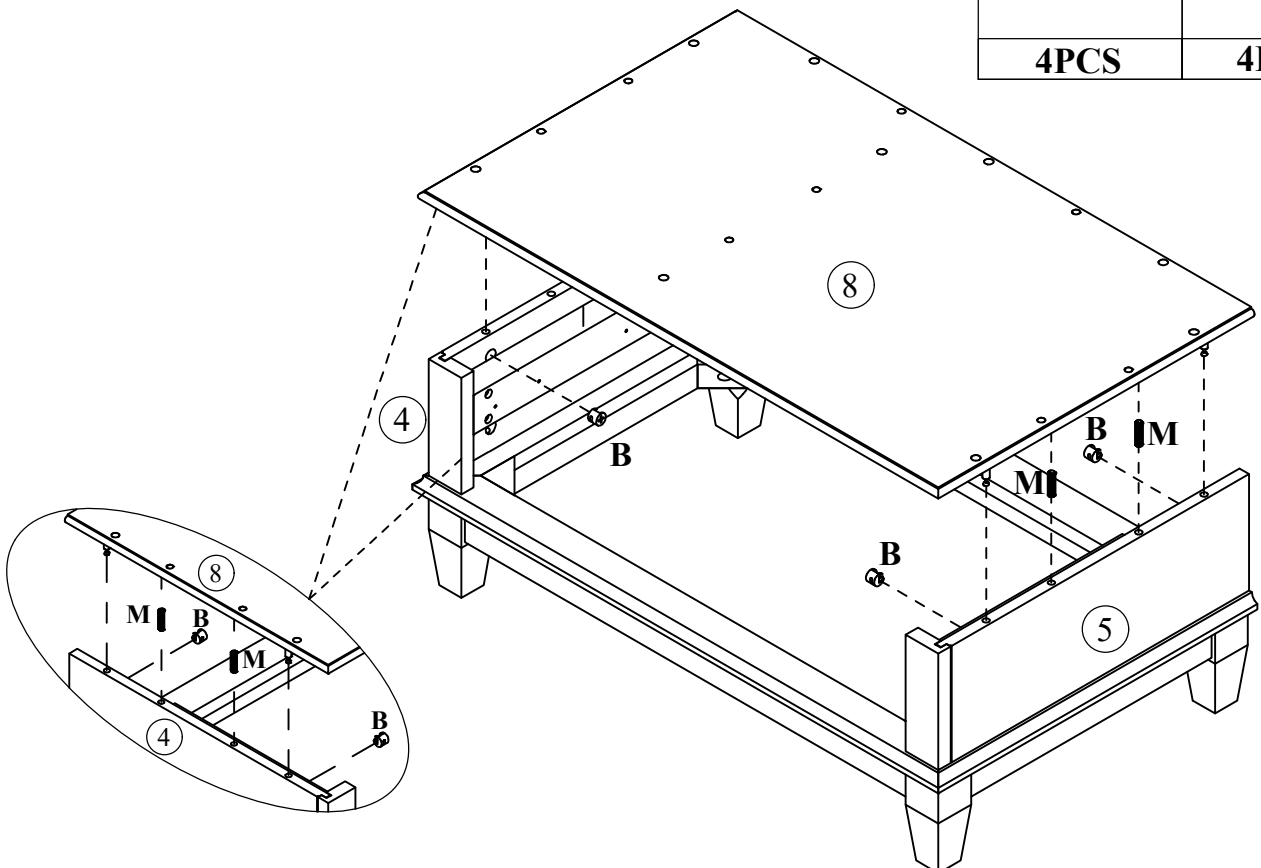


4PCS

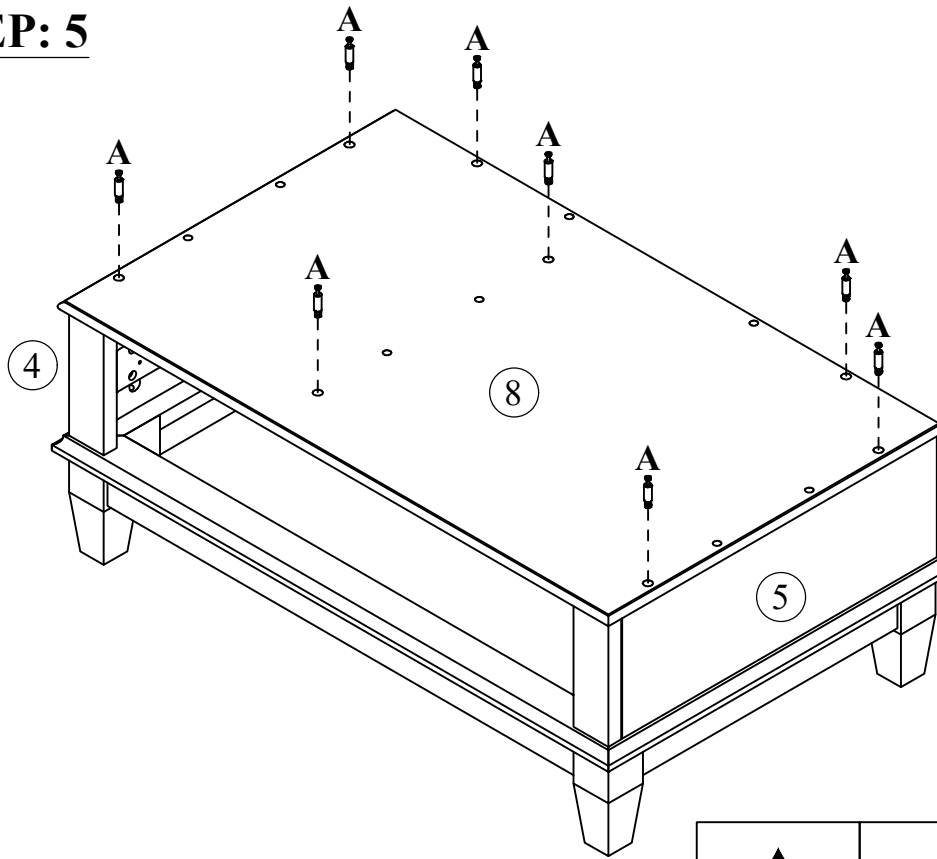
M



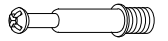
4PCS



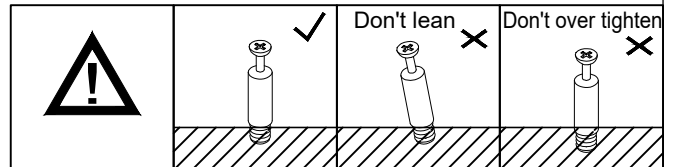
STEP: 5



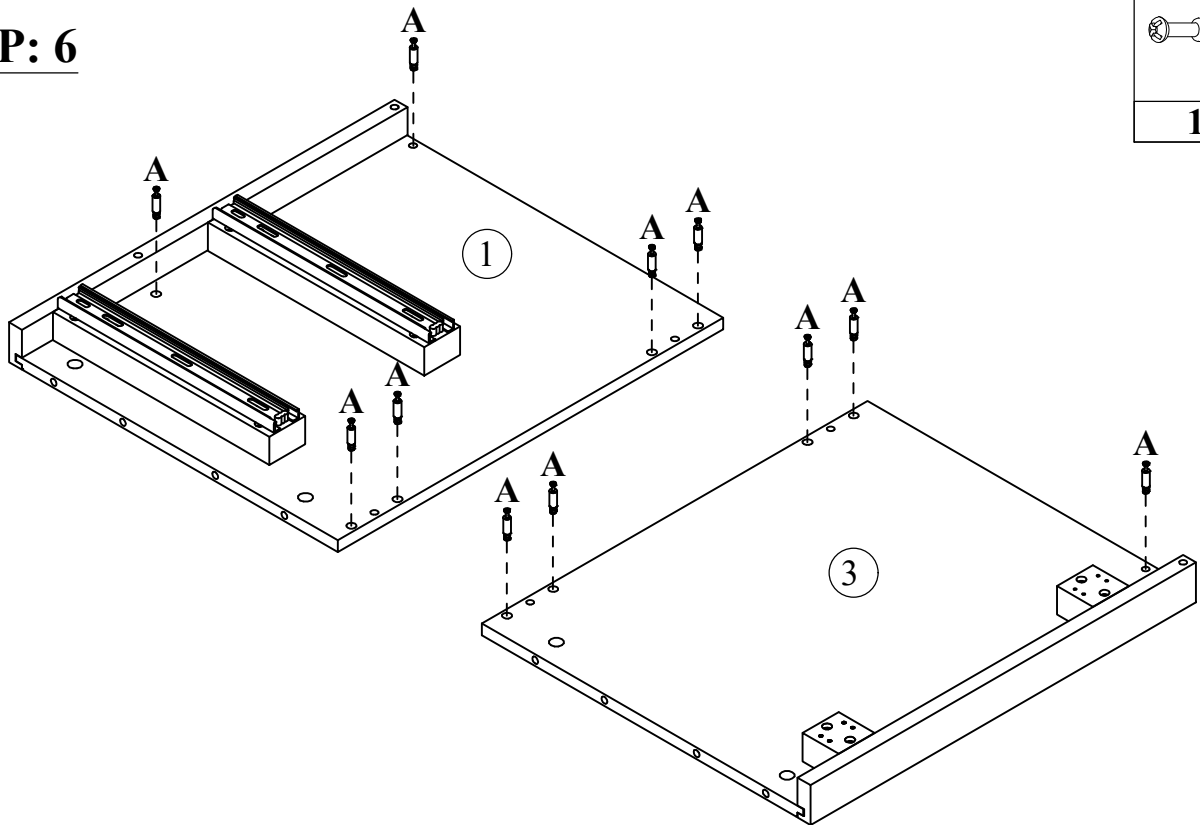
A



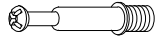
8PCS



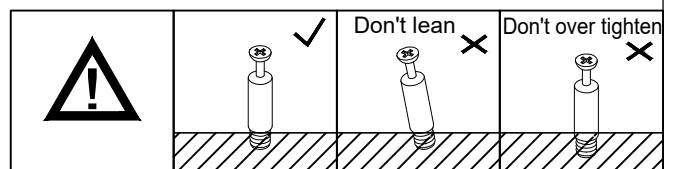
STEP: 6



A

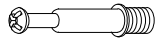


11PCS

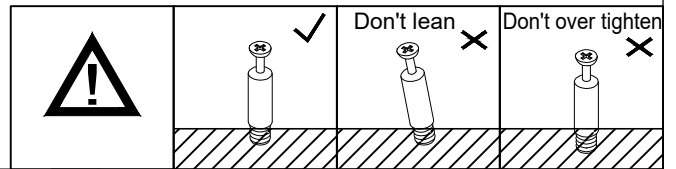
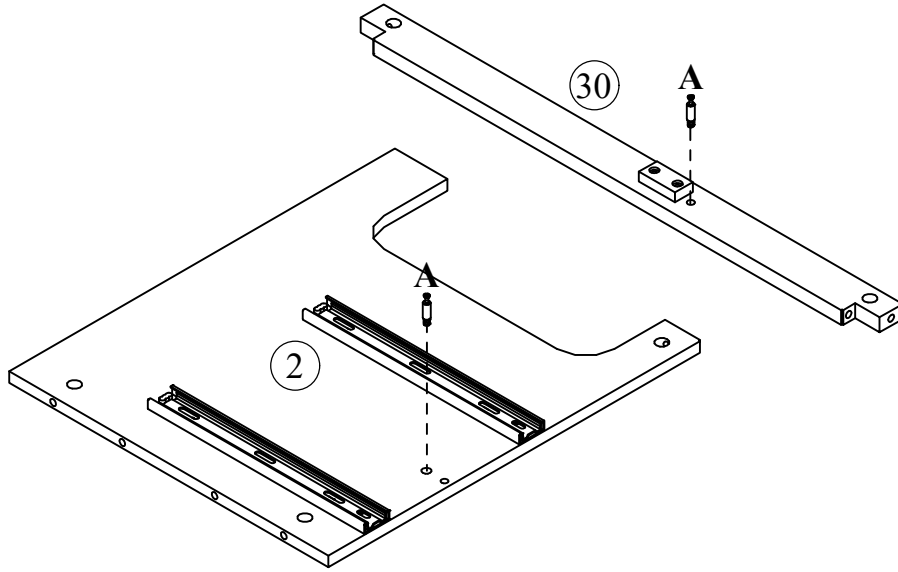


STEP: 7

A



2PCS



STEP: 8

B



2PCS

D

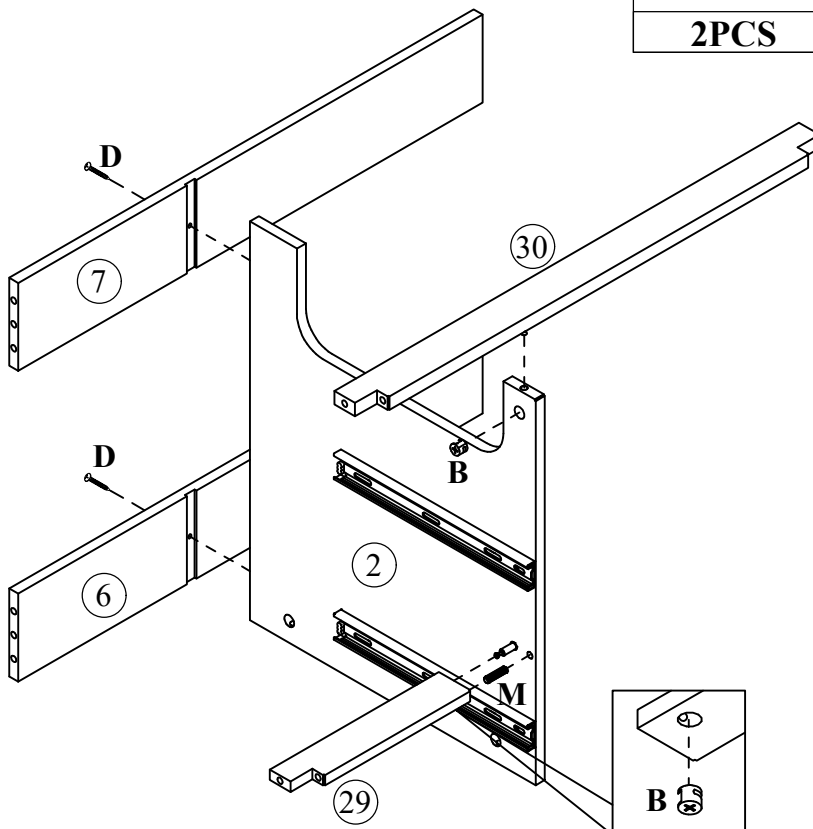


2PCS



M

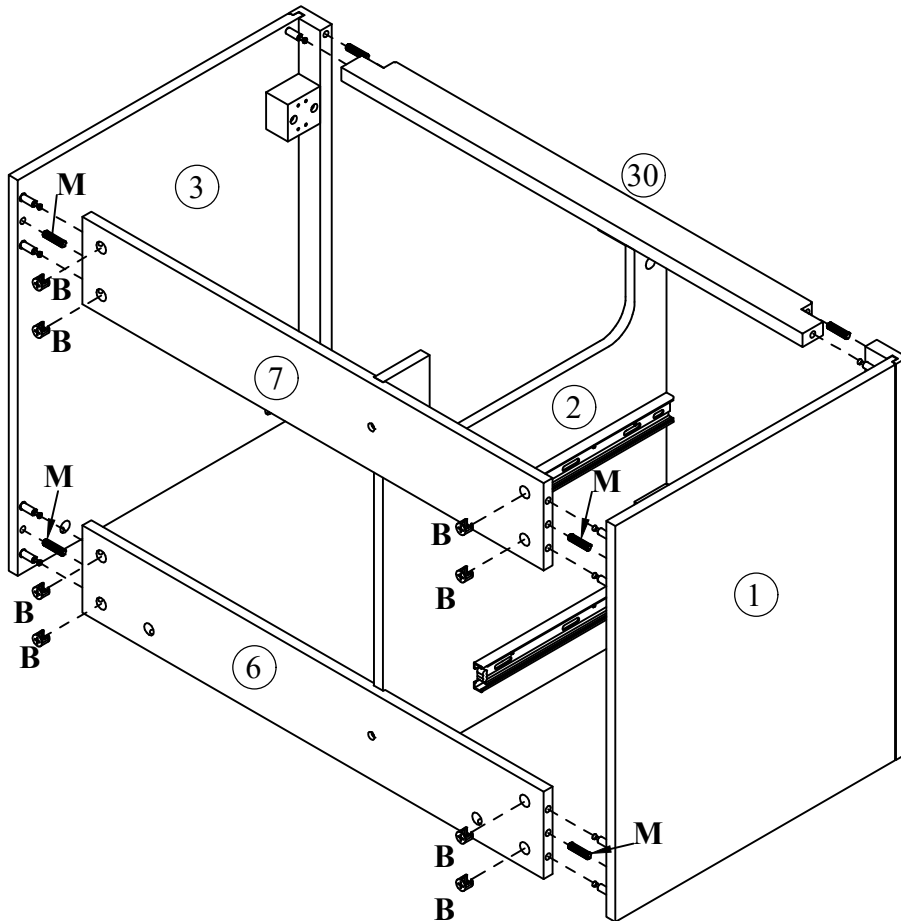
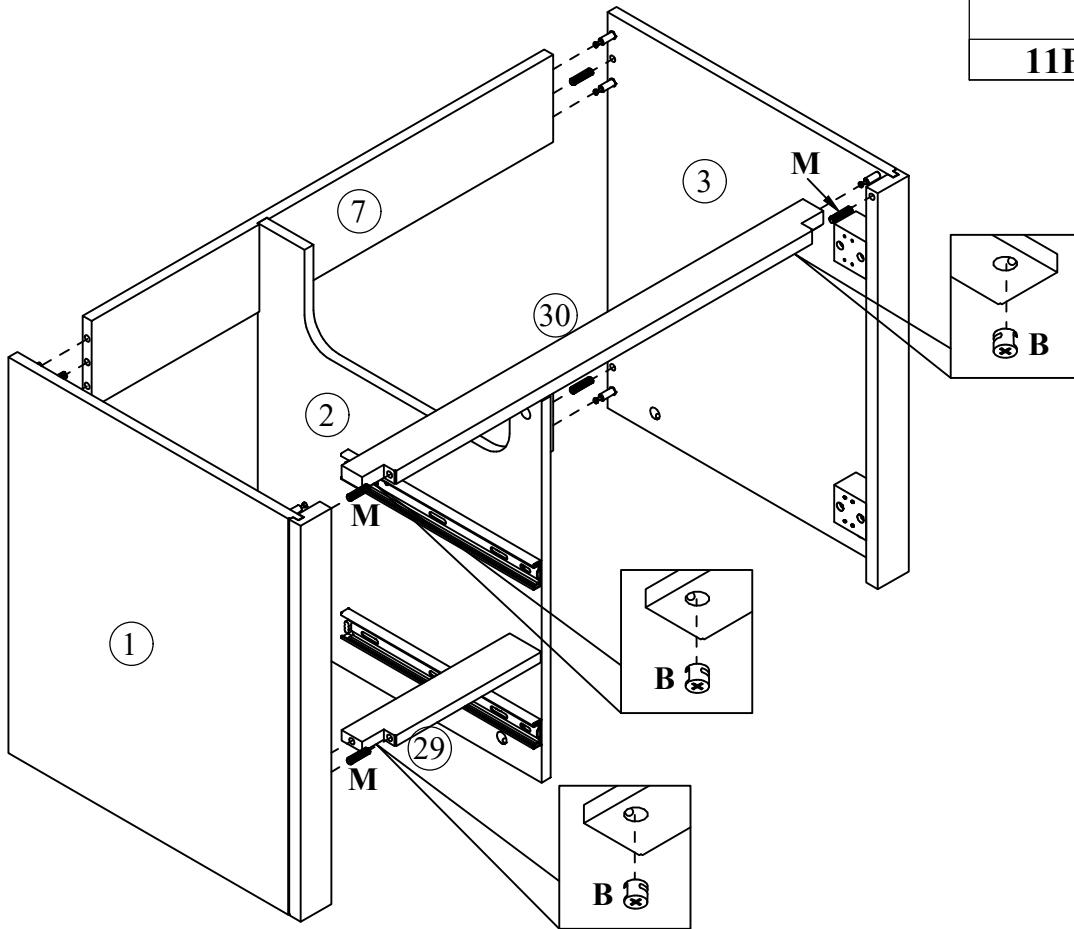


1PC





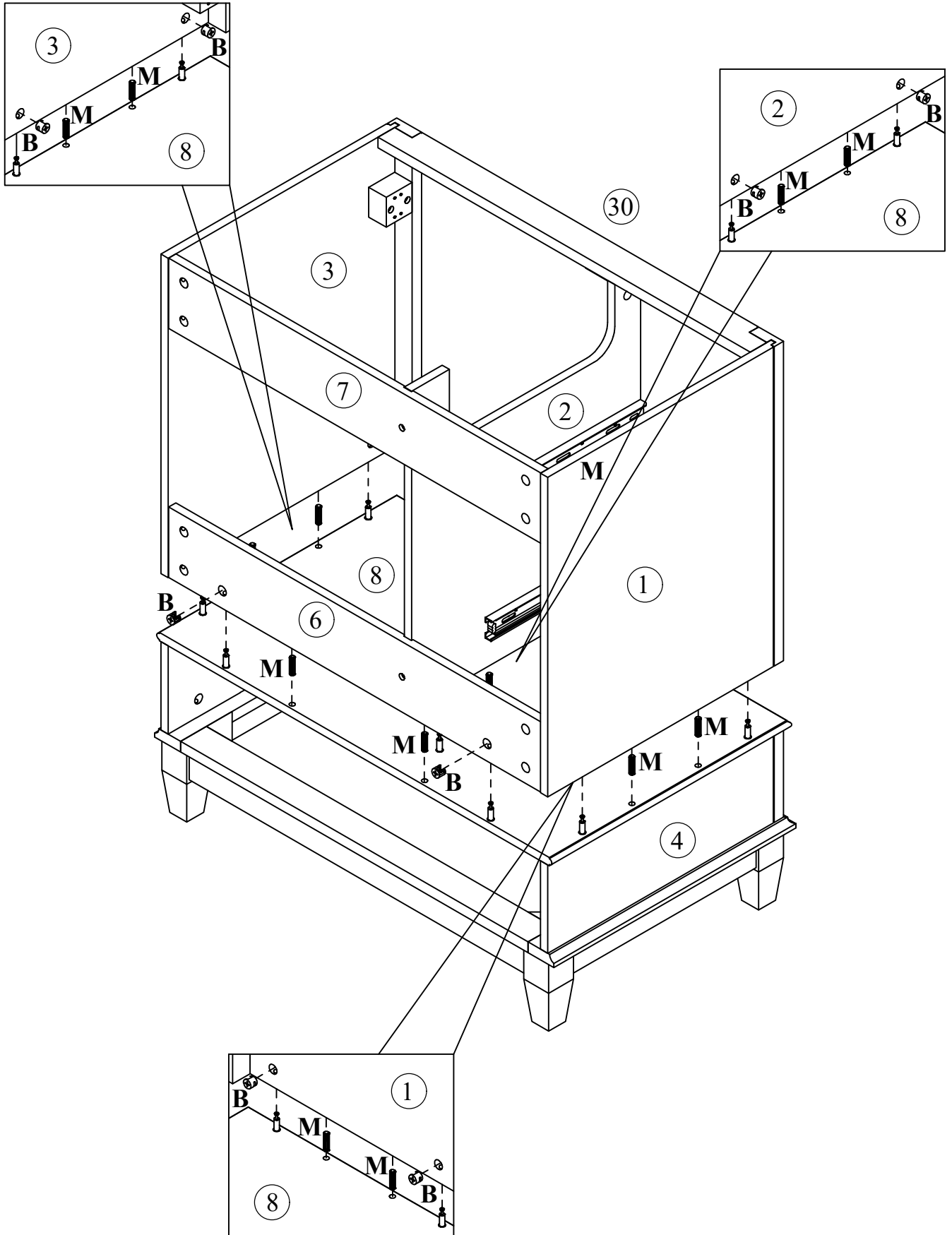
STEP: 9

B 	M 
11PCS	7PCS



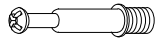
STEP: 10

B		M	
8PCS		8PCS	

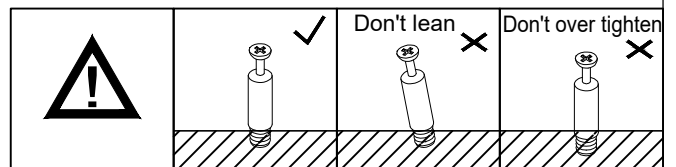
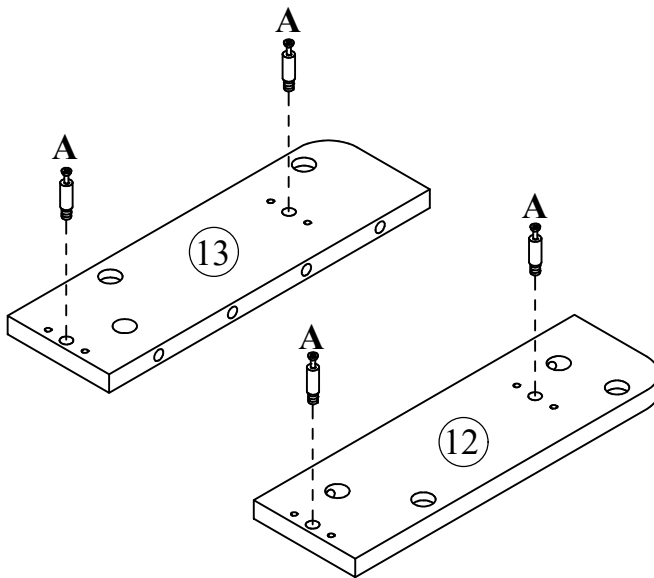
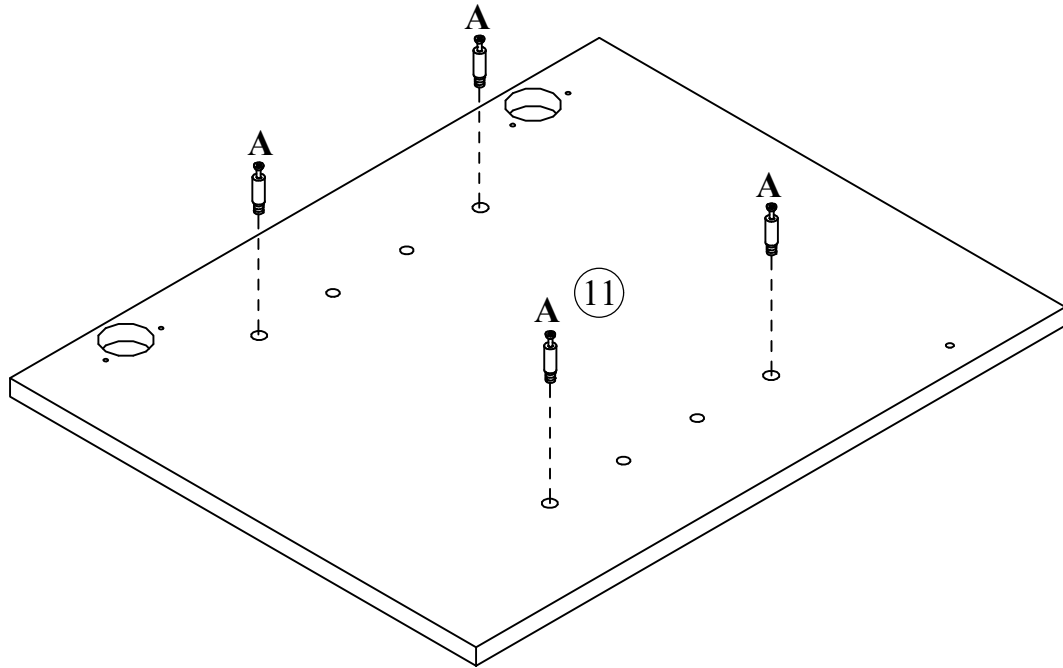


STEP: 11


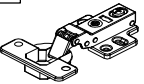
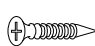

A

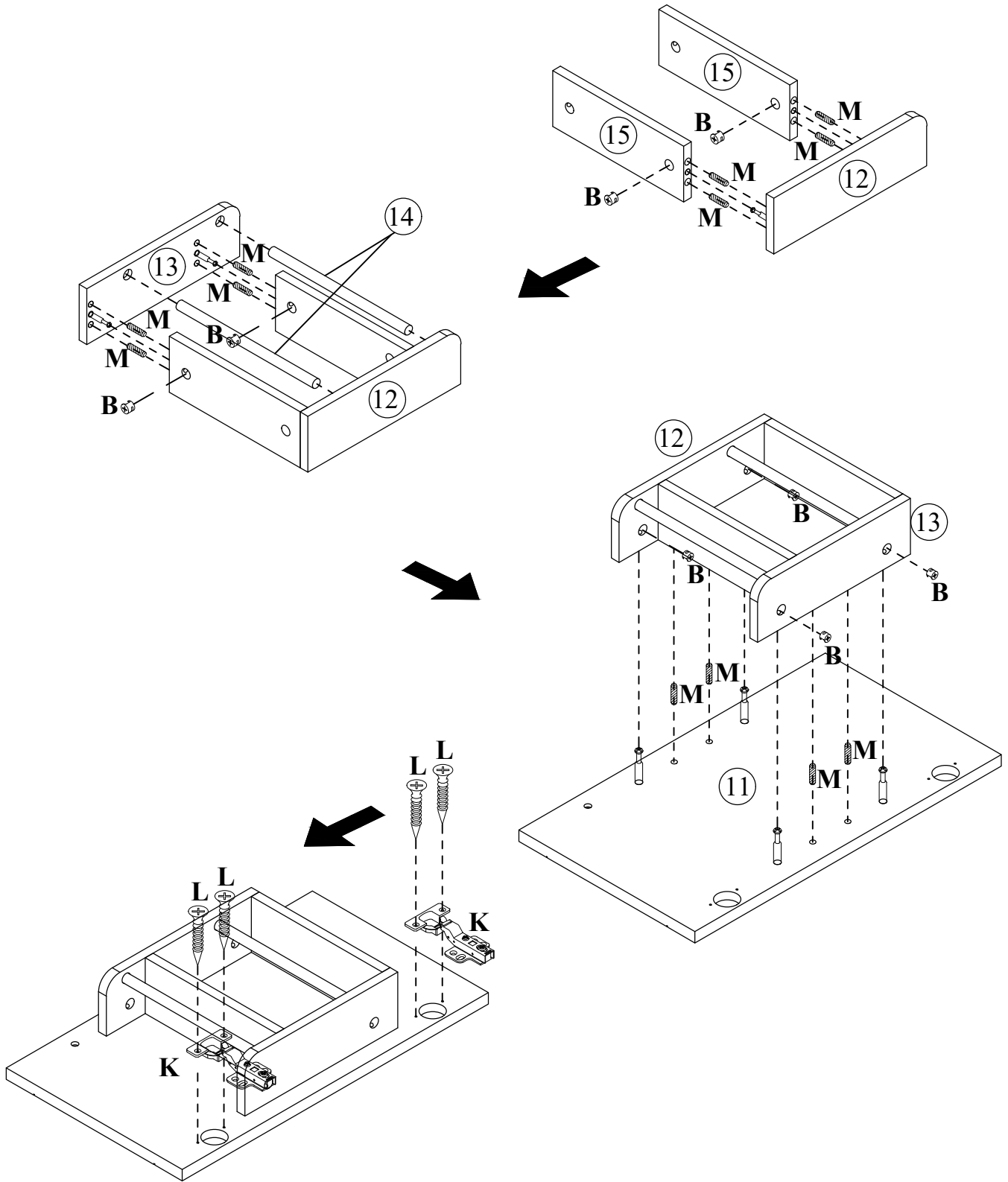


8PCS


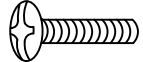
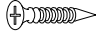


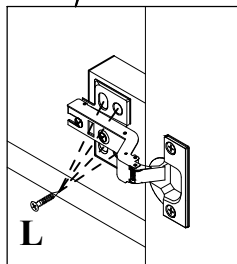
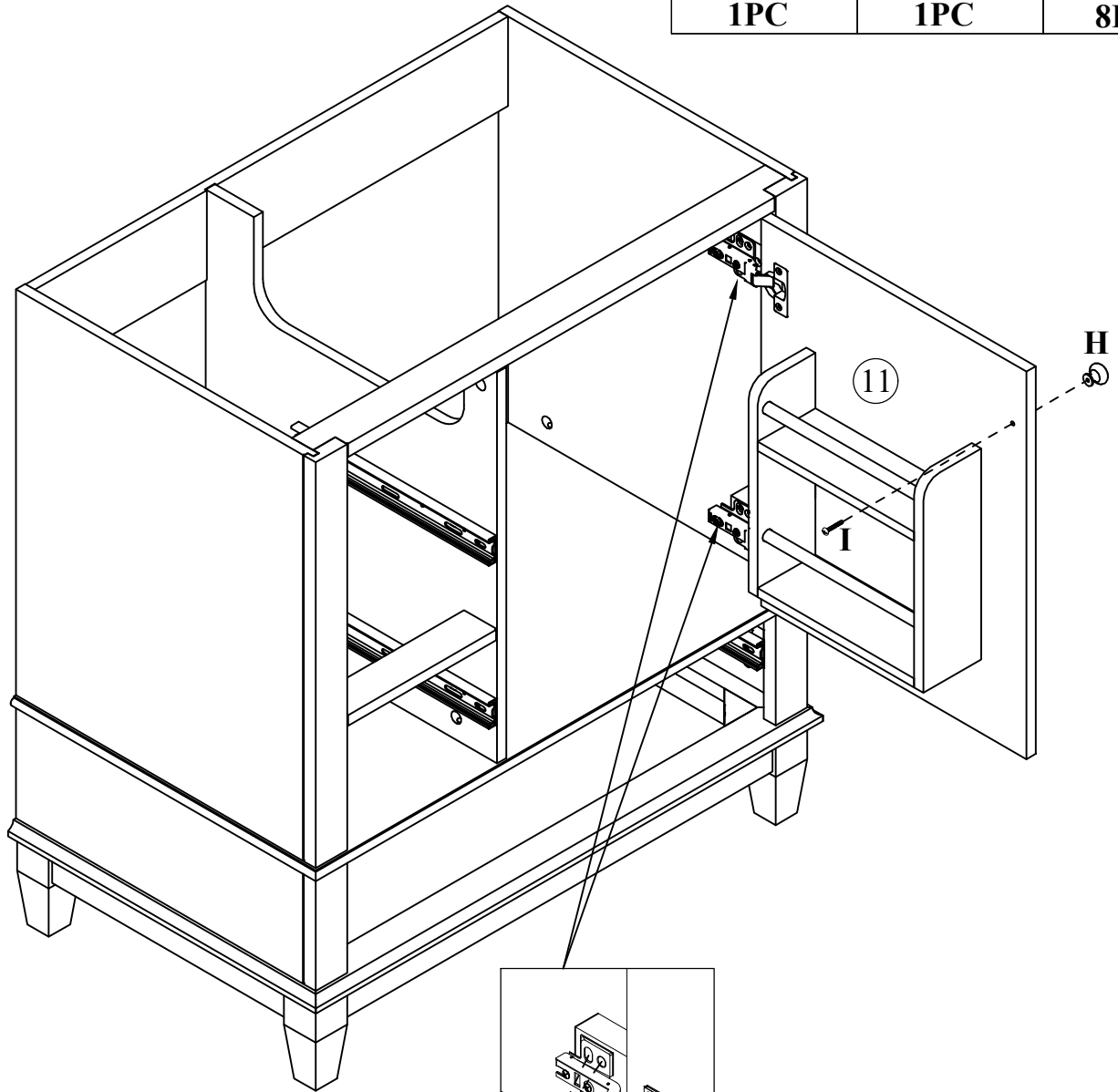
STEP: 12

B 	K 	L 	M 
8PCS	2PCS	4PCS	12PCS

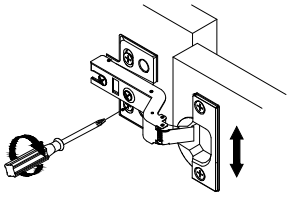


STEP: 13

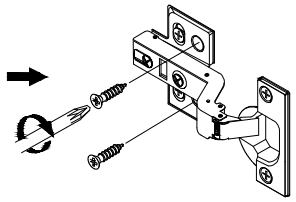
H 	I 	L 
1PC	1PC	8PCS



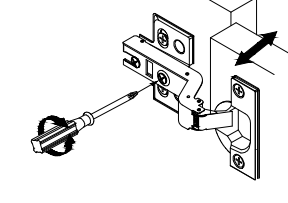
Use the screws to adjust up or down



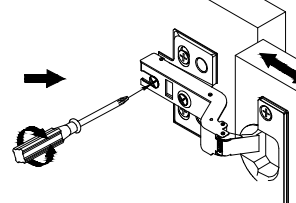
Use the screws to permanent




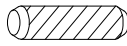

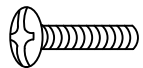
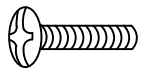
Use the screws to adjust left or right

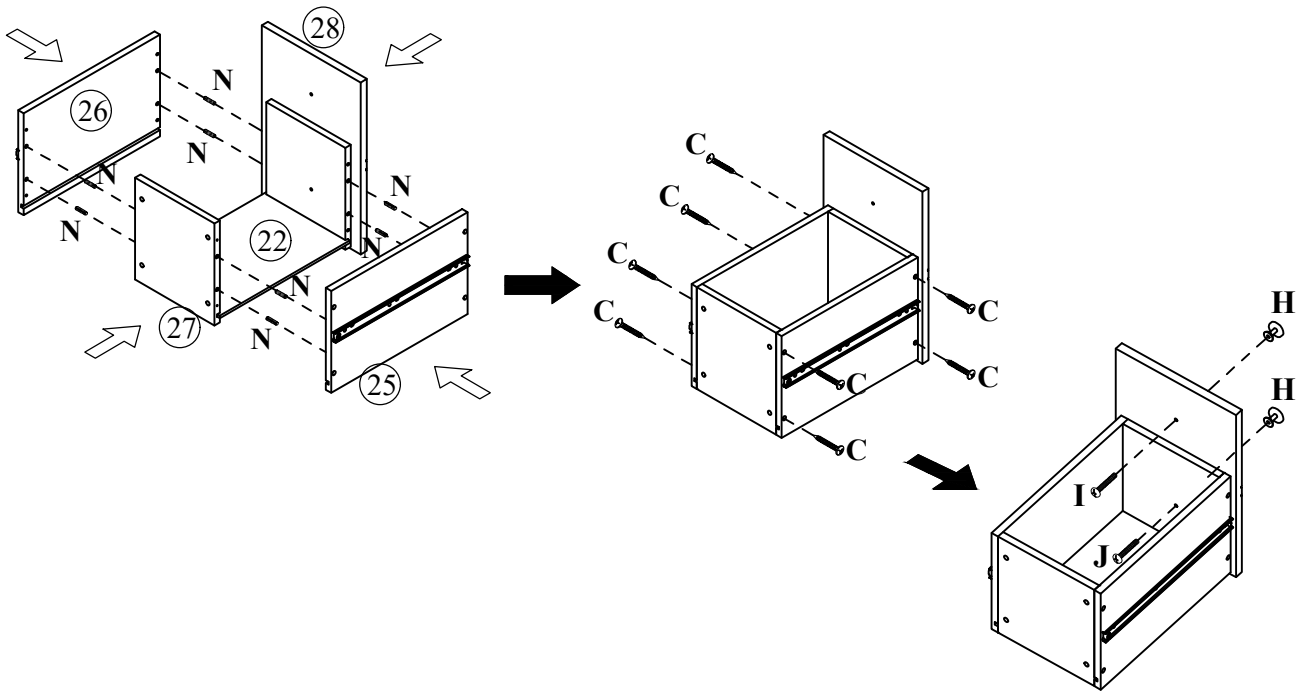


Use the screws to adjust in or out




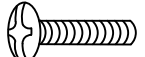


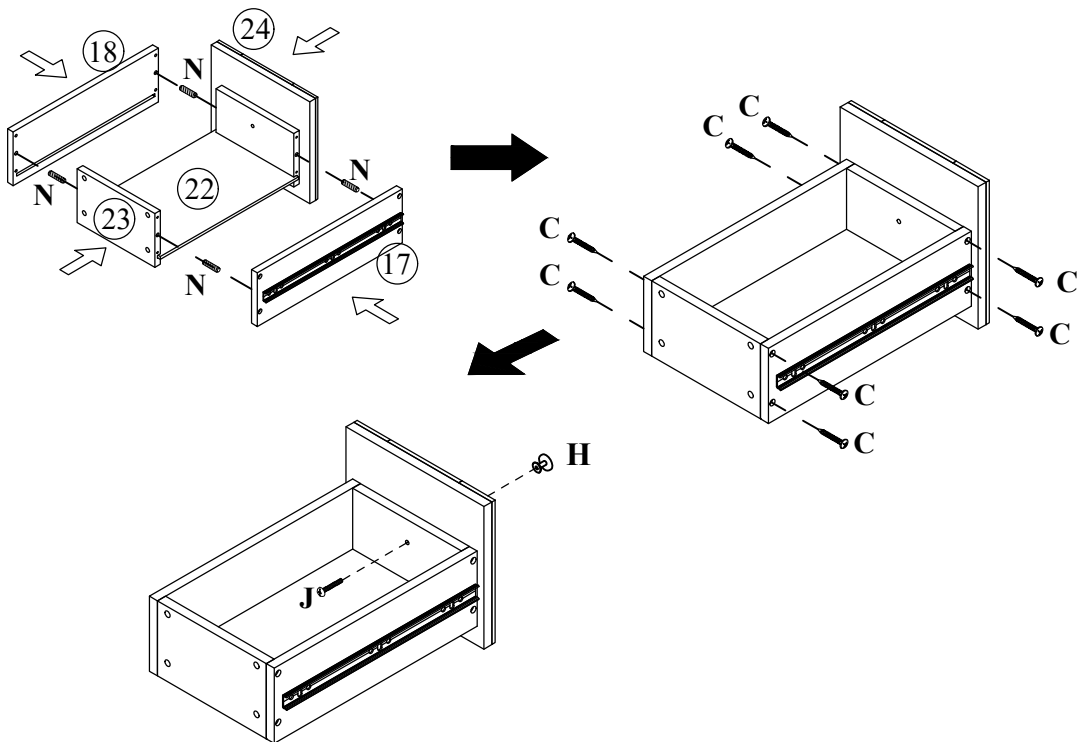
STEP: 14

C	N	H	I	J
				
8PCS	8PCS	2PCS	1PC	1PC

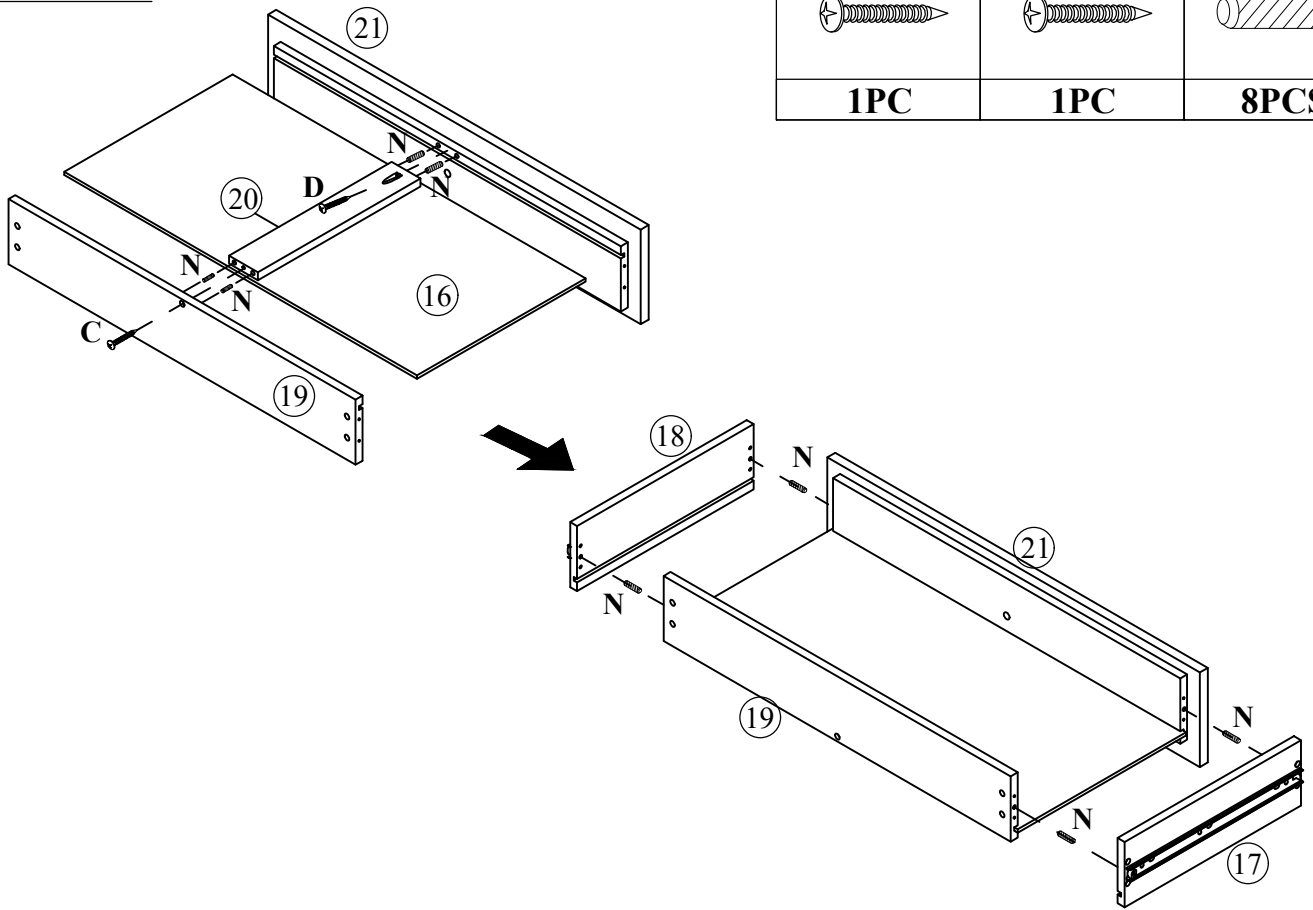




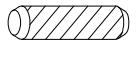
STEP: 15

N	C	H	J
			
4PCS	8PCS	1PC	1PC

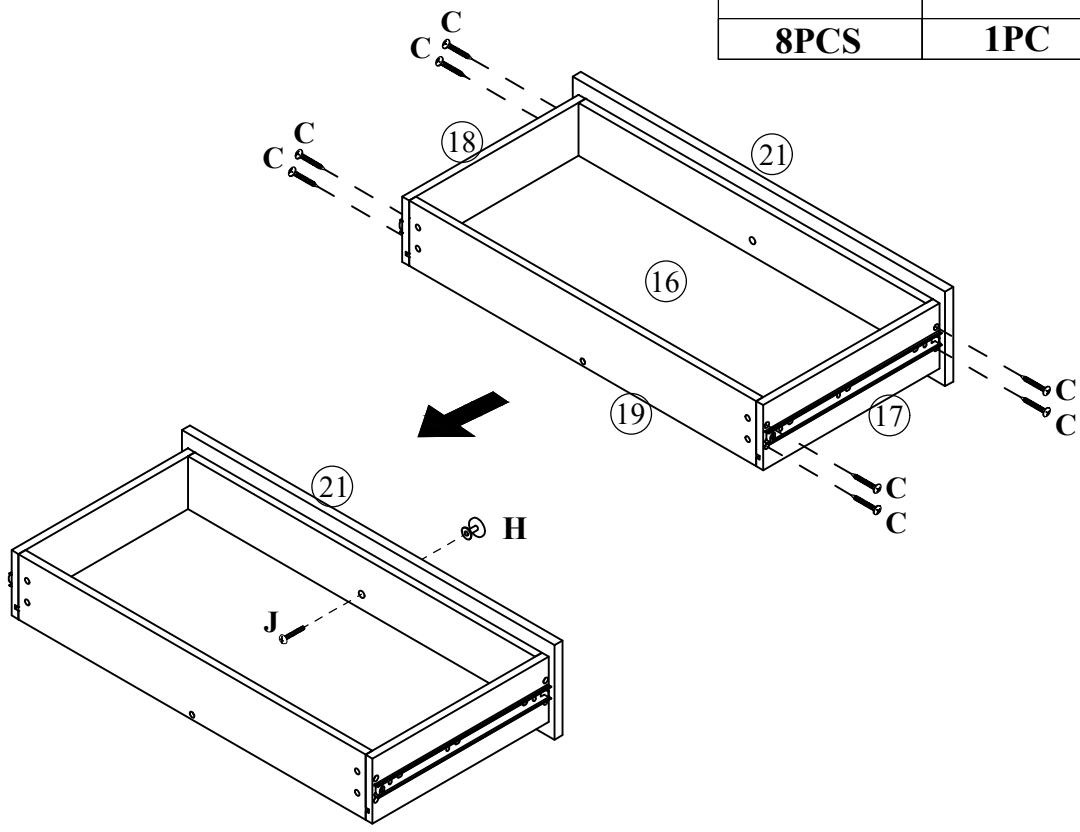


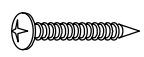

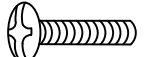
STEP: 16



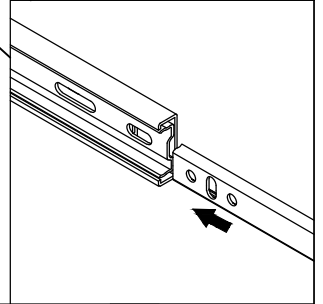
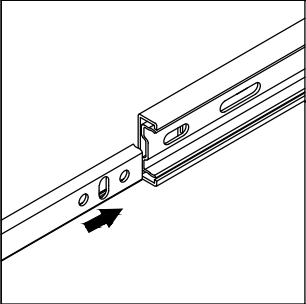
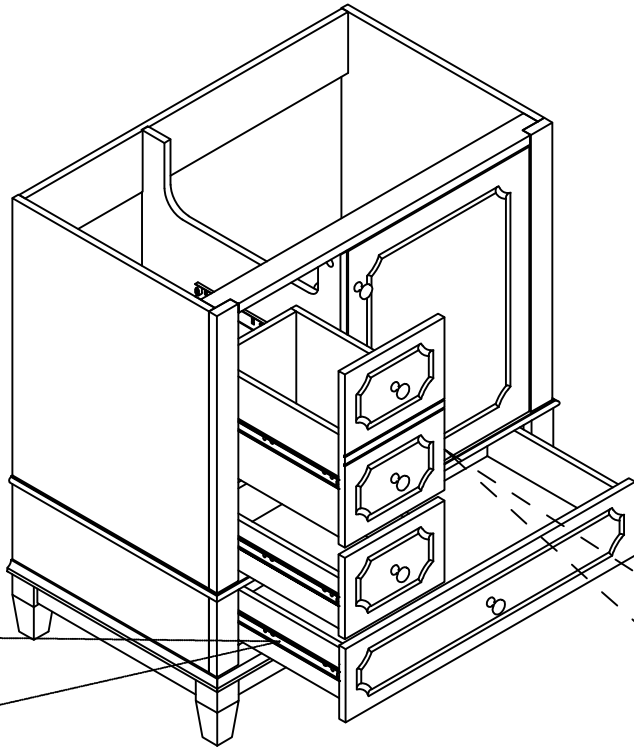
C	D	N
		
1PC	1PC	8PCS

STEP: 17

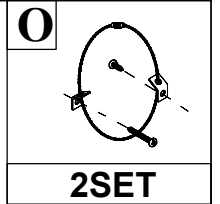
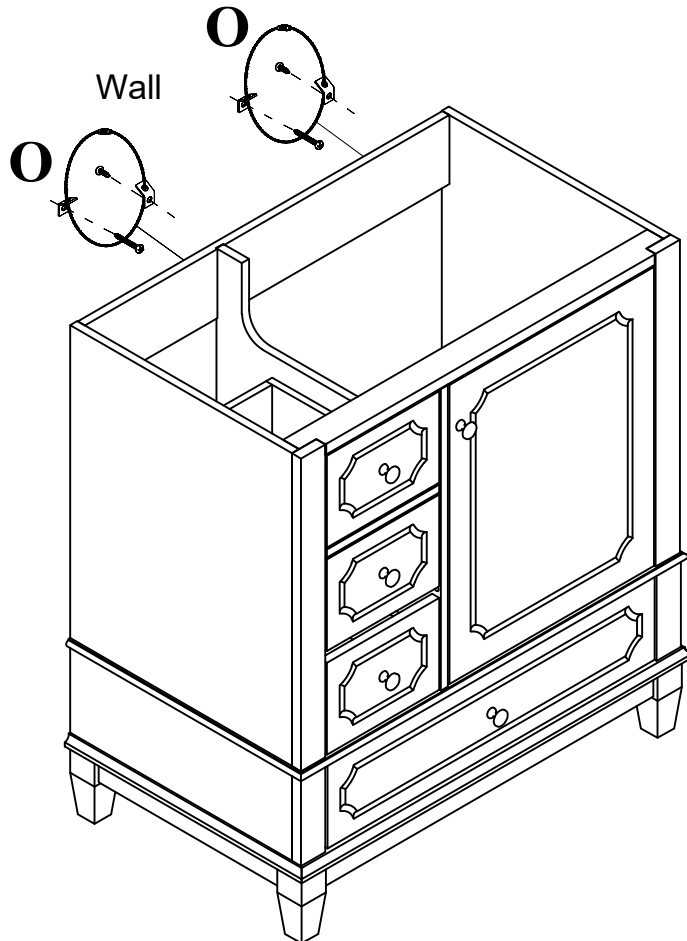


C	H	J
		
8PCS	1PC	1PC

STEP: 18



STEP: 19



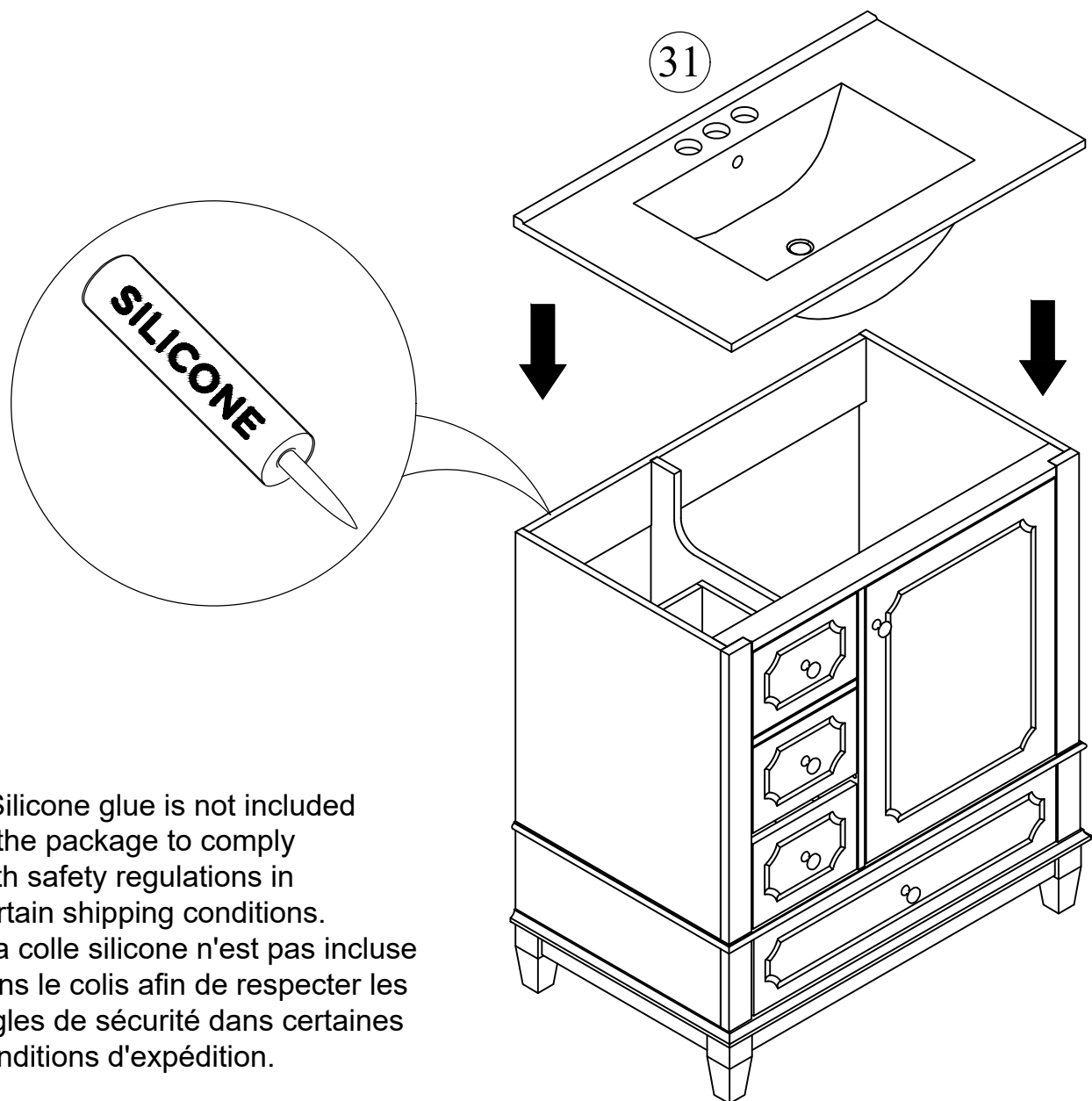
STEP: 20

Install the sink on the cabinet with glue.

Let stand for 24 hours

(Installez l'évier sur le meuble avec de la colle.

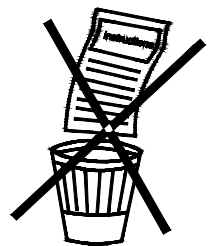
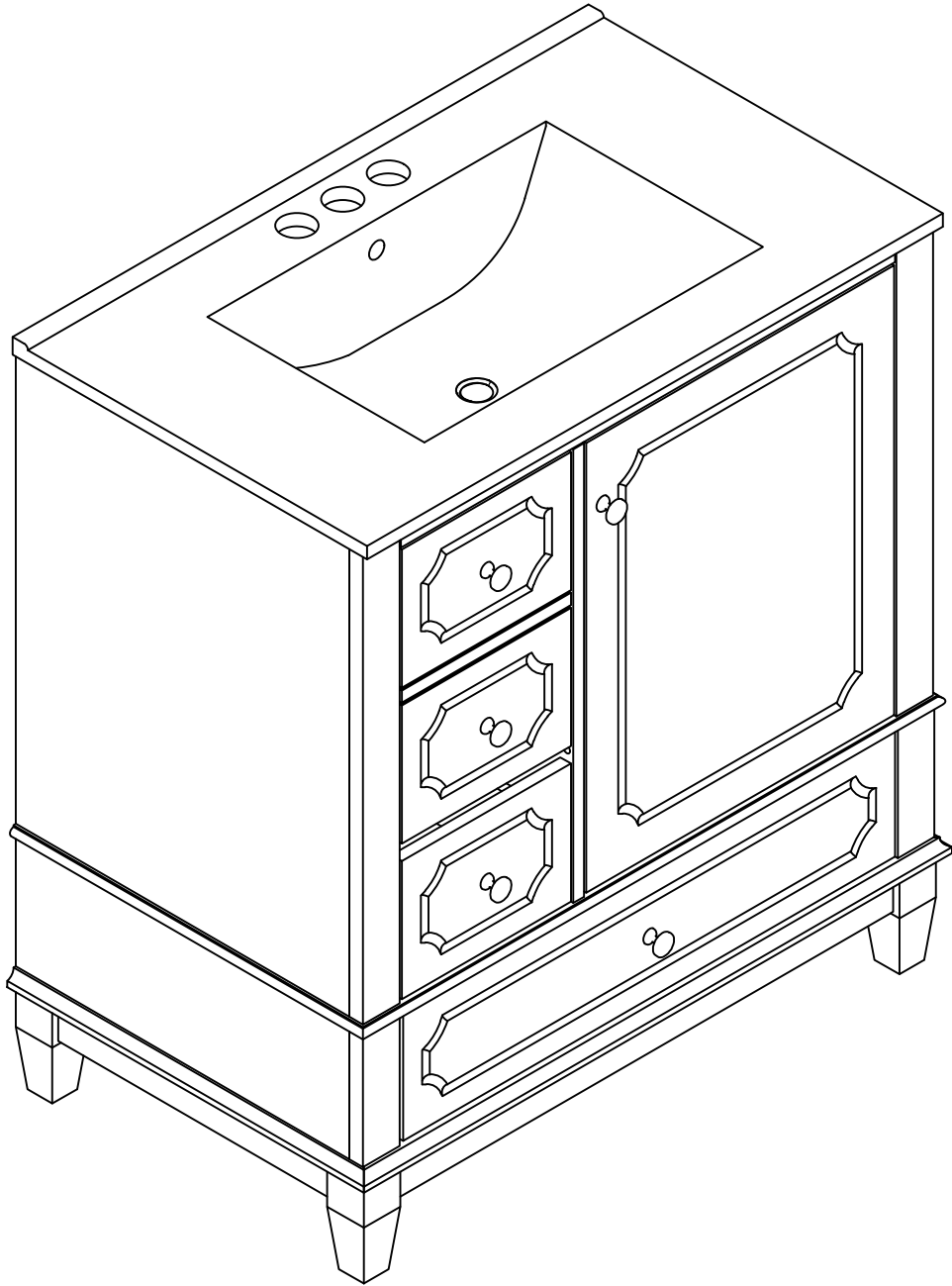
Laissez reposer 24 heures)



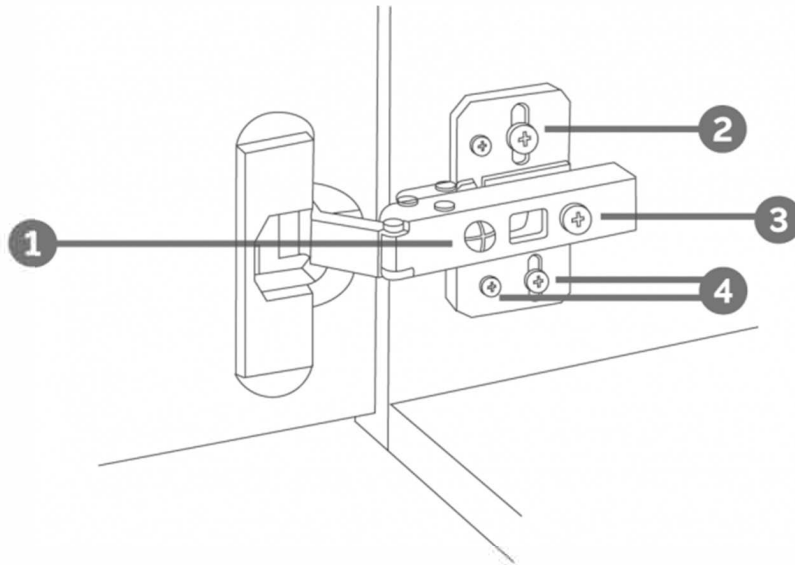
*Silicone glue is not included in the package to comply with safety regulations in certain shipping conditions.

*La colle silicone n'est pas incluse dans le colis afin de respecter les règles de sécurité dans certaines conditions d'expédition.

STEP: 21

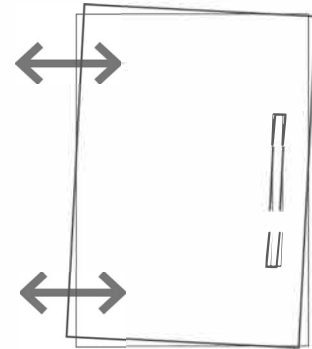


HINGE ADJUSTMENTS



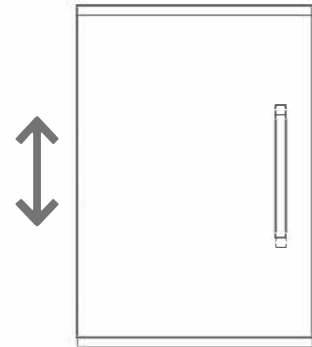
1 Sideways / Tilt adjustment

Turn the screw
clockwise to move the door further away from
the side of the cabinet
anticlockwise to move the door closer to the
side of the cabinet



2 4 Height adjustment

While supporting the weight of the door, turn the
screws
clockwise to move the door up
anticlockwise to move the door down



3 Forward and back adjustment

If the gap between the back of the door and the
cabinet is too small, and the door may not close
fully. Turn the screw
clockwise to decrease the gap between the
door and the cabinet
anticlockwise to increase the gap between the
door and the cabinet

