

Features

- Single lever handle allows for both volume and temperature control.
- KOHLER ceramic disc valves exceed industry longevity standards for a lifetime of durable performance.
- Temperature memory allows faucet to be turned on and off at the temperature set during prior usage.
- 1.2 gal/min (4.5 l/min) maximum flow rate [max at 60 psi (4.14 bar)].
- Includes metal pop-up drain with 1-1/4" tailpiece.
- 4-3/16" spout reach
- Red/blue indexing on handle
- Coordinates with Honesty faucets and showering components to complete your bathroom.

Material

- Premium Metal Construction.
- KOHLER finishes resist corrosion and tarnishing.

Installation

- For single-hole installation.
- Pre-attached flexible supply lines simplify installation.

Installed component/s: Flexible supply hoses.



ADA

CSA B651

OBC

Codes/Standards

ASME A112.18.1/CSA B125.1

NSF/ANSI 61

NSF/ANSI 372

All applicable US Federal and State material regulations

DOE - Energy Policy Act 1992

EPA WaterSense®

California Energy Commission (CEC)

ADA

ICC/ANSI A117.1

CSA B651

OBC

KOHLER® Faucet Lifetime Limited Warranty

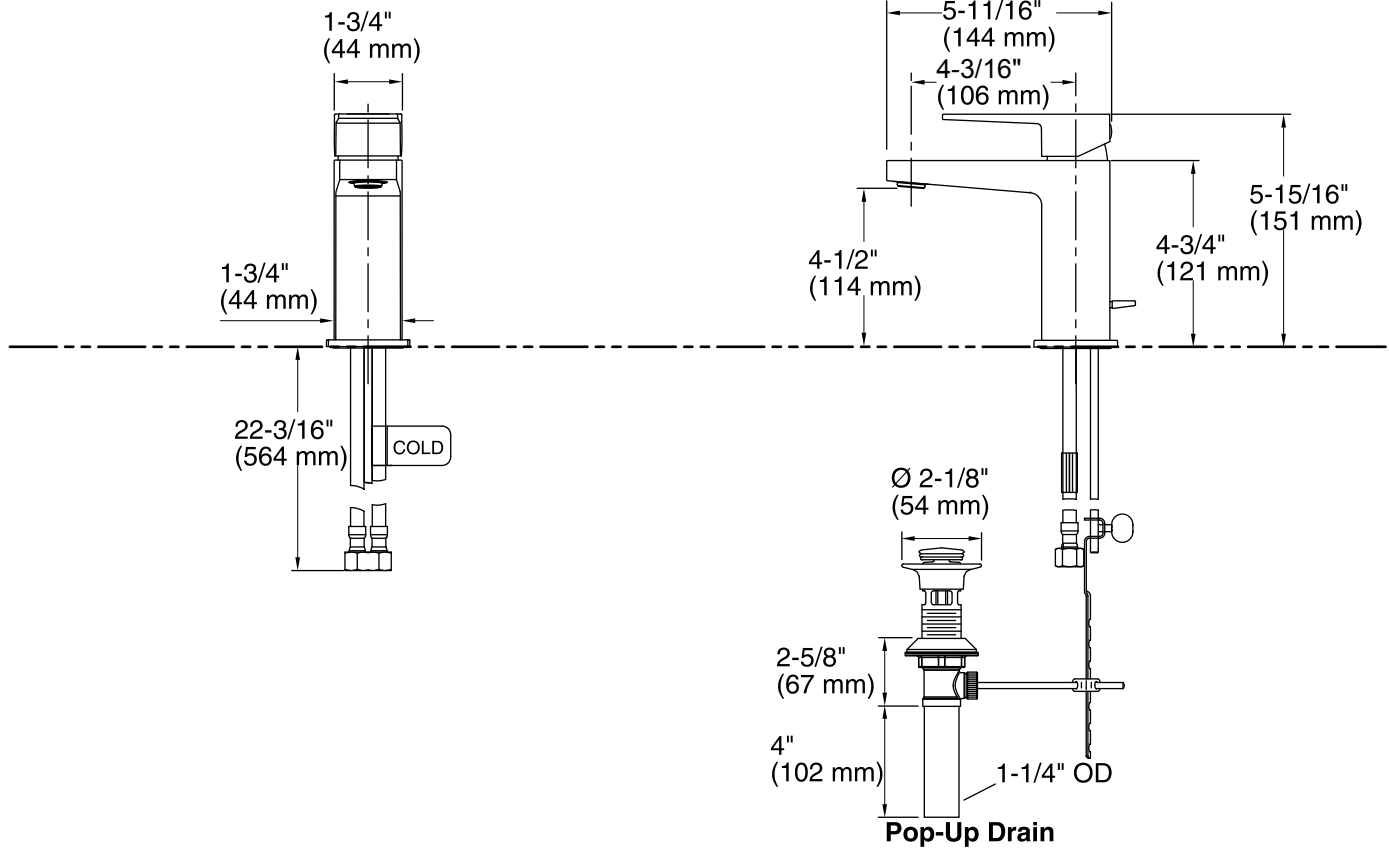
See website for detailed warranty information.

Available Color/Finishes

Color tiles intended for reference only.

Color Code Description

 CP Polished Chrome



Technical Information

All product dimensions are nominal.

Faucet:

| | |
|---------------------------|-------------------------|
| Flow rate: | 1.2 gal/min (4.5 l/min) |
| Valve body: | Plastic |
| Drain included: | YES |
| Drain with overflow: | YES |
| Drain tailpiece included: | YES |

Spout:

| | |
|-------------------|------------------|
| Spout reach: | 4-3/16" (106 mm) |
| Handle clearance: | 3-3/8" (86 mm) |

Notes

Install this product according to the installation guide.

ADA, OBC, CSA B651 compliant when installed to the specific requirements of these regulations.