

NE63A6711SS

SAMSUNG

Samsung Smart Freestanding Electric Range with Air Fry, Convection+ & Griddle

6.3 cu. ft. Capacity



Signature Features

Air Fry

- A healthier way to prepare your favorite fried foods right in your oven with little to no oil.* No preheating required. Air Fry tray included.

*As compared to deep frying.

Removable Non-Stick Griddle Included

- Grill your family's favorite foods with the griddle that is perfectly sized to fit the griddle burners.

Convection+

- Powerful Convection+ saves you time by cooking food fast and more evenly.

Available Colors

 Fingerprint Resistant Stainless Steel (shown)

 Fingerprint Resistant Black Stainless Steel



Air Fry



Removable Non-Stick Griddle

Features

- Stainless Steel Design
- Air Fry, Tray Included
- Removable Non-Stick Griddle
- Convection+
- Large Oven Capacity – 6.3 cu. ft.
- Extra Oven Settings - Bread Proof, Dehydrate, Favorite Cook, Keep Warm
- Storage Drawer

- Flexible Cooktop:
Five Burner Cooktop
 - One Triple Burner (6"/9"/12")
 - Two Bridge Burners
 - One Single Burner (6")
 - Warming Center

Convenience

- Wi-Fi
- Voice Control
- SmartThings Cooking
- Convection+
- Self & Steam Clean
- Hidden Bake Element
- Sabbath Mode
- Child Safety Lock
- Delay Start
- Auto Oven Light
- Kitchen Timer



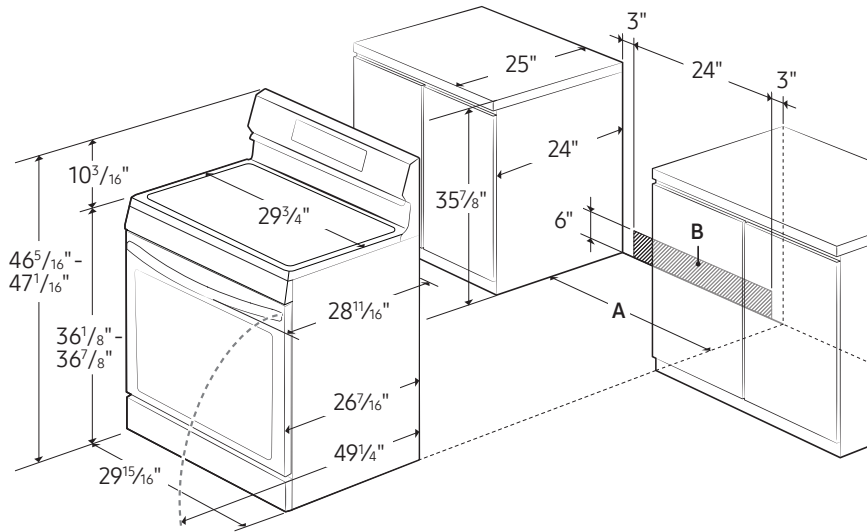
NE63A6711SS

SAMSUNG

Samsung Smart Freestanding Electric Range with Air Fry, Convection+ & Griddle

6.3 cu. ft. Capacity

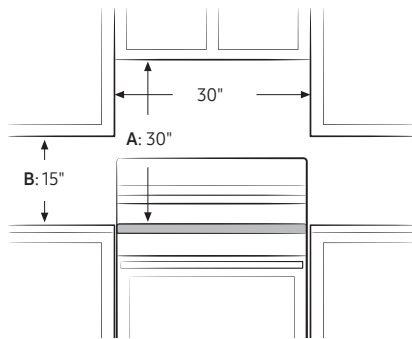
Installation Specifications



A: Cabinet opening min 30"

B: Acceptable electrical outlet area

IMPORTANT: If your cabinets are over 36³/₄" high, you must install this range on a hard, heat-resistant support that raises the surface of the range so that it is about even with the countertop.



A: 30" minimum clearance between the top of the cooking surface and the bottom of an unprotected wood or metal cabinet; or 24" minimum when the bottom of the wood or metal cabinet is protected by not less than 1/4" of flame retardant millboard covered with not less than no.28 MSG sheet steel, 0.015" stainless steel, 0.024" aluminum, or 0.020" copper.

B: 15" minimum between the countertop and the adjacent cabinet bottom.

IMPORTANT: Consult with Installation Manual for detailed instructions before installing. All ranges must be installed with the Anti-Tip device that is included.

Power Source

240V/208V/60 Hz/40A

Electric Ceramic Cooktop

- Right Front: 6"/9"/12" Triple Ring Burner, 3000 W
- Left Front: Griddle Burner, 1800 W
- Right Rear: 6", 1200 W
- Left Rear: Griddle Burner, 1800 W
- Center: Warming Center, 100 W

Oven

- Capacity: 6.3 cu. ft.
- Convection Element/Heater
- Convection Bake
- Convection Roast
- Bake
- Variable Broil: Low/High
- Air Fry
- Bread Proof
- Dehydrate

Warranty

One (1) Year Parts and Labor

Product Dimensions & Weight (WxHxD)

Oven Interior Dimensions:

24¹³/₁₆" x 22⁷/₁₆" x 19³/₄"

Outside Net Dimensions:

29¹⁵/₁₆" x 46⁵/₁₆"-47¹/₁₆" (Adjustable) x 28¹¹/₁₆"

Weight: 164 lbs

Shipping Dimensions & Weight (WxHxD)

Dimensions:

33¹/₁₆" x 50⁹/₁₆" x 30⁵/₁₆"

Weight: 187 lbs

Color

Fingerprint Resistant

Stainless Steel

Model

NE63A6711SS

UPC Code

887276509488

Fingerprint Resistant

Black Stainless Steel

NE63A6711SG

887276509464

