

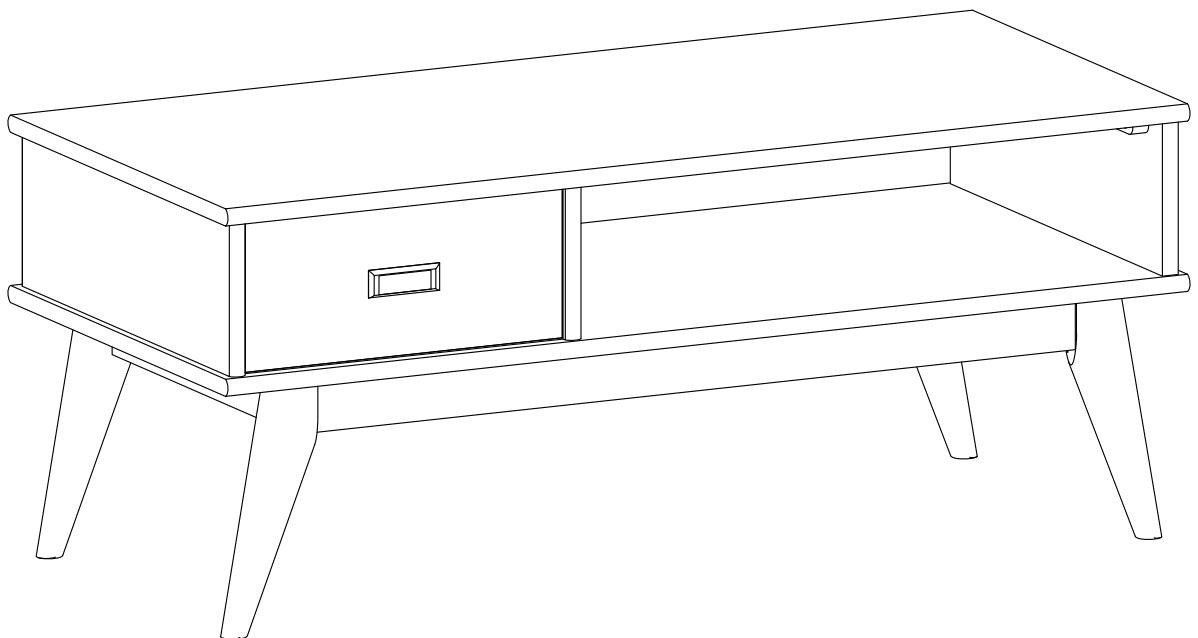
SIMPLI™
H O M E

WyndenHall™
HOME DECOR
brooklyn + max™

DRAPER / BAXTER / TIERNEY

COFFEE TABLE

MODEL # 3AXCDRP-01





DO NOT RETURN

FOR REPLACEMENT PARTS OR OTHER INQUIRIES

PLEASE CONTACT US AT:

[simpli-home.com/customer-support](https://www.simpli-home.com/customer-support)

PLEASE ENSURE TO HAVE THE MODEL #

FROM THE PACKAGING OR

INSTRUCTION BOOKLET

IMPORTANT : Please read this manual carefully before beginning assembly of this product. Keep this manual for future reference.

SAFETY INFORMATION

Identify all the parts and hardware. Do not discard of the packaging until you have checked that you have all of the parts and hardware required. Hardware package may have spare parts.

WARNING: This item contains small parts which can be swallowed by children and pets. Keep children and pets away during assembly. To avoid danger of suffocation, always keep plastic bags away from children and pets. We recommend that you assemble this unit on a carpeted floor to avoid scratches. We do not recommend the use of power tools for assembly as this could damage the unit. Only use manual tools.

May require 2 people for ease of assembly.

CARE and MAINTENANCE

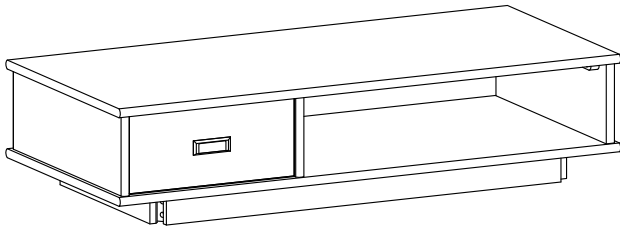
To clean, use a soft or slightly damp cloth, then wipe with a clean, dry cloth. Dust with soft dry cloth.

Do not use ammonia-based cleaning products, as they will damage the finish. Do not leave liquids or damp cloths on this furniture.

To avoid dulling of the finish, do not place furniture in direct sunlight. Please inspect and tighten all screws or bolts on a regular basis to ensure proper performance and safety of your item.

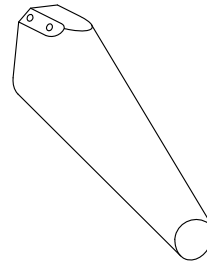
PART DESCRIPTION

A



TOP
QTY 1

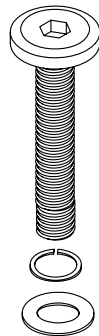
B



LEG
QTY 2 PAIRS

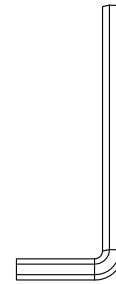
HARDWARE DESCRIPTION

1



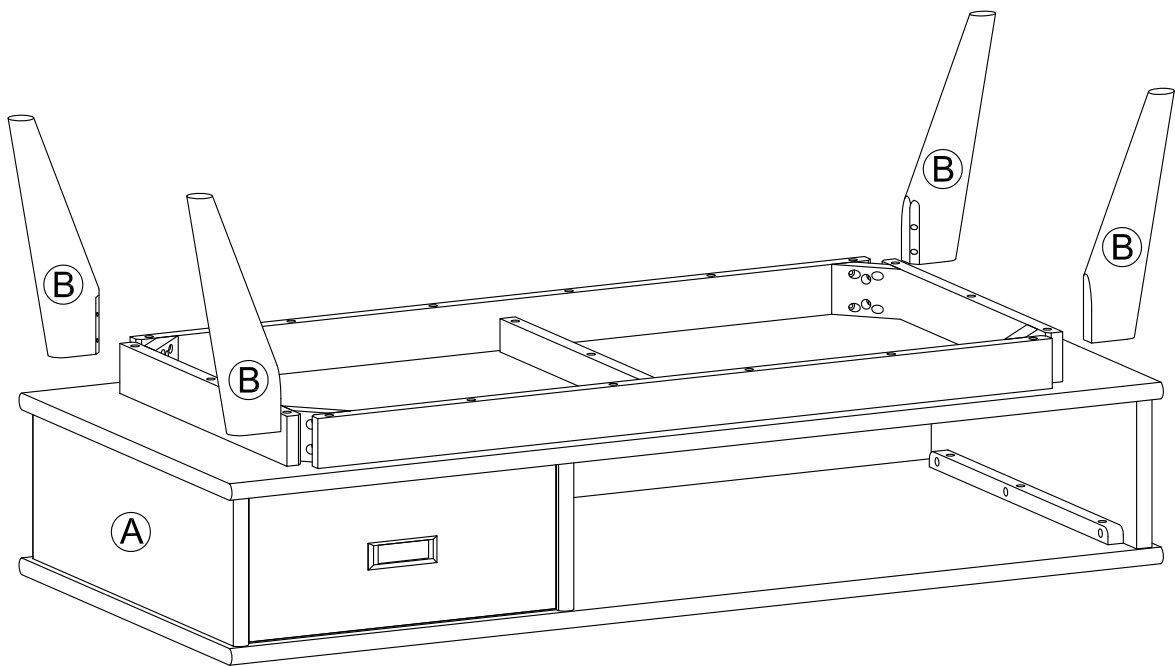
BOLTS AND WASHERS
M8 x 60 mm
QTY 8 SETS

2

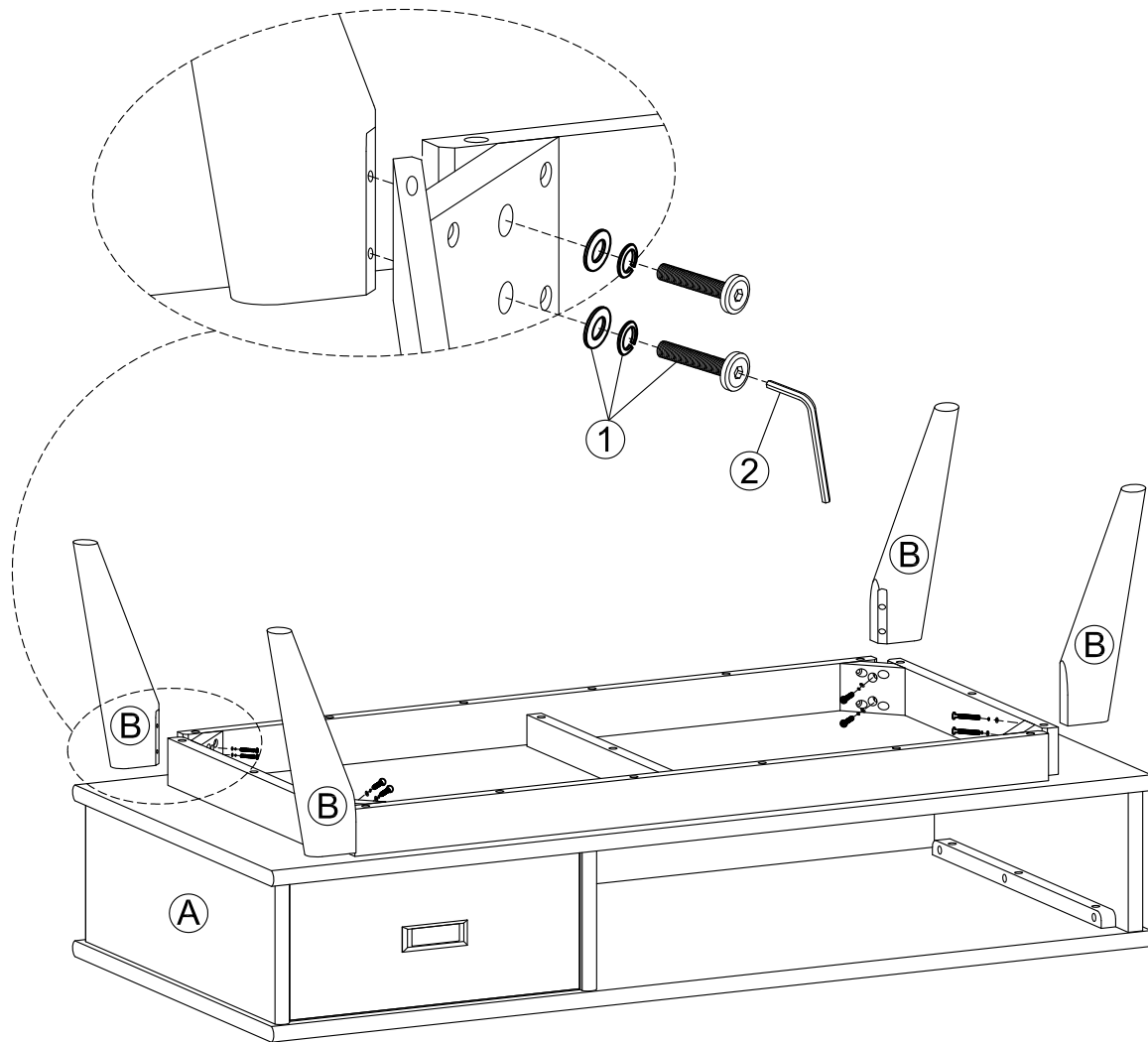


ALLEN KEY
QTY 1

NEED HELP? For help with assembly or if you are missing a part,
Please call customer service at 1-866-518-0120 ext. 262 (9 am to 5 pm EST)



STEP-1



1. Attach Legs (B) to Top (A).
2. Use 8 sets Bolts and Washers (1) to secure part (A) and (B) (2 sets on each Leg).
3. Use Allen Key (2) to tighten Allen Key Bolts. Do not over-tighten.



WARRANTY

Thank you for purchasing a **Simpli Home – Wyndenhall – Brooklyn + Max** product. These products have been made to demanding, high-quality standards and are guaranteed for domestic use against manufacturing faults for a period of 12 months from the date of purchase. This warranty does not affect your statutory rights.

In case of any malfunction of your product (failure, missing parts, etc.) please contact us at our toll free service line at 1-866-518-0120 ext. 262 from 9 am to 5 pm, Monday to Friday, Eastern Standard Time or by email at simpli-home.com/customer-support.

We reserve the right to repair or replace the defective product, at its discretion.

This product is guaranteed for 12 months if used for normal purposes. Any warranty is invalid if the product has been overloaded or subject to neglect, improper use or an attempted repair by other than an authorized agent. Heavy-duty or daily professional/commercial usage are not guaranteed.

Due to continuous product improvement, we reserve the right to change the product specifications without prior notice.

PLEASE NOTE: This item is hand-crafted and hand-finished with utmost care. As such, variations and imperfections should be expected and should be welcomed as the natural beauty of the wood.



Question, problems, missing parts?

Before returning please email Customer Support at
simpli-home.com/customer-support

or call

Customer Service at 1-866-518-0120 ext. 262
Monday to Friday between 9 am – 5 pm EST

For more information visit us on our website
www.simpli-home.com

Like us on facebook
www.facebook.com/simplihomefurnishings

SIMPLI[™]
H O M E

Wynden Hall[™]
HOME DECOR
brooklyn + max[™]

**ENTER
TO WIN**

Upload an image of our furniture in your home with a short review to our facebook page and have a chance to

**Win your choice of any one of
Simpli Home furniture pieces
Free!!!**

www.facebook.com/simplihomefurnishings

(draws monthly – shipping included)

(vanities not included)

