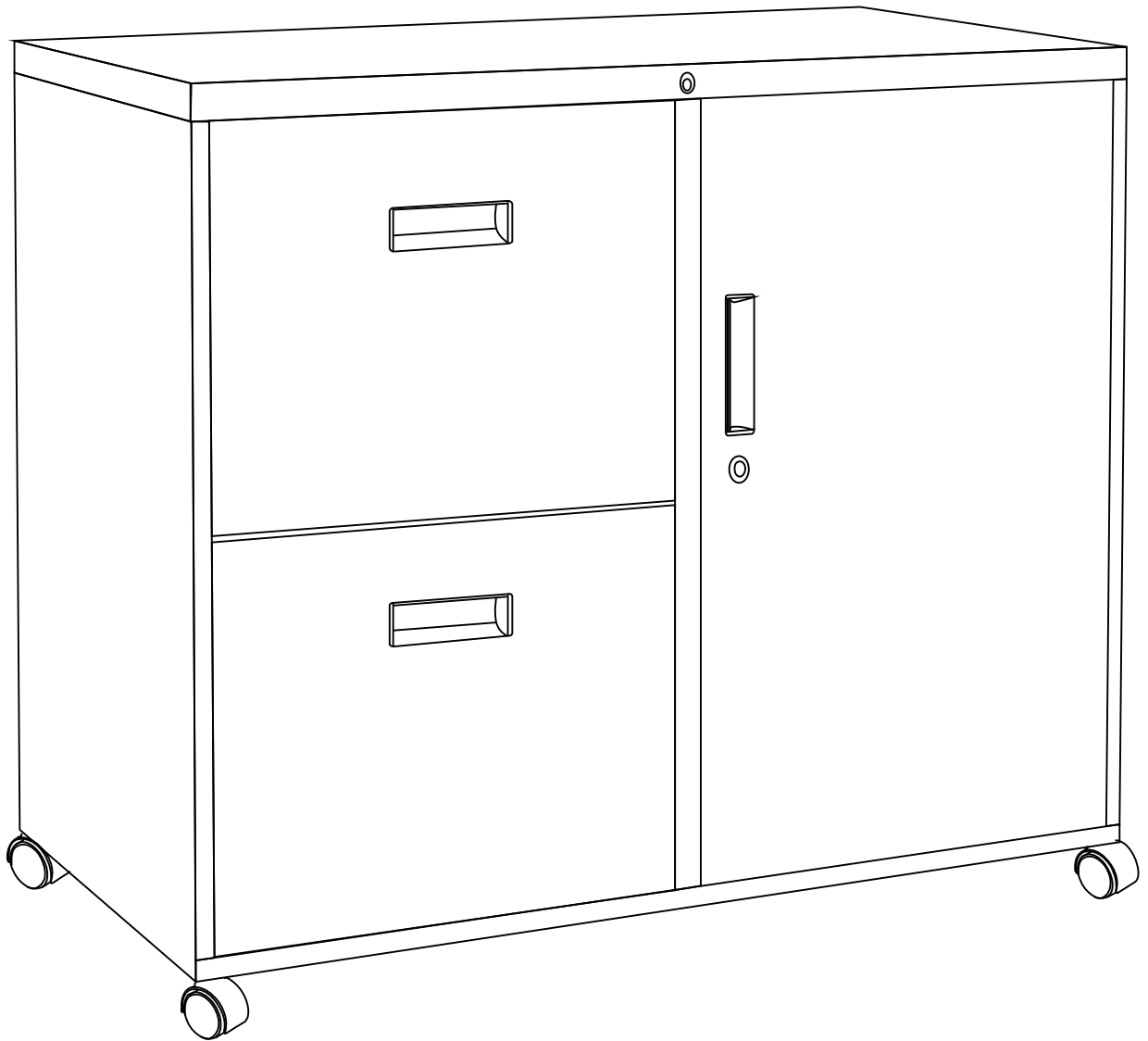
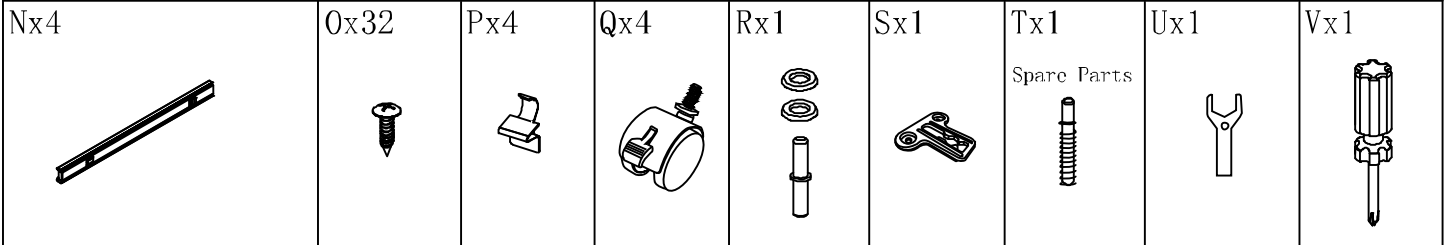
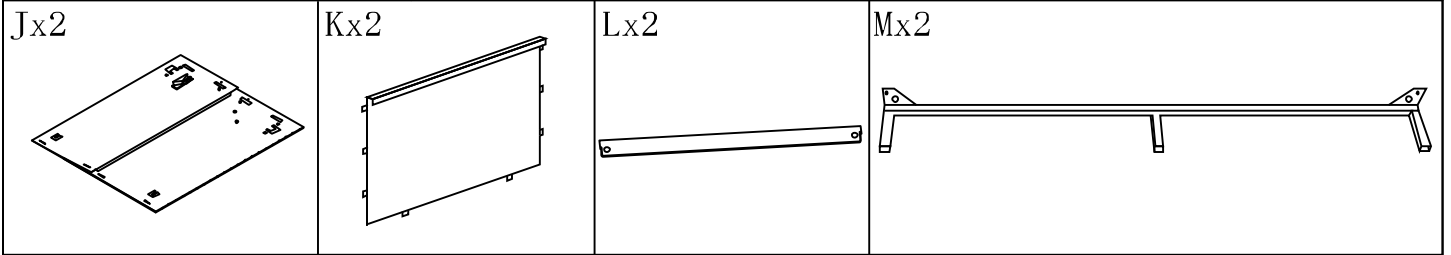
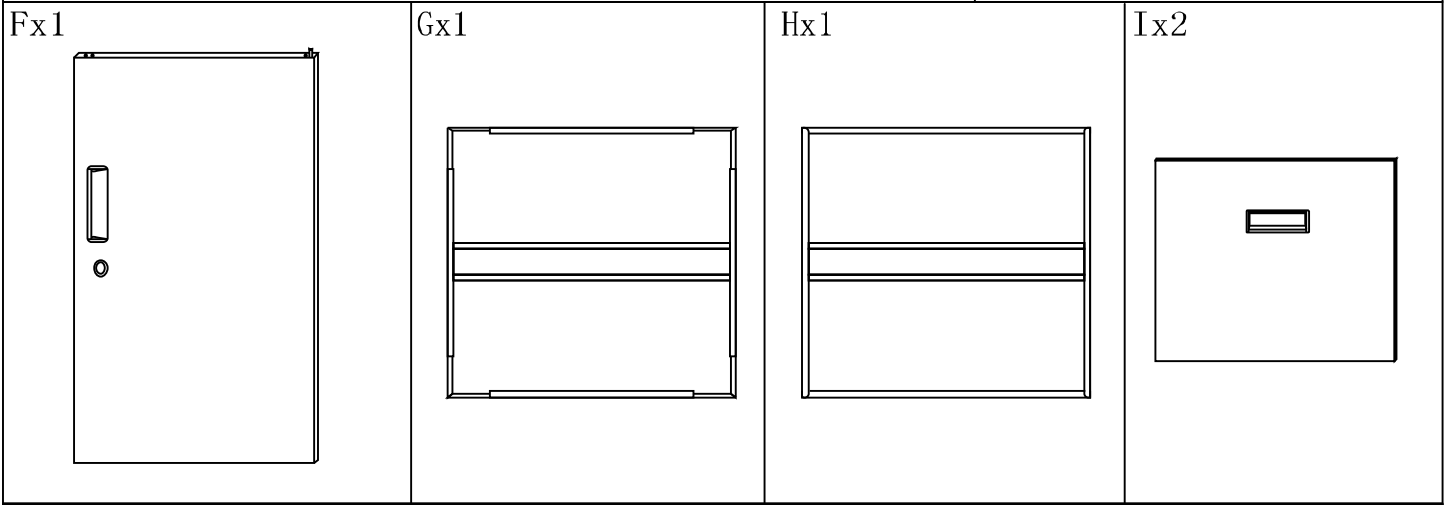
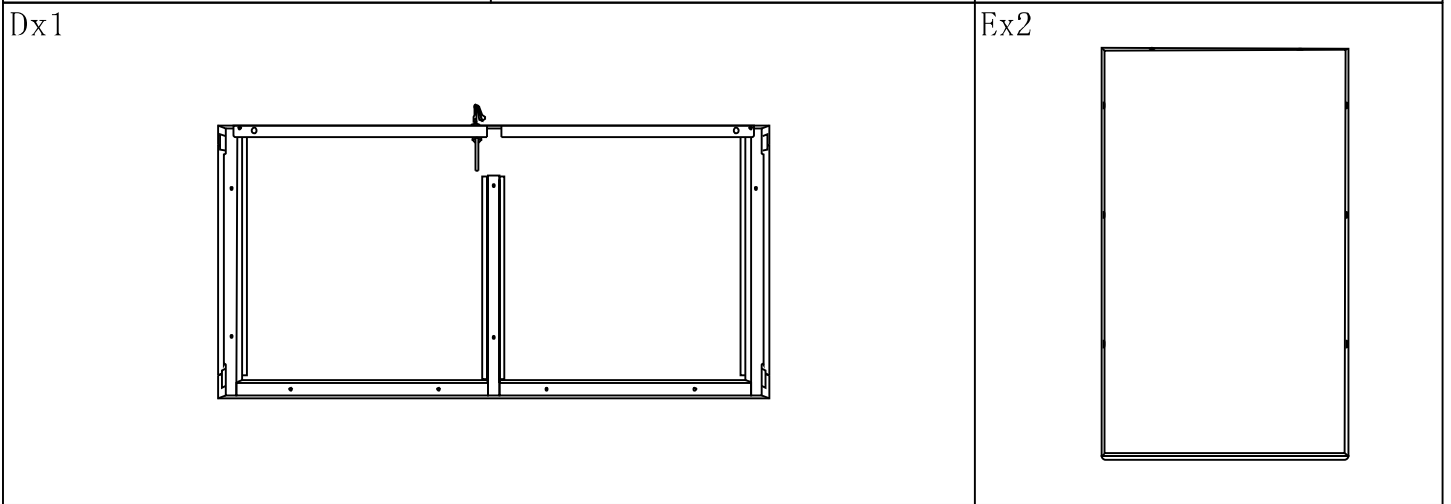
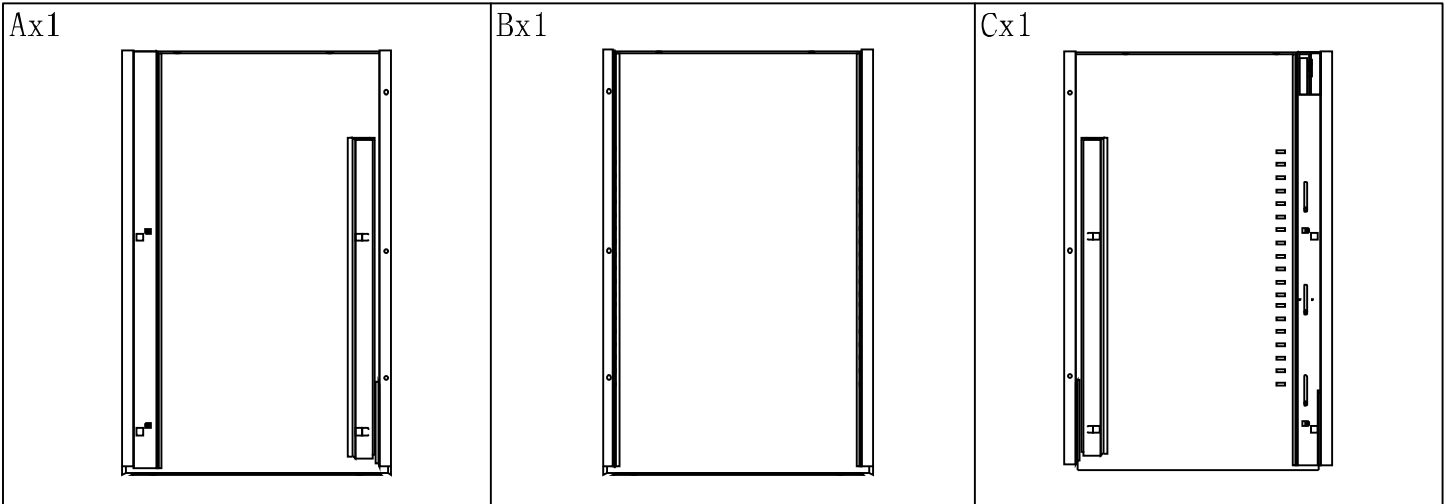
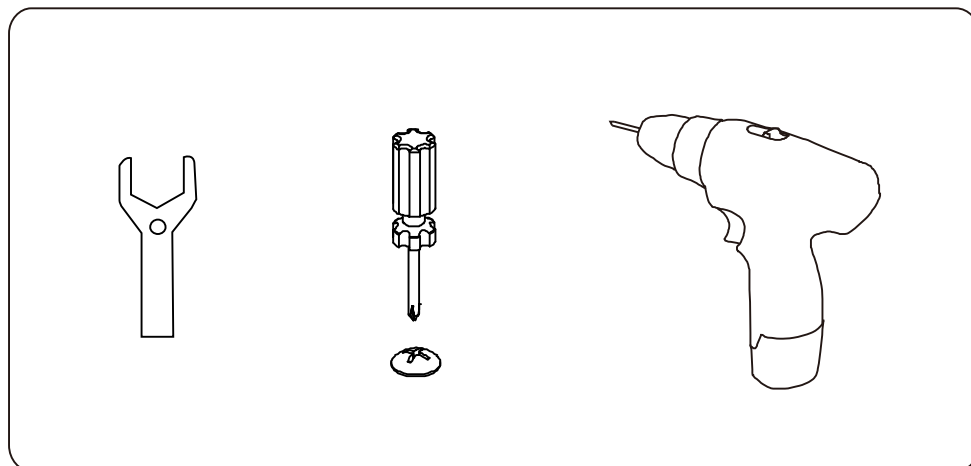
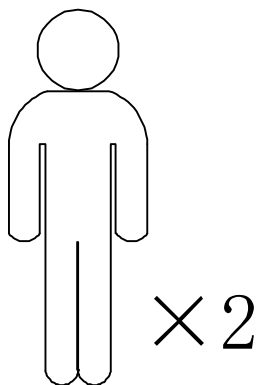


Metal File Cabinet





TOOL REQUIRED



NOTE: Before you start assembling, please count the parts according to the parts list, if you find any missing, contact the store customer service in time to send the parts.

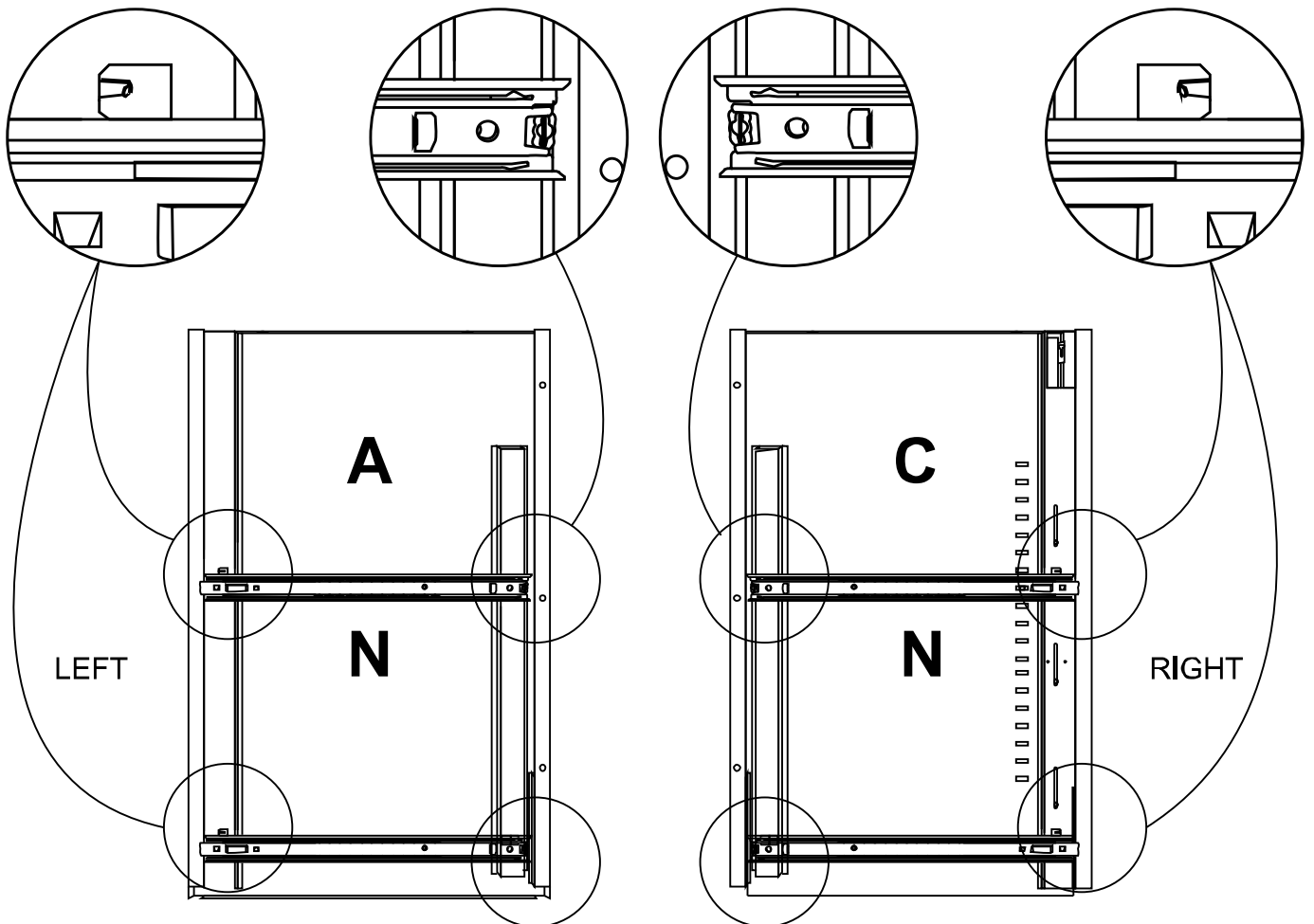
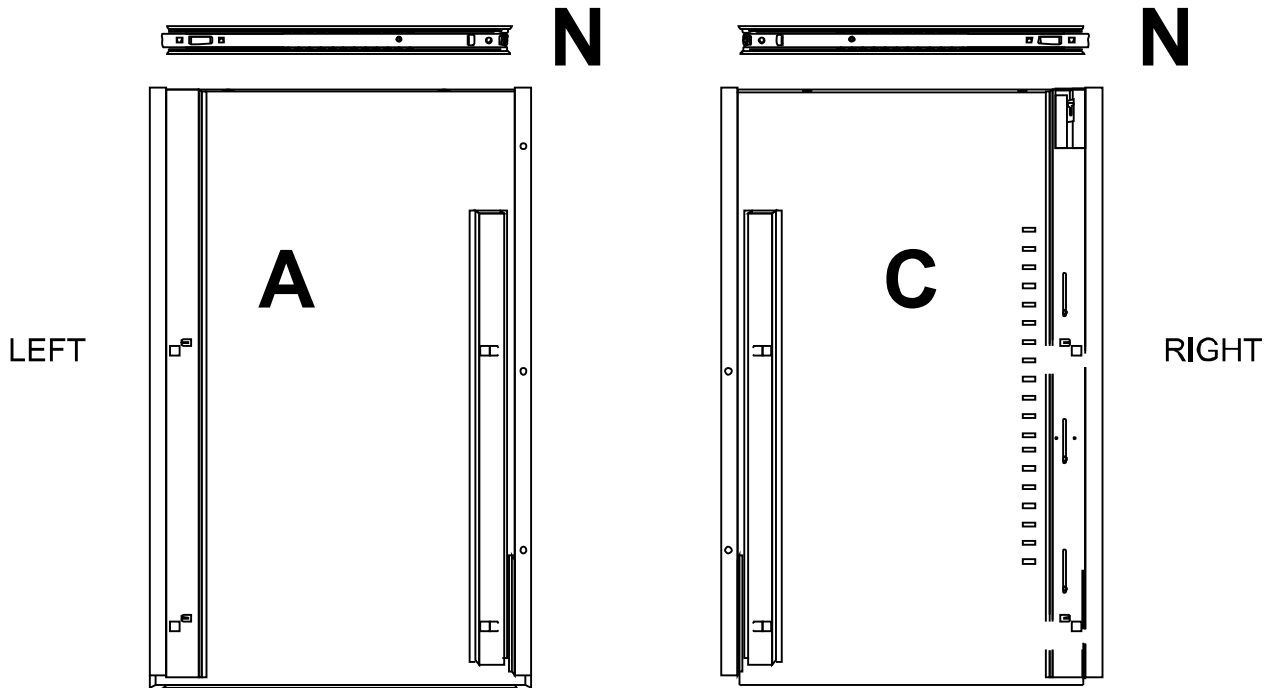
1

I: Attach Slide Rails N to Plate A and Plate C .

Plate A: Push the horizontal snap on Slide Rail N horizontally into the square hole on the right side of Plate A in the illustration, and then insert the longitudinal snap longitudinally downward into the left side of Plate A.

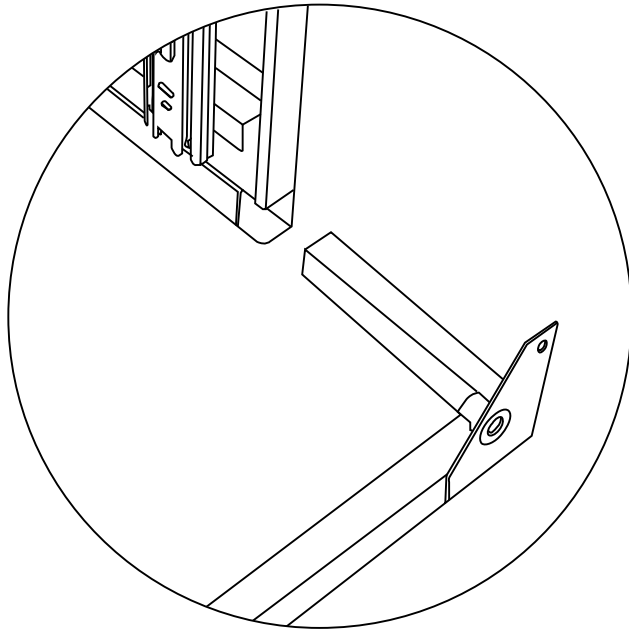
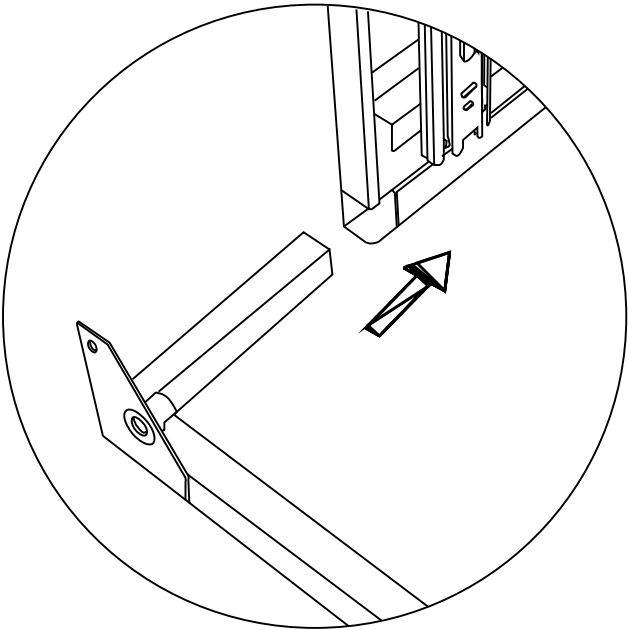
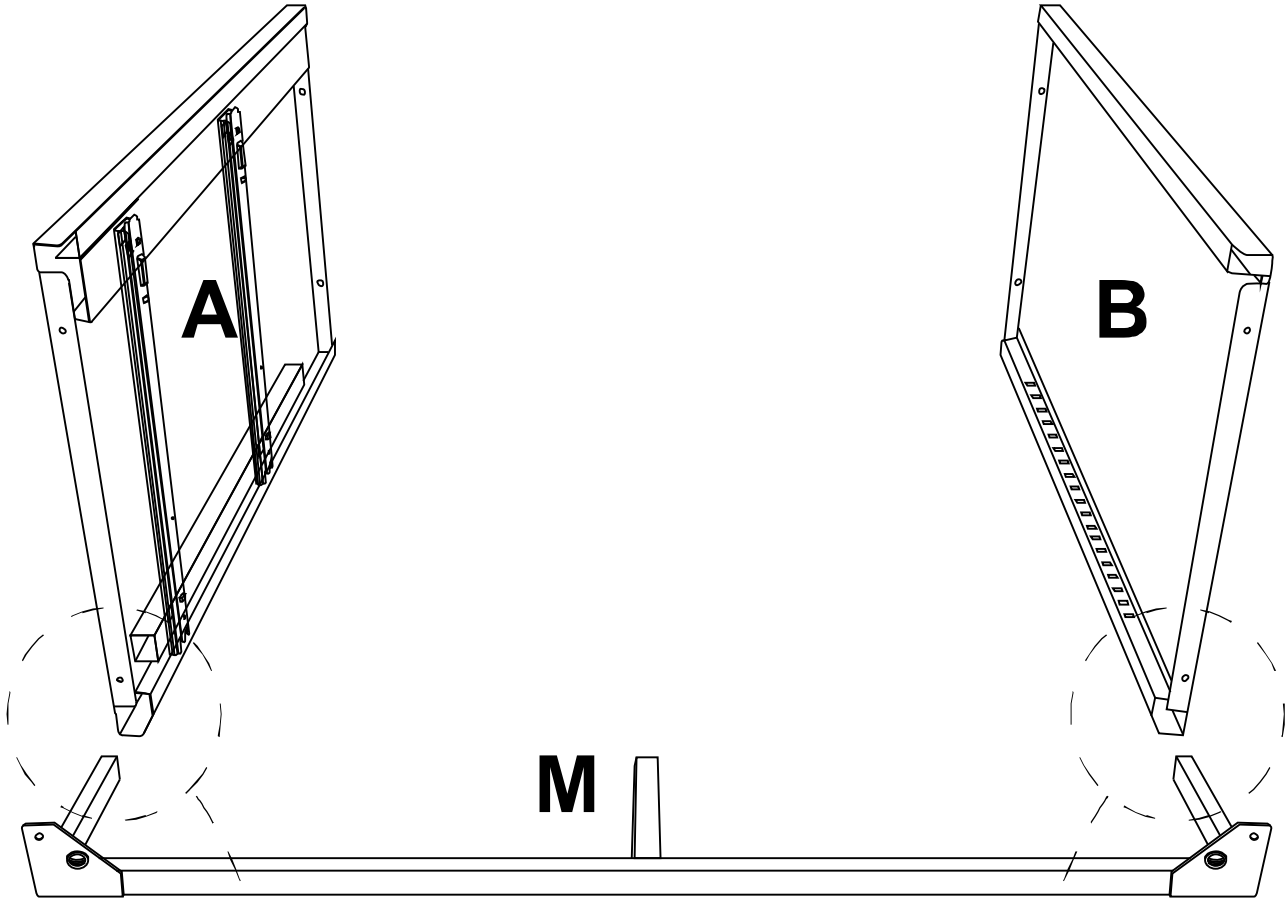
Plate C: Push the horizontal snap on Slide Rail N horizontally into the square hole on the left side of Plate C in the illustration, and then insert the longitudinal snap longitudinally downward into the square hole on the right side of Plate C.

NOTE: After Slide Rails N are installed, fold the iron tabs on Plate A and Plate C above the Slide Rails N toward Slide Rails N. This serves to hold Slide Rails N in place.



2

II: Attach two Iron Frames M to the bottom of Plates A and B. Hold Plates A and B horizontally upright as shown in the figure. Insert the two square iron tubes at the ends of the Iron Frames M into the square holes of Plates A and B.

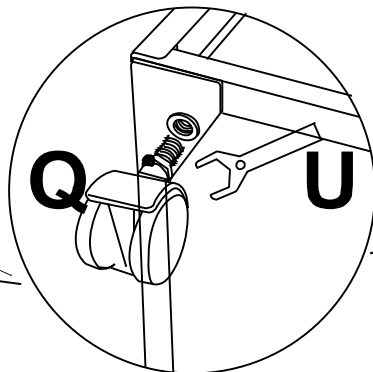
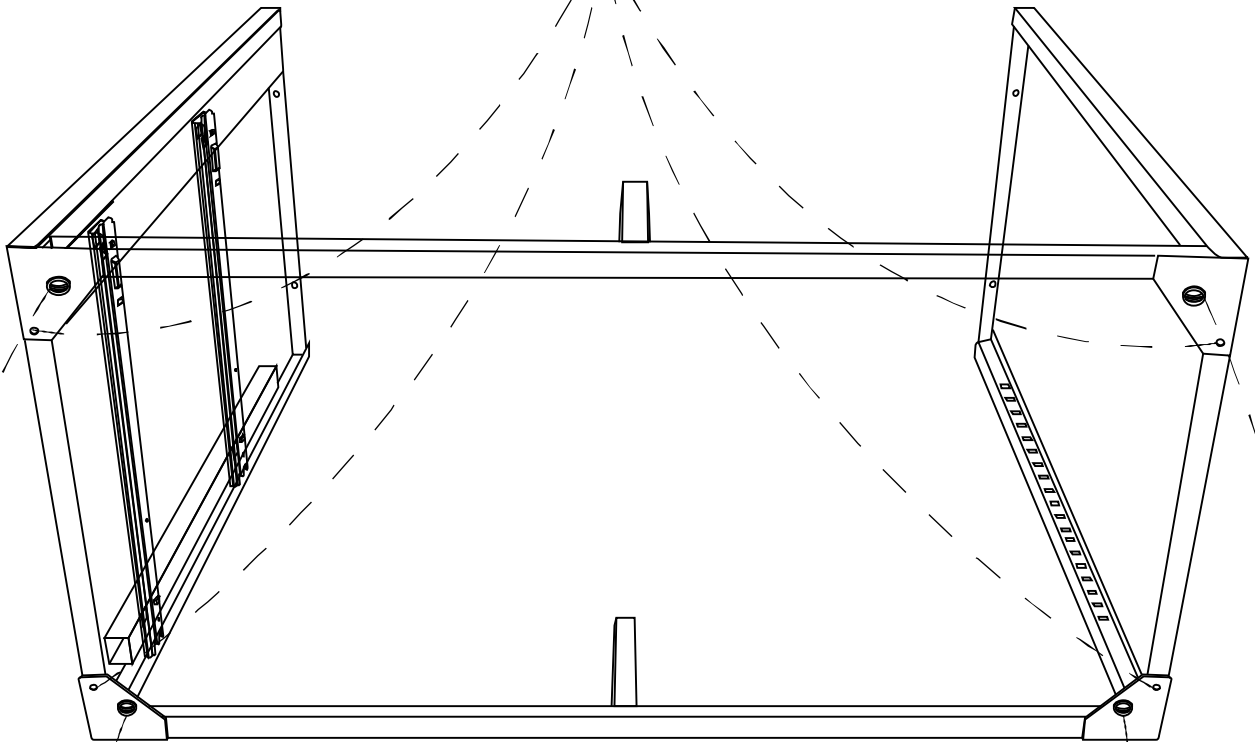
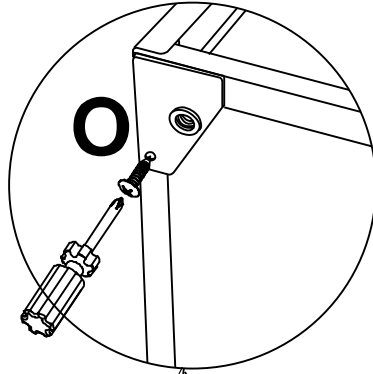


3

III: Install Screws O*4 and Wheels Q*4 on the bottom of Iron Frame M.

Screw Screws O*4 on the four small round holes on the bottom of Iron Frames M and Wheels Q*4 on the large round holes.

NOTE: Use Wrench U to turn the flat head screws on the wheels instead of turning the wheels directly.



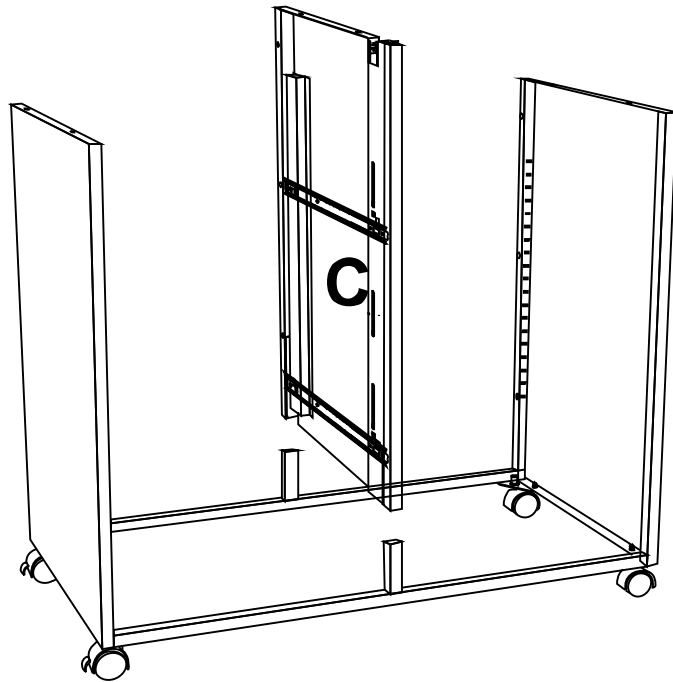
Ox4 Qx4

4

IV: Stand up the already assembled frame and install Plate C.

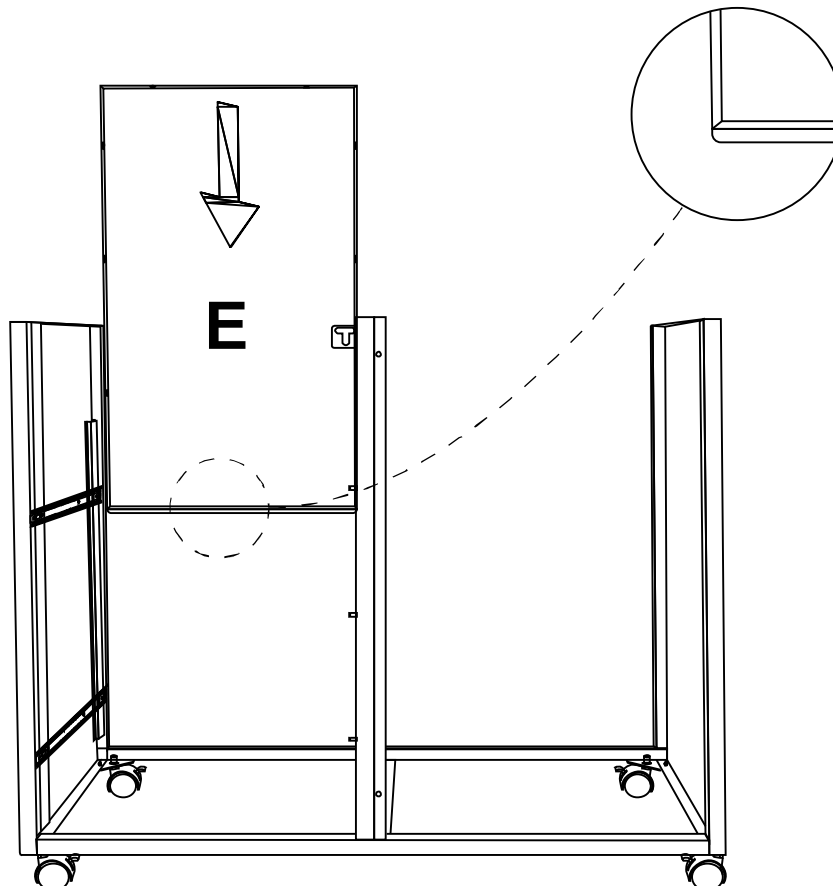
Stand up the already assembled frame.

First, place the face of Plate C fitted with slide rails against the face of Plate A fitted with slide rails, then align the square holes under Plate C with the two square iron tubes in the center on Iron Frames M. Finally, set Plate C down.



5

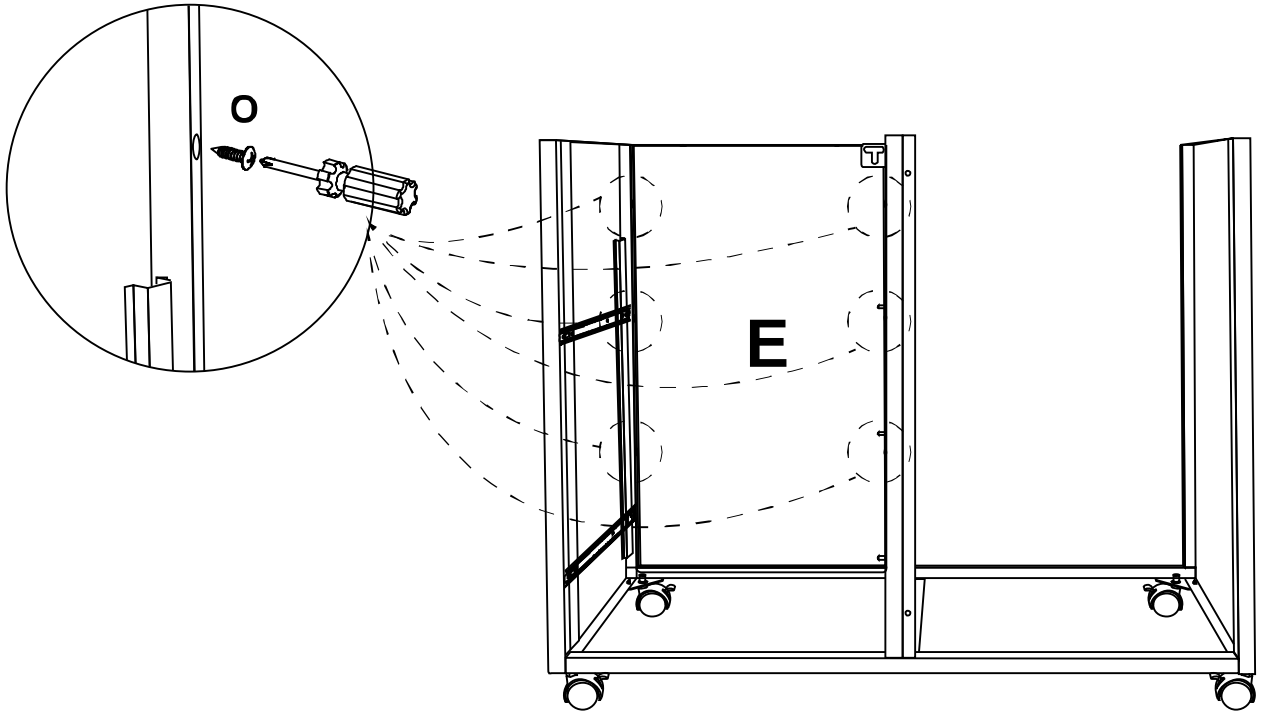
V: Snap groove of Plate E onto Iron Frame M.



6

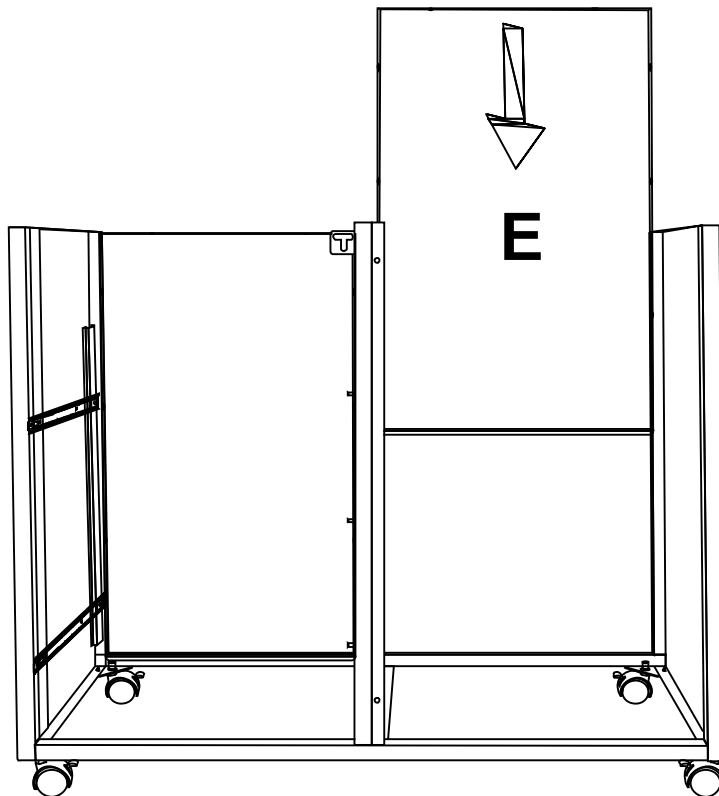
VI-VIII: Secure Plate E.

The holes on the two edges of Plate E are aligned with the holes on the edges of Plates A and C and the edges of Plates C and B. Screw on the Screw O to secure Plate E. A total of 12 Screws O will be required to secure the two Plates E.

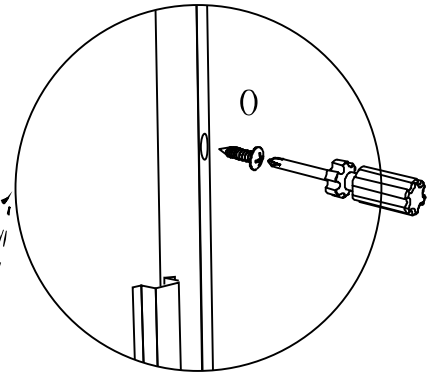
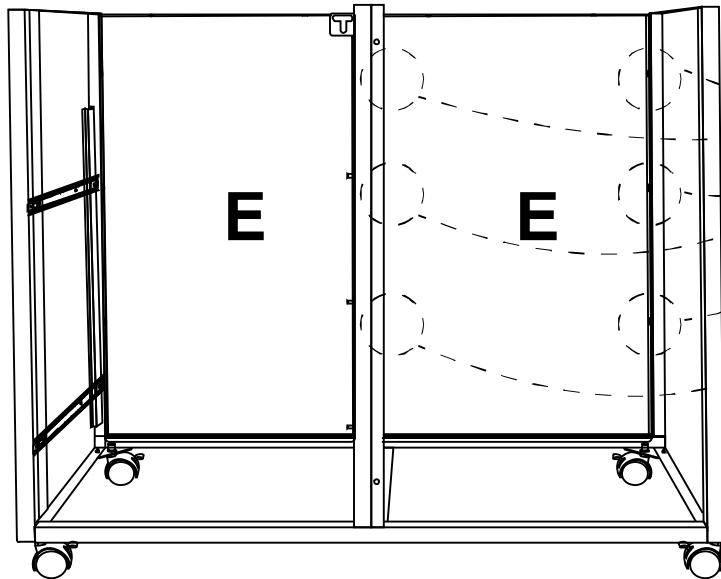


Ox6

7



8



Ox6

9

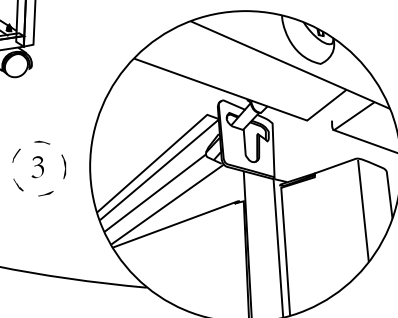
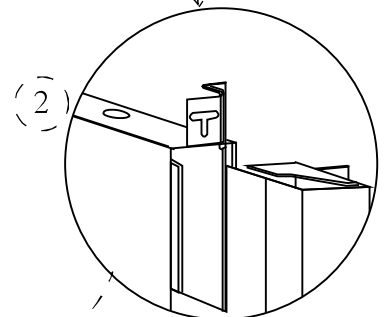
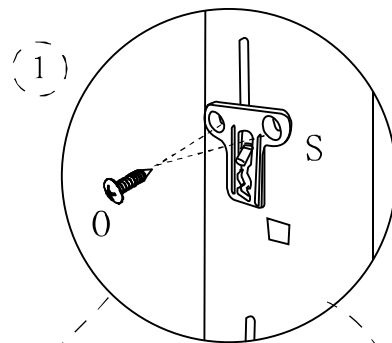
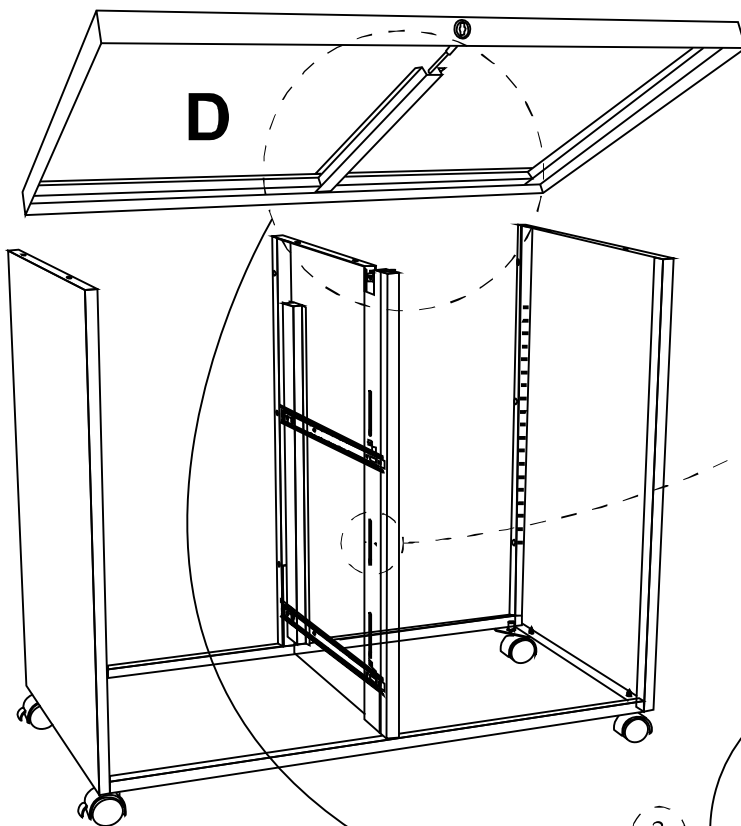
IX: Attach the Lock Lever Rest S and Plate D.

Secure the Lock Lever Rest S to the position in Step 1 with 2 Screws O.

Lift the lock bar on Plate C so that the T-shaped hole in Step 2 is lifted up.

Pass the lock cylinder at the back of the keyhole on Plate D through the T-hole first, and then put down Plate D.

NOTE: Note the position of the round holes above Plates A, C, B, and E.

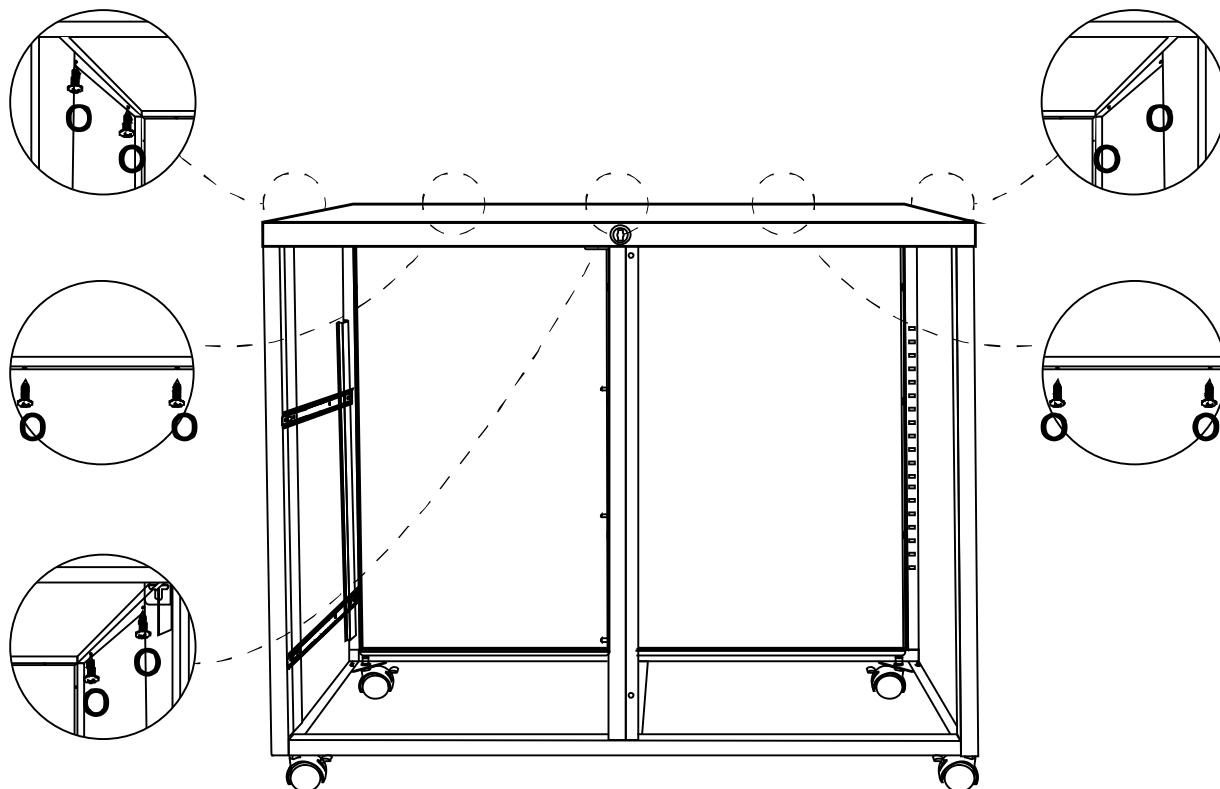


Ox2 Sx1

10

X: Secure Plate D above Plates A, C, B, and E.

Secure Plate D from the bottom up by passing Screws O through the round holes above Plates A, C, B, and E. A total of 10 Screw O's are required for this procedure.



O×10

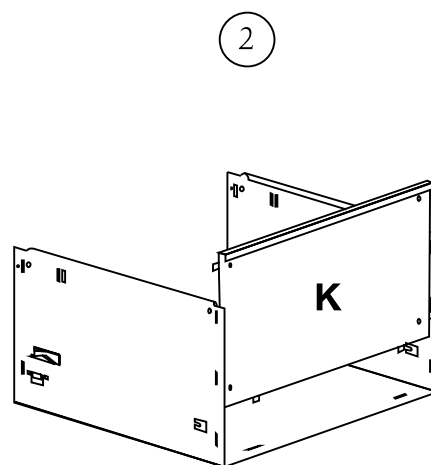
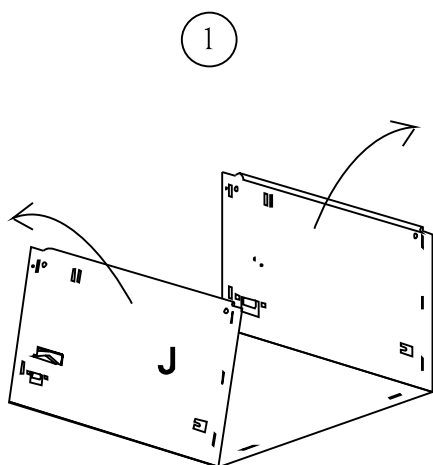
11

NOTE: To avoid breaking the Plate J, do not fold the Plate J repeatedly.

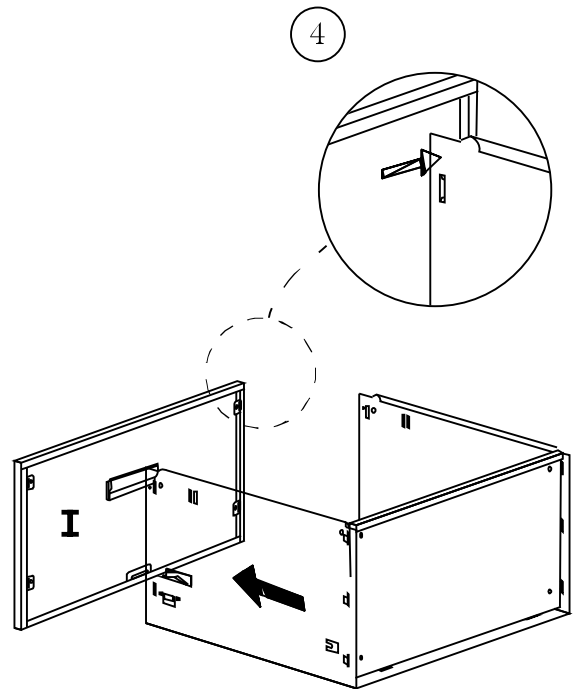
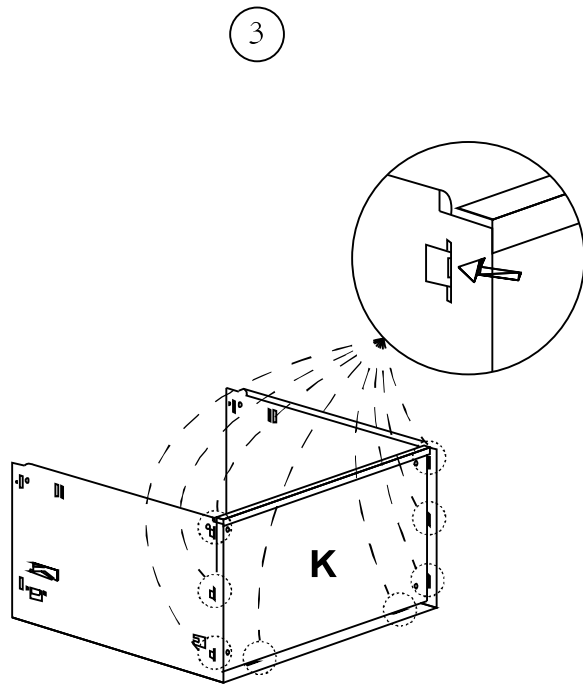
XI: Assembling the drawers.

① Unfold Plate J as shown.

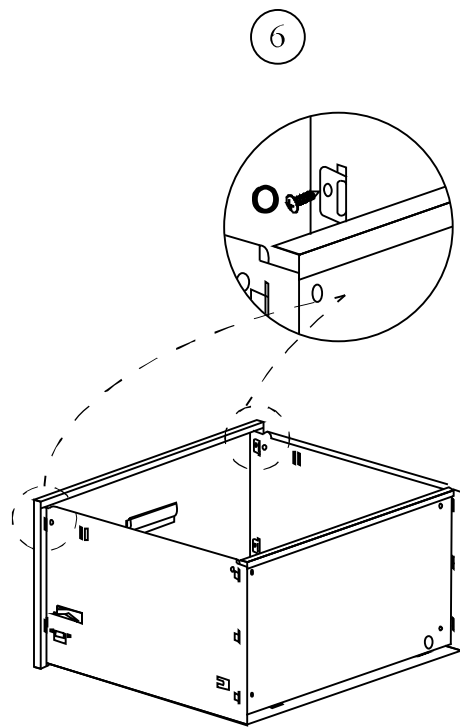
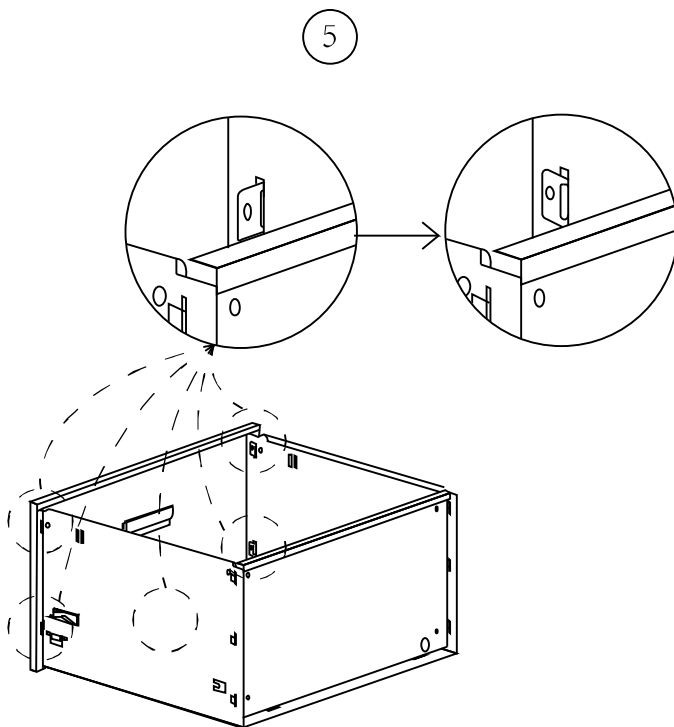
② As shown in the figure, there are 8 small protruding iron tabs on Plate K. Pass the small protruding iron tabs on Plate K through the corresponding slits in Plate J.



- ③ Fold the small iron pieces through the Plate J by 90°, and fasten the Plate K and the Plate J together.
- ④ In order to install Plate I, press both sides of Plate J inward slightly. Pass the small iron tabs protruding from the underside of Plate I through the slits on the underside of Plate J first, then pass the small iron tabs protruding from the sides of Plate I through the slits on Plate J.



- ⑤ Fold the small iron tabs protruding from Plate I 90° toward the side of Plate I.
- ⑥ Fasten the Plate I and Plate J together by passing the Screws O through the holes where the folded small iron tabs on the top of the Plate I and the Plate J coincide.



12

XII-XIII: Install the assembled drawers on the assembled file cabinet frame. Pull out the thin rail in each Slide Rails N. Simply pull Slide Rails N apart and gently press the exposed thin black plastic rod on the thin rail.

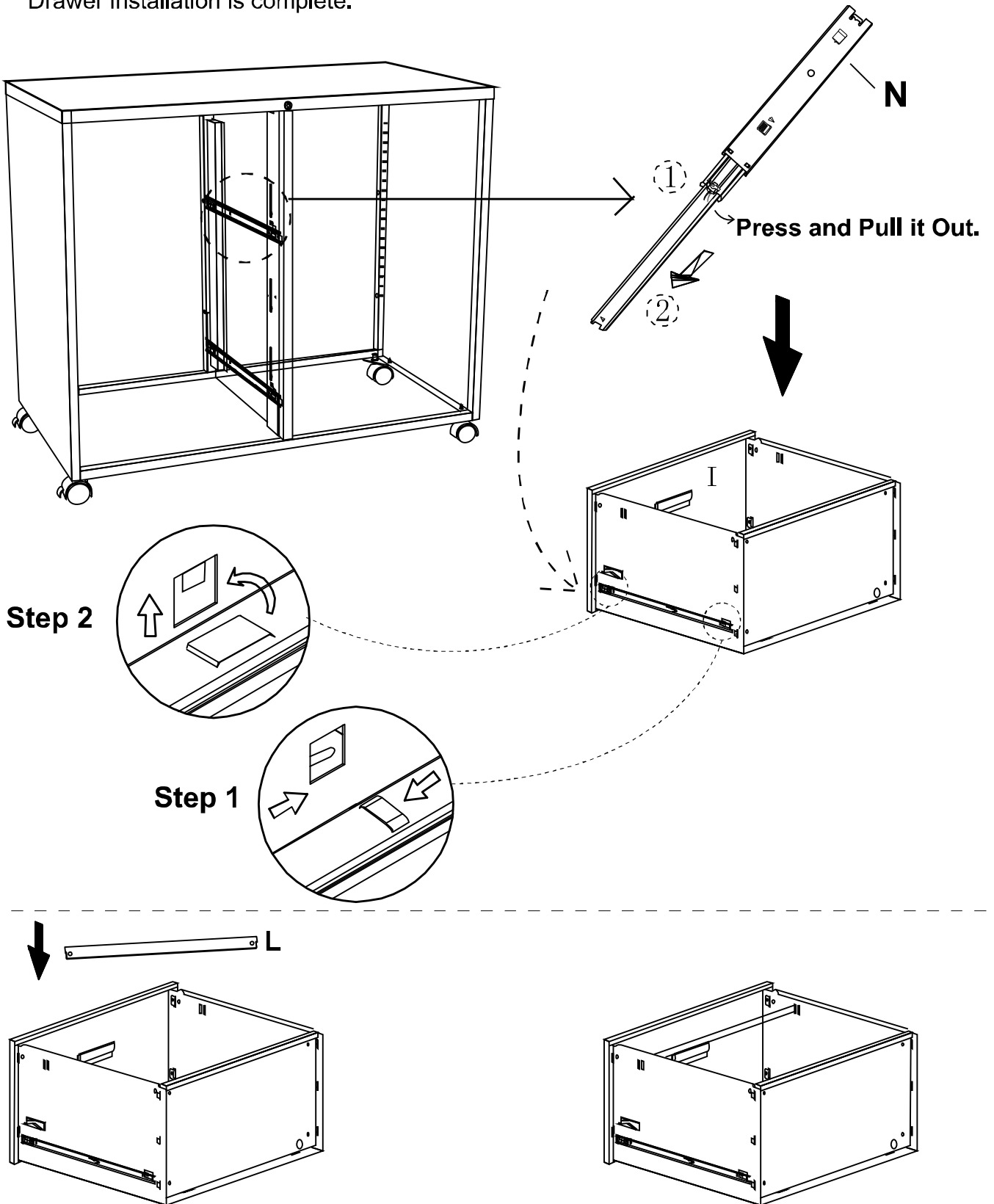
Step 1 The thinner iron piece on the inside of the drawer passes horizontally through the longitudinal slit in the thin rail.

Step 2 The wider iron piece on the outside of the drawer passes longitudinally through the horizontal seam on the thin rail.

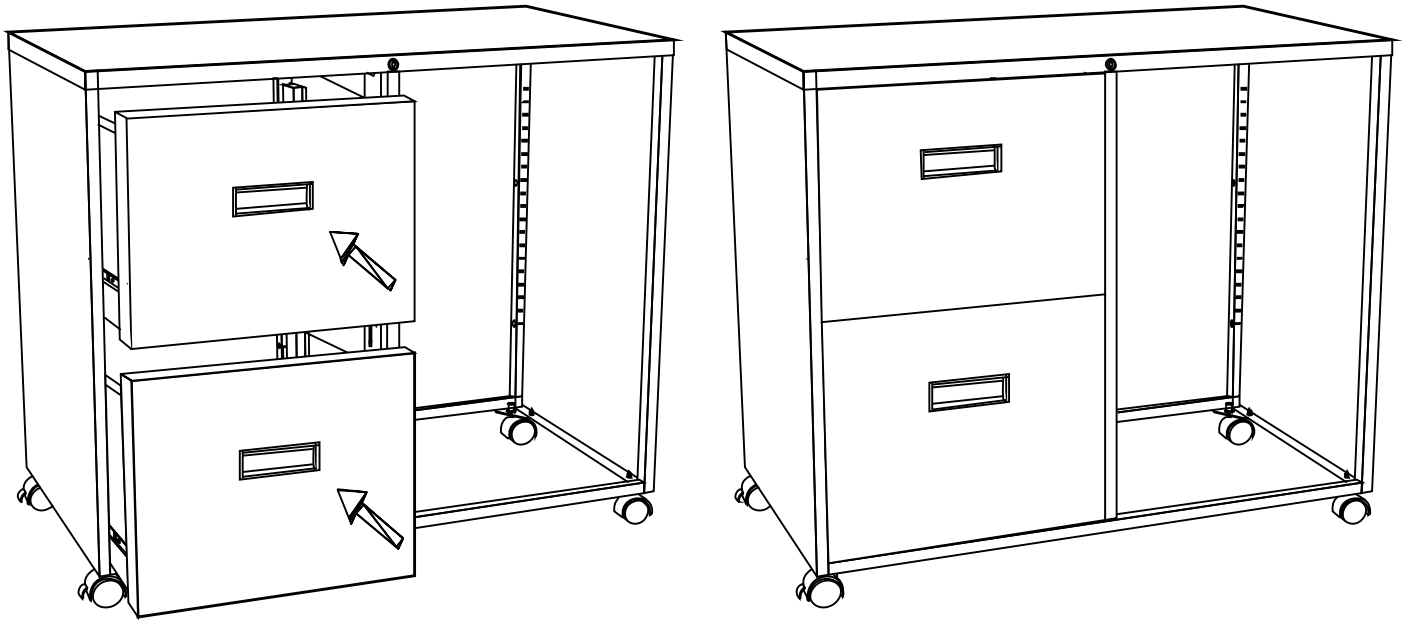
There is a slit at each end of the Metal Strip L, which can be selected to snap into either of the two slits on either side of the drawer as desired.

Pull the thin rail in the thick rail on the cabinet halfway out, align it with the thin rail on the drawer, and then push the drawer in along the slide.

Drawer installation is complete.

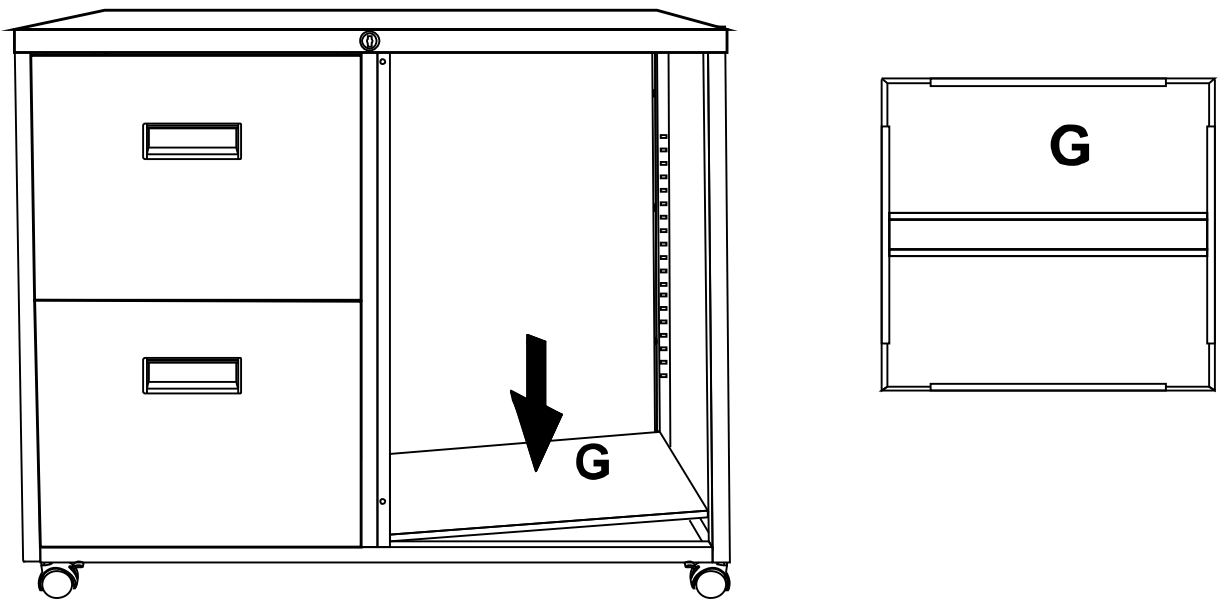


13

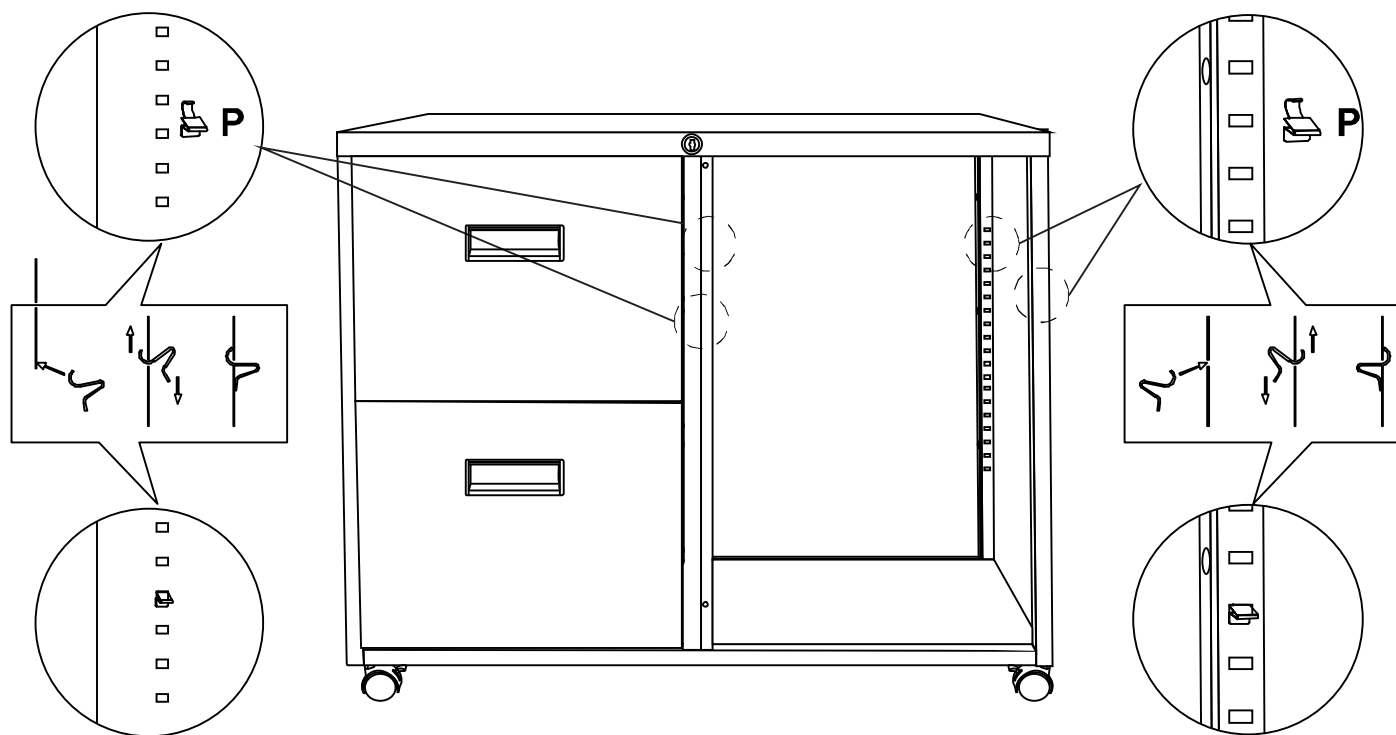


14

XIV: Put Plate G on the right side of the file cabinet frame as shown in the illustration.
NOTE: Be careful to distinguish between Plate G and Plate H.

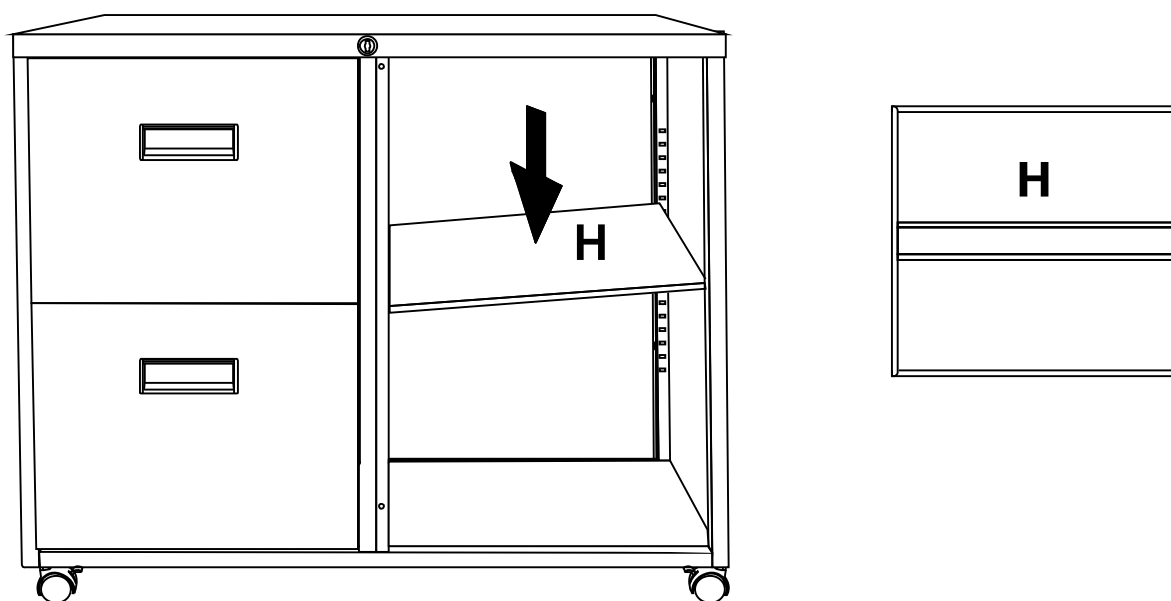


- 15 XV: Select the desired height and snap the Shelf Support P onto the slit around the perimeter of the right filing cabinet as shown.



Px4

- 16 XVI: Put Plate H on the Shelf Support P.
NOTE: If it does not fit, try switching the orientation of Plate H.



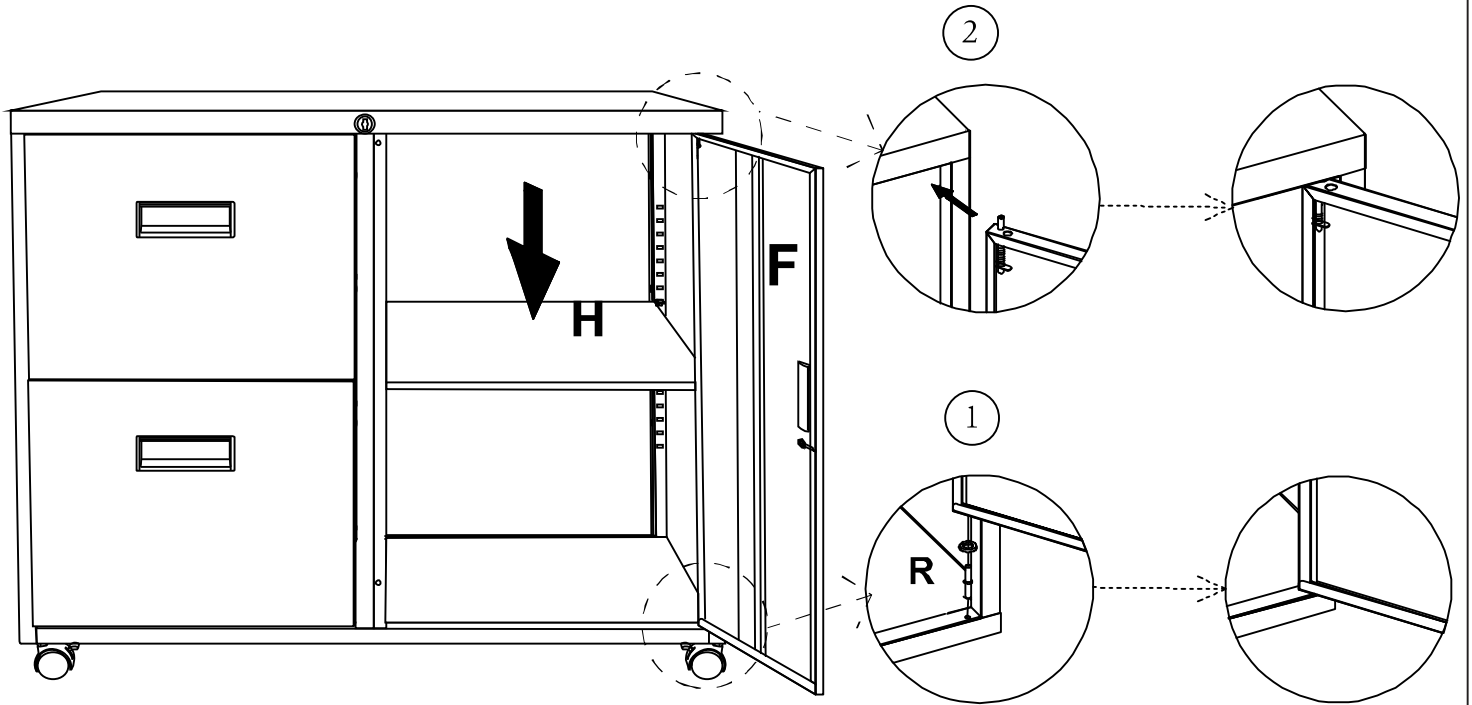
17 XVII: Install the Plate F.

① Insert the door shaft from the Group R component into the small hole shown in the ① with one of the spacers from the Group R component.

Insert the round hole on the underside of plate F through the door shaft.

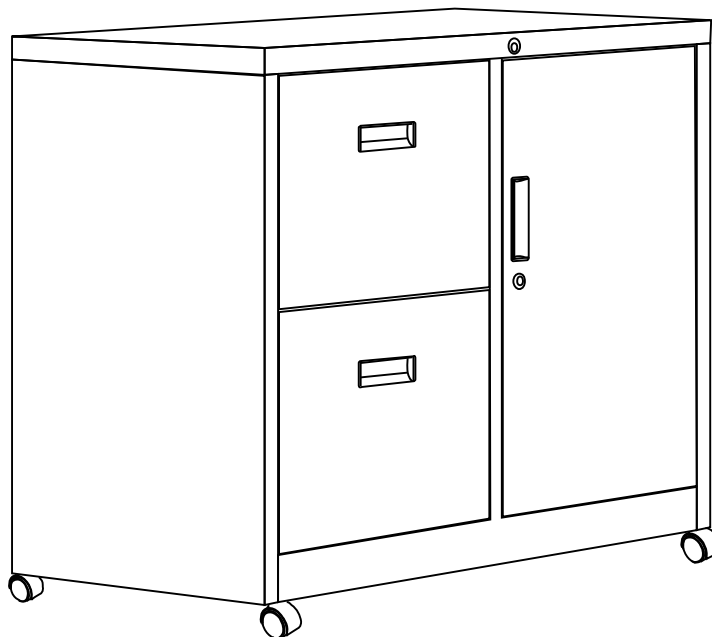
② Press down on the spring on the door shaft in the upper left corner of the inside of Plate F so that the door shaft moves down and aligns with the corresponding hole in Plate D. Release the spring.

NOTE: If you are missing the Door Shaft T with spring attached to Plate F, you can see in the parts list that we have included an additional Door Shaft T with spring attached.



Rx1

18



All assembled!