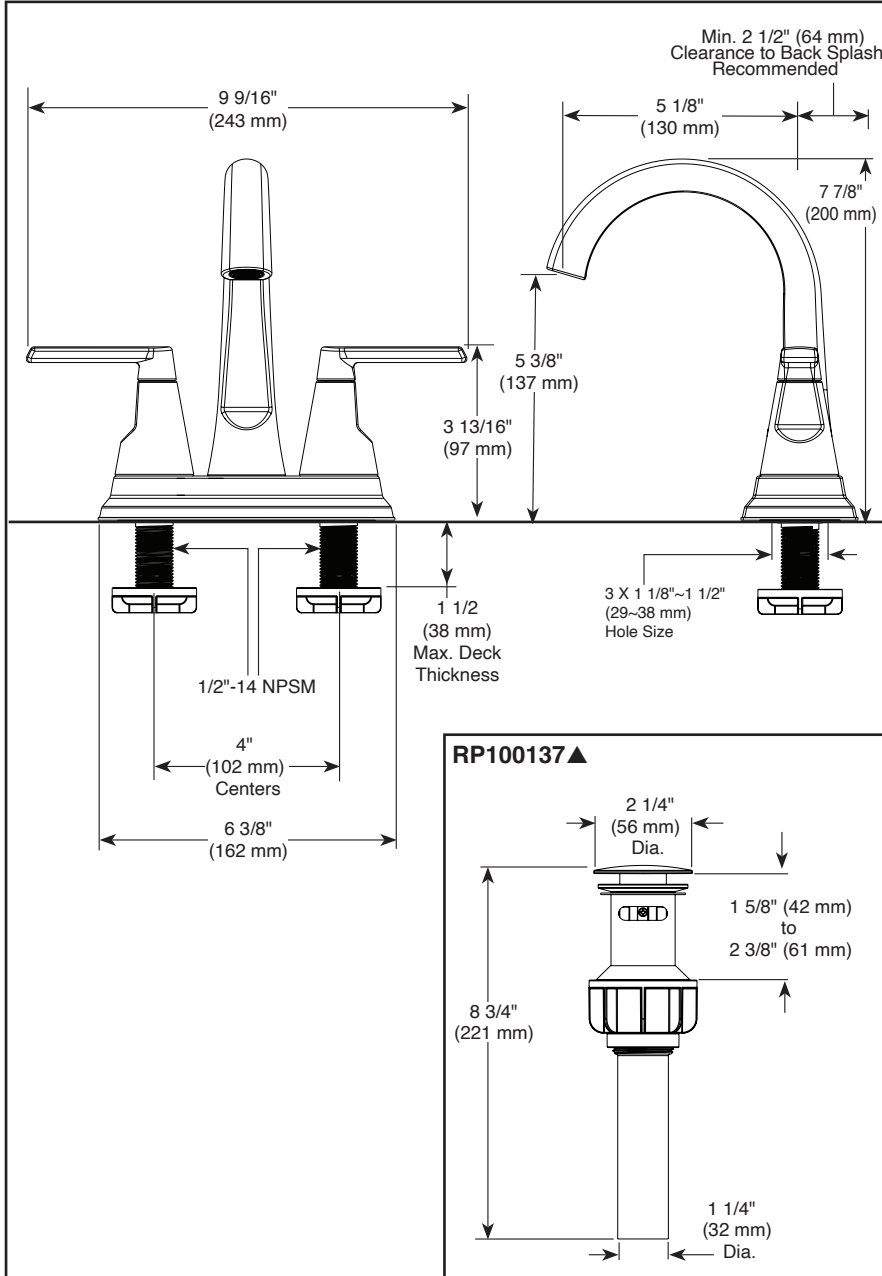




25832LF▲

Submitted Model No.: _____

Specific Features: _____



▲ Designate proper finish suffix

Delta reserves the right (1) to make changes in specifications and materials, and (2) to change or discontinue models, both without notice or obligation. Dimensions are for reference only. See current full-line price book or www.deltafaucet.com for finish options and product availability.

DSP-L-25832LF Rev. A



see what Delta can do™

BATHROOM FAUCET

- Sparrow™ Collection
- Two Handle Deck Mount

STANDARD SPECIFICATIONS:

- Max flow rate 1.2 gpm @ 60 psi, 4.5 L/min @ 414 kPa
- Three hole mount
- Hot and cold stems are interchangeable
- All operating parts are replaceable from the top
- 1/4 turn handle stops
- Solid metal cast body
- 1/2"-14 NPSM threaded male inlet shanks
- Control mechanism is a rotating cylinder type with stainless steel plate and 90° rotation, with replaceable non-metallic seats
- Models have push pop-up with over flow
- Models have worry-free drain catch provides an extra step of protection by preventing valuables from entering the drain
- Note: Standard mounting thickness can be extended by 1" with RP76691

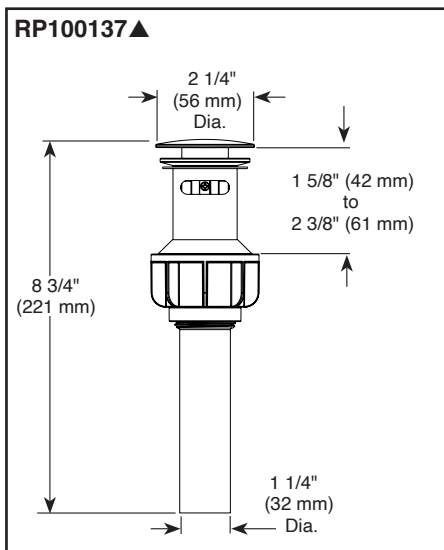
WARRANTY

- Parts and Finish - Lifetime limited warranty; or for commercial purchasers, 10 years for multi-family residential (apartments and condominiums) and 5 years for all other commercial uses, in each case from the date of purchase.
- Electronic Parts and Batteries (if applicable) - 5 years from the date of purchase; or for commercial purchasers, 1 year from the date of purchase. No warranty is provided on batteries.



COMPLIES WITH:

- ASME A112.18.1 / CSA B125.1
- ASME A112.18.2 / CSA B125.2
- ♿ Indicates compliance to ICC / ANSI A117.1 - Valve control only
- EPA WaterSense®



Delta Faucet Company
 55 E. 111th Street, Indianapolis, Indiana 46280
 350 South Edgeware Road, St. Thomas, Ontario Canada N5P 4L1
 © 2023 Delta Faucet Company