



Adair®

Comfort Height® Class Five® Toilet  
K-3946

**Features**

- Vitreous china.
- Elongated bowl.
- Class Five® flushing system.
- One-piece.
- Includes seat and cover.
- Less supply.
- 12" (305 mm) rough-in.
- 1.28 gallons per flush (gpf).
- 2-1/8" (54 mm) glazed trapway.
- Polished chrome trip lever.
- 11" (279 mm) x 7-3/4" (197 mm) water area.
- 28-9/16" (725 mm) x 16-5/16" (414 mm) x 28-7/16" (722 mm).

**Recommended Accessories**

- K-75796 Cachet® Nightlight Quiet-Close™ Elongated Toilet Seat
- K-8298 C3®-155 Elongated Cleansing Toilet Seat
- K-5420 Low-Profile Bolt Caps
- K-9466-L Left-hand Trip Lever

**Components**

Product includes:

- K-4636 Cachet® Quiet-Close™ Elongated Toilet Seat
- Additional included component/s: Tank cover, Trip lever, Bolt cap accessory pack, and Tank accessory pack.



ADA    CSA B651    OBC

**Codes/Standards**

- ASME A112.19.2/CSA B45.1
- DOE - Energy Policy Act 1992
- EPA WaterSense®
- California Energy Commission (CEC)
- ADA
- ICC/ANSI A117.1
- CSA B651
- OBC

**KOHLER® One-Year Limited Warranty**

See website for detailed warranty information.

**Available Color/Finishes**

*Color tiles intended for reference only.*

Color	Code	Description
	0	White
	96	Biscuit
	47	Almond
	NY	Dune
	95	Ice™ Grey
	G9	Sandbar
	33	Mexican Sand™
	K4	Cashmere
	58	Thunder™ Grey
	7	Black Black™

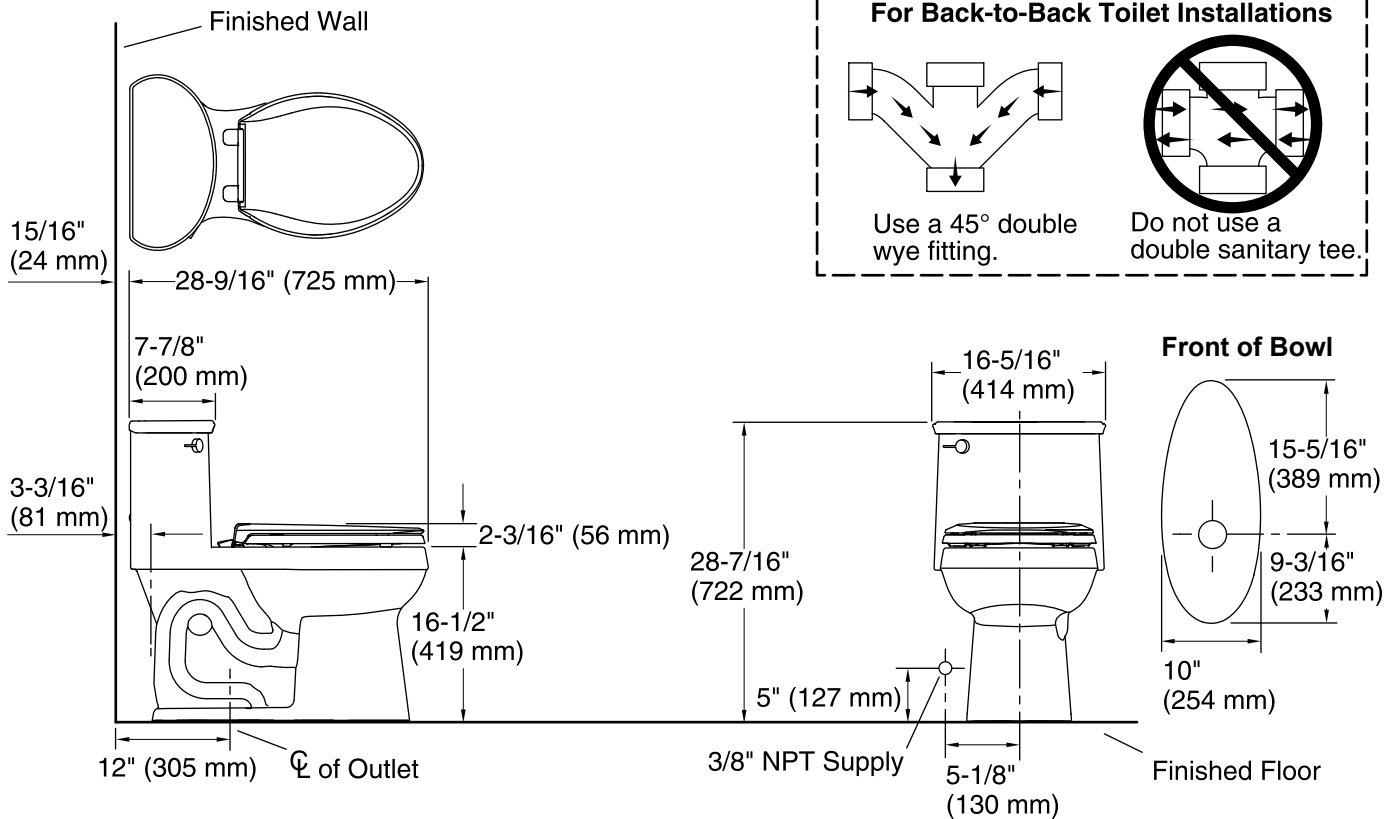
USA/Canada: 1-800-4KOHLER (1-800-456-4537)

Kohler Co. reserves the right to make revisions without notice to product specifications.

For the most current Specification Sheet, go to [www.kohler.com](http://www.kohler.com).

2-12-2018 04:45

THE BOLD LOOK  
OF **KOHLER**®



## Technical Information

All product dimensions are nominal.

Toilet type:	One-piece, Floor-mount
Waste Outlet:	Floor
Bowl shape:	Elongated front
Flush type:	AquaPiston
Seat hinge type:	Quick-Attach®, Quiet-Close™, Quick-Release™
Trap passageway:	2-1/8" (54 mm)
Water Consumption	
Full:	1.28 gpf (4.8 lpf)
Water surface size:	11" x 7-3/4" (279 mm x 197 mm)
Rim to water surface:	6-1/16" (154 mm)
Rough-in:	12" (305 mm)
Seat-mounting holes:	5-1/2" (140 mm)

## Notes

- Install this product according to the installation instructions.
- ADA, OBC, CSA B651 compliant when installed to the specific requirements of these regulations.
- Plumbing Codes require elongated toilets and elongated, open-front toilet seats in public bathrooms.
- Accessibility standards require controls to be located on the open side of the toilet.