

ASSEMBLY INSTRUCTIONS

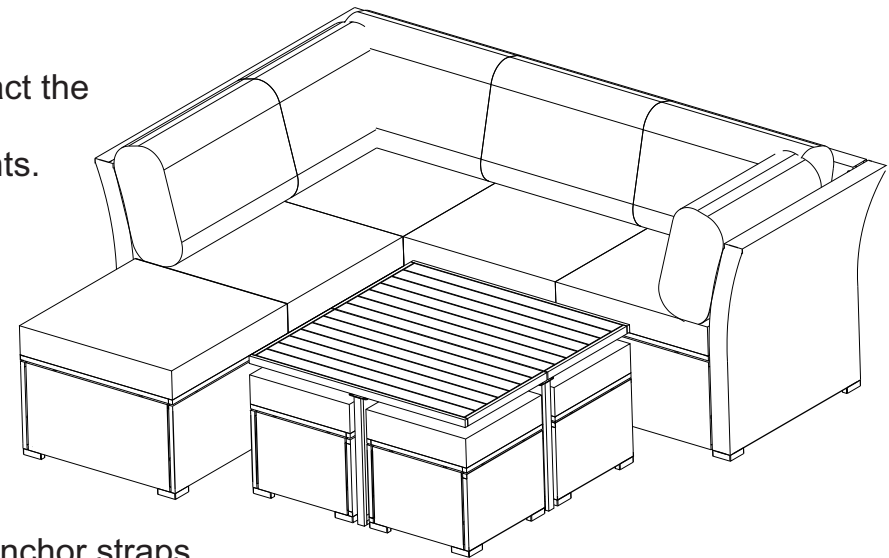
ITEM #: WF317209
WF317210
WF317211
WF317212

Thank you for purchasing this quality product. Be sure to check all packing material carefully for small Hardware which may have come loose inside the carton during shipment. Identify and count all hardware and compare with the hardware list below.

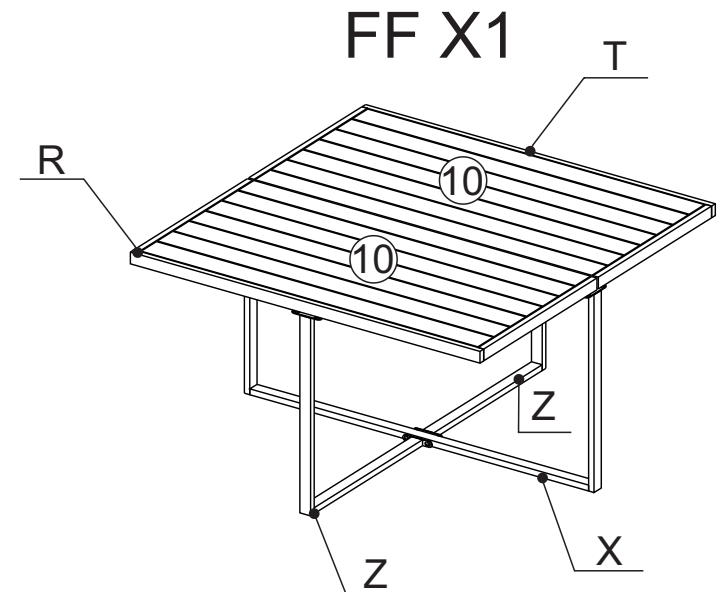
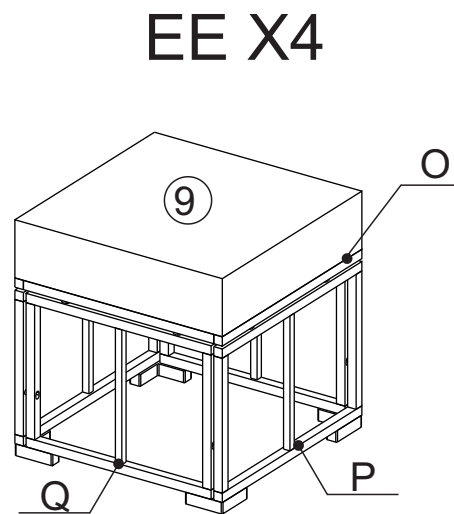
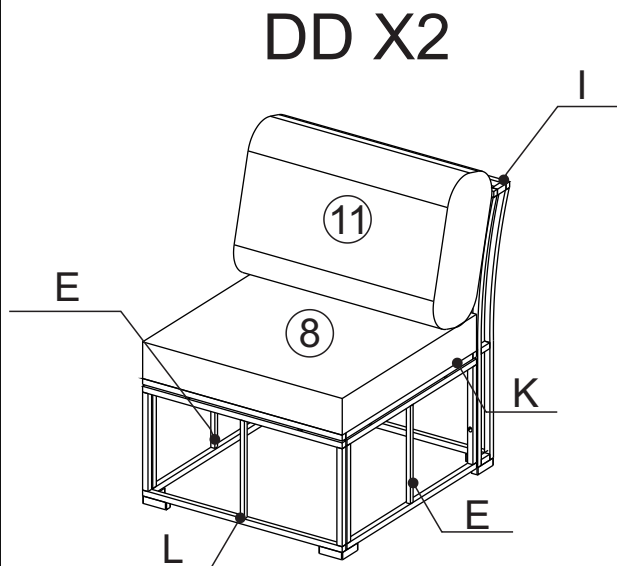
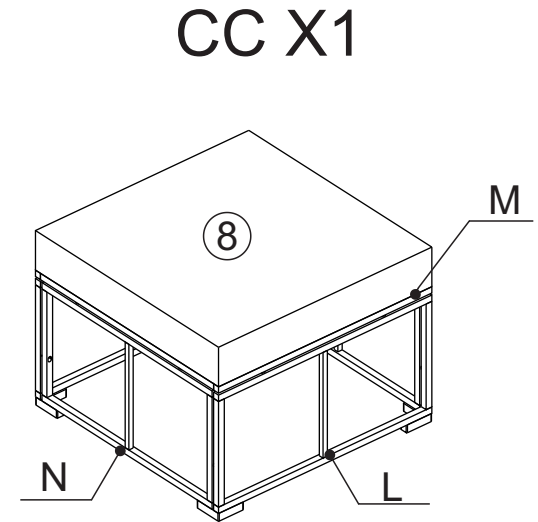
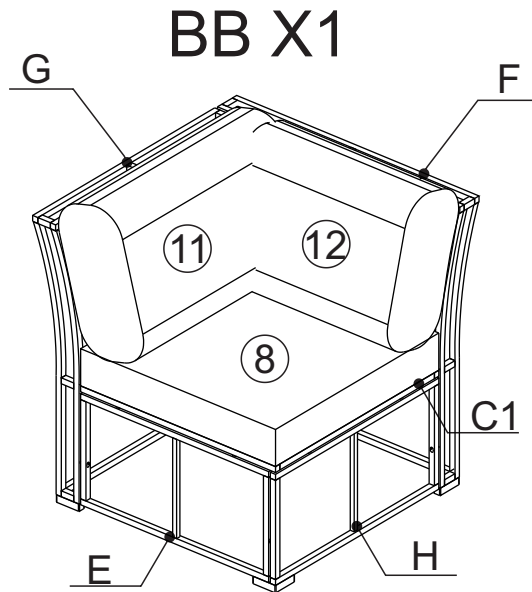
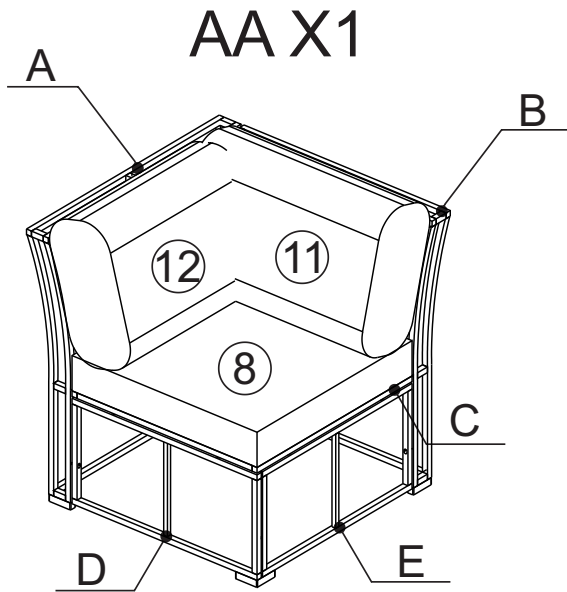
ASSEMBLY INSTRUCTION:

1. Remove hardware from box and sort by size.
2. Please check to see that all hardware and parts are present prior start of assembly.
3. Please follow attached instruction in the same sequence as numbered to assure fast and easy.

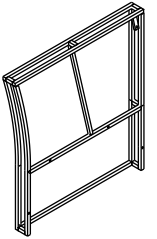
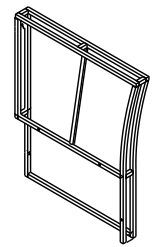
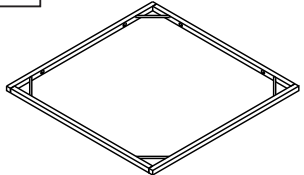
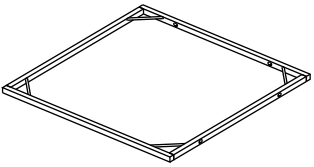
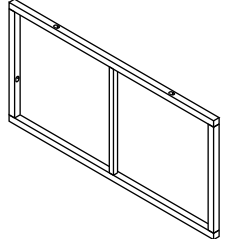
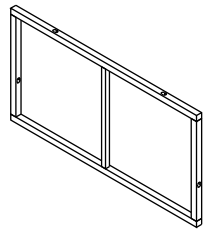
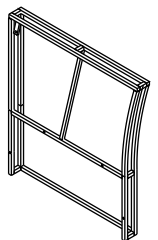
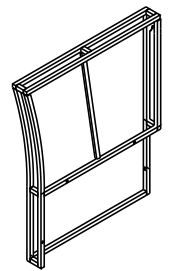
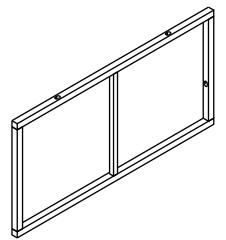
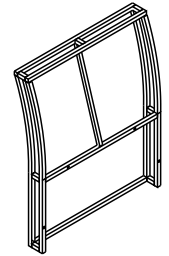
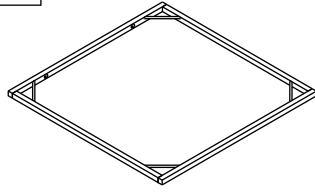
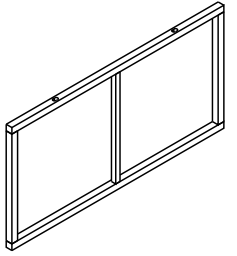
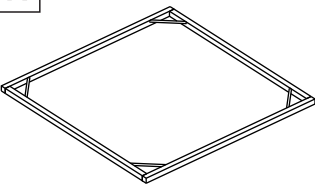
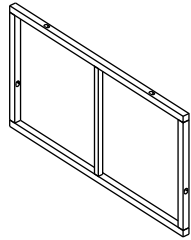
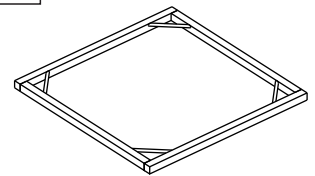
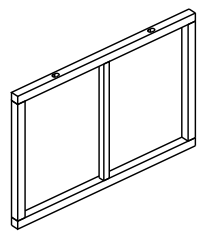
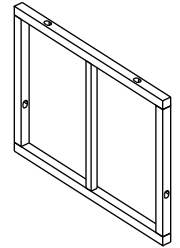
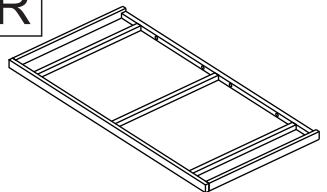
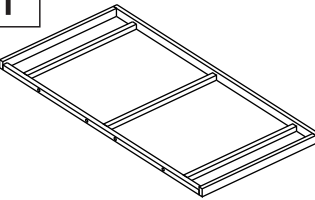
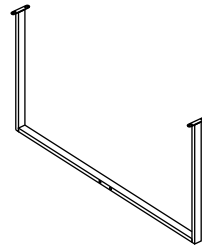
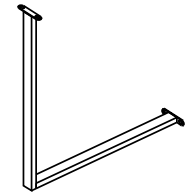
1. Don't attempt to repair or modify parts that are broken or defective. please contact the store immediately.
2. This product is for home use only and not intended for commercial establishments.
3. Two persons are required for assembly.
4. Approximate assembly time: 1/2 hours.
5. Component parts and fittings contained in the box.
Please sort out all parts before you begin to assemble the item.
This is to make sure you always use the correct part.
6. It is **STRONGLY RECOMMENDED** that you **ANCHOR** this product.
Toppling furniture can cause serious injuries and death.
This product has not been fitted with an anchor strap.
To prevent your furniture from tipping forward it is strongly recommended.
That you securely attach this product to a wall or other solid surface, using the anchor straps
Provided and appropriate fixings.



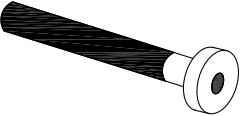
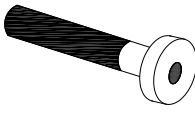
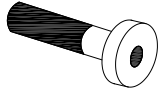
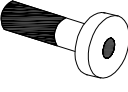

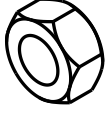
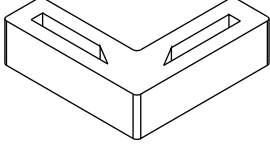
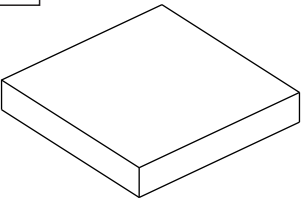
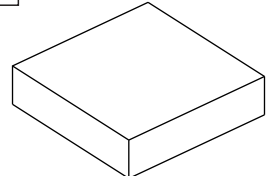
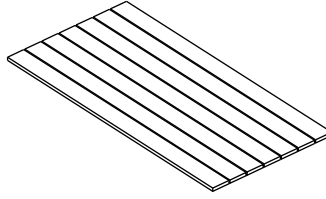
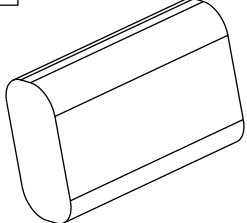
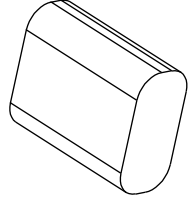
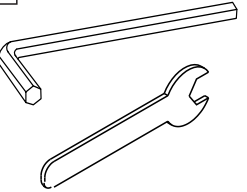
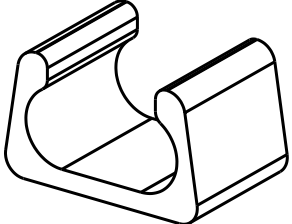
ASSEMBLY INSTRUCTION



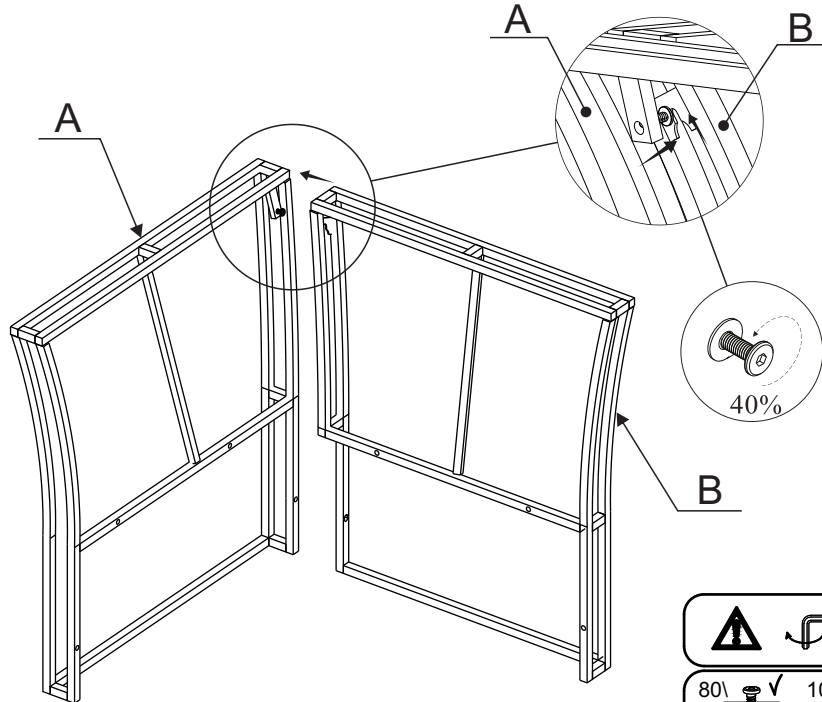
Part list & Hardware

<p>A</p>  <p>Arm right (1 pc)</p>	<p>B</p>  <p>Backrest right (1 pc)</p>	<p>C</p>  <p>Seat right (1 pc)</p>	<p>C1</p>  <p>Seat left (1 pc)</p>	<p>D</p>  <p>Front side right (1 pc)</p>	<p>E</p>  <p>Chair side (6 pc)</p>
<p>F</p>  <p>Arm left (1 pc)</p>	<p>G</p>  <p>Backrest left (1 pc)</p>	<p>H</p>  <p>Front side left (1 pc)</p>	<p>I</p>  <p>Single chair backrest (2 pcs)</p>	<p>K</p>  <p>Single seat (2 pcs)</p>	<p>L</p>  <p>Front side single chair (4 pcs)</p>
<p>M</p>  <p>Top big stool (1 pc)</p>	<p>N</p>  <p>Short side big stool (2 pcs)</p>	<p>O</p>  <p>Top small stool (4 pcs)</p>	<p>P</p>  <p>Long side small stool (8 pcs)</p>	<p>Q</p>  <p>Short small stool (8 pcs)</p>	<p>R</p>  <p>Right table top (1 pc)</p>
<p>T</p>  <p>Left table top (1 pc)</p>	<p>X</p>  <p>Long left table (1 pc)</p>	<p>Z</p>  <p>Short left table (1 pc)</p>			

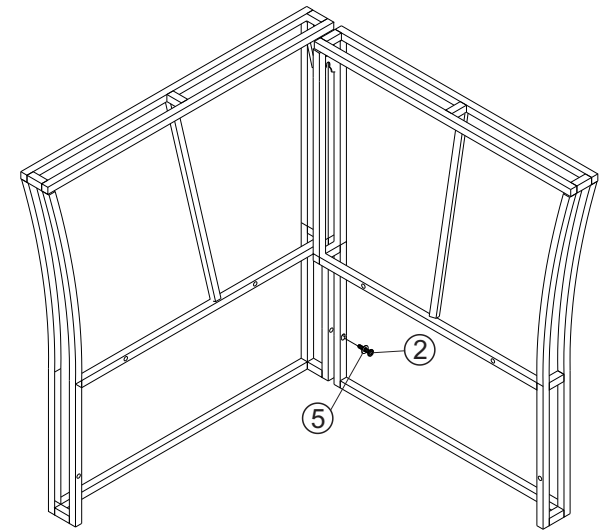
Part list & Hardware

<p>1</p>  <p>M6x40 (2 pcs)</p>	<p>2</p>  <p>M6x35 (112 pcs)</p>	<p>3</p>  <p>M6x25 (72 pcs)</p>	<p>4</p>  <p>M6x15 (8 pcs)</p>	<p>5</p>  <p>124 pcs</p>	<p>6</p>  <p>2 pcs</p>
<p>7</p>  <p>36 pcs</p>	<p>8</p>  <p>5 pcs</p>	<p>9</p>  <p>4 pcs</p>	<p>10</p>  <p>2 pcs</p>	<p>11</p>  <p>4 pcs</p>	<p>12</p>  <p>2 pcs</p>
<p>13</p>  <p>2 pcs</p>	<p>14</p>  <p>6 pcs</p>				

AA X1 STEP 1

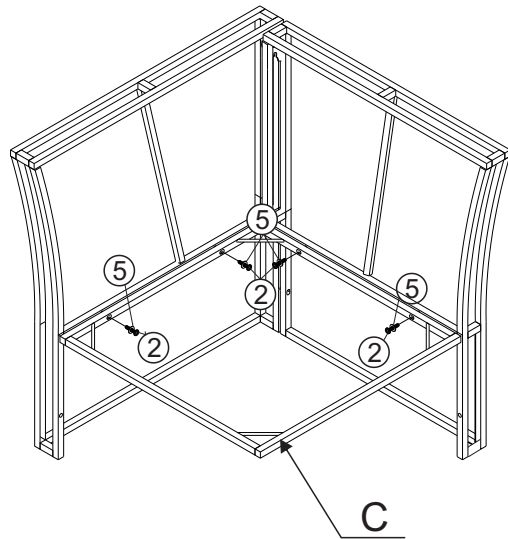


STEP 2



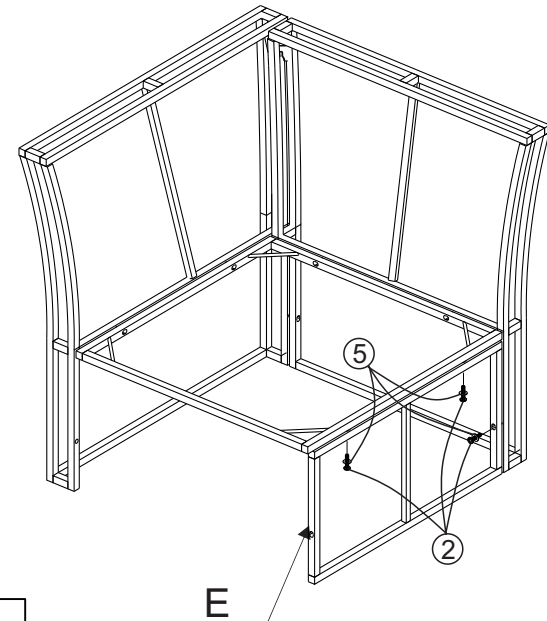
2	 M6x35 mm	1
5		1

STEP 3



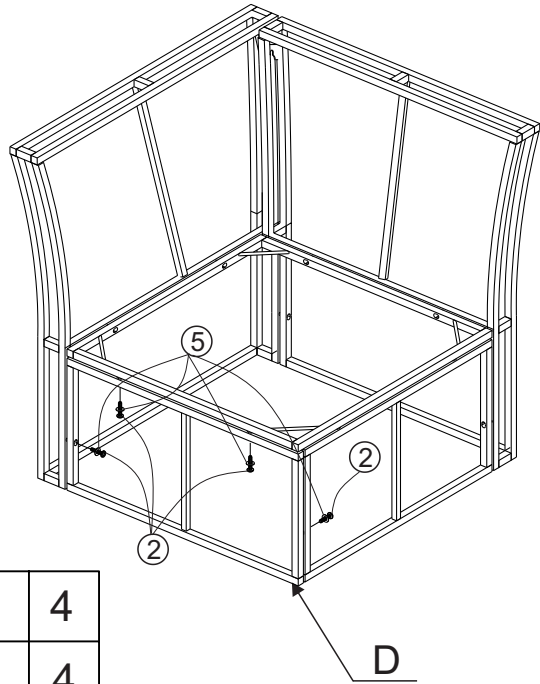
2	 M6x35 mm	4
5		4

STEP 4

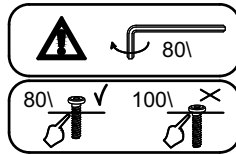


2	 M6x35 mm	3
5		3

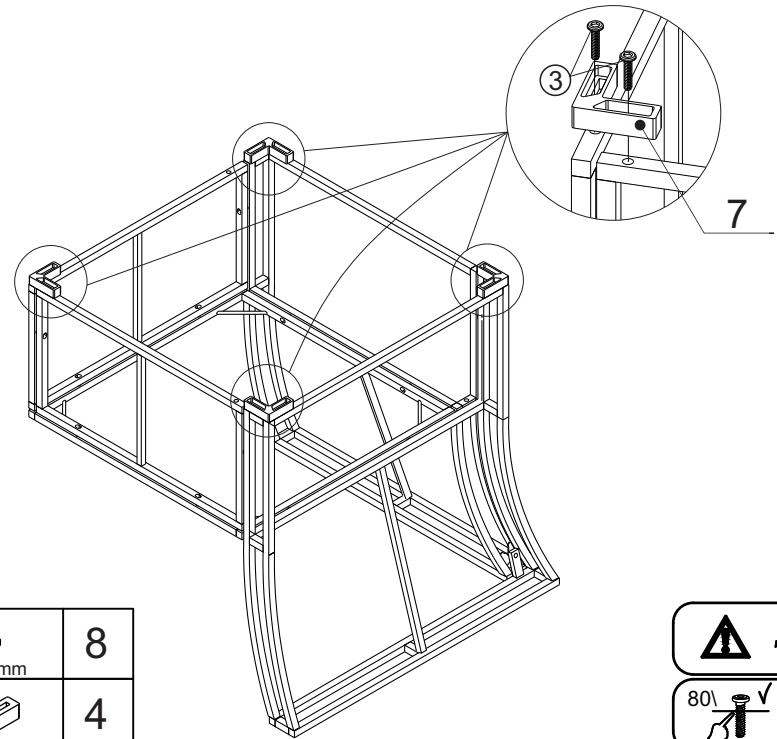
STEP 5



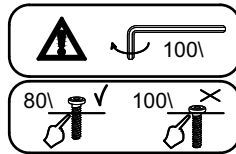
2	M6x35 mm	4
5		4



STEP 6

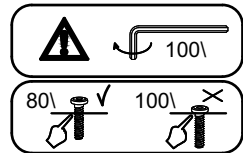
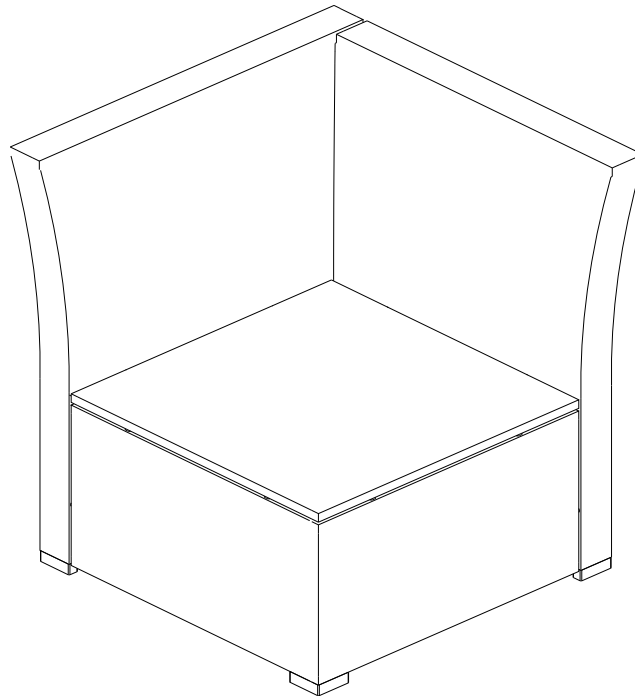


3	M6x25 mm	8
7		4

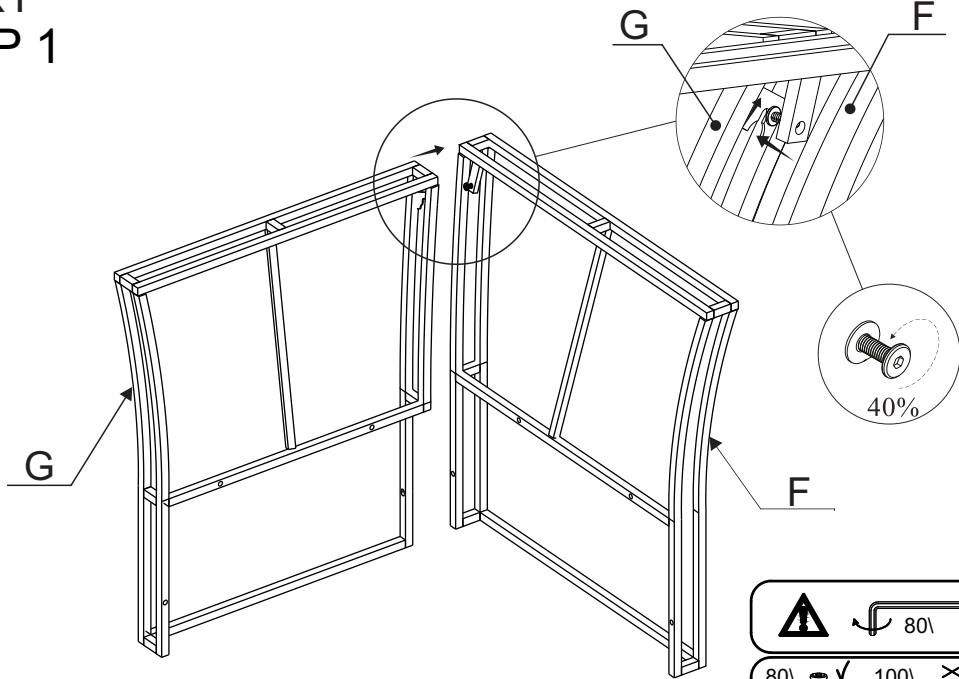


FINNISH

X1

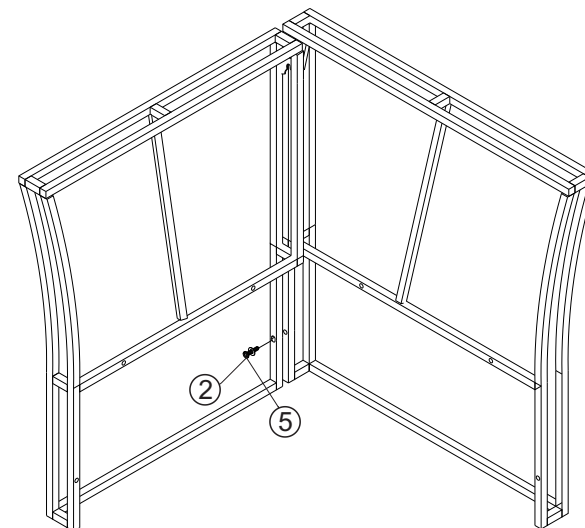


BBX1 STEP 1



		80\
80\	✓	100\

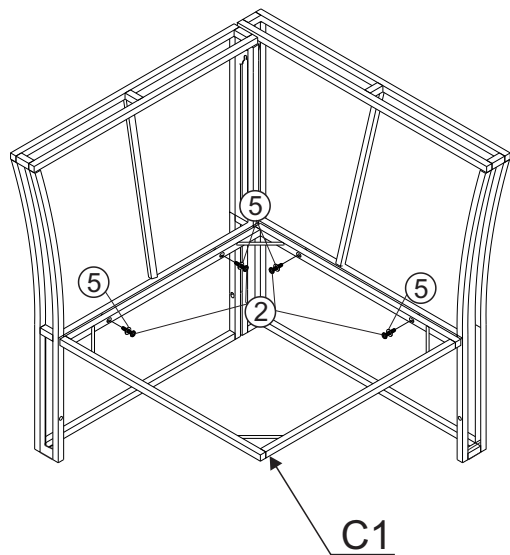
STEP 2



2		1
	M6x35 mm	
5		1

		80\
80\	✓	100\

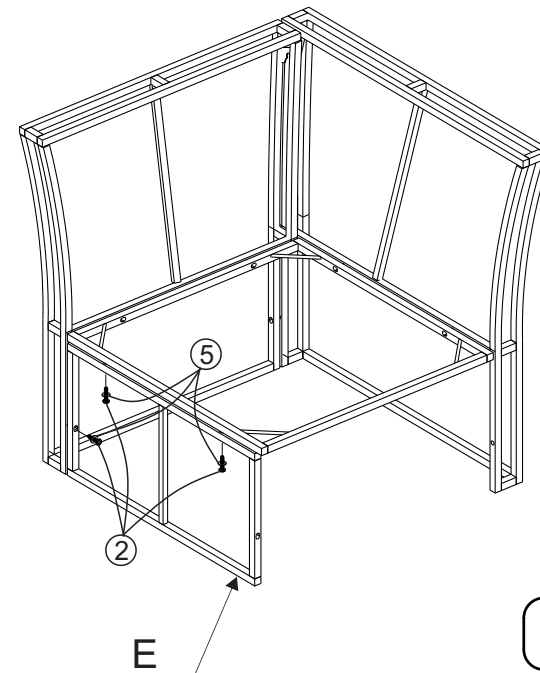
STEP 3



2		4
	M6x35 mm	
5		4

		80\
80\	✓	100\

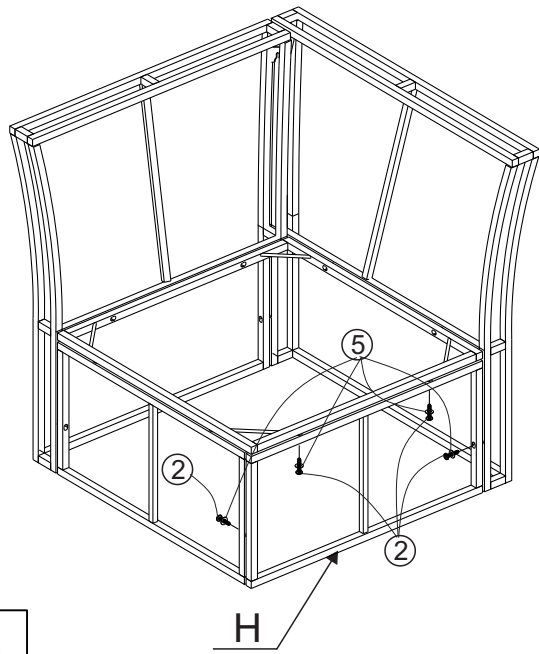
STEP 4





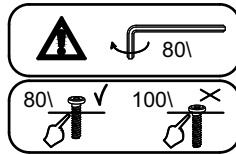
2		3
	M6x35 mm	
5		3

		80\
80\	✓	100\

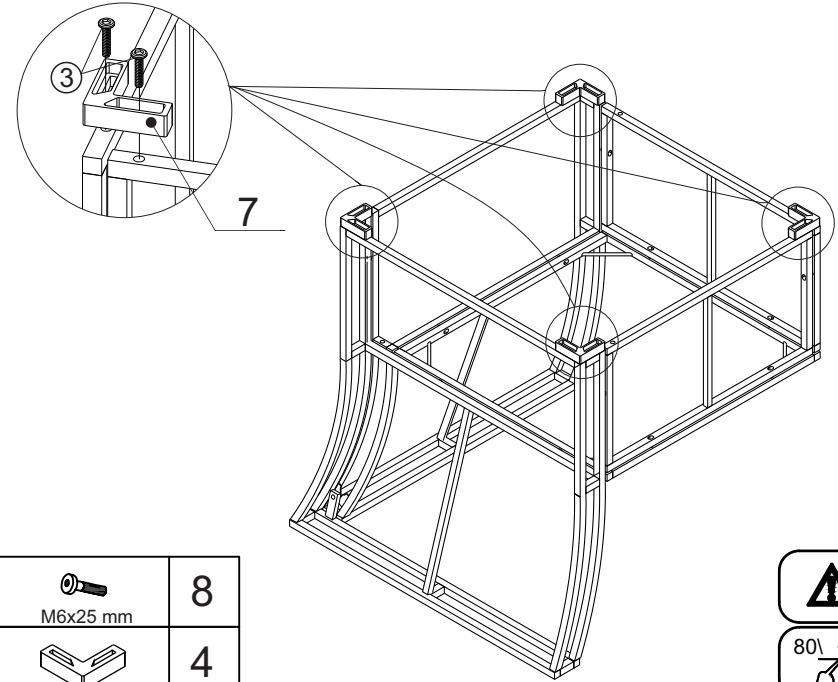
STEP 5





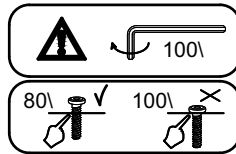
2	 M6x35 mm	4
5		4



STEP 6

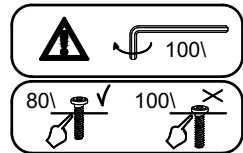
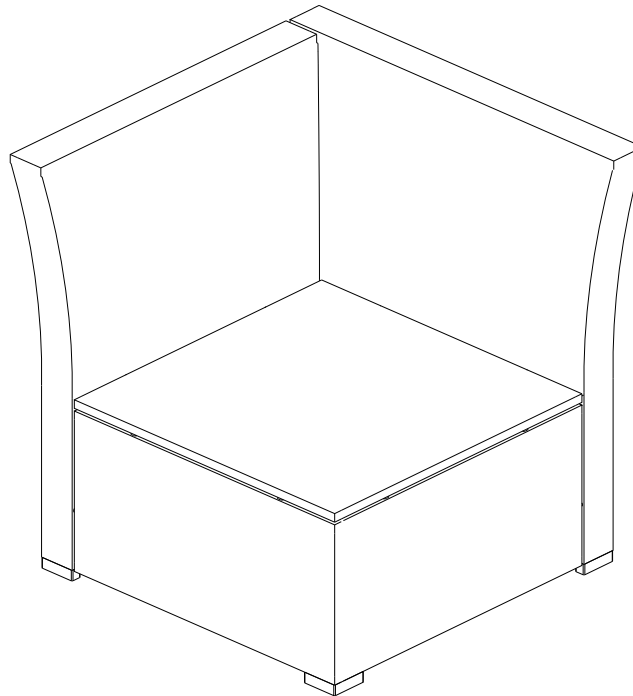


3	 M6x25 mm	8
7		4

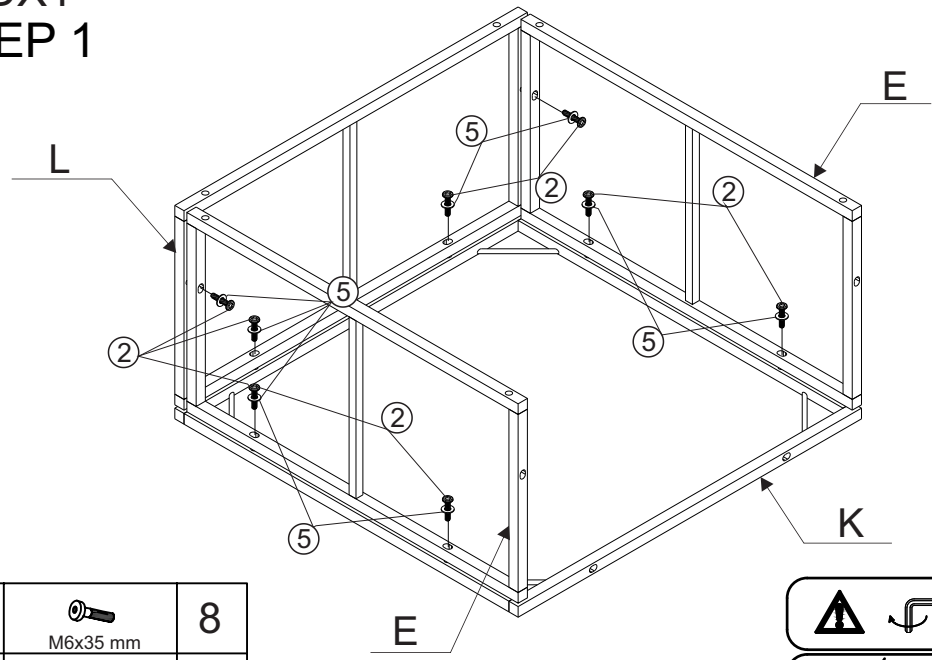


FINNISH

X1



DDX1 STEP 1

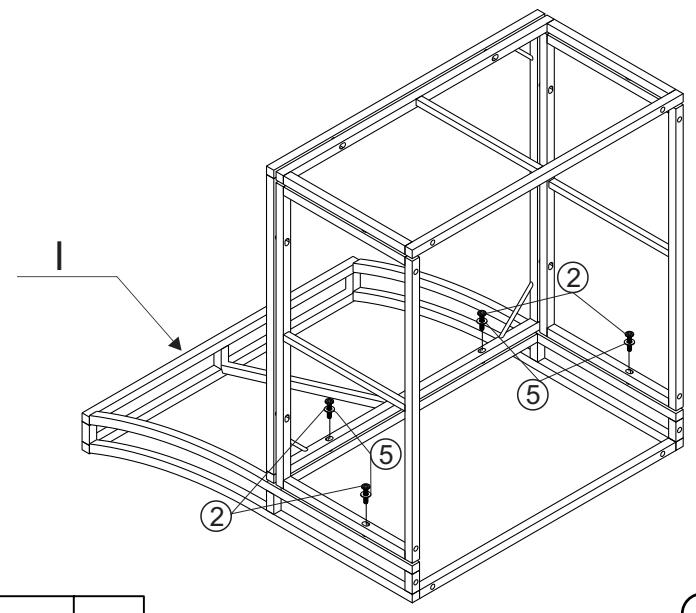


2	M6x35 mm	8
5		8

80°

80° ✓ 100° ✗

STEP 2

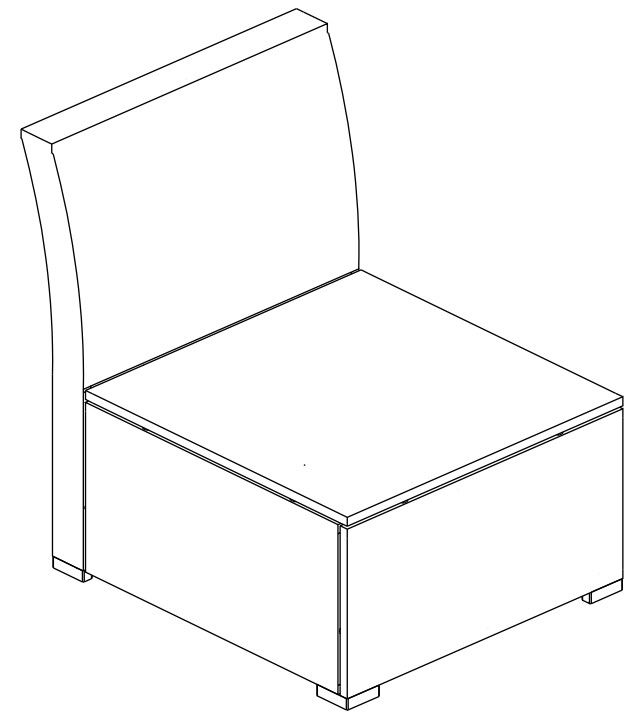


2	M6x35 mm	4
5		4

80°

80° ✓ 100° ✗

FINNISH

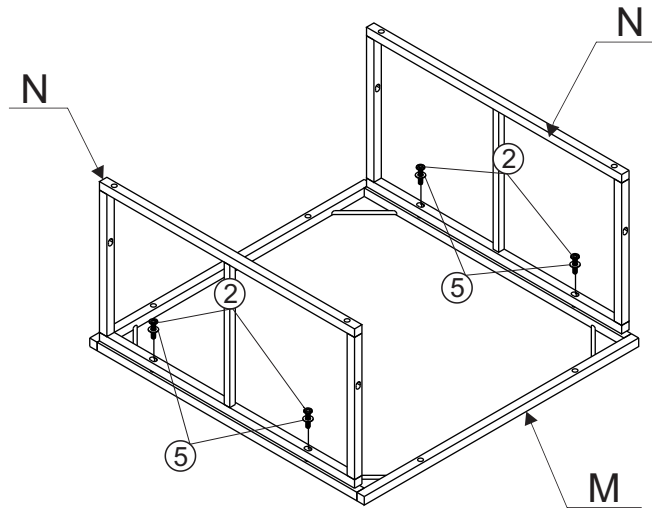




X2

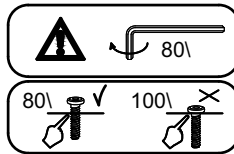
100°

80° ✓ 100° ✗

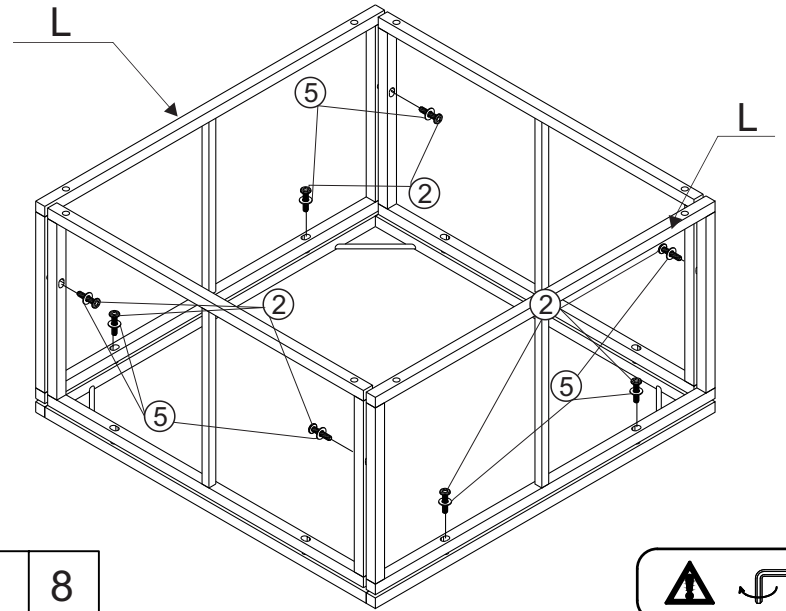
CCX1 STEP 1





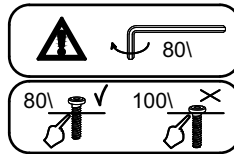
2	 M6x35 mm	4
5		4



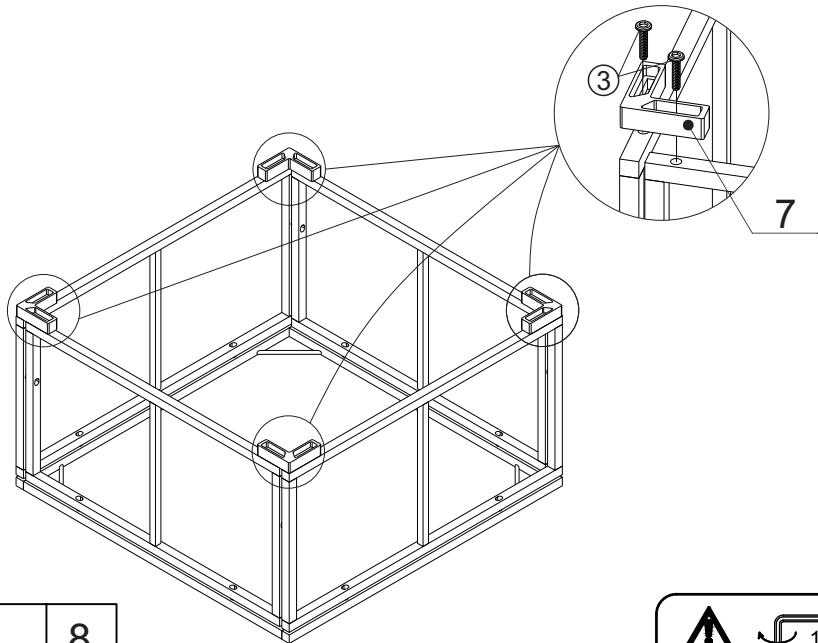
STEP 2





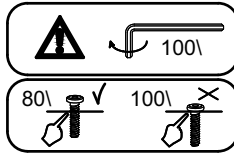
2	 M6x35 mm	8
5		8



STEP 3

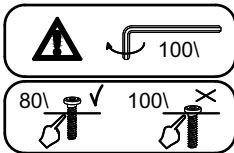
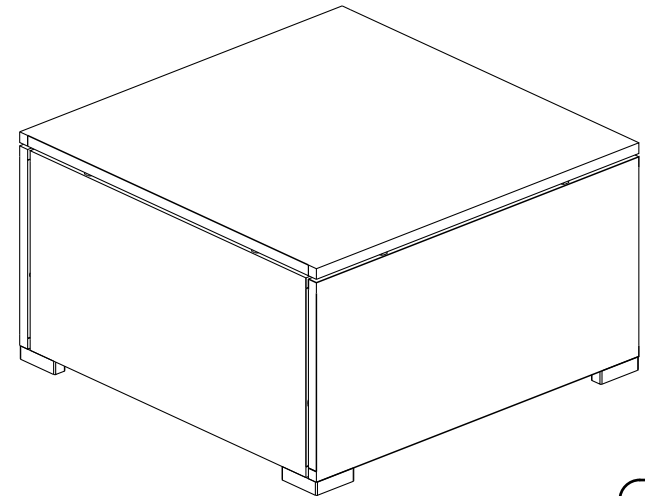


3	 M6x25 mm	8
7		4

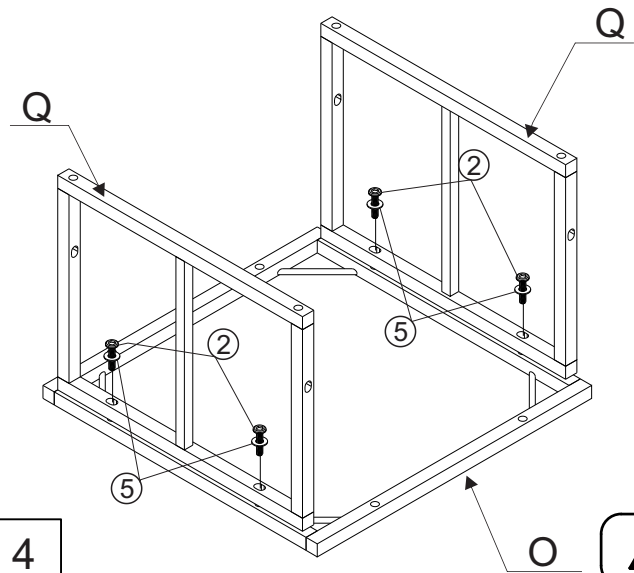




FINNISH


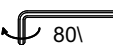
X1


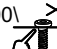


EE X1 STEP 1

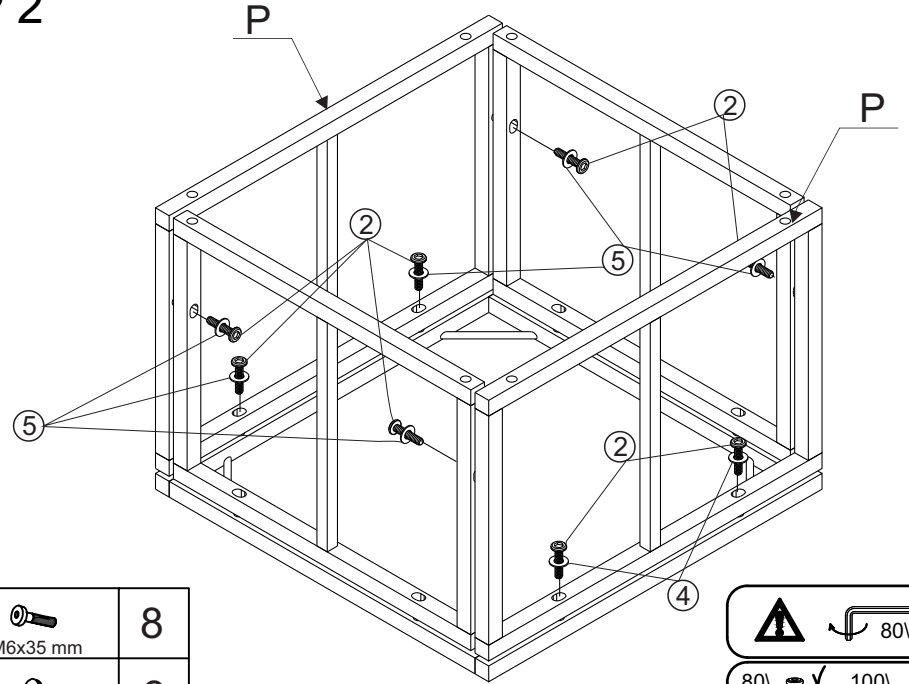




2	 M6x35 mm	4
5		4


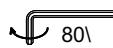
  80°

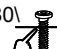

80°  ✓ 100°  ✗

STEP 2

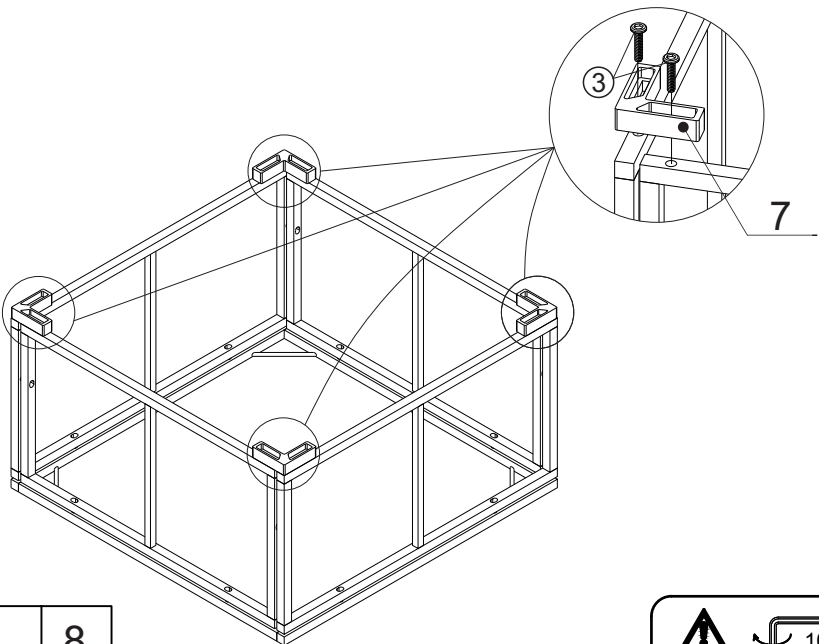




2	 M6x35 mm	8
5		8


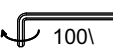
  80°


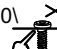
80°  ✓ 100°  ✗

STEP 3



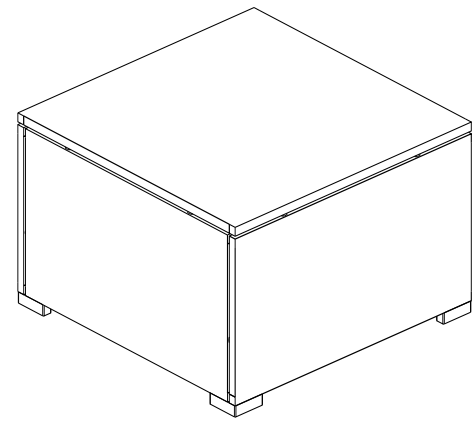
3	 M6x25 mm	8
7		4


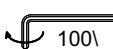
  100°



80°  ✓ 100°  ✗

FINNISH

X4

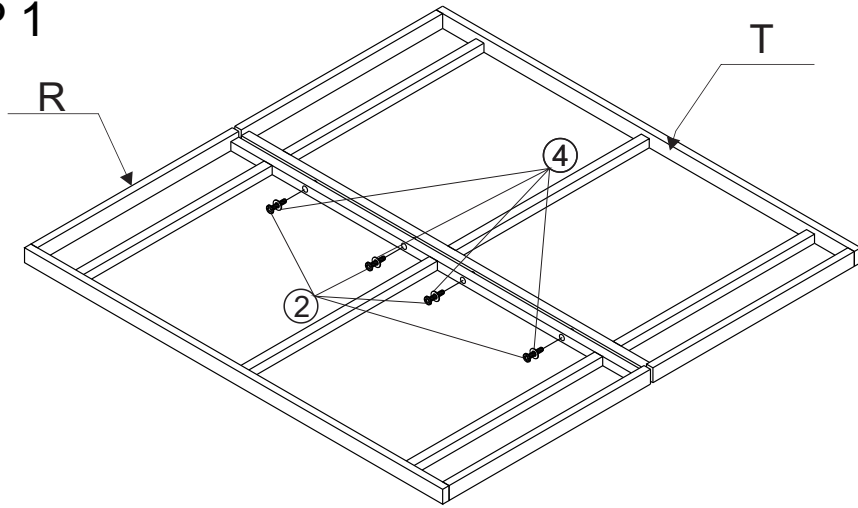




  100°

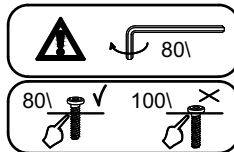
80°  ✓ 100°  ✗

FFX1

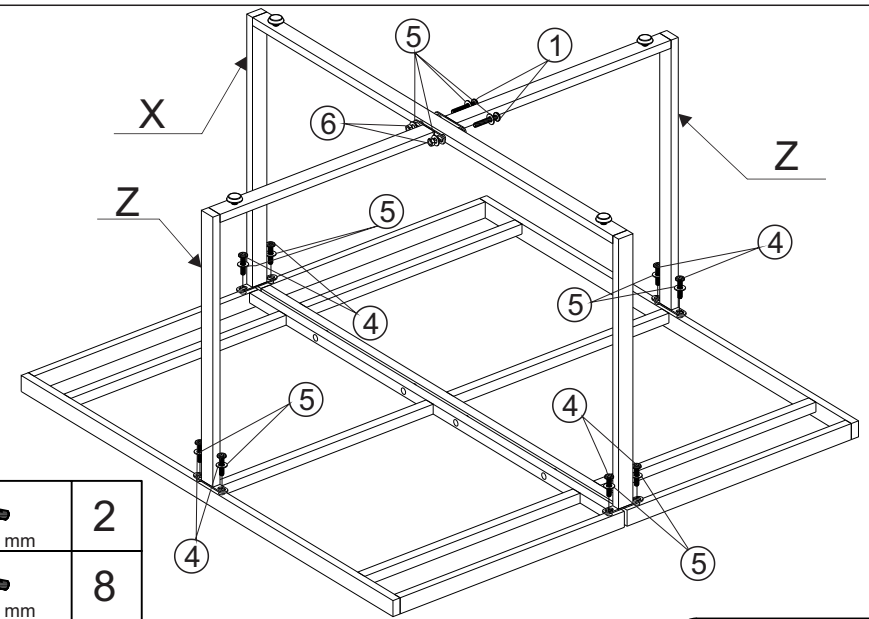
STEP 1







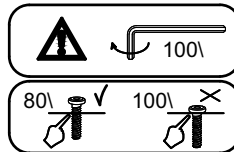
2	 M6x35 mm	4
5		4



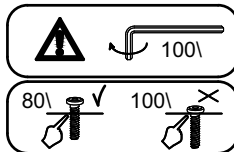
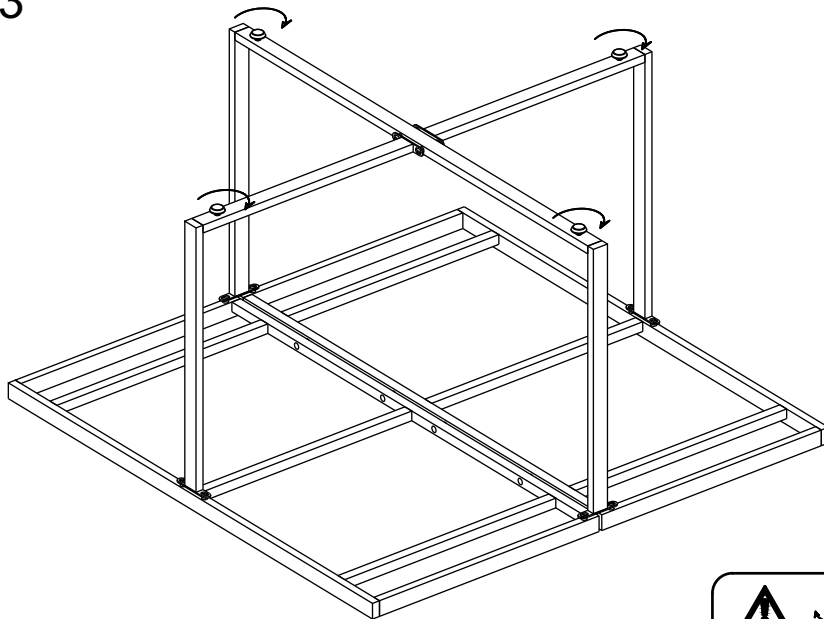
STEP 2



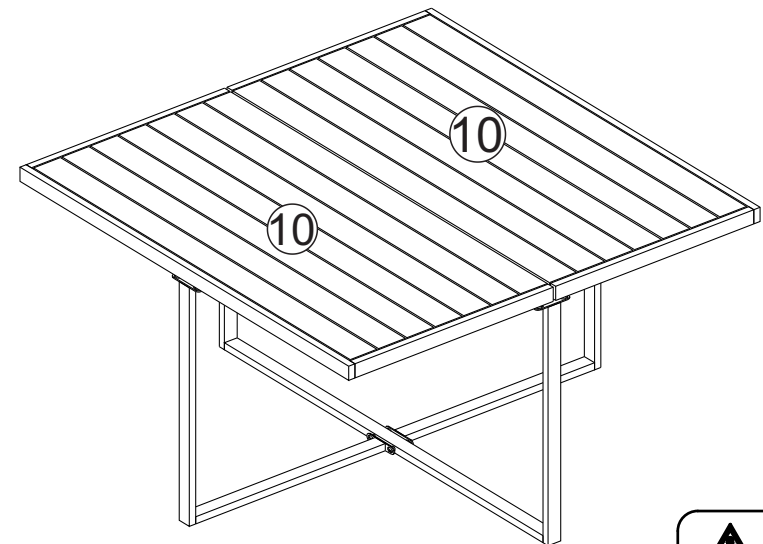
1	 M6x40 mm	2
4	 M6x15 mm	8
5		12
6		2




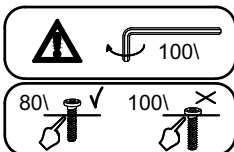
STEP 3



STEP 4



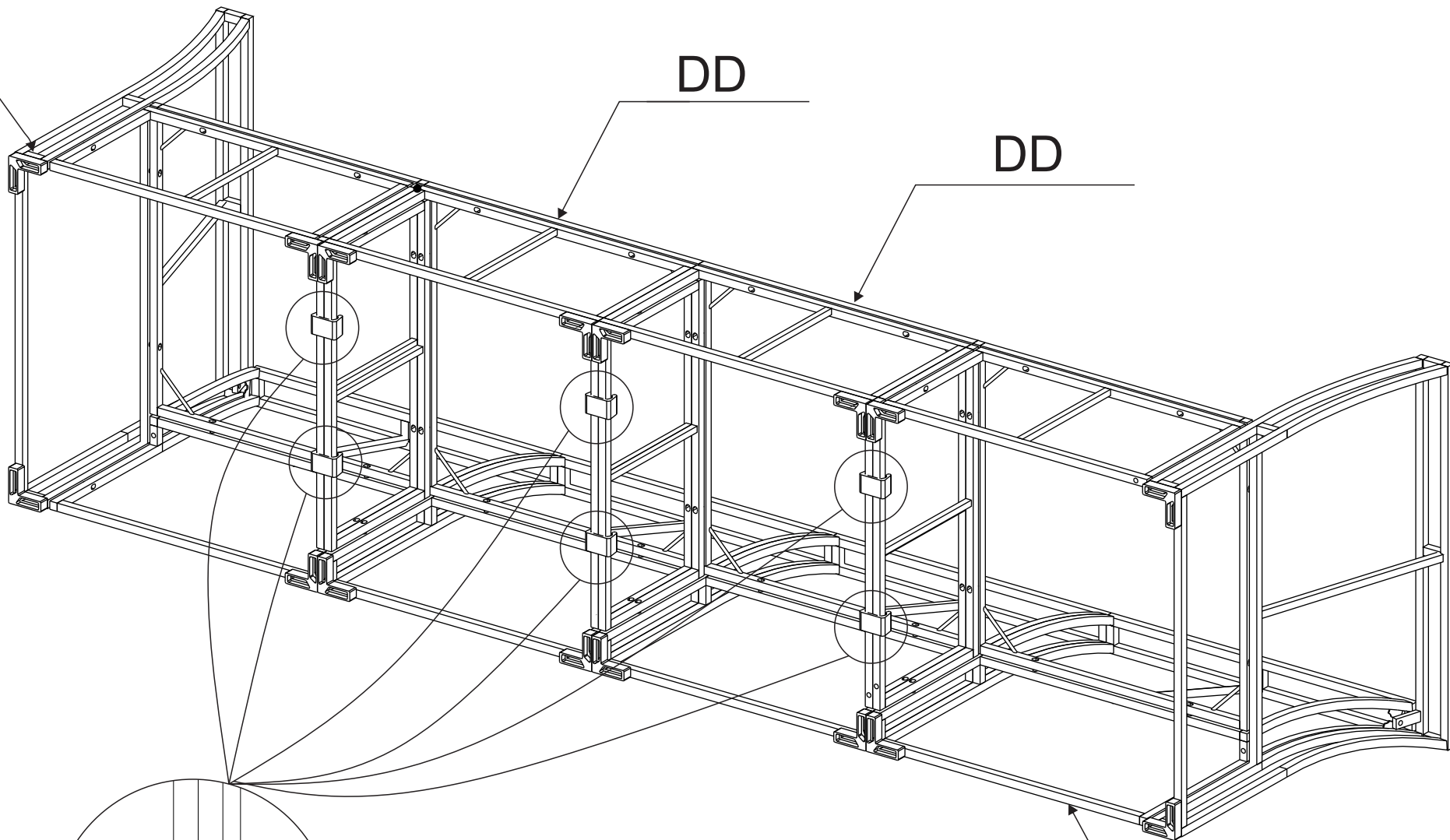
10		2
----	---	---



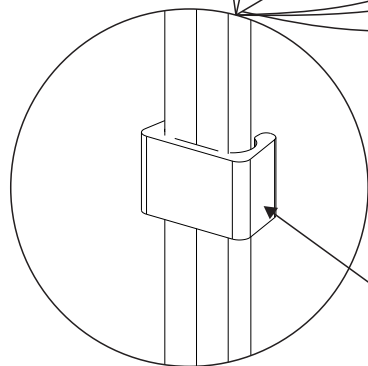
AA

DD


DD



BB



14

14		6
----	---	---

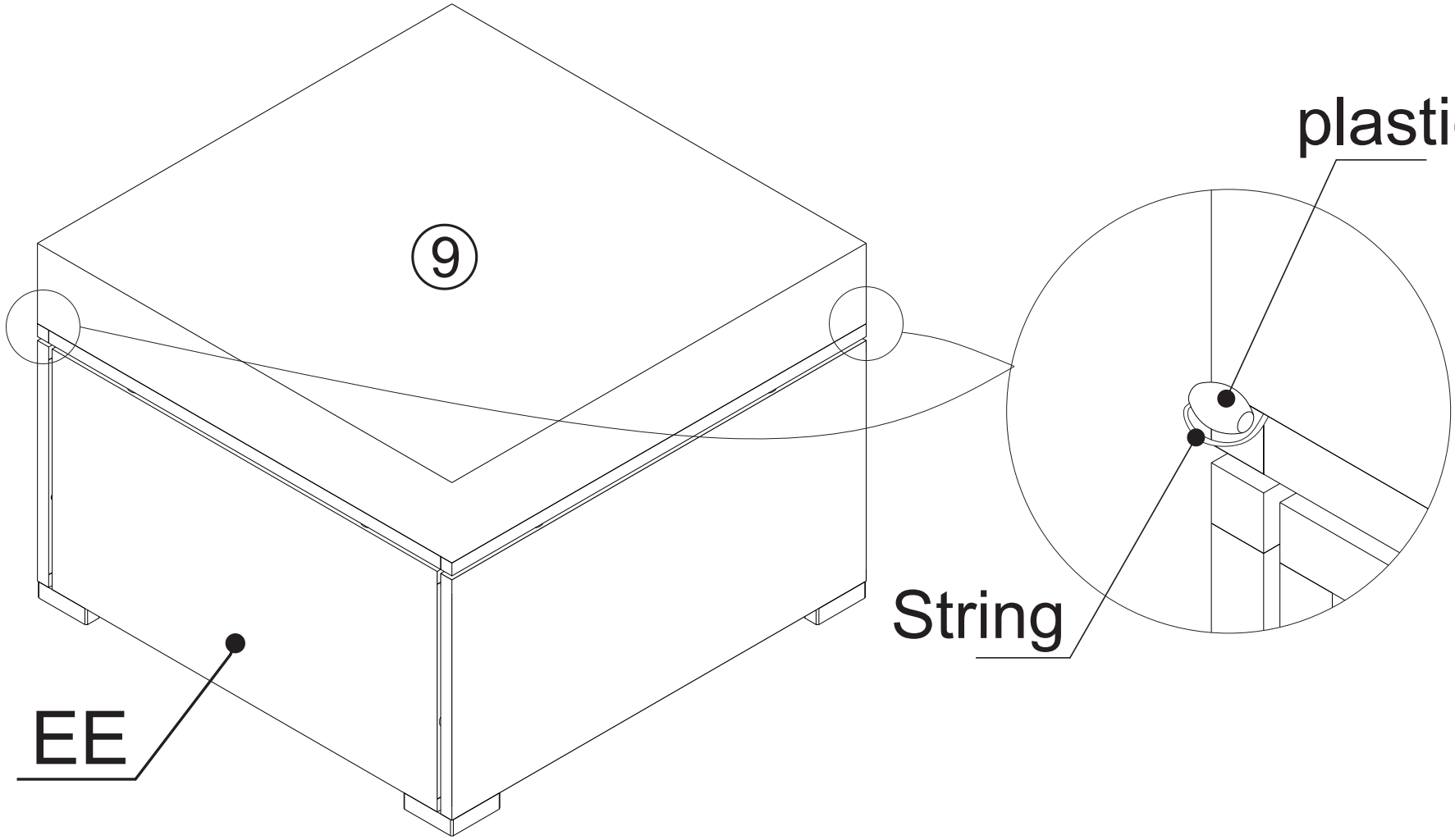
X4

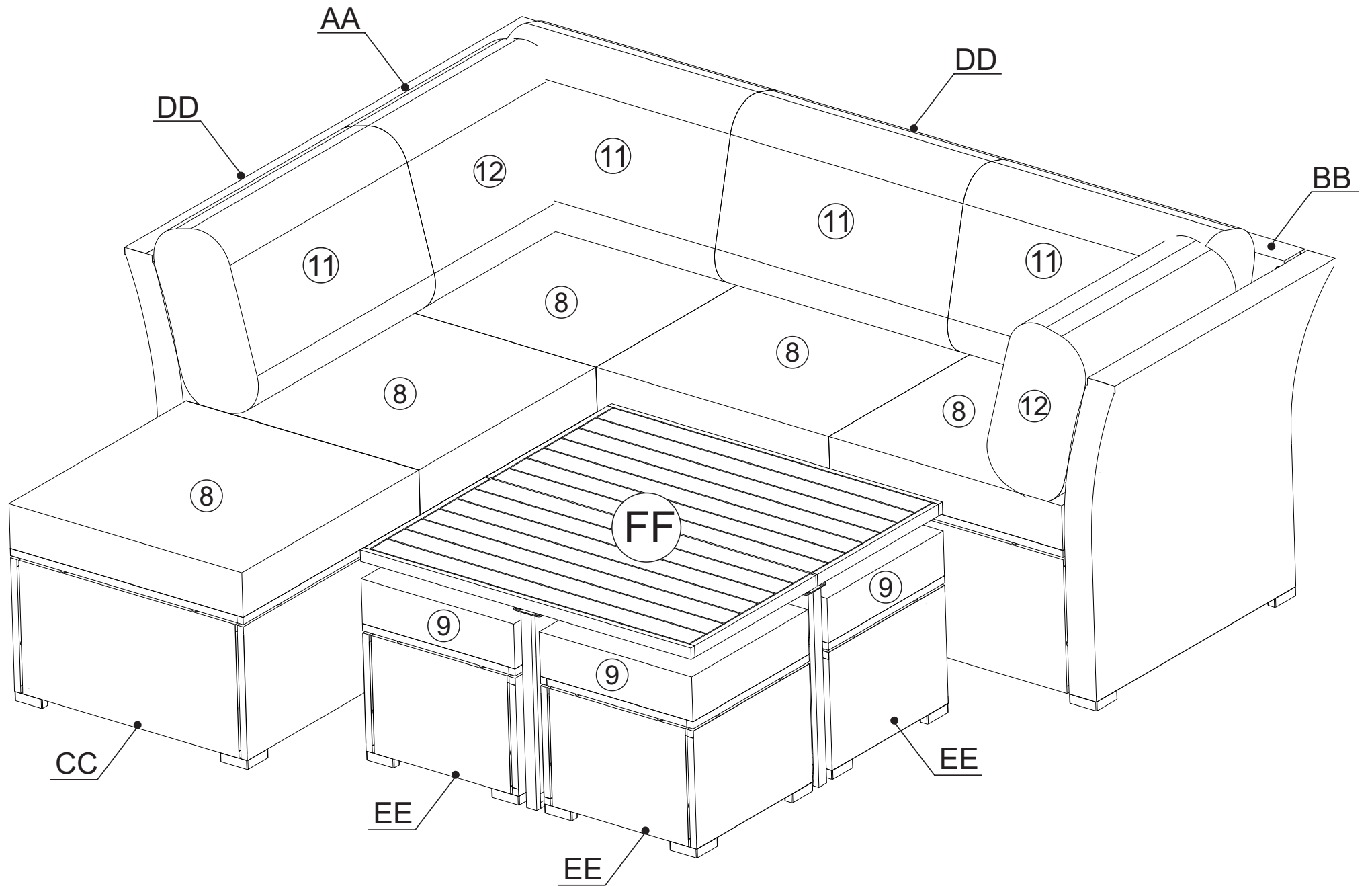
plastic

String

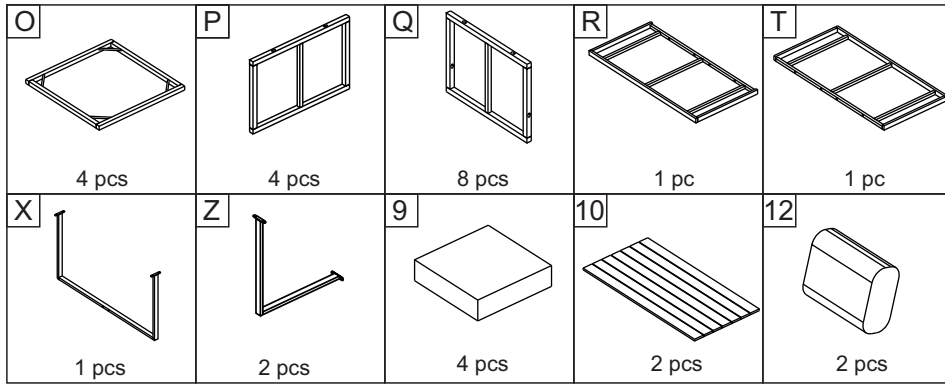
EE

9

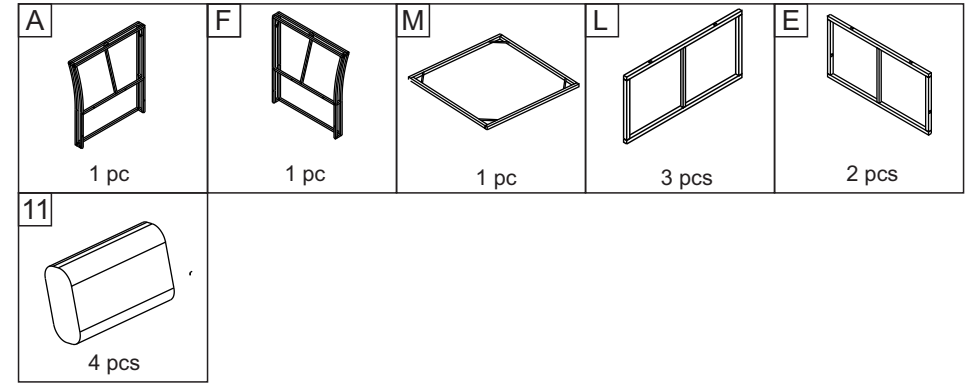




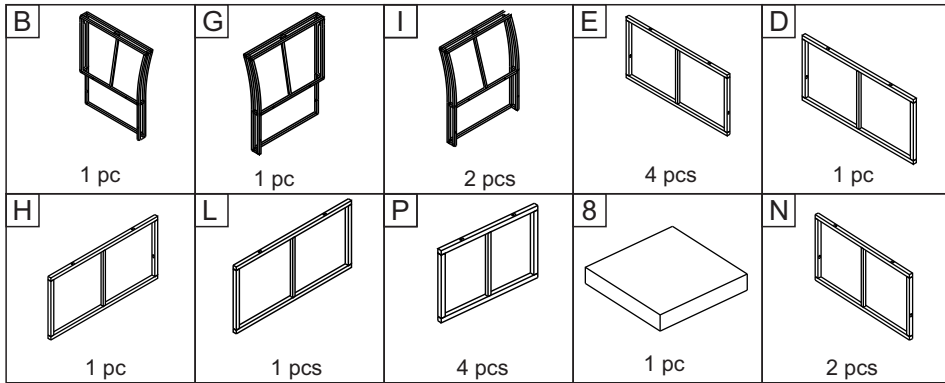
ITEM #: WF317209



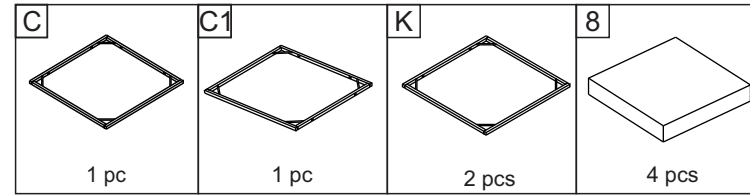
ITEM #: WF317210



ITEM #: WF317211



ITEM #: WF317212



HARWARE

