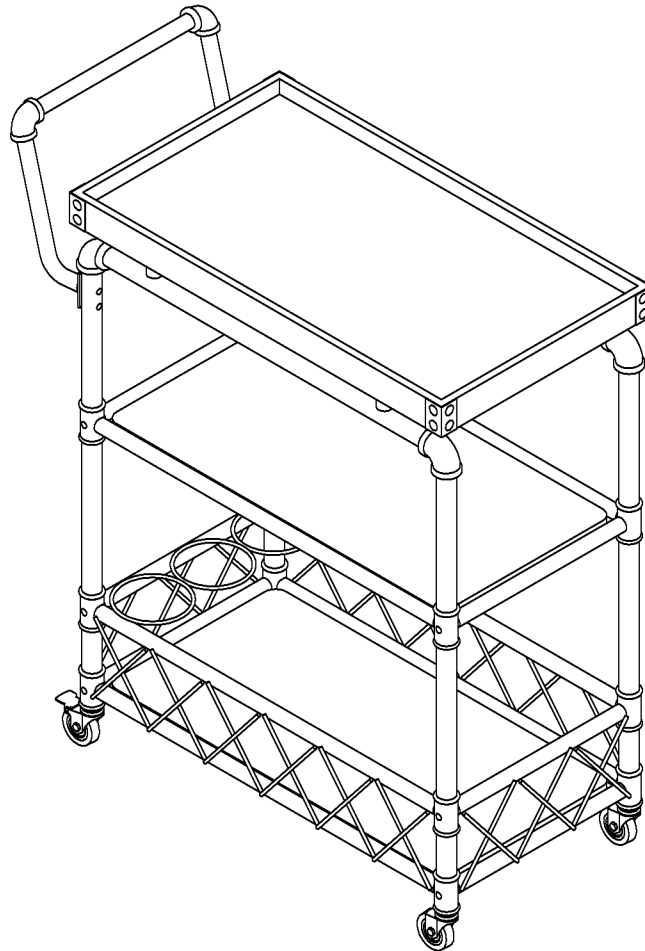


Assembly Instructions



ASSEMBLY RATING

The Assembly Rating is a 5-point system that shows the degree of effort needed in assembling a specific product (with 1 being easy and 5 being difficult). For some products, two persons are recommended.

EASY



DIFFICULT

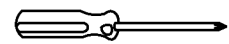
Tools Required For Assembly:

Allen Wrench



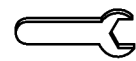
(Included)

Phillips Screwdriver



(Not Included)

Wrench



(Included)

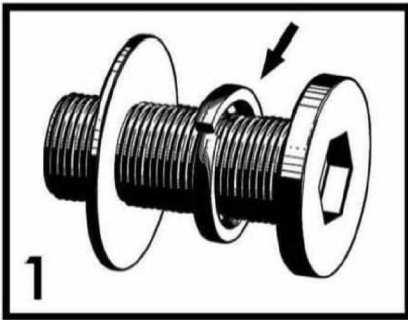


2 PERSONS RECOMMENDED

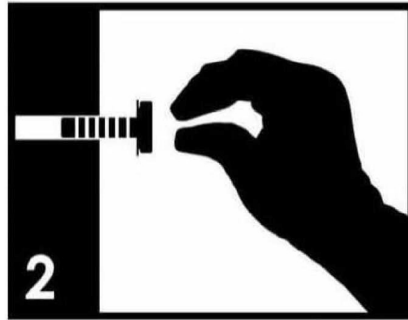
ASSEMBLY & CARE ADVICE

FOR YOUR FURNITURE TO LAST, CORRECT ASSEMBLY AND PROPER MAINTENANCE ARE NECESSARY. PLEASE FOLLOW THE INFORMATION PROVIDED BELOW TO FULLY ENJOY YOUR FURNITURE.

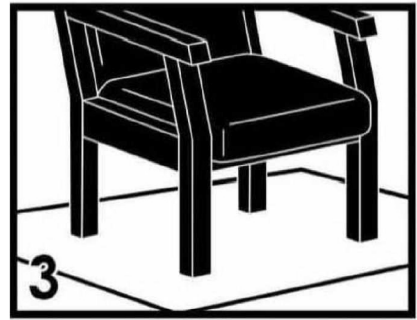
BASIC ASSEMBLY TECHNIQUES



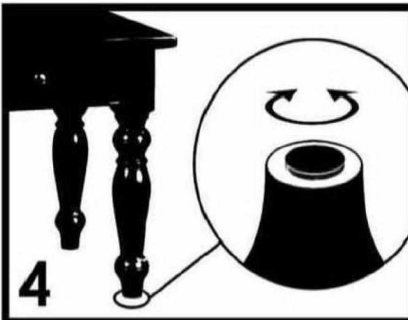
When lock or spring washer is used in an assembly, please make sure the lock or spring washer is placed between the larger flat washer and the head of the screw or bolt.



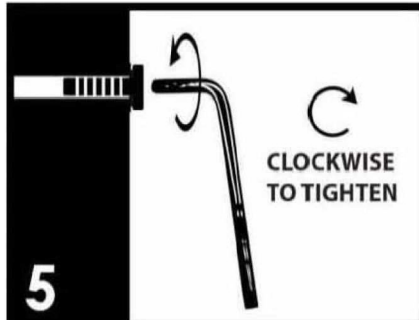
Position each part correctly and insert screws or bolts into their respective holes by hand tighten or using the proper hand tool. Only tighten when step is completed or when instructed to do so.



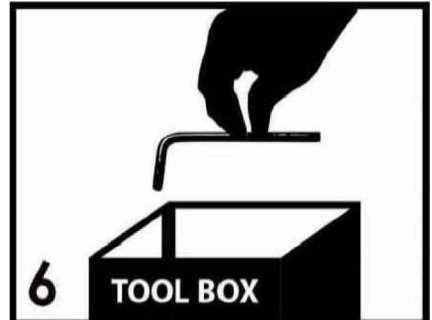
Use cardboard or carpet area when assembling furniture to prevent scratches. Make sure the furniture rests on a flat and level surface with each leg evenly touching the floor.



Some furniture comes with height adjustment knobs underneath each leg. To lower or to raise each leg, you need to turn clockwise or counterclockwise, respectively.



Make sure all parts are properly aligned, then use the appropriate hand tool to completely tighten the bolts or screws. Do not use power tools and do not overtighten.



Save the instructions and store the Allen wrench or any supplied tool for later maintenance. After two weeks, check and tighten any loose hardware and repeat again every six months thereafter.

IT IS THE USER'S RESPONSIBILITY TO MAINTAIN THE FURNITURE. THE HARDWARE MAY LOOSEN OVER TIME AND MAY CAUSE THE FURNITURE TO BE WOBBLY AND UNABLE TO SUPPORT ITS INTENDED WEIGHT CAPACITY. THIS MAY LEAD TO COLLAPSE AND MAY CAUSE SERIOUS INJURY.



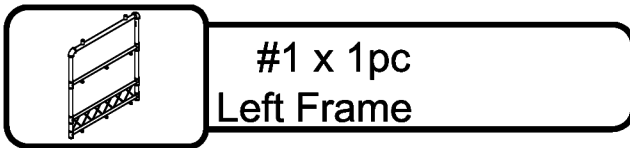
FAILURE TO FOLLOW THE GUIDELINES ABOVE MAY RESULT IN INJURY AND/OR PROPERTY DAMAGE.



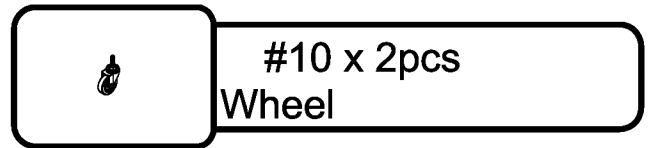
Before you begin, please read Page 2 of "Assembly and Care Advice".

And remember, do not tighten until each step is completed or instructed.

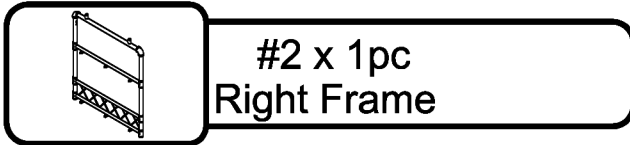
Parts List



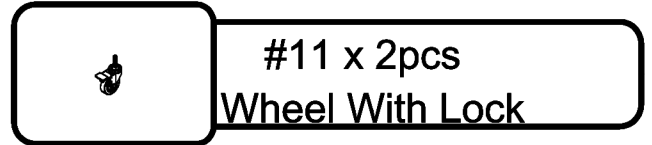
#1 x 1pc
Left Frame



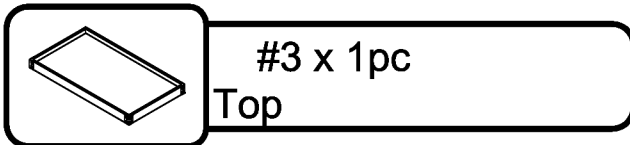
#10 x 2pcs
Wheel



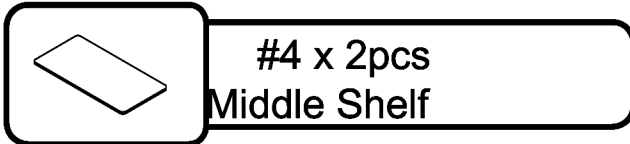
#2 x 1pc
Right Frame



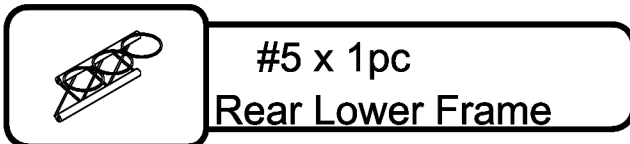
#11 x 2pcs
Wheel With Lock



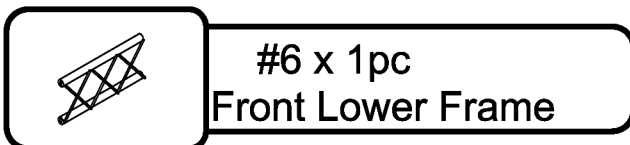
#3 x 1pc
Top



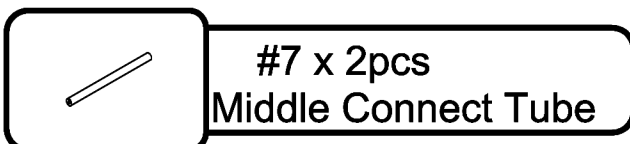
#4 x 2pcs
Middle Shelf



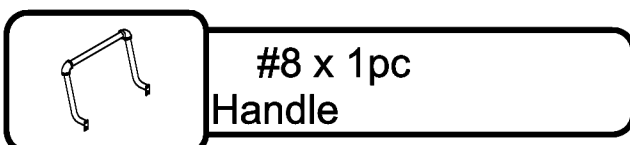
#5 x 1pc
Rear Lower Frame



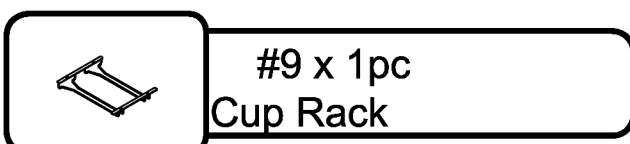
#6 x 1pc
Front Lower Frame



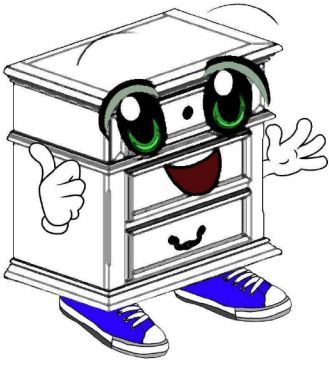
#7 x 2pcs
Middle Connect Tube



#8 x 1pc
Handle



#9 x 1pc
Cup Rack



Before you begin, please read Page 2 of "Assembly and Care Advice".

And remember, do not tighten until each step is completed or instructed.

Hardware List



#A x 6pcs
Bolt 1/4"x5/8"



#B x 14pcs
Bolt 1/4"x1-3/4"



#C x 4pcs
Bolt 1/4"x2-3/4"



#D x 12pcs
M5x10



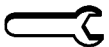
#E x 2pcs
Allen Wrench M4



#F x 4pcs
Washer Ø25xØ6x2.0



#G x 2pcs
Nut M6x22



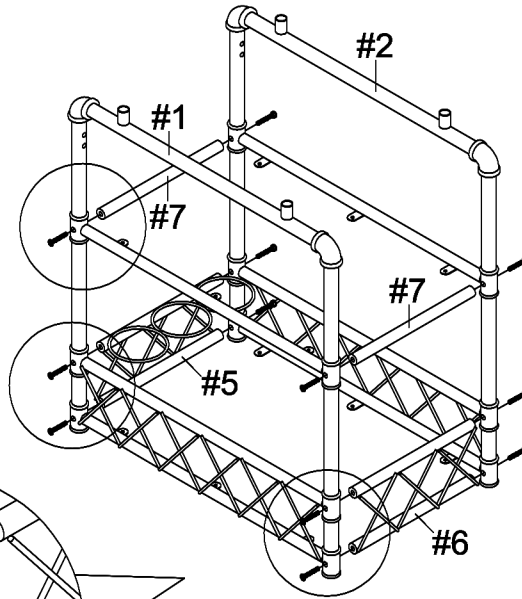
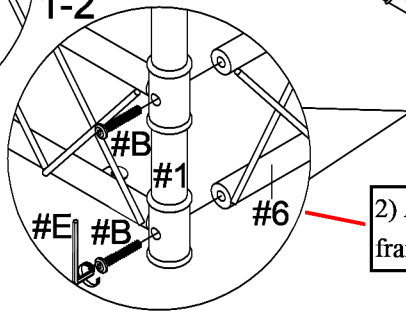
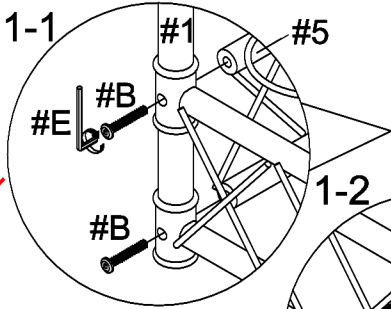
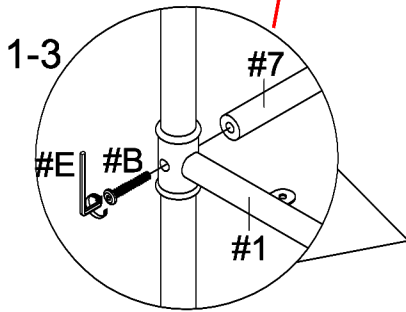
#H x 1pc
Wrench



#1

3) Align middle connect tubes (#7) to the left and right frames (#1,#2). Secure with bolts (#B) by using the Allen wrench (#E).

#B x 12pcs



1) Align rear lower frame (#5) to the left and right frame (#1,#2). Secure with bolts (#B) by using the Allen wrench (#E).

2) Align front lower frame (#6) to the left and right frame (#1,#2). Secure with bolts (#B).

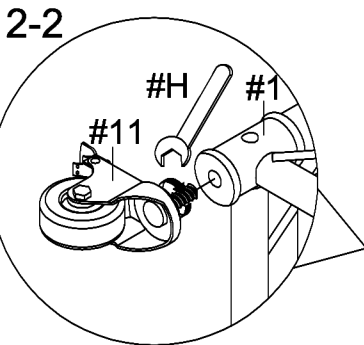


#2

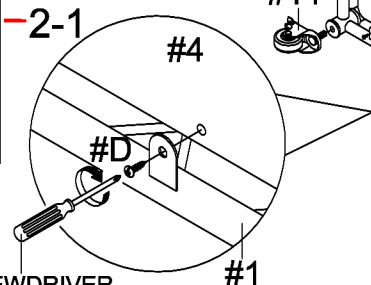
Lay the cart to its side.

#D x 12pcs

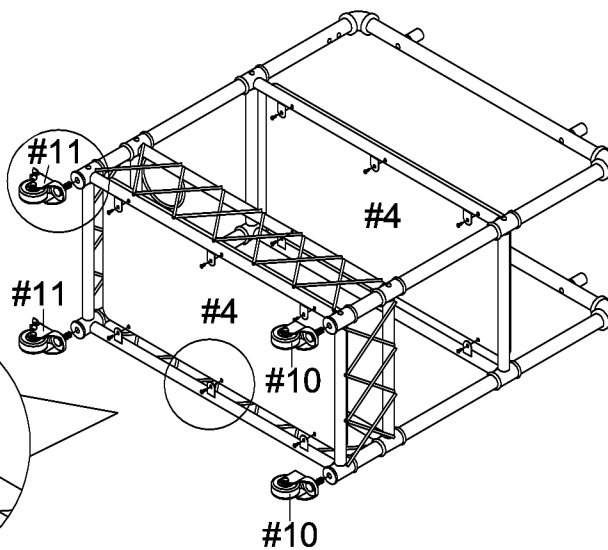
2) Attach wheel with lock (#11) to the left frame (#1), then attach wheels (#10) to right frame (#2). Secure with a wrench (#H).



1) Align the middle shelf (#4) to the bottom of the cart. Secure with screws (#D) by using a screwdriver.



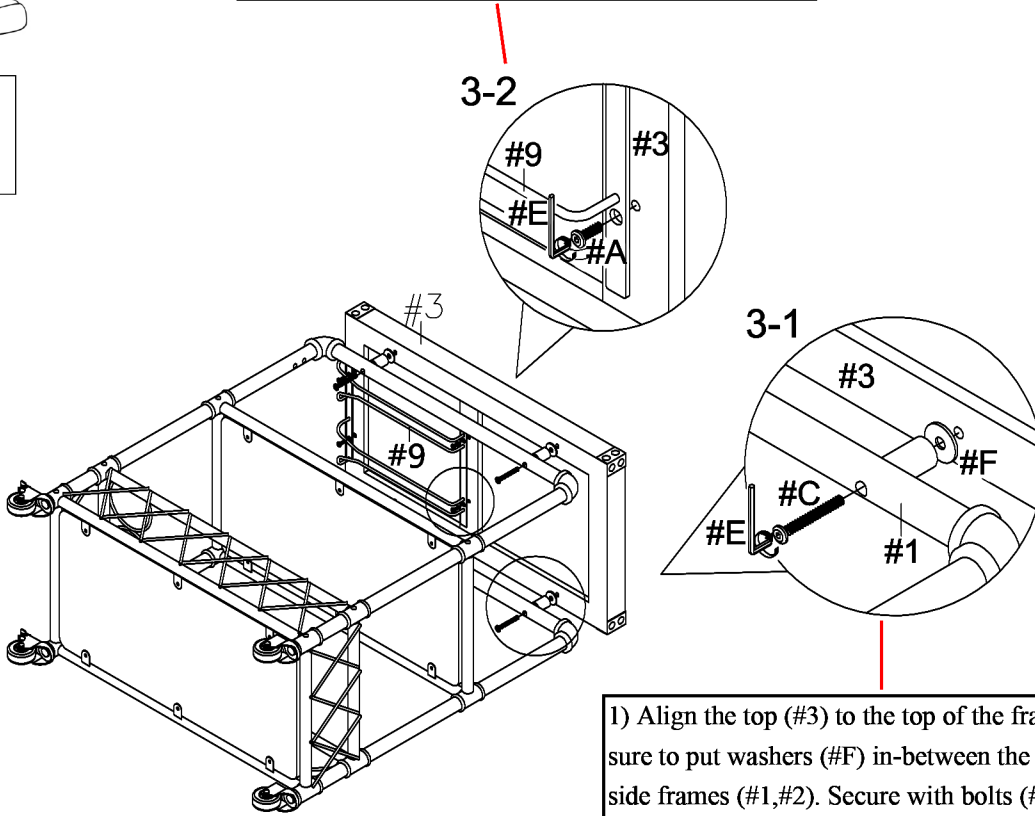
SCREWDRIVER (NOT PROVIDED)





2) Align cup rack (#9) to the bottom of the top (#3).
Secure with bolts (#A).

#A x 4pcs
#C x 4pcs
#F x 4pcs



1) Align the top (#3) to the top of the frames. Make
sure to put washers (#F) in-between the top (#3) and
side frames (#1,#2). Secure with bolts (#E).



#A x 2pcs
#B x 2pcs
#G x 2pcs

Attach the handle (#8) to the left and right
frames (#1,#2), then secure with bolts (#A,#B)
and nut (#G).

