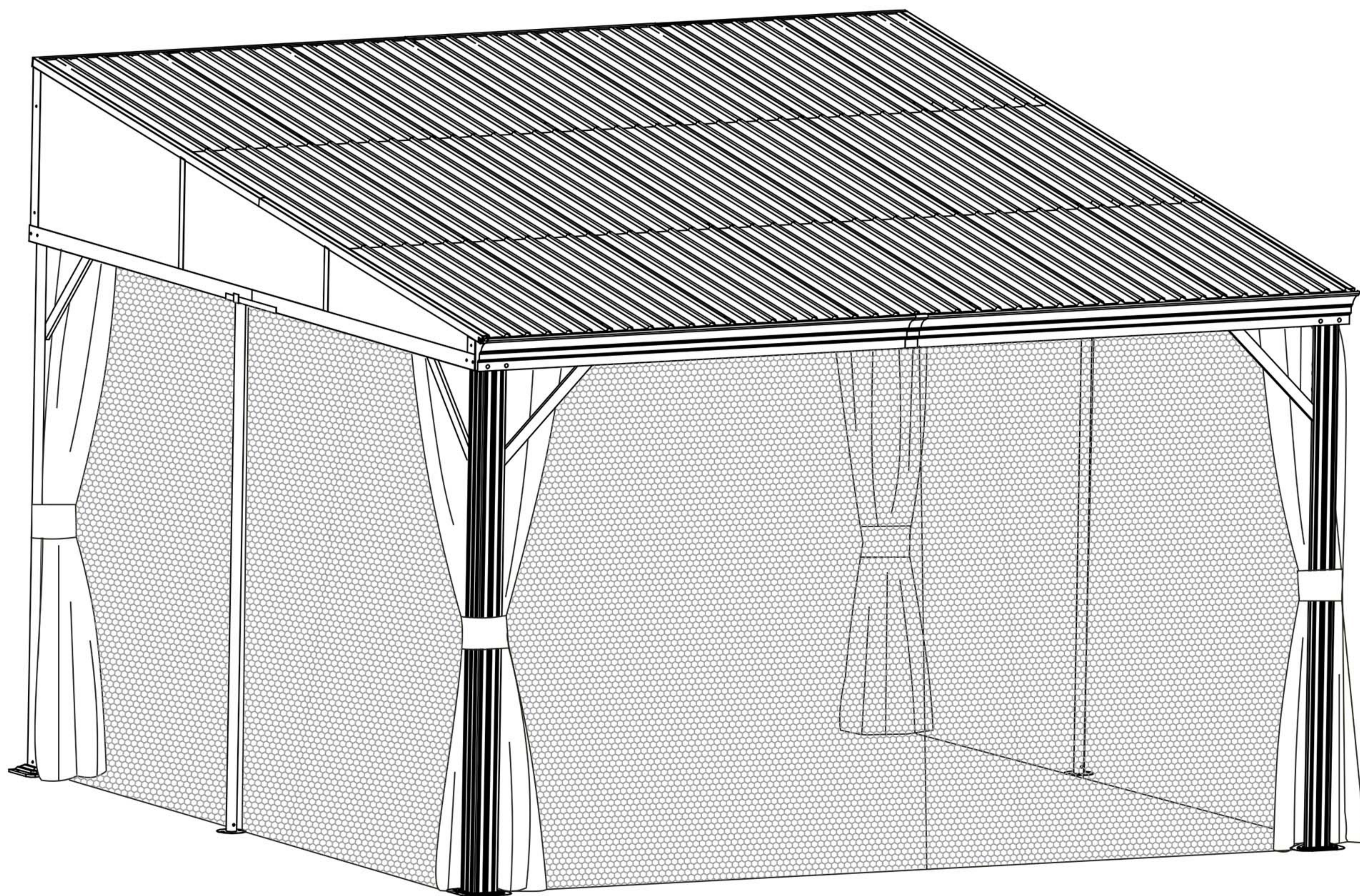


Iron Roof
Wall Mounted Gazebo 10X12FT

SKU: B001G061-1
B001G061-2
B001G061-3

ASSEMBLY INSTRUCTIONS



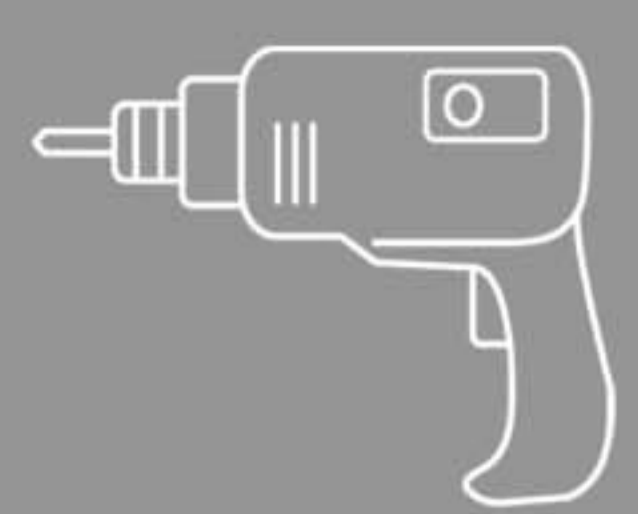
Please check the number of parts in the following accessory catalogue when unpacking. We have sent you more small parts for spare. If there is any missing or any questions about the installation. Please feel free to contact us. We will reply within 24 hours.



E-mail: cs.helper01@gmail.com

TOOLS RECOMMENDED

*NOTE: The recommended tools are not included in boxes and need to be prepared by yourself.



DRILL



RUBBER Mallet



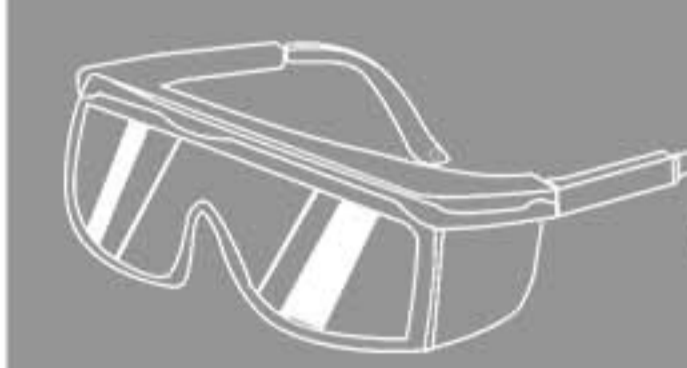
STEPLADDER
(6.5Ft Or More)



SAFETY HAT



GLOVES



SAFETY GOGGLES

ATTENTIONS



Since it is easy to lose many small accessories during the installation, please collect all the screw accessories before the assembly is completed



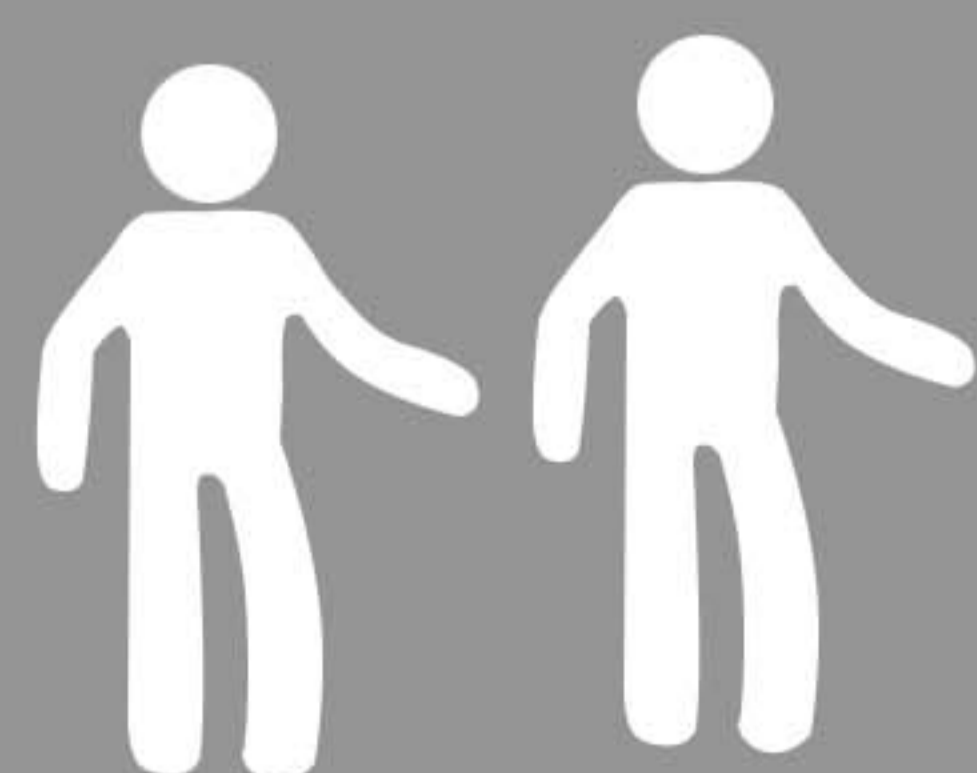
To better align the screws for practical situations, do not fully tighten screws initially



Please reinforced the Gazebo and do not use in heavy winds or inclement weather



Make sure all screws are tightened before use and check all screws, buckles and straps every 90 days

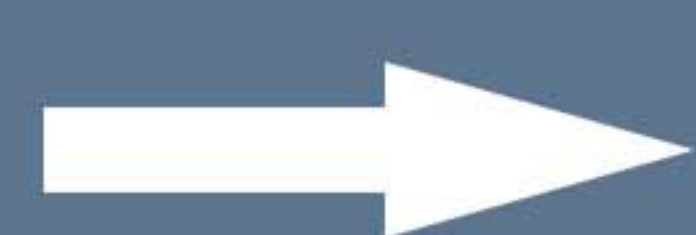


Two or more people are required for assembly



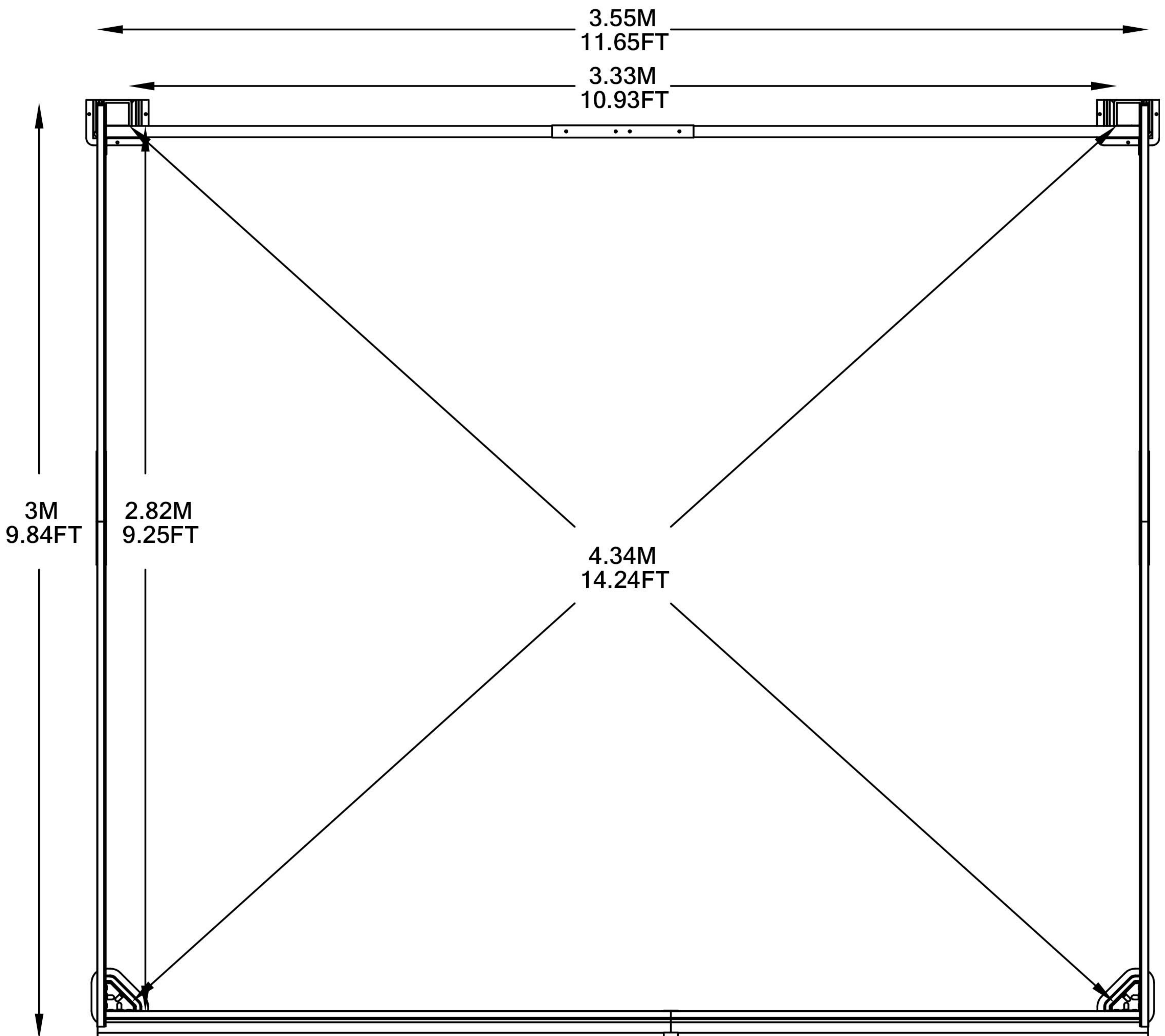
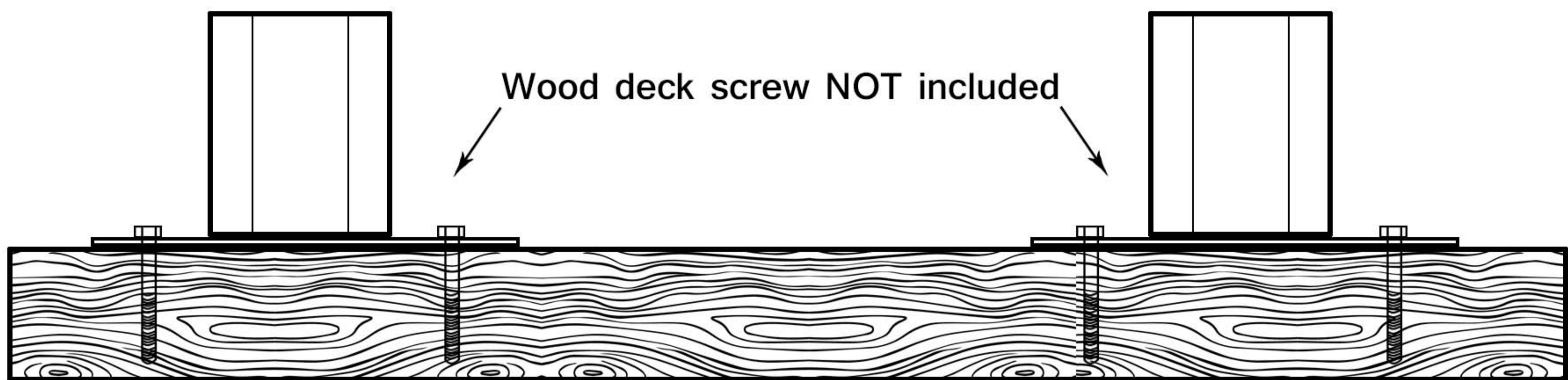
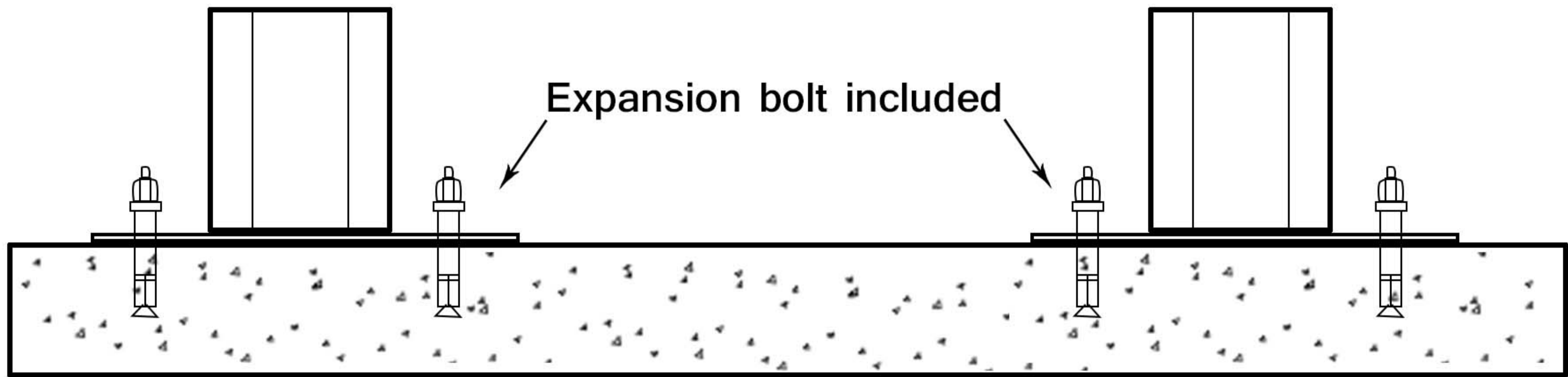
Please clear the snow off the roof in time for the heavy snowfall and do not use it

Please take care of the screws and contact the after-sales service if there is any problem with the installation or parts.



Permanent Installation Examples

Our supporting expansion screws can only be used for cement floors, customers need to bring their own special screws if they are used for wood floors



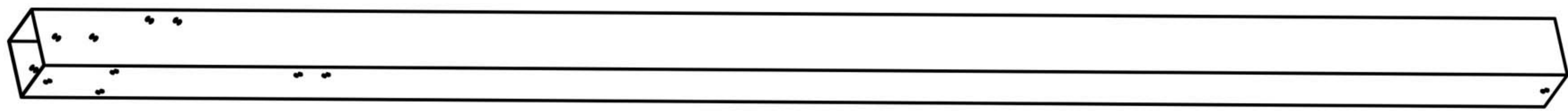
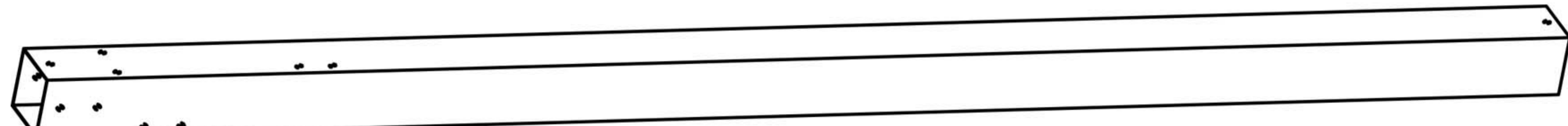
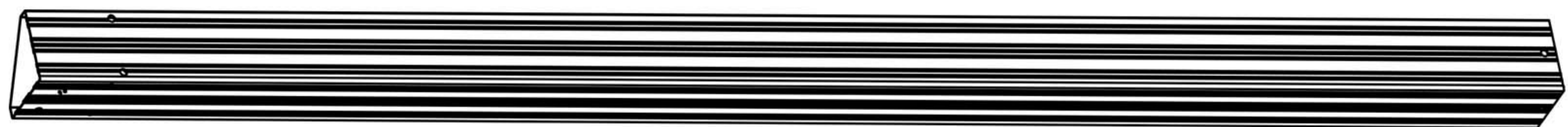


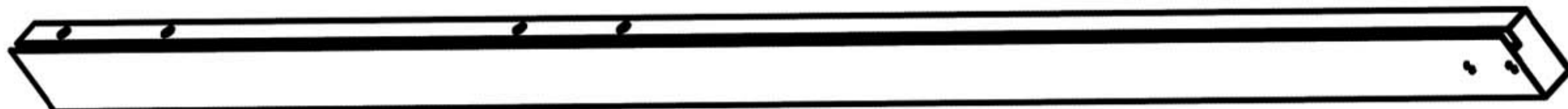
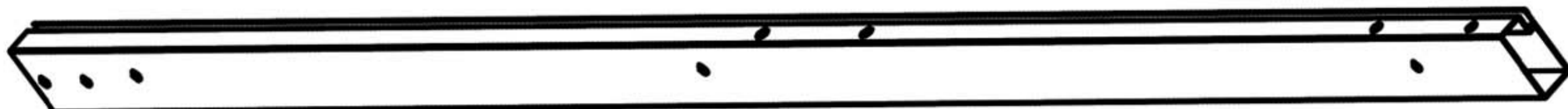
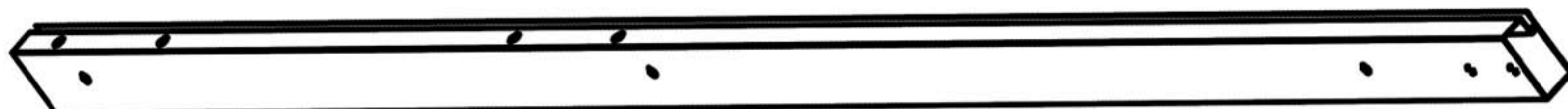
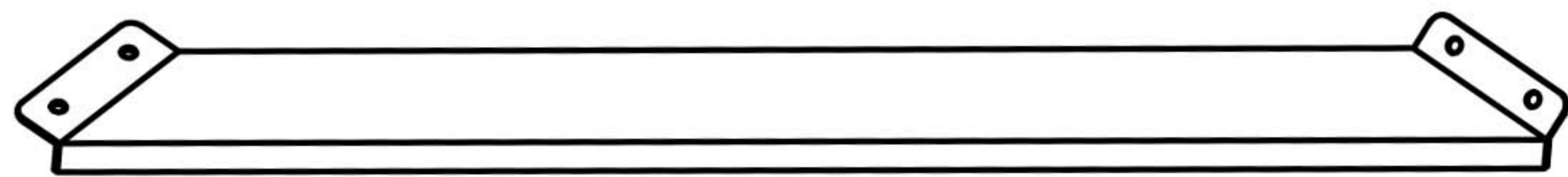
Please take care of the screws and contact the after-sales service if there is any problem with the installation or parts.

➔ ✉ E-mail: cs.helper01@gmail.com

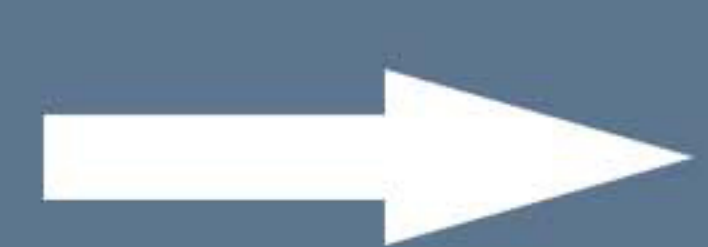
ACCESSORY CATALOGUE

BOX 1

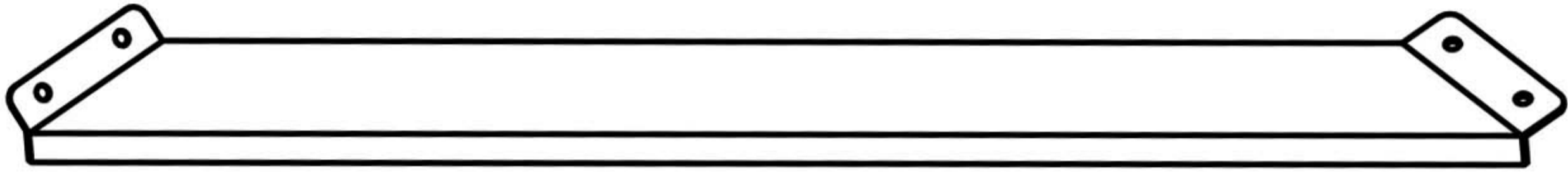
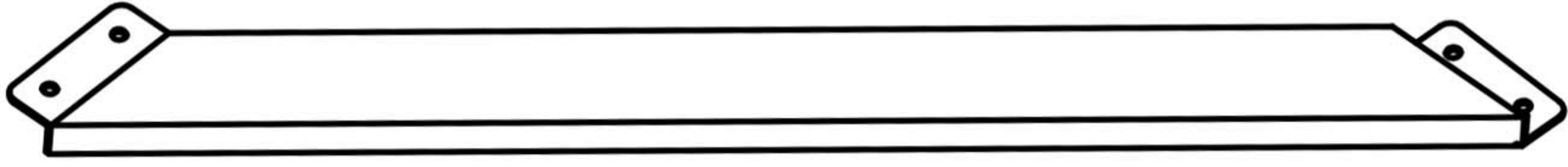
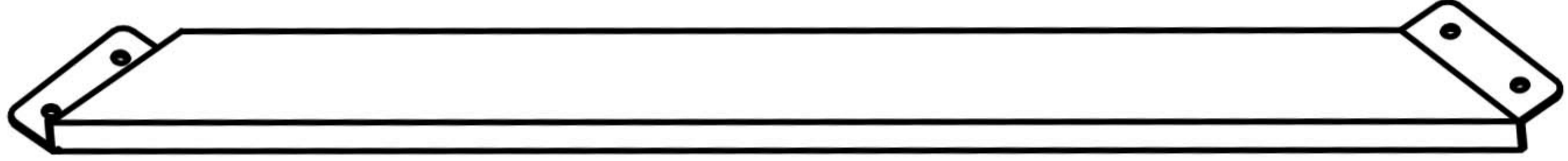
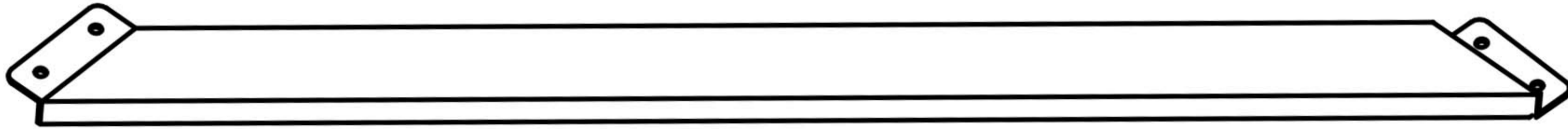
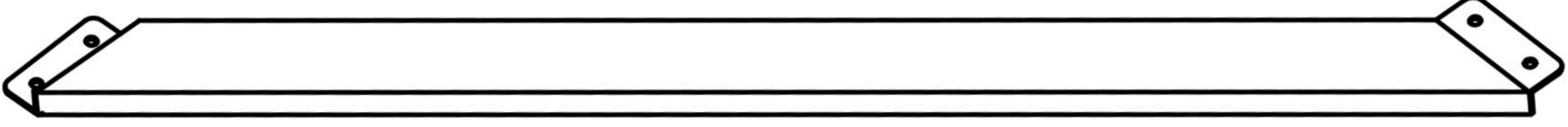
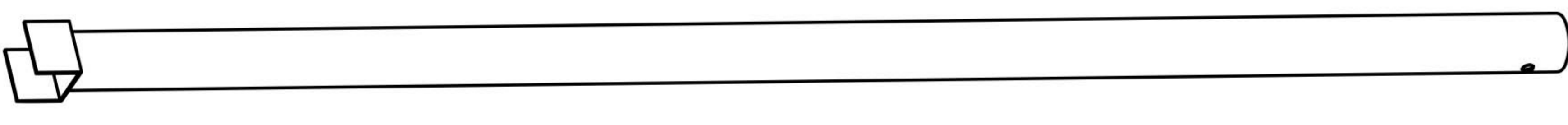
SKU: B001G061-1

Item no.	Reference Image	Qty.
A1		1
A3		1
A5		1
A6		1
D		1
D1		1
D2		1
D3		1
F		2

Please take care of the screws and contact the after-sales service if there is any problem with the installation or parts.

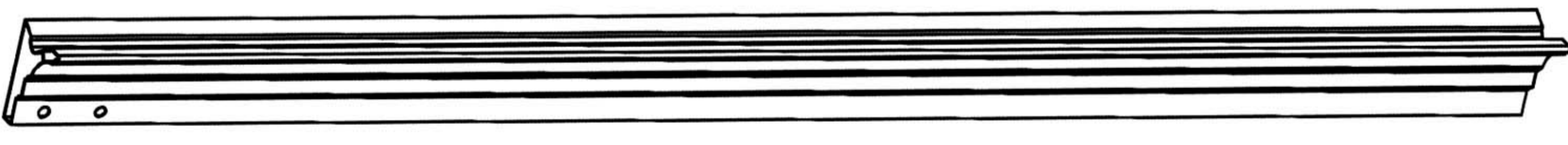
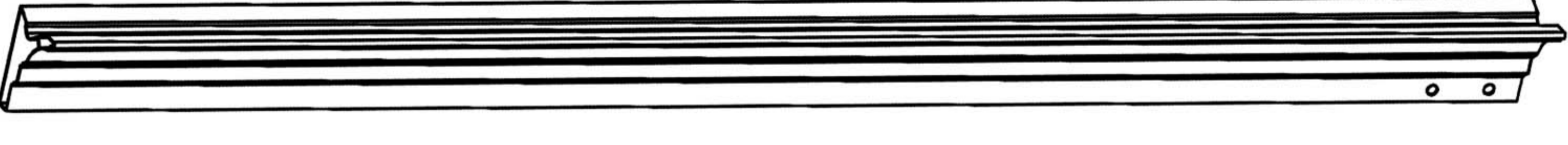


ACCESSORY CATALOGUE

Item no.	Reference Image	Qty.
F1		2
F2		1
F3		1
F4		1
F5		1
V		2

BOX 2

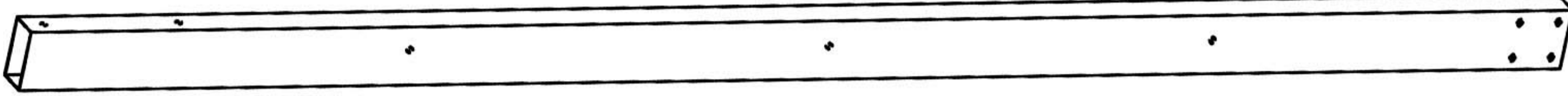
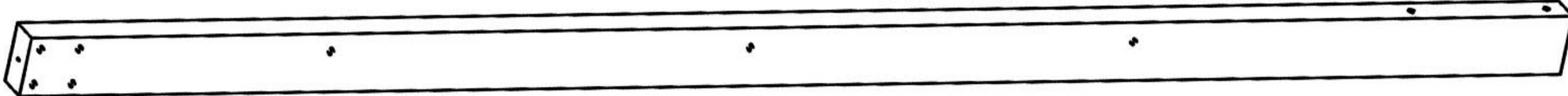
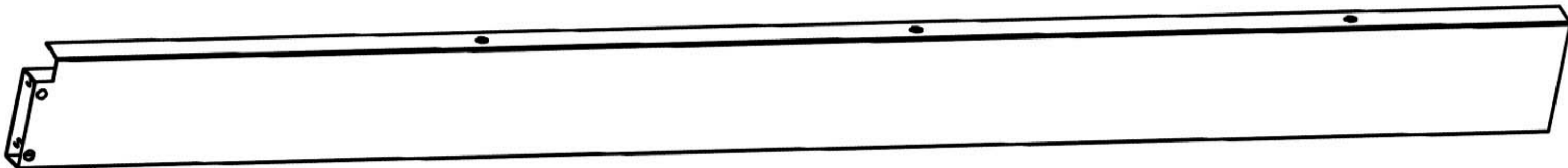
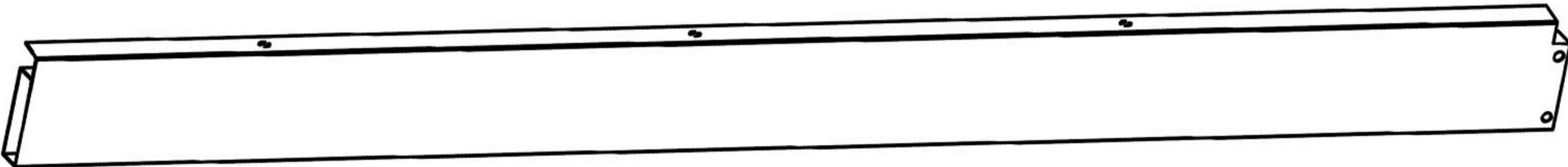
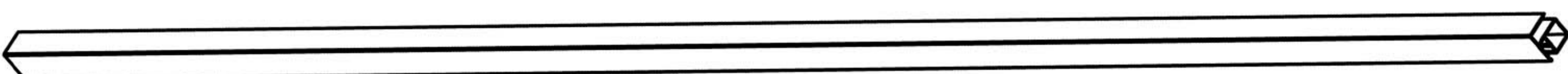
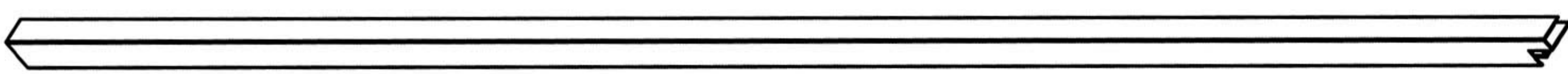
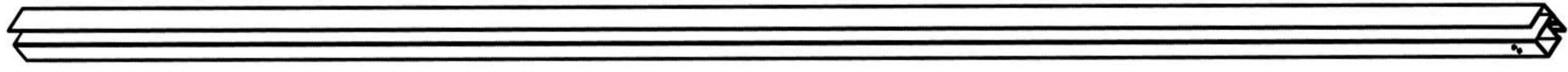
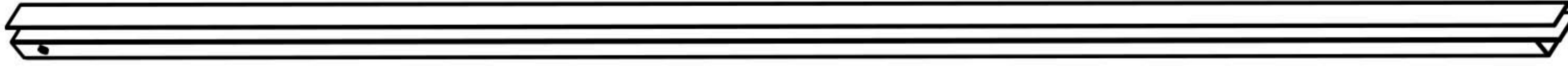
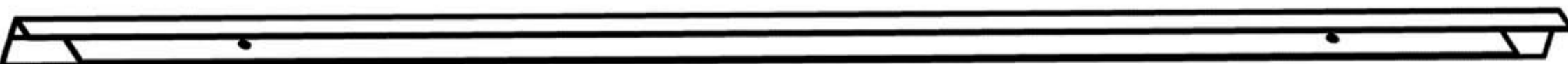
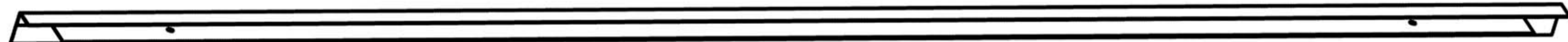
SKU: B001G061-2

Item no.	Reference Image	Qty.
B		1
B1		1

Please take care of the screws and contact the after-sales service if there is any problem with the installation or parts.

➔ ✉ E-mail: cs.helper01@gmail.com

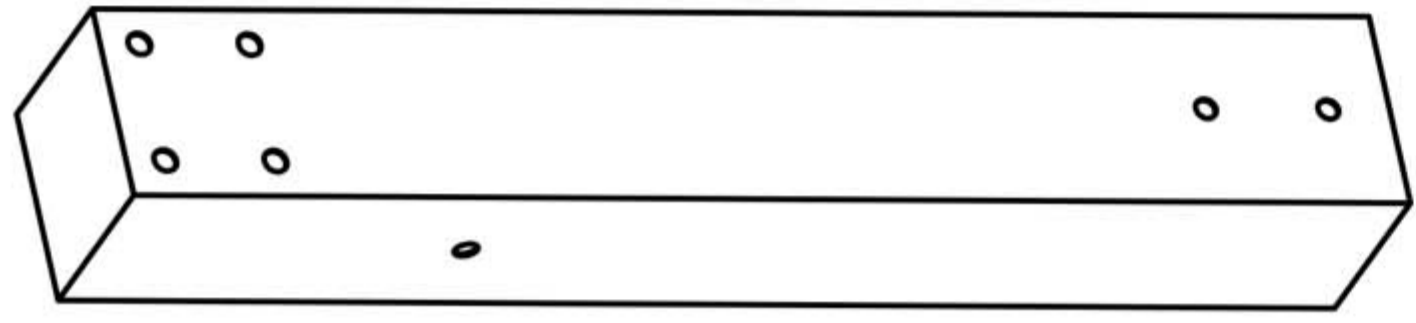
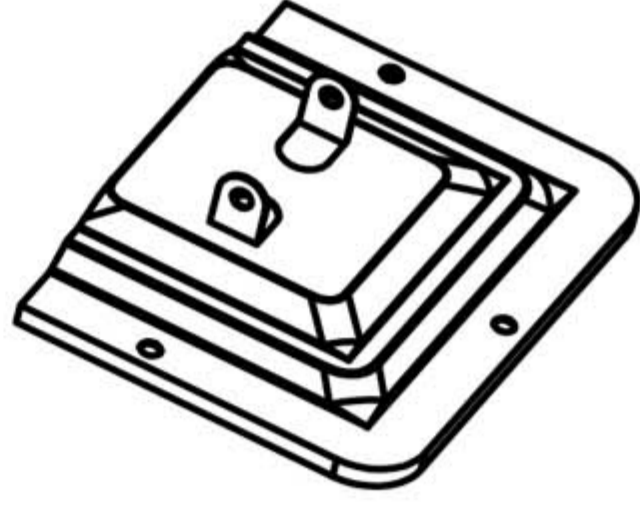
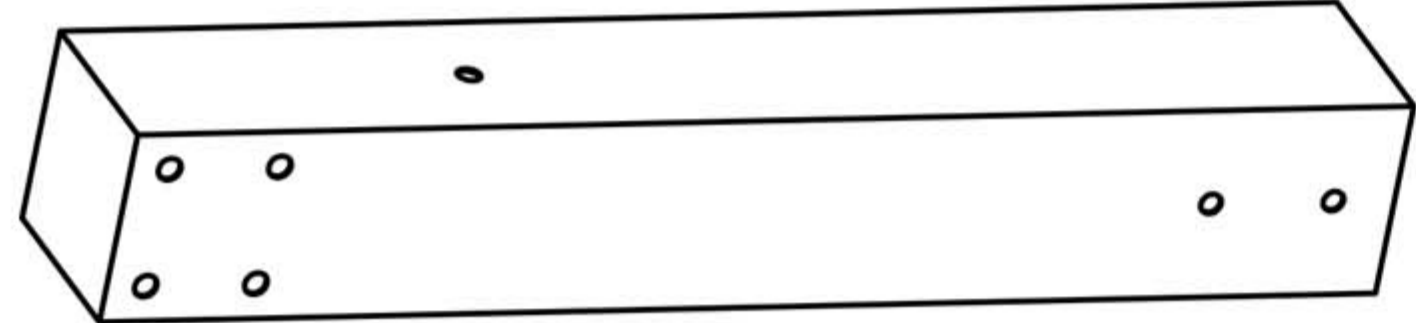
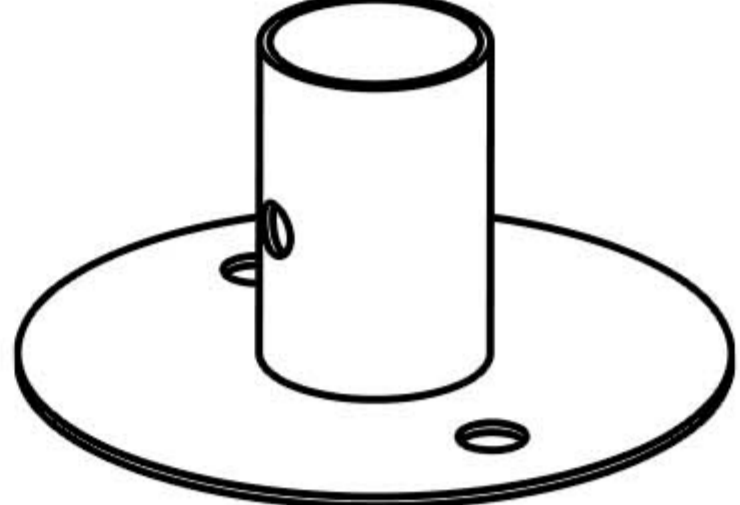
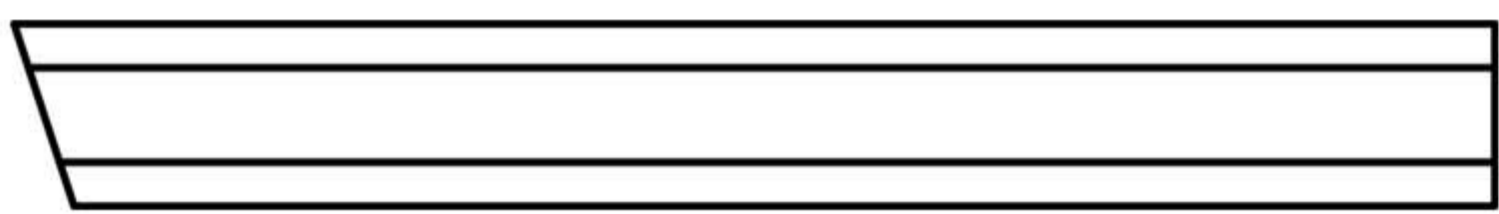
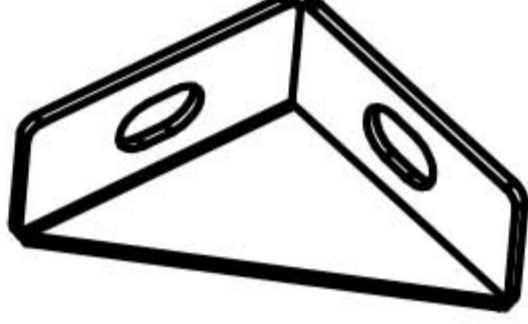
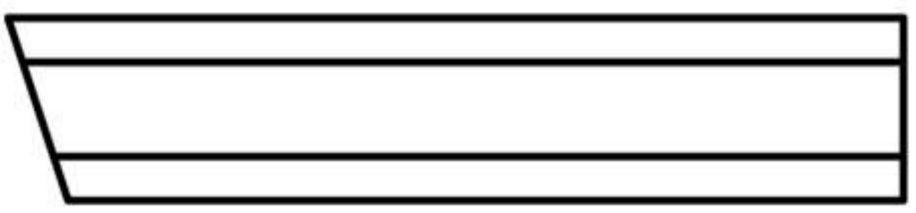
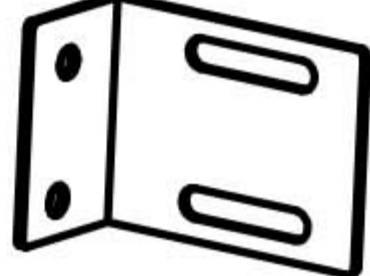
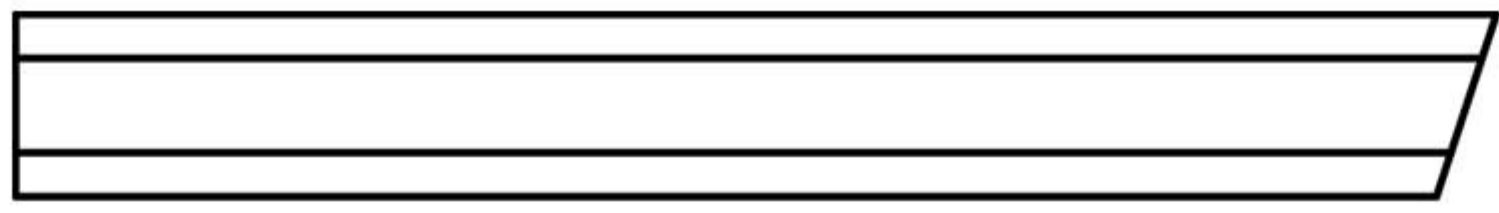
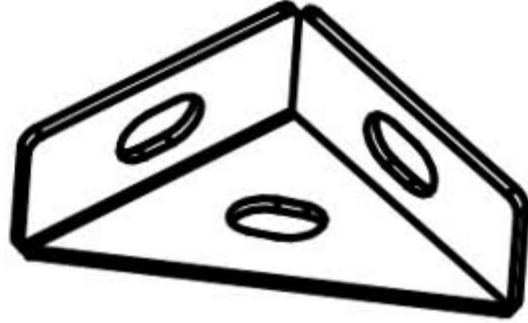
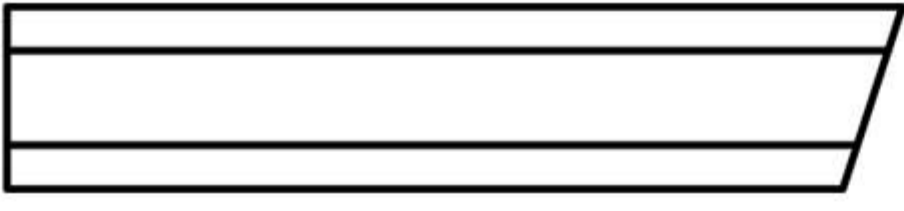
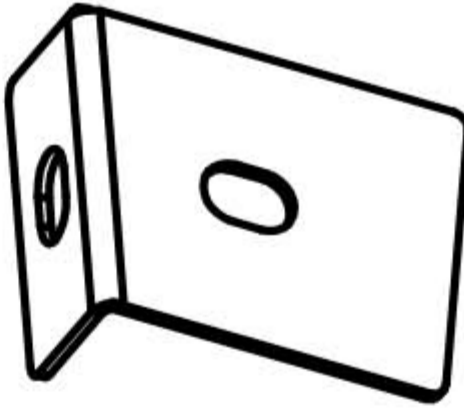
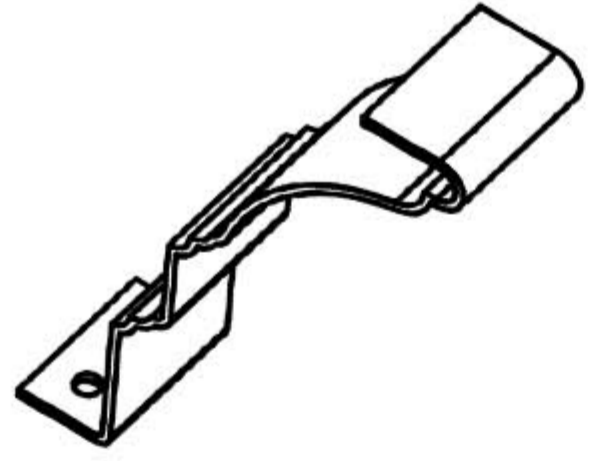
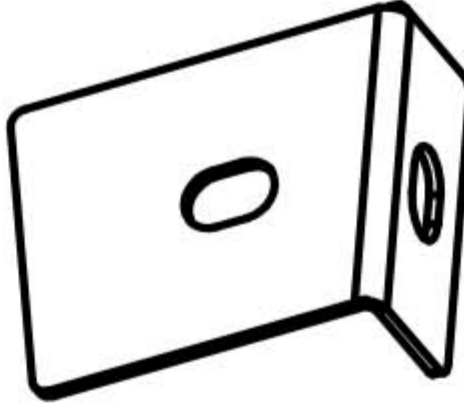
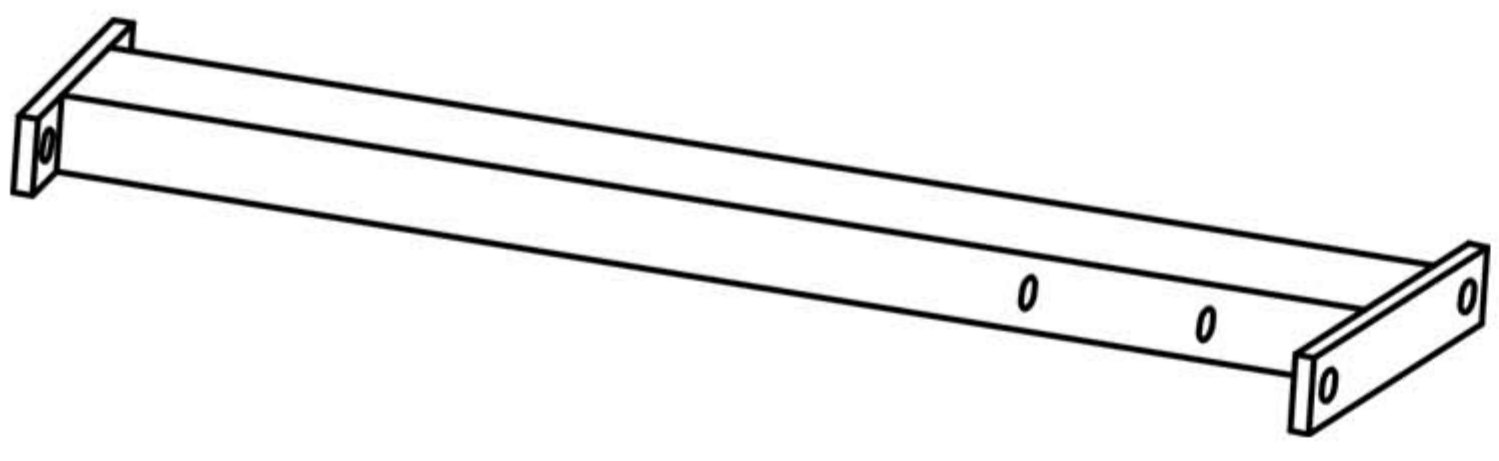
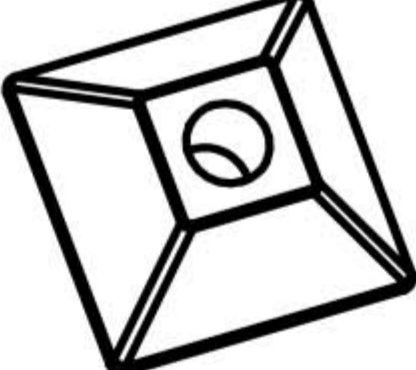
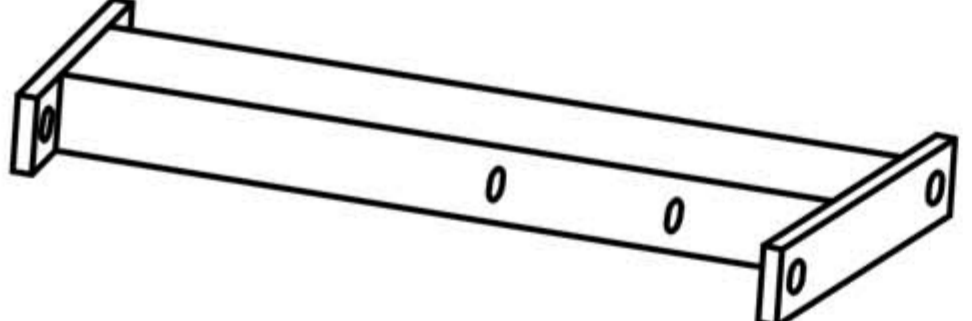
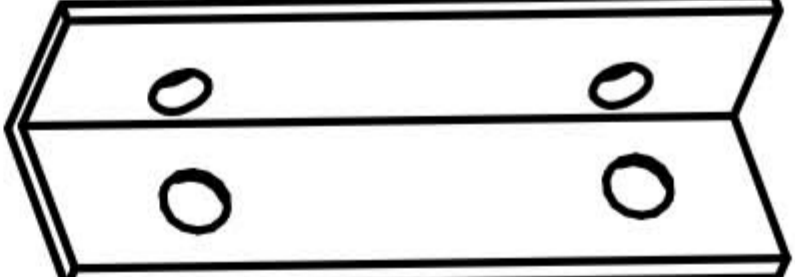

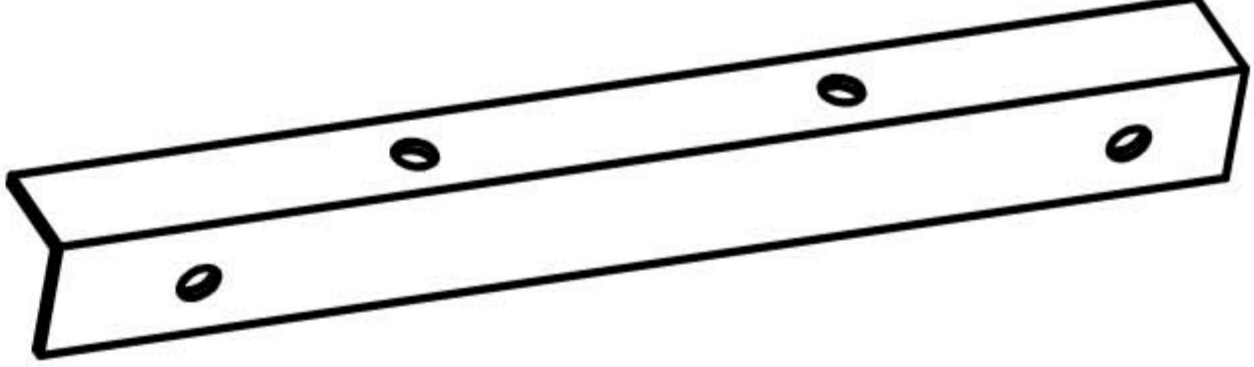
ACCESSORY CATALOGUE

Item no.	Reference Image	Qty.
B2		1
B3		1
C		2
C1		2
E		1
E1		1
E2		1
E3		1
G		1
G1		2

Please take care of the screws and contact the after-sales service if there is any problem with the installation or parts.



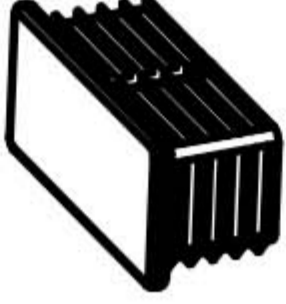
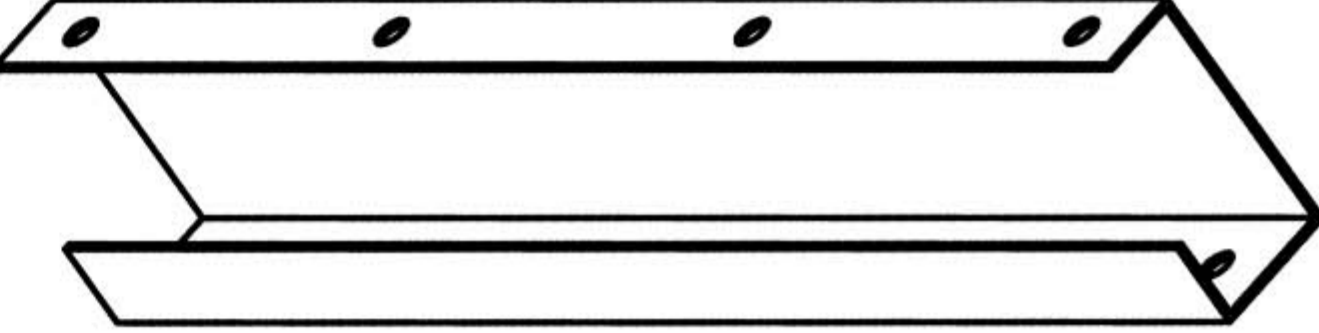
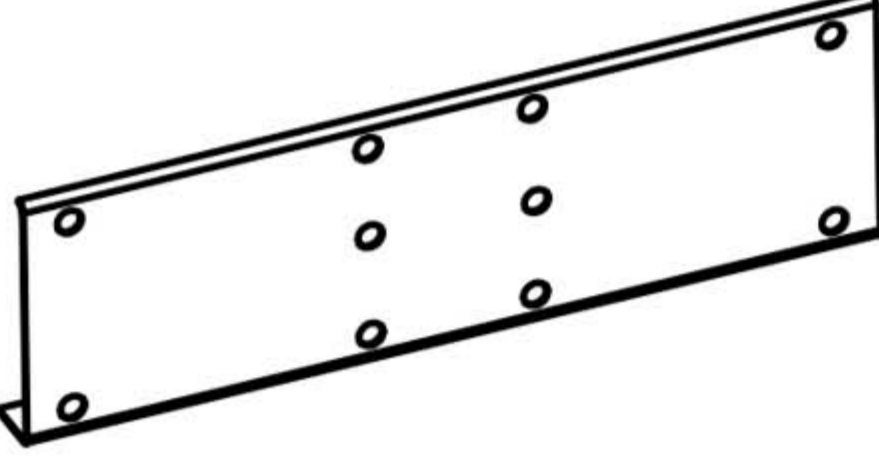
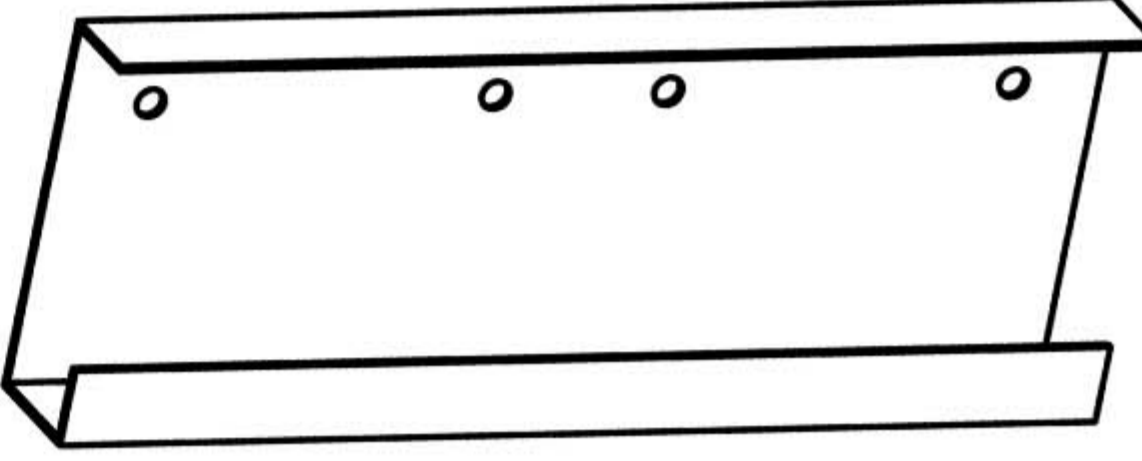
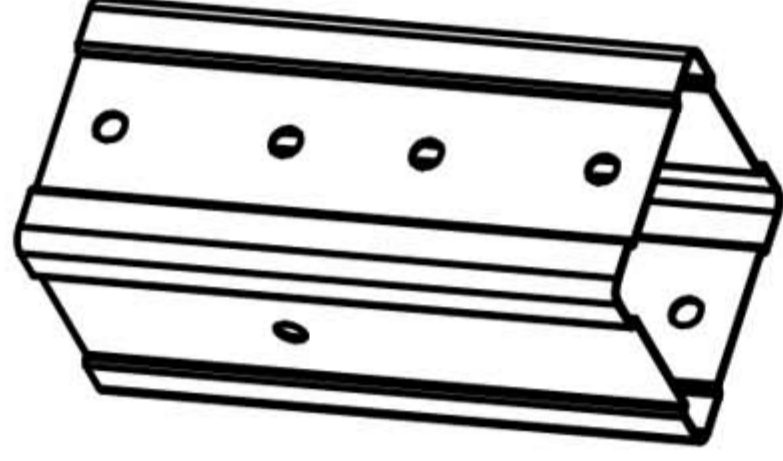

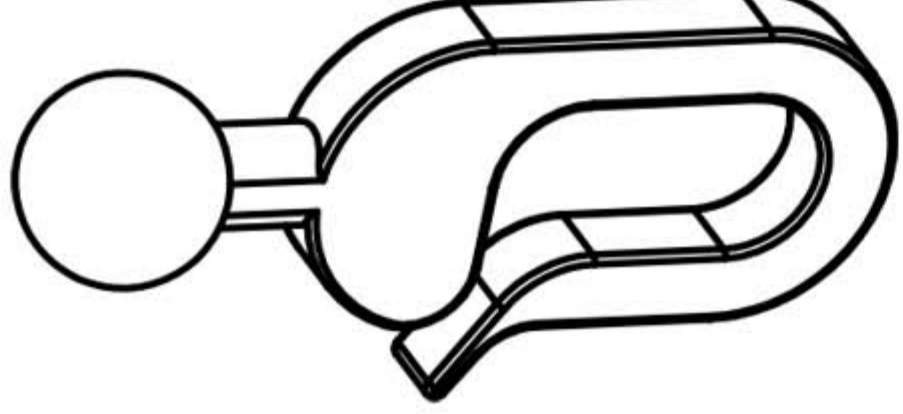
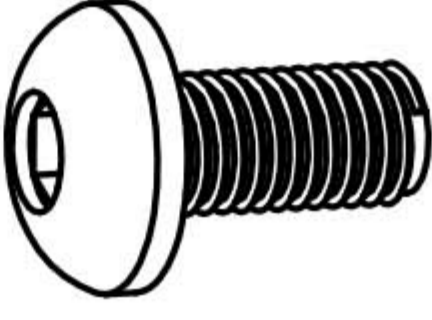

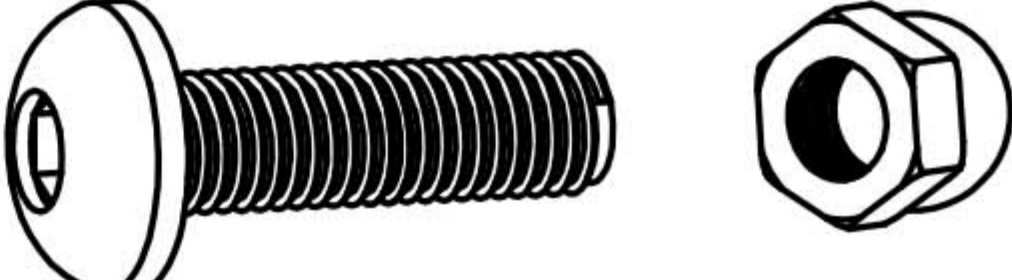



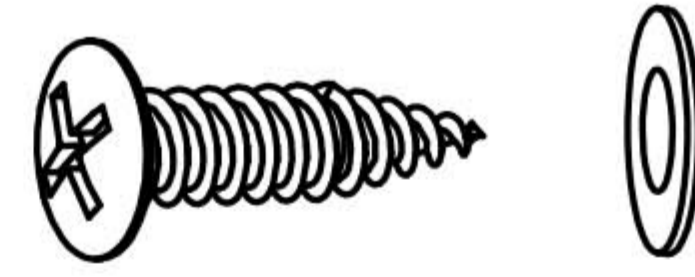
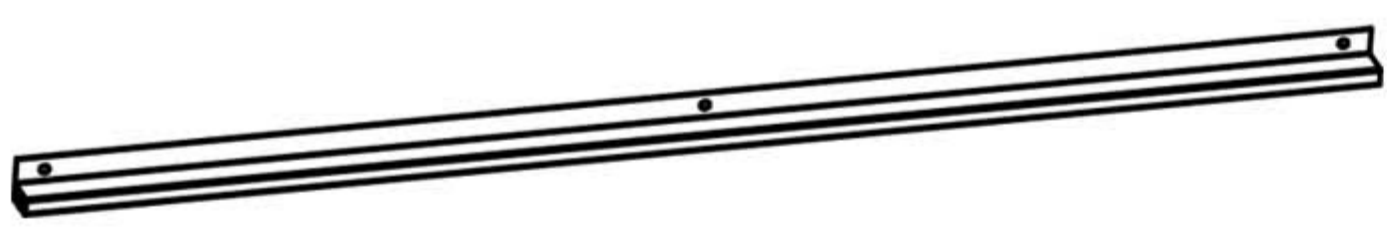
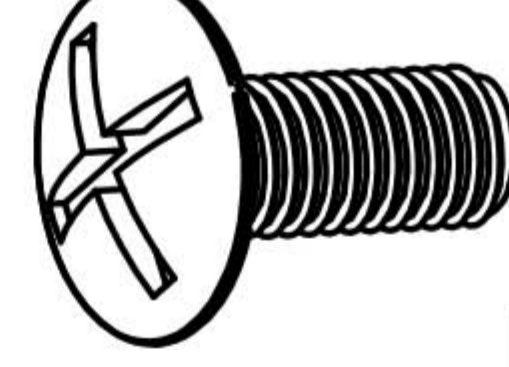

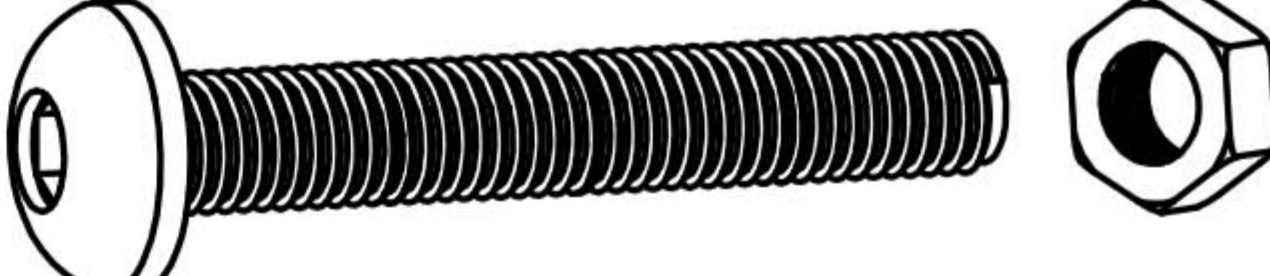
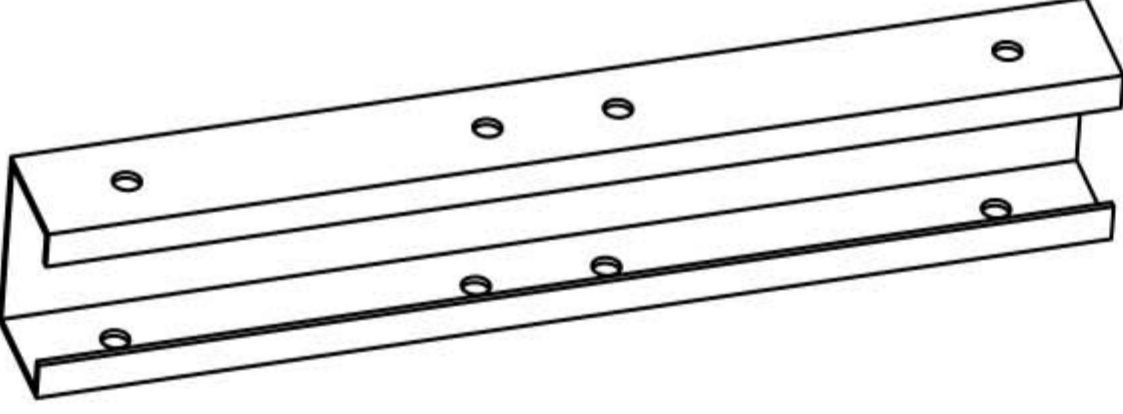
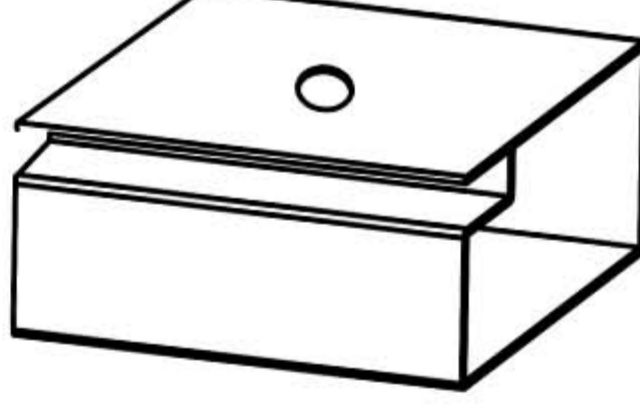
ACCESSORY CATALOGUE

Item no.	Reference Image	Qty.	Item no.	Reference Image	Qty.
A2		1	L1		2
A4		1	L2		2
I1		1	M		12
I2		1	M1		2
I3		1	M2		2
I4		1	M3		1
J2		1	M4		1
K		2	M5		24
K1		2	M6		2
L		2	M7		2

Please take care of the screws and contact the after-sales service if there is any problem with the installation or parts.

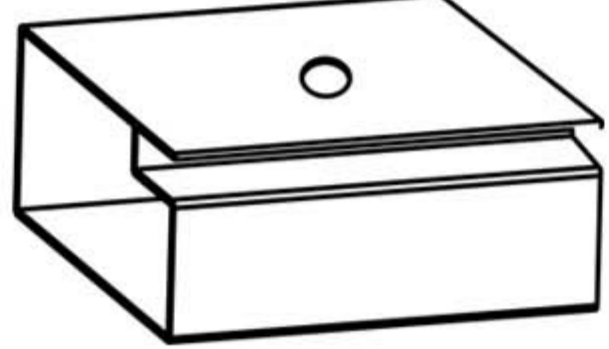
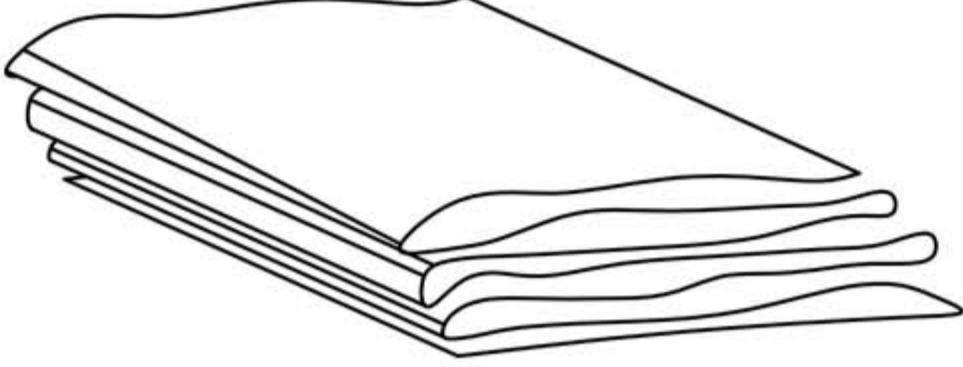
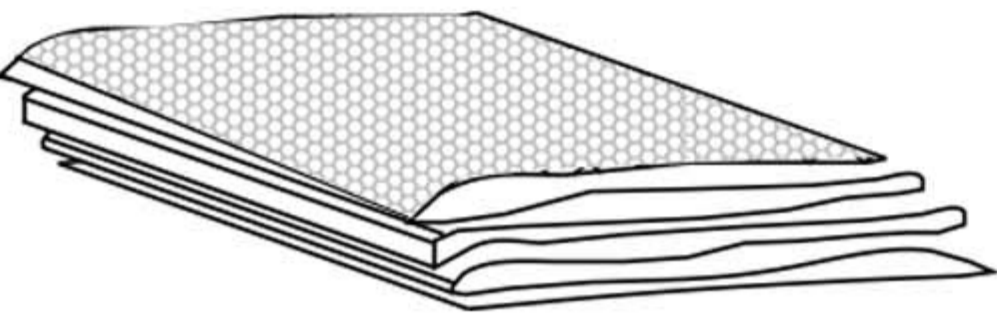
➔ ✉ E-mail: cs.helper01@gmail.com


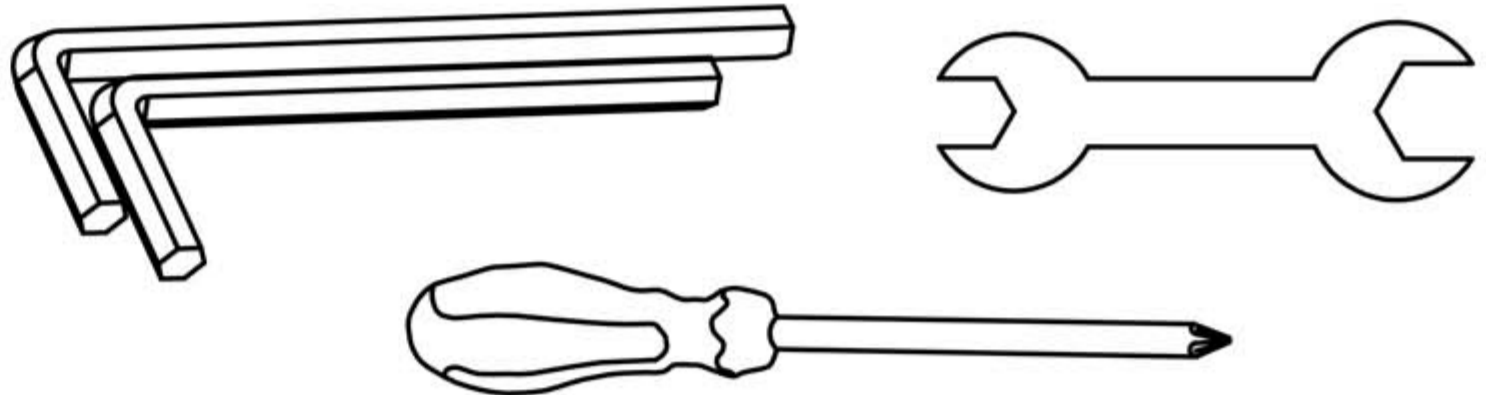

ACCESSORY CATALOGUE

Item no.	Reference Image	Qty.	Item no.	Reference Image	Qty.
M8		12	T1		2
P		1	T2		2
P1		2	X	 M6X10mm	30
Q		52	X1	 M6X15mm	150
R1		1	X2	 M6X20mm	24
R2		1	X3	 M5X15mm	32
S		2	X4	 M4X10mm	6
S1		2	X5	 M5X15mm	4
W		2	X6	 M6X47mm	2
T		1	H1		1

Please take care of the screws and contact the after-sales service if there is any problem with the installation or parts.

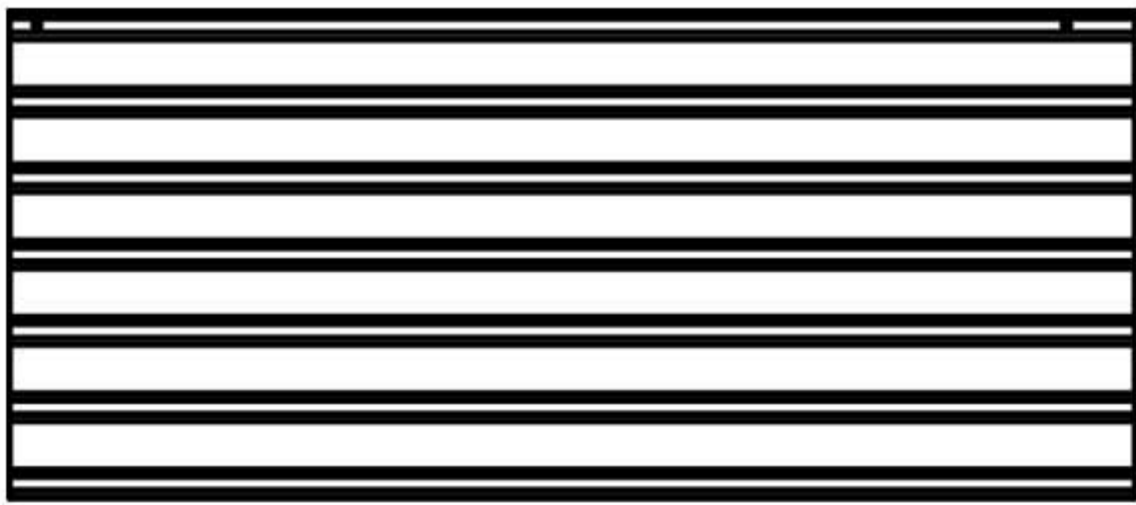

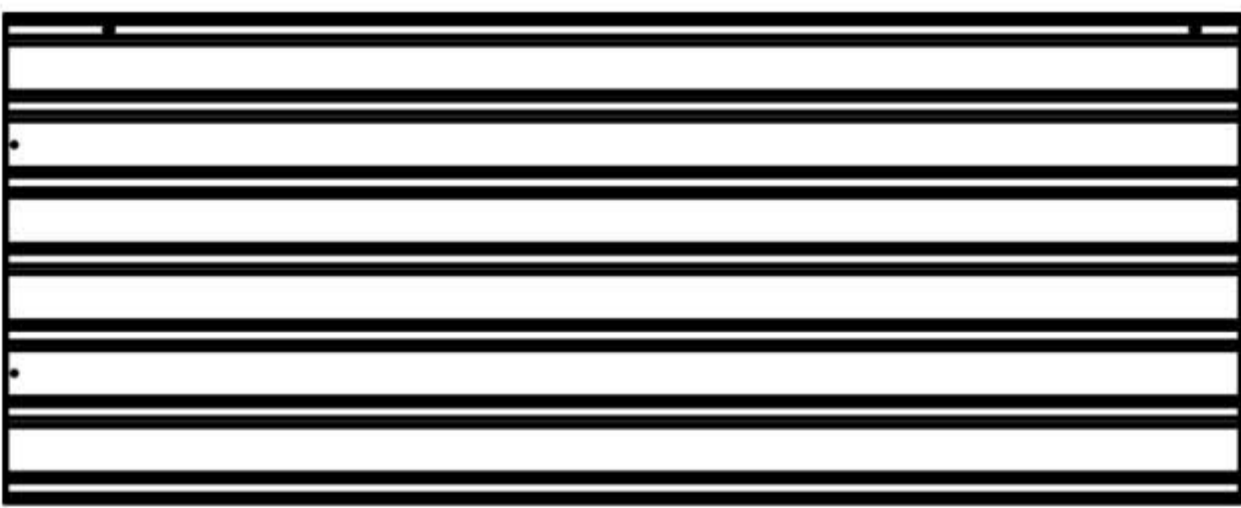
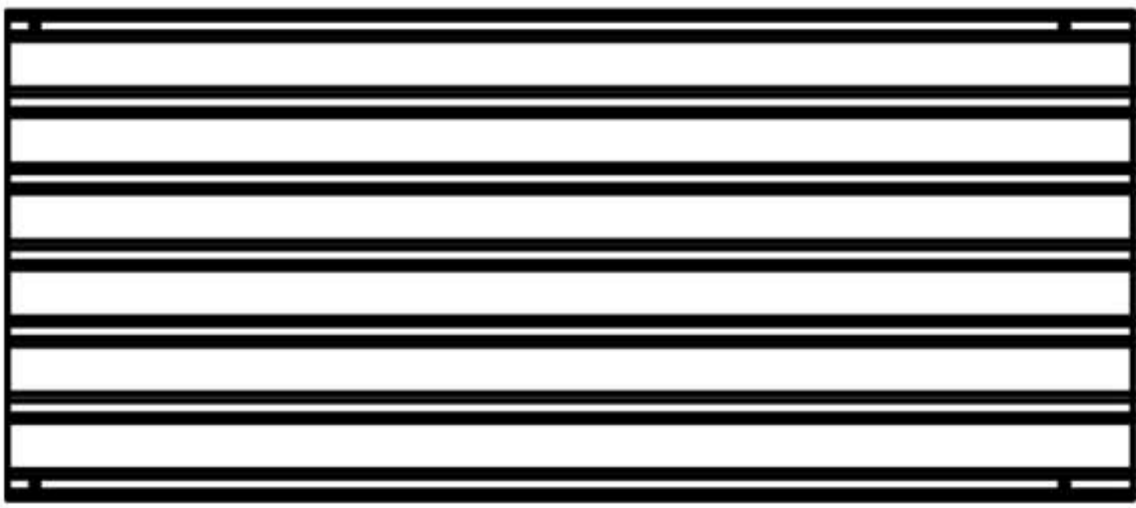
ACCESSORY CATALOGUE

Item no.	Reference Image	Qty.
H2		1
Z		1
Z1		1

Item no.	Reference Image	Qty.
1		12
2		1
X7	 M6X30mm	4

BOX 3

SKU: B001G061-3

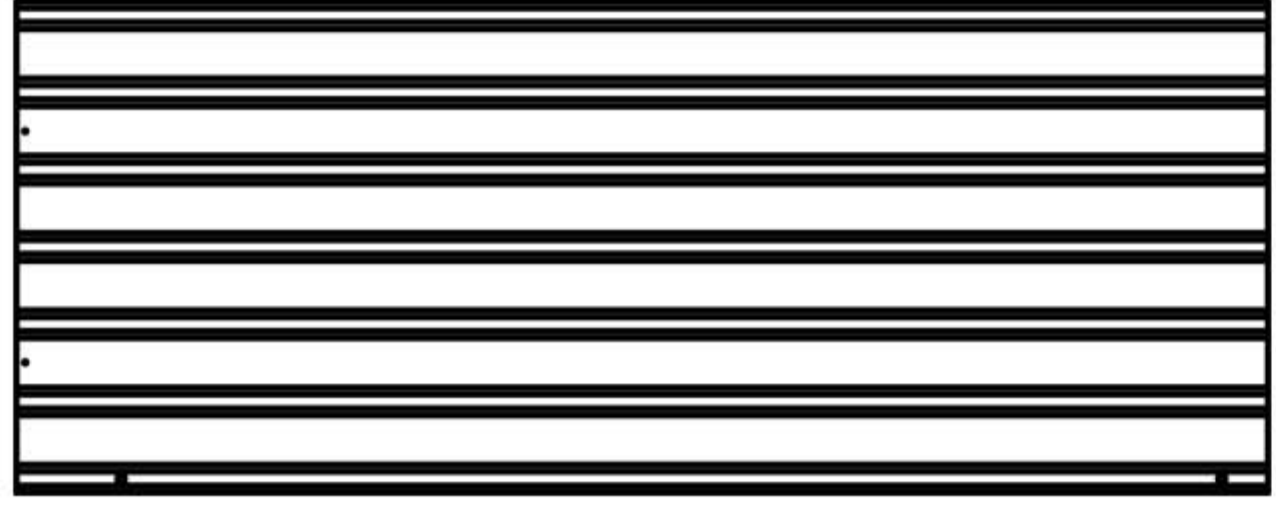
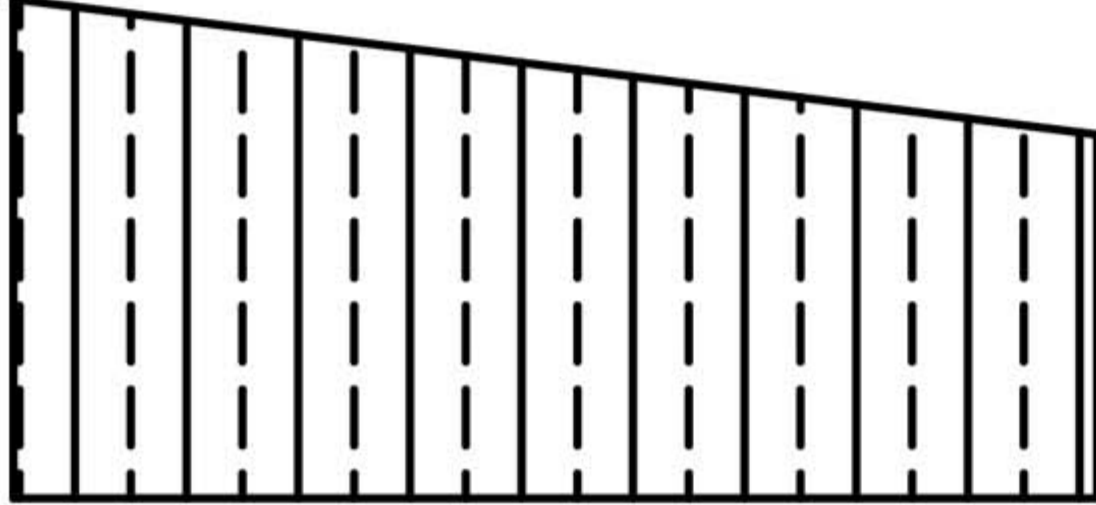
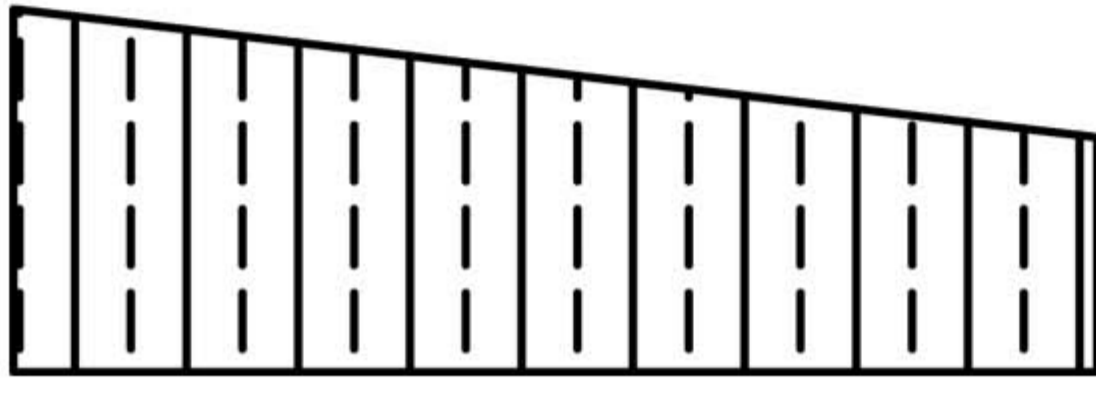

Item no.	Reference Image	Qty.
N1		1
N2		1
N3		1
N4		5

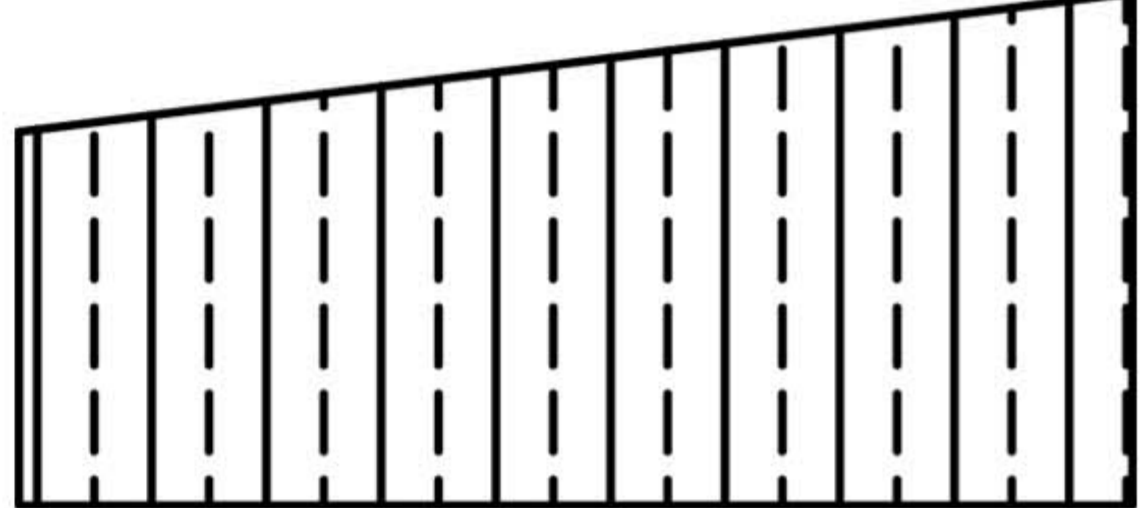
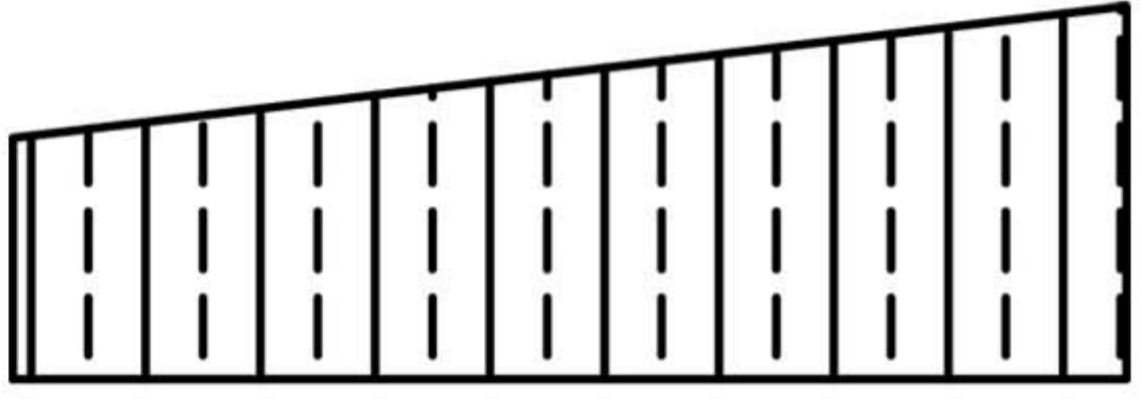

Item no.	Reference Image	Qty.
N5		5
N6		5
N7		1
N8		1

Please take care of the screws and contact the after-sales service if there is any problem with the installation or parts.

➔ ✉ E-mail: cs.helper01@gmail.com

ACCESSORY CATALOGUE

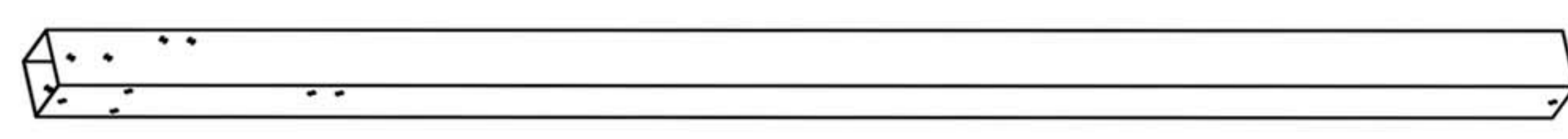
Item no.	Reference Image	Qty.
N9		1
Y1		1
Y2		1
Y3		1

Item no.	Reference Image	Qty.
Y4		1
Y5		1
Y6		1

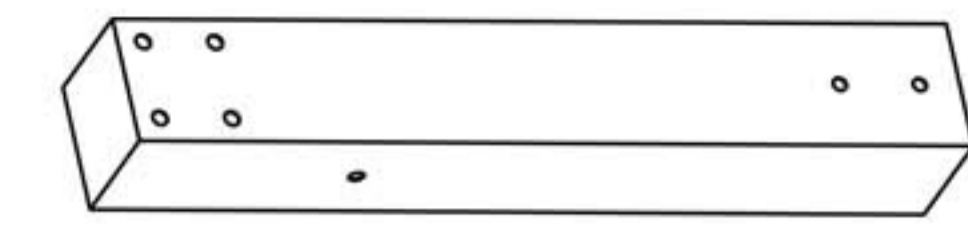
Please take care of the screws and contact the after-sales service if there is any problem with the installation or parts.

STEP 1

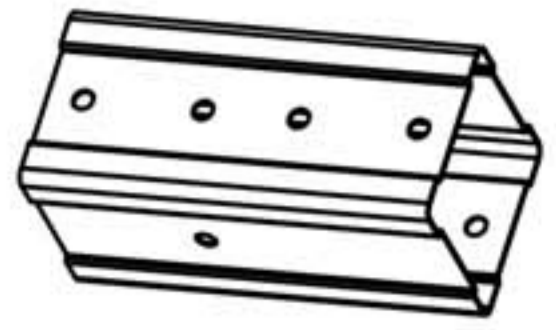
Parts required



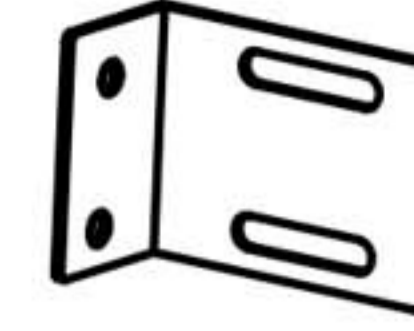
A1 1pcs



A2 1pcs



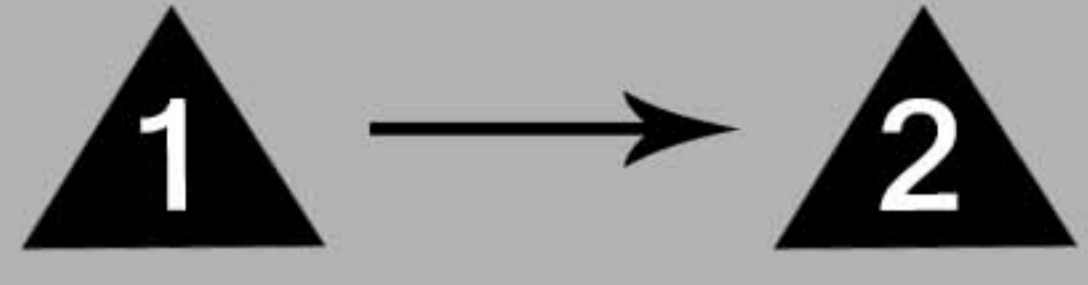
P1 1pcs



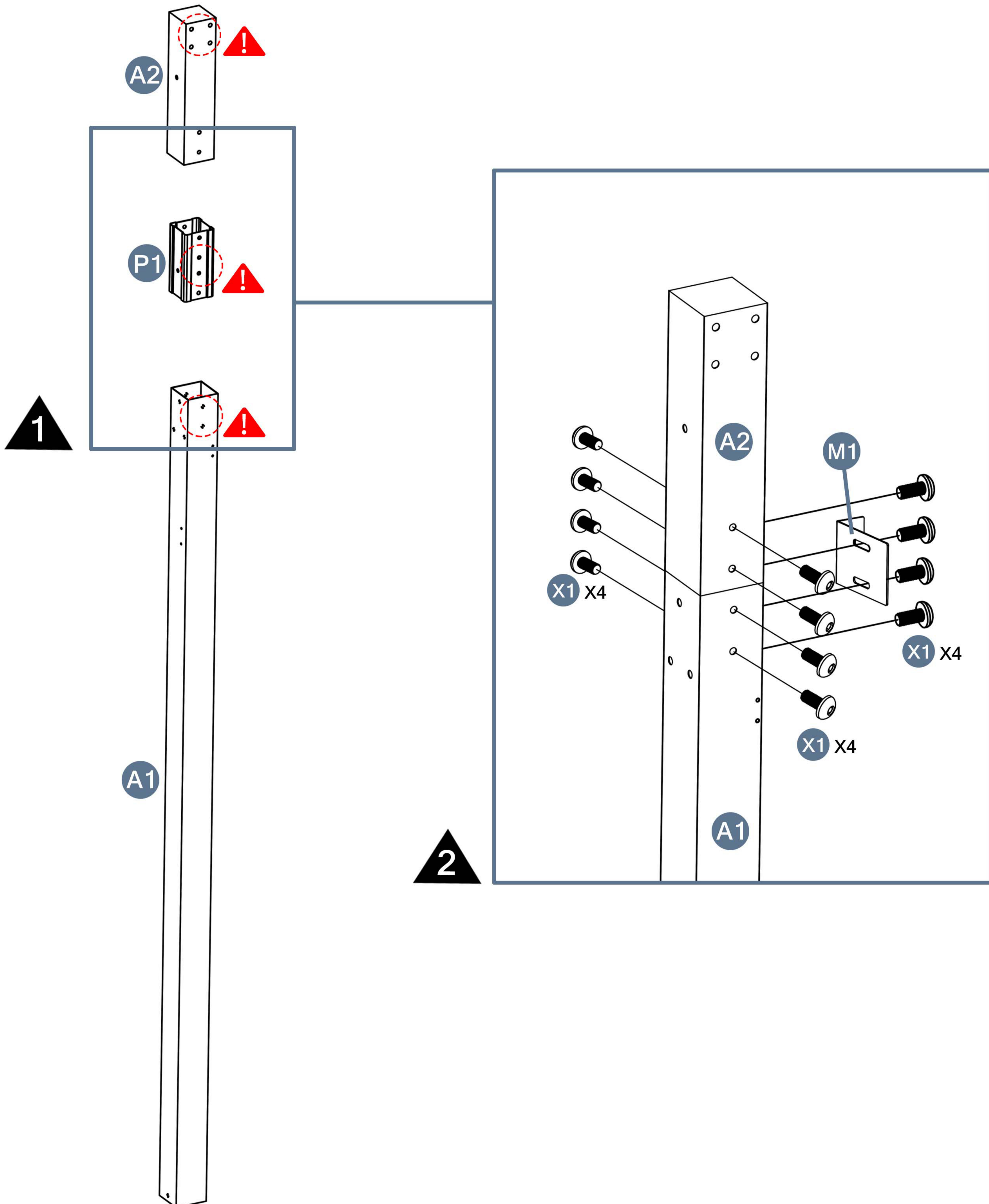
M1 1pcs



X1 12pcs



⚠ Please note the orientation of the hole.

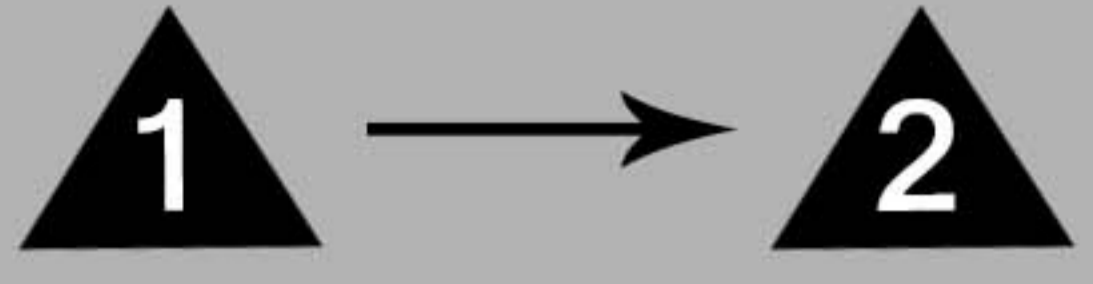
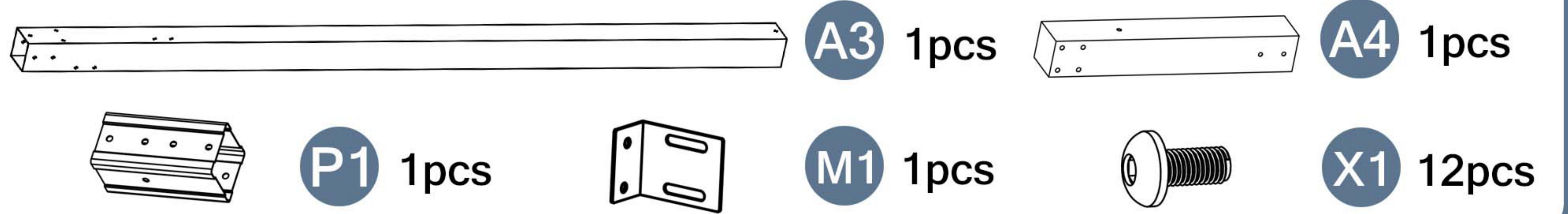


Please take care of the screws and contact the after-sales service if there is any problem with the installation or parts.

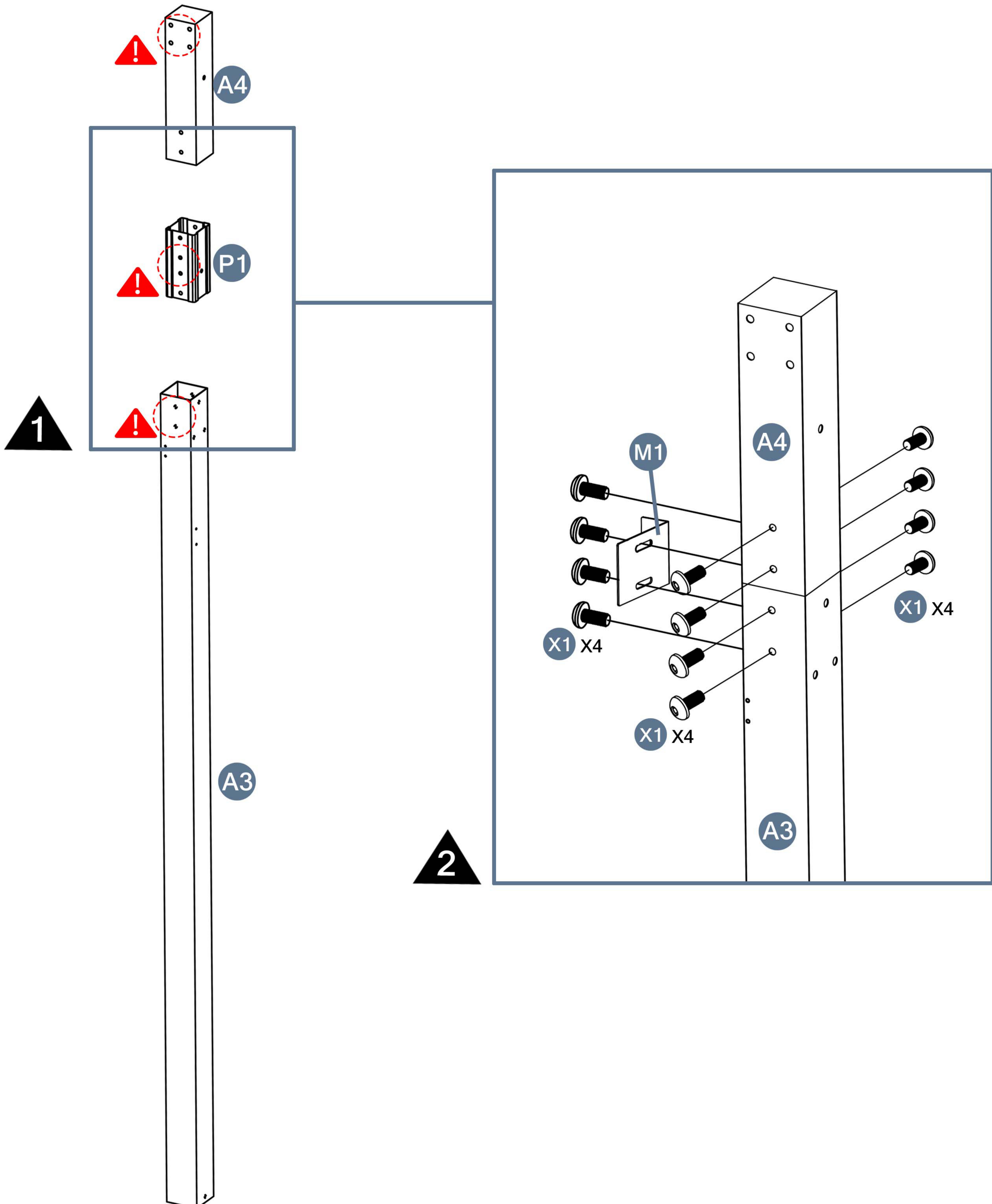
➔ ✉ E-mail: cs.helper01@gmail.com

STEP 2

Parts required



⚠ Please note the orientation of the hole.



Please take care of the screws and contact the after-sales service if there is any problem with the installation or parts.

STEP 3

Parts required



A5 1pcs



A6 1pcs



L 2pcs



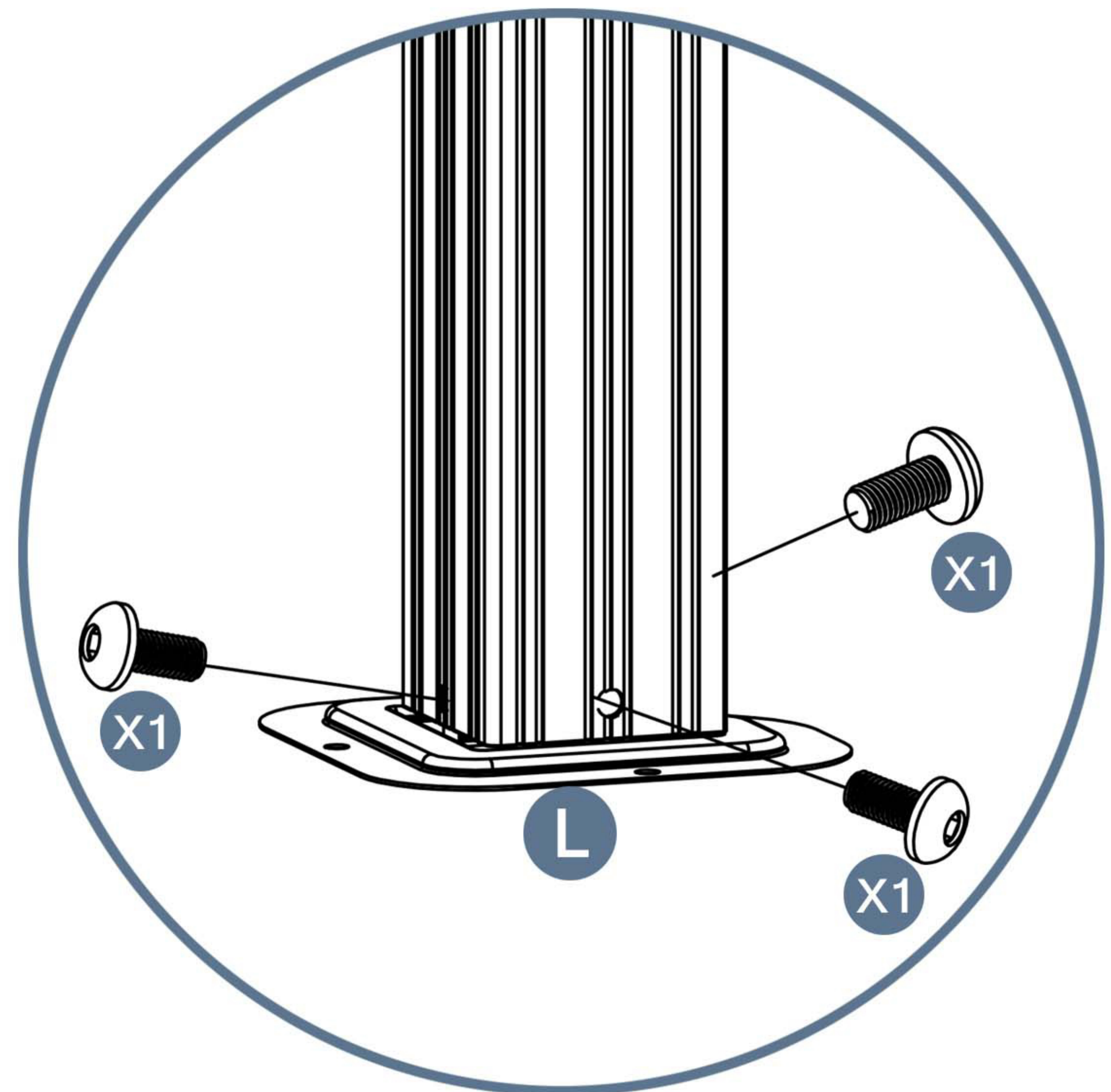
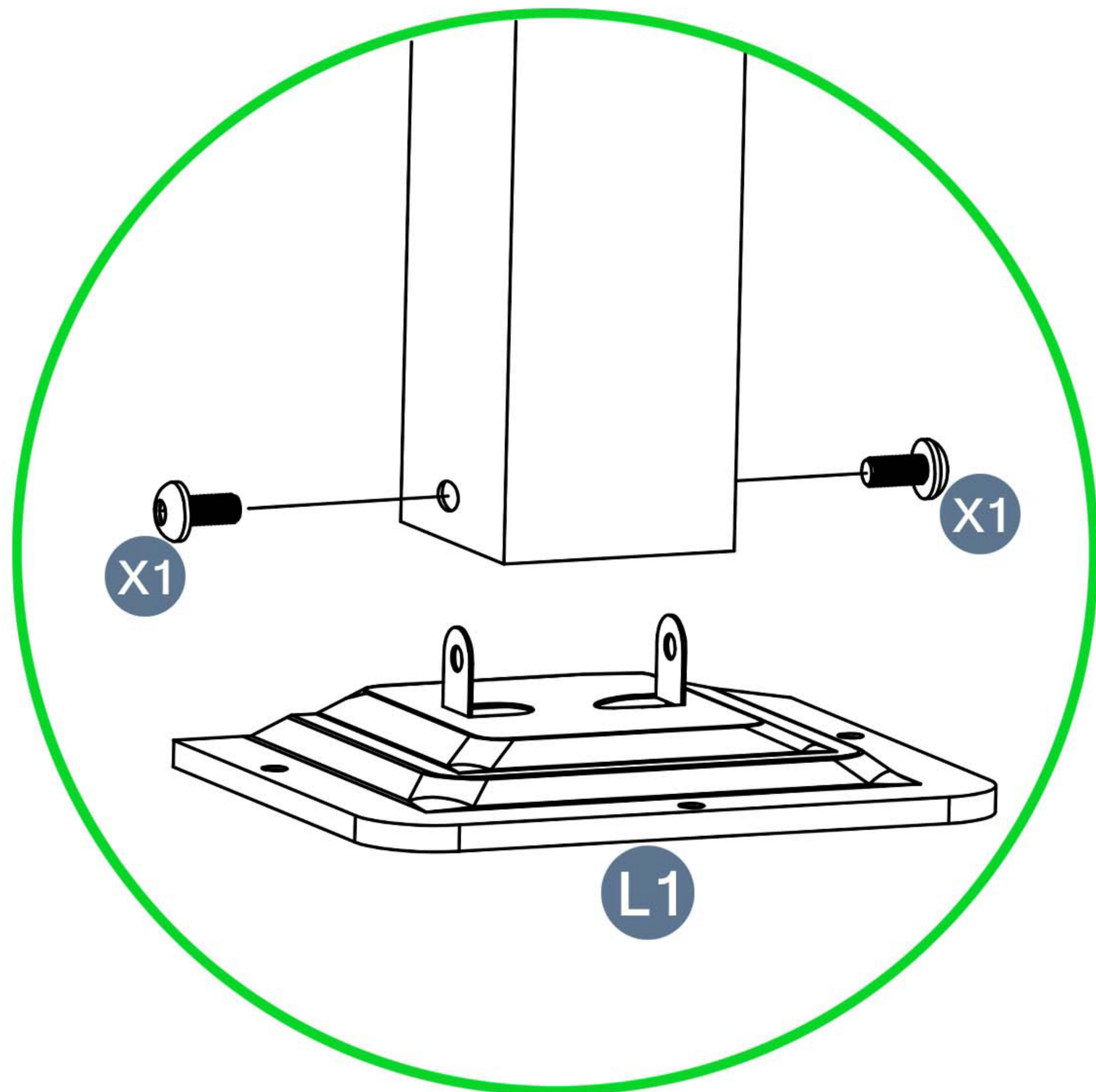
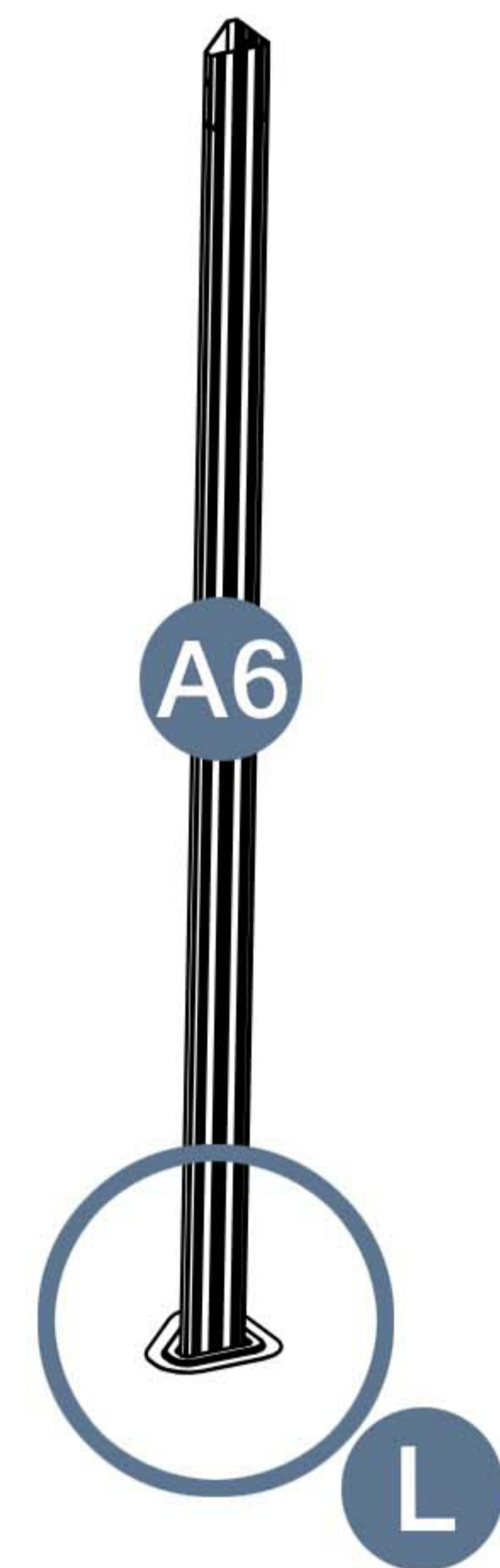
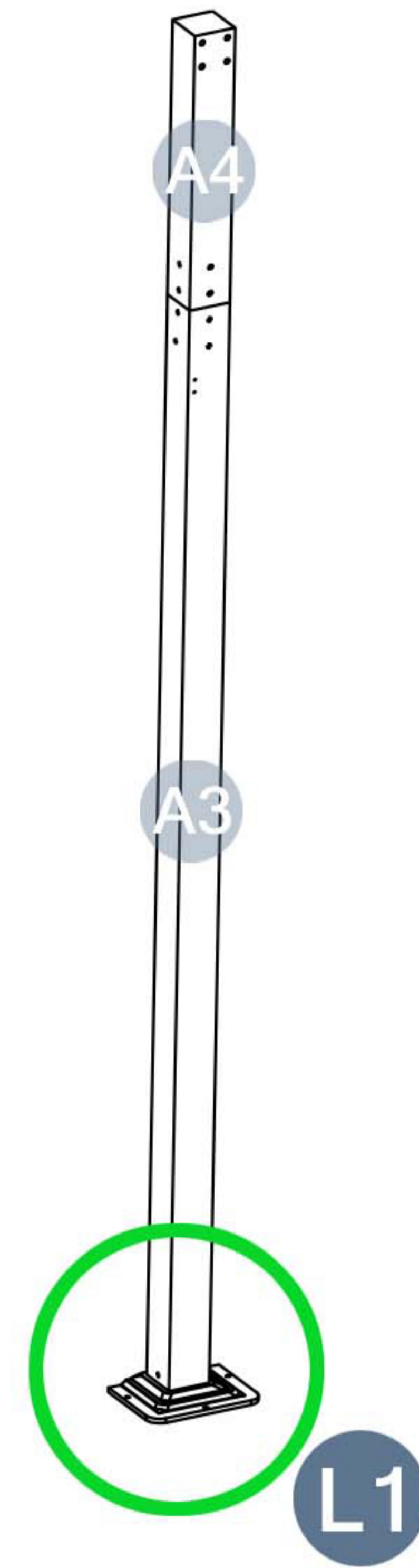
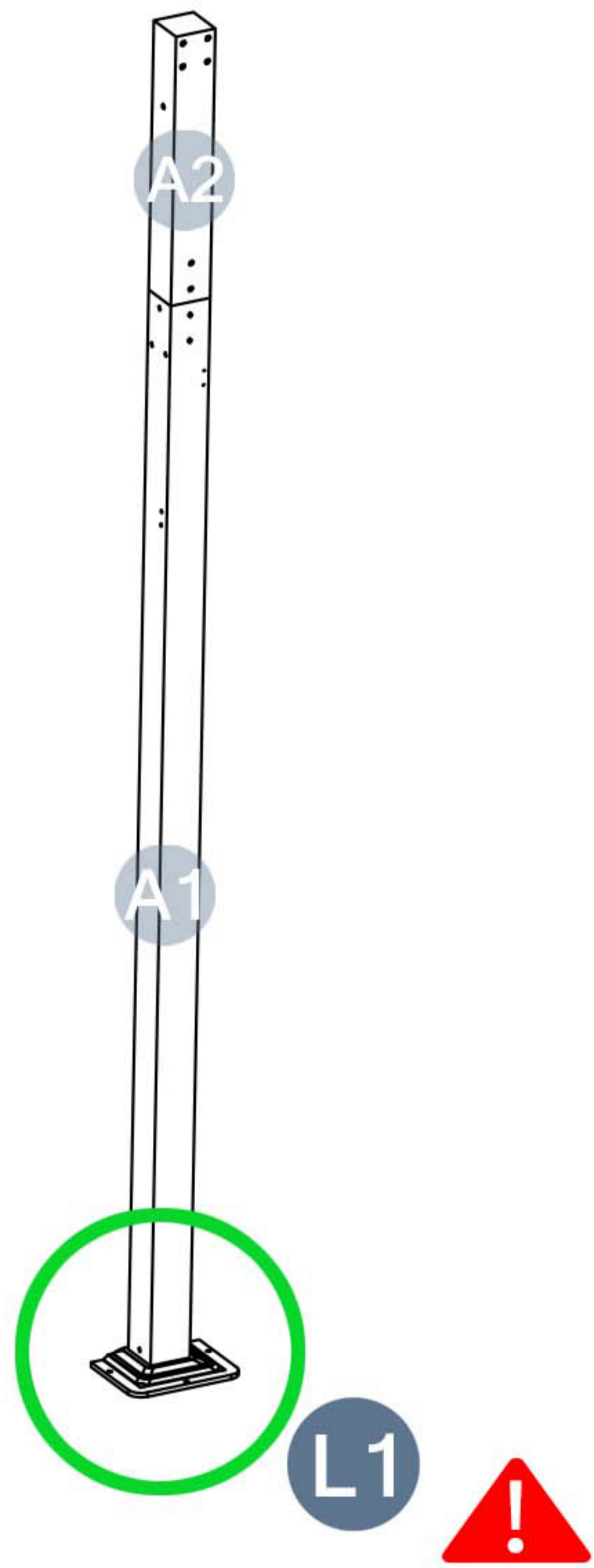
L1 2pcs



X1 10pcs



Attention! The difference between the front and rear bases.



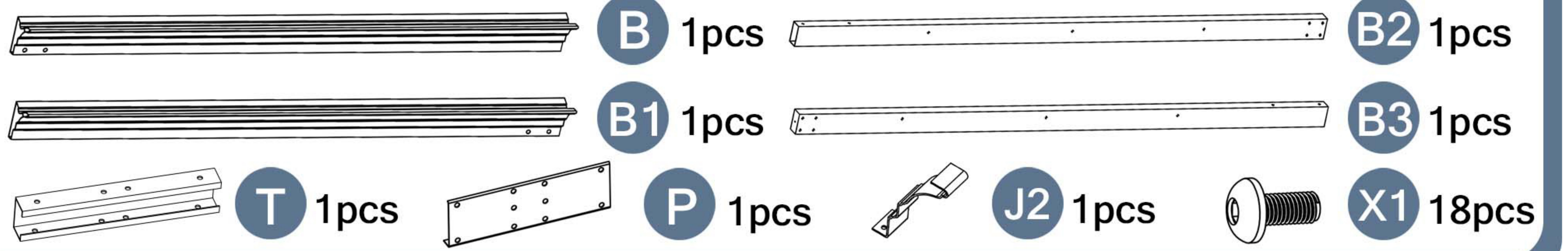
Please take care of the screws and contact the after-sales service if there is any problem with the installation or parts.



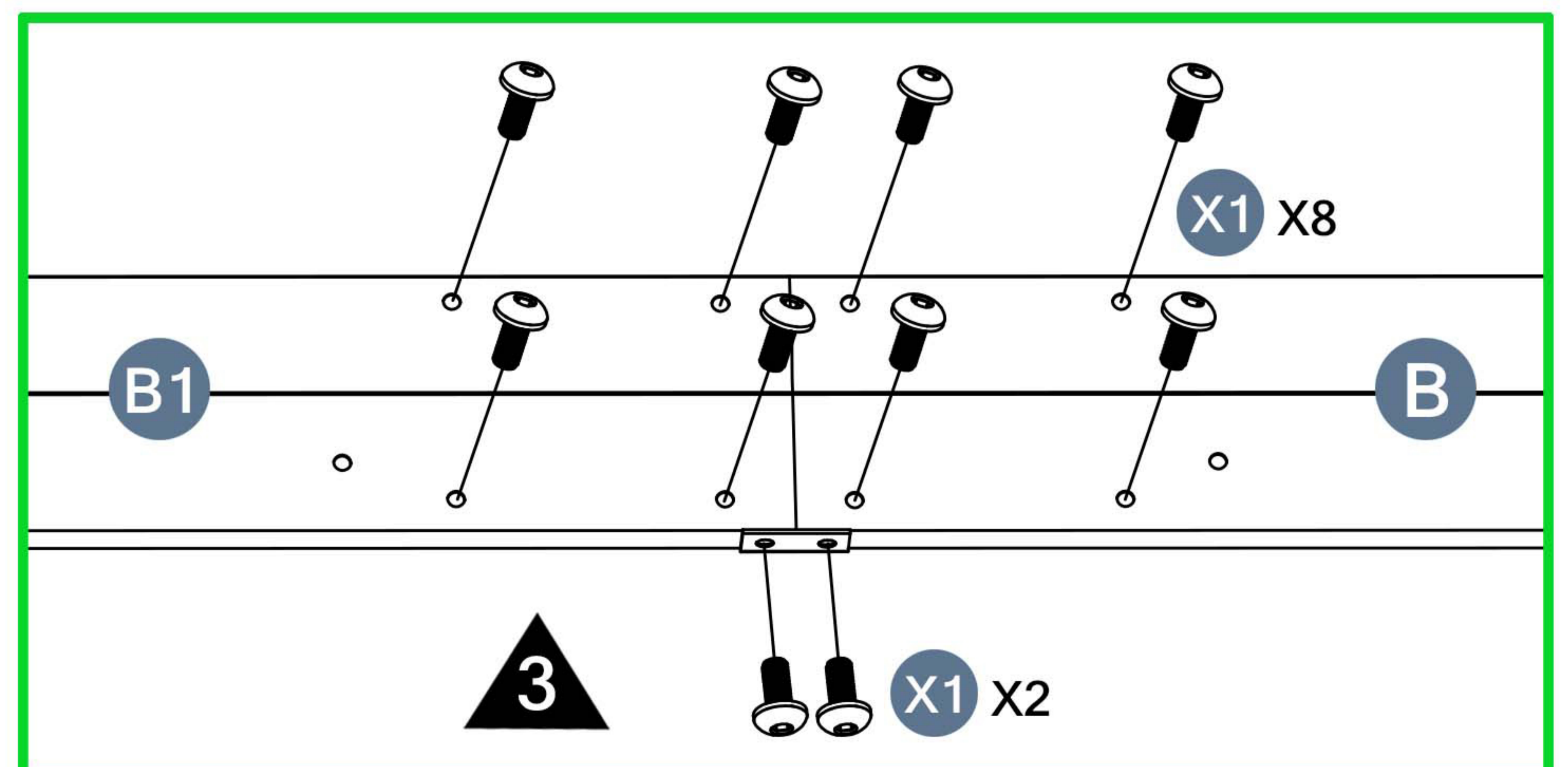
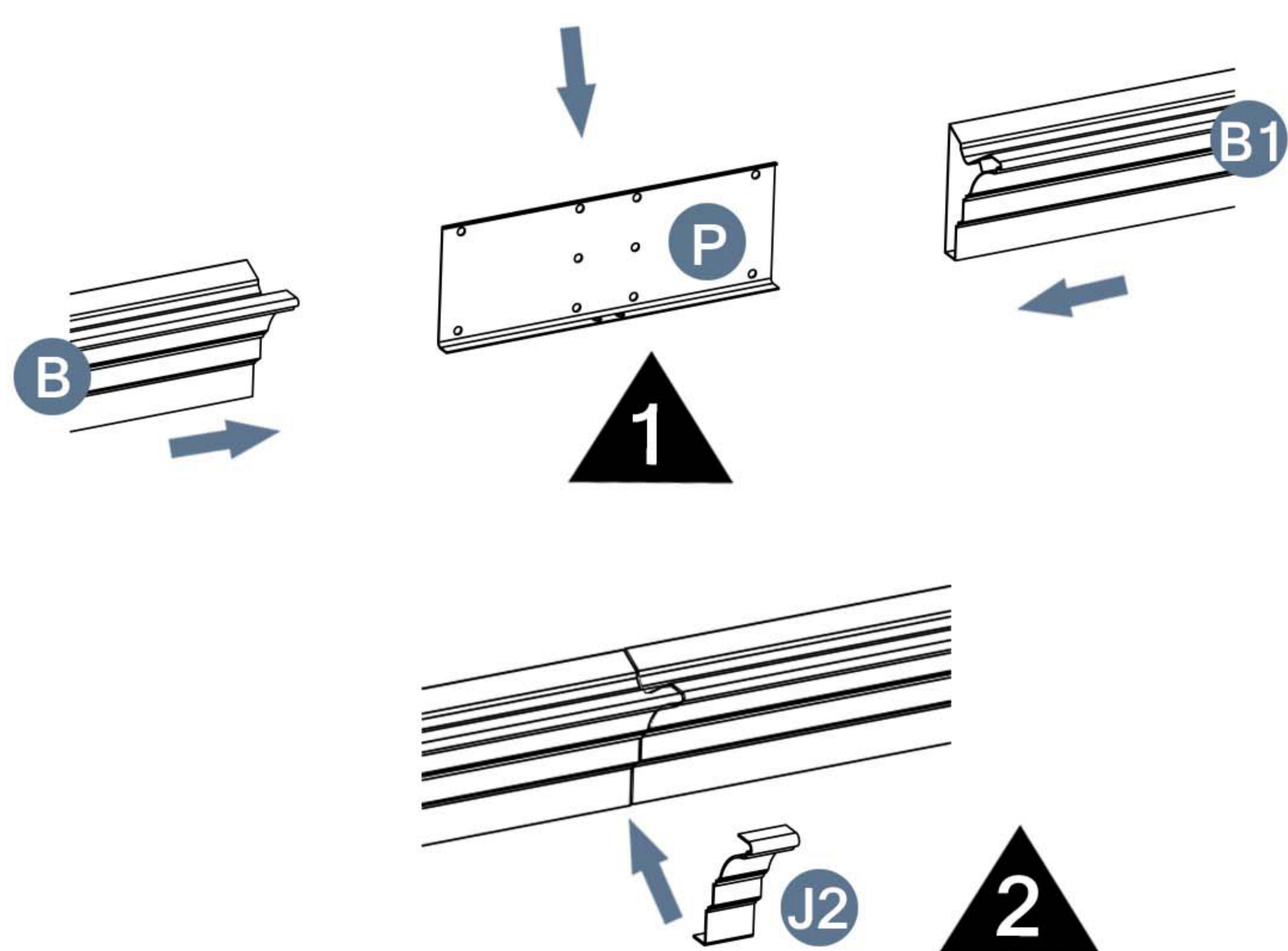
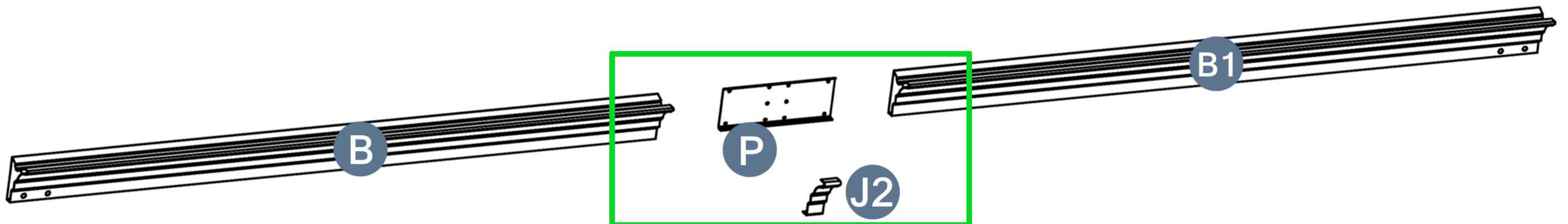
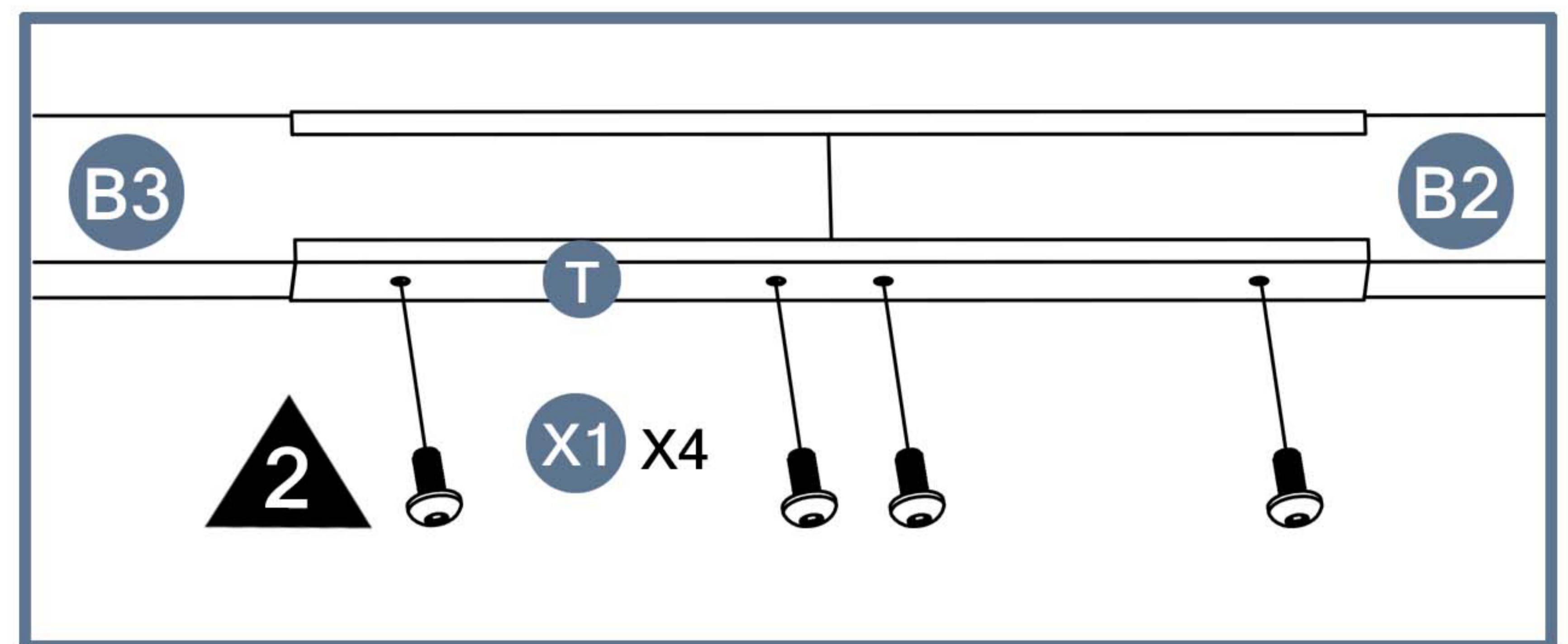
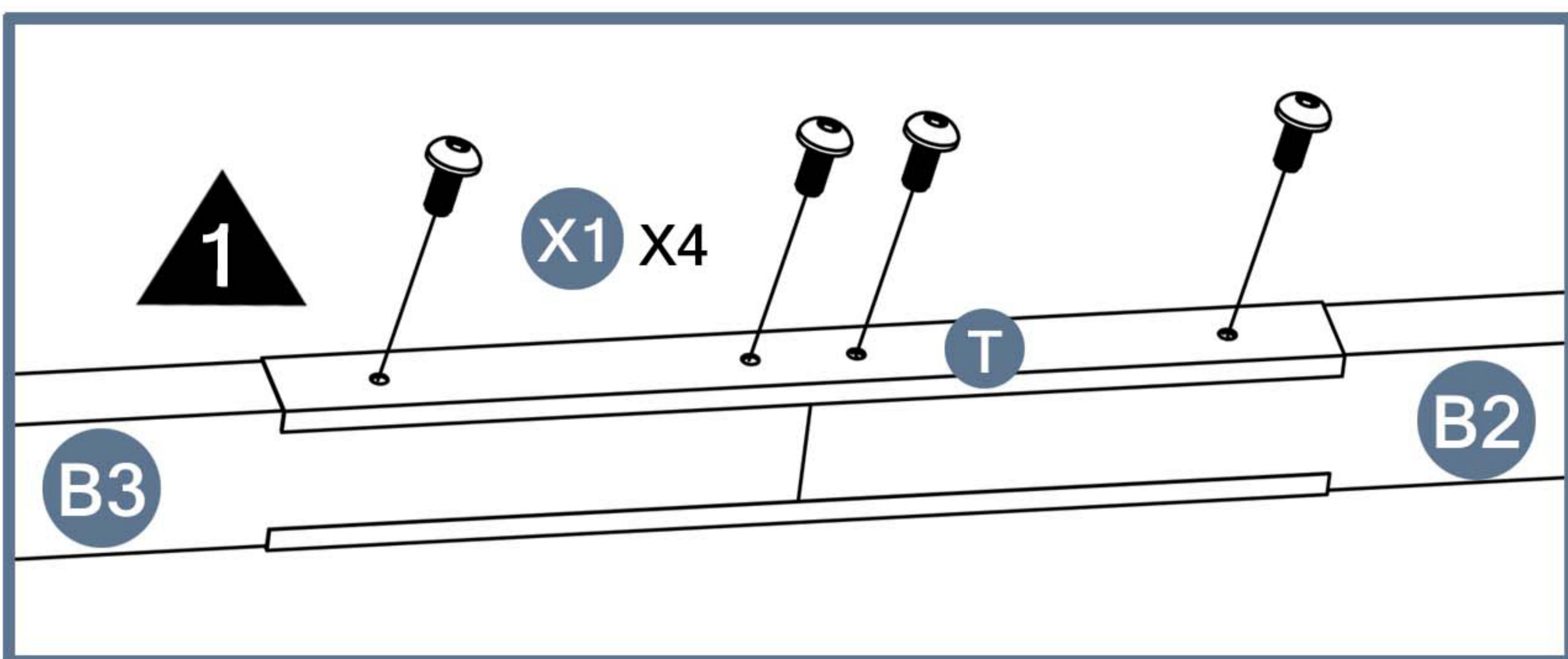
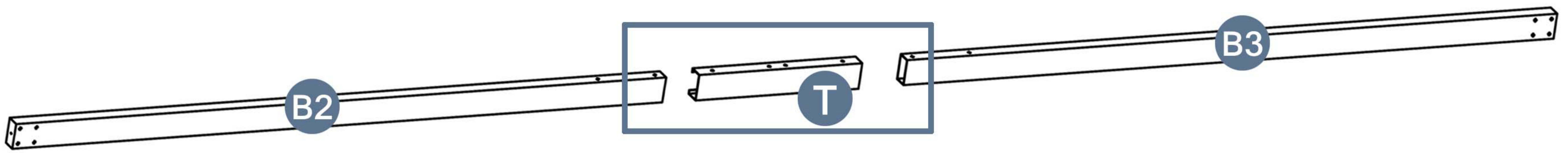
E-mail: cs.helper01@gmail.com

STEP 4

Parts required



⚠ Attention! The direction of T and P. 1 → 2 → 3

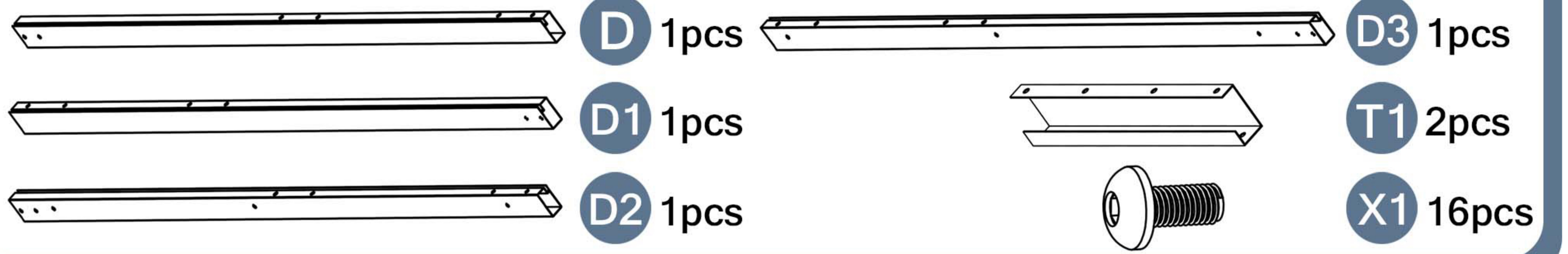


Please take care of the screws and contact the after-sales service if there is any problem with the installation or parts.

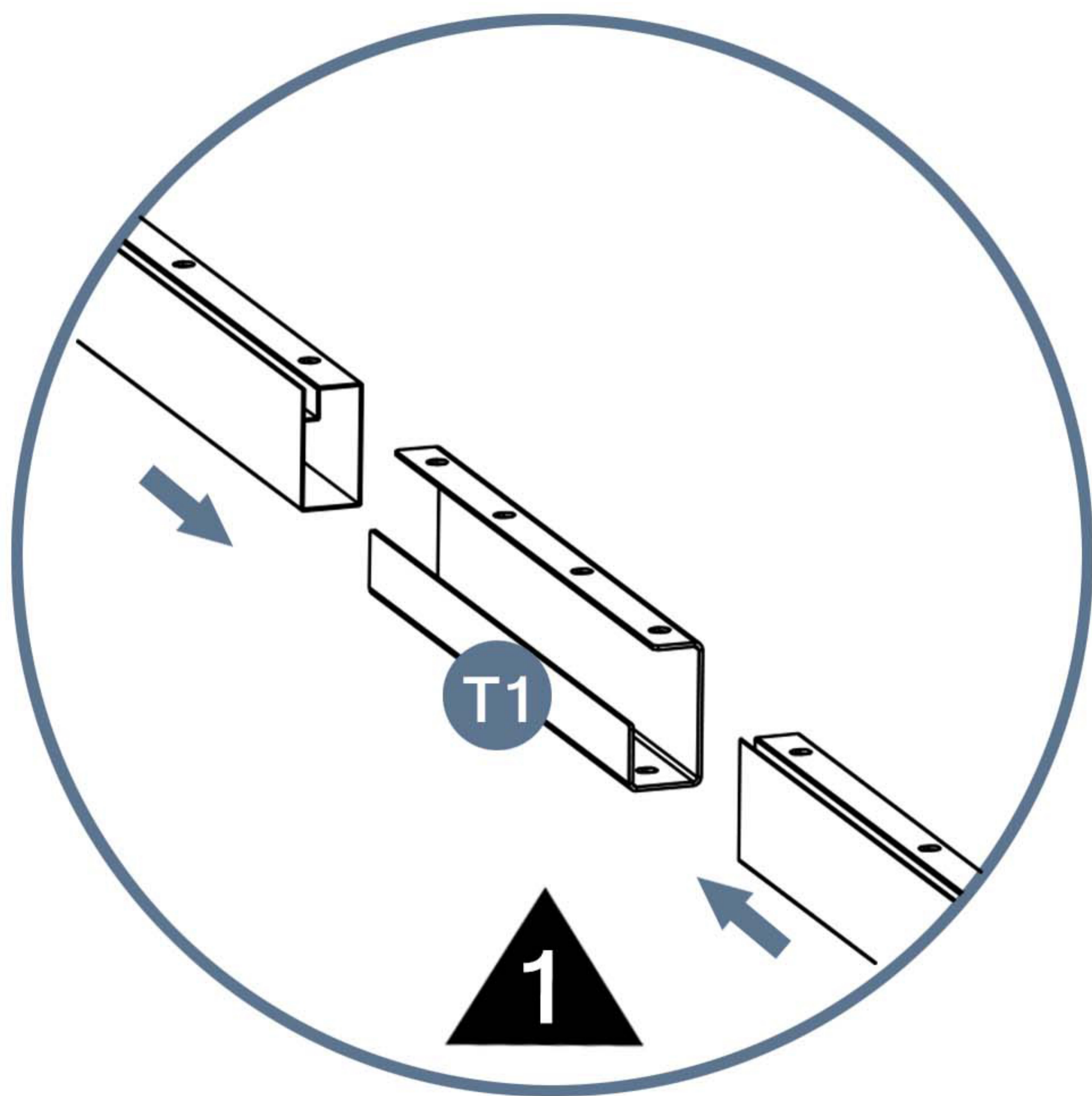
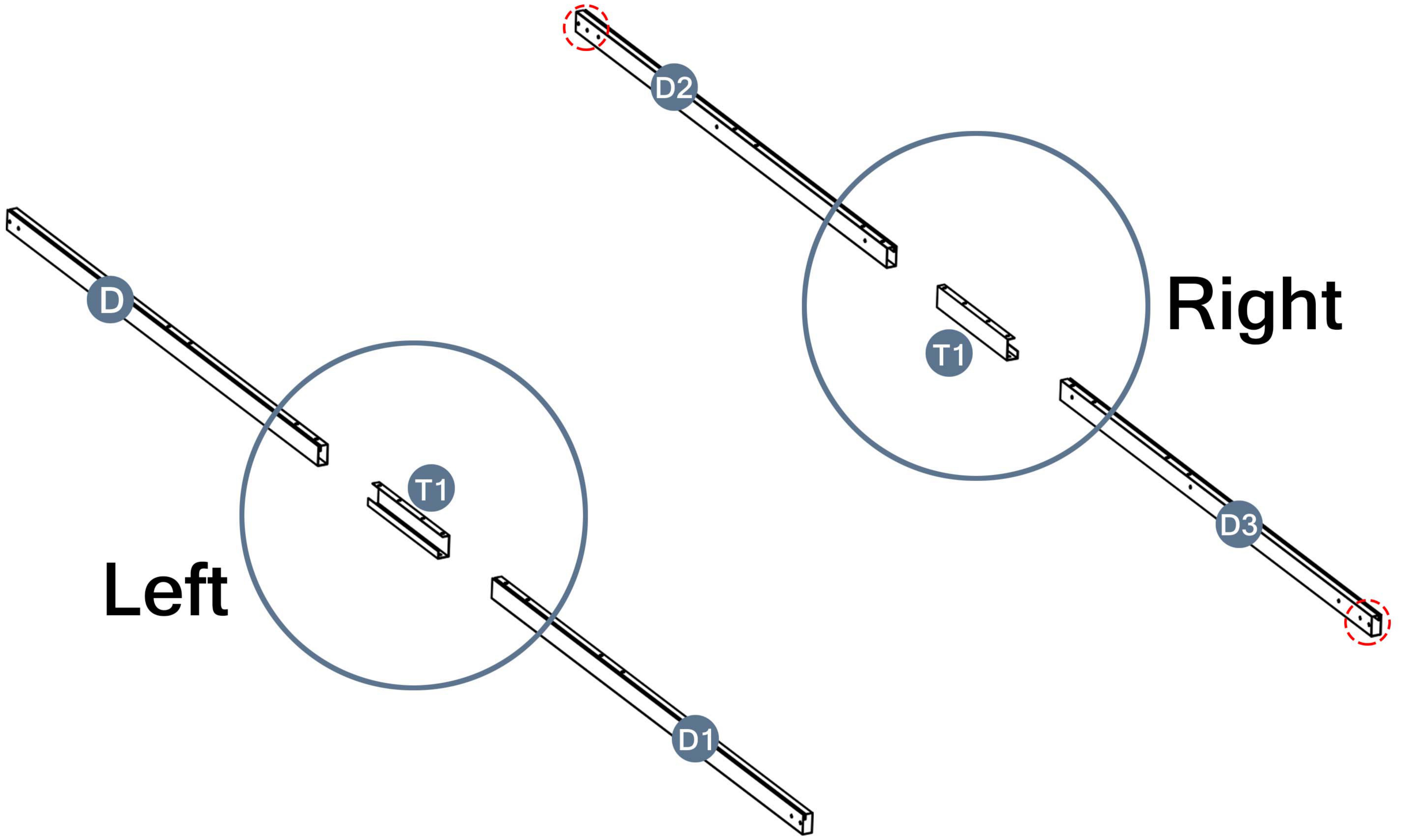
➔ ✉ E-mail: cs.helper01@gmail.com

STEP 5

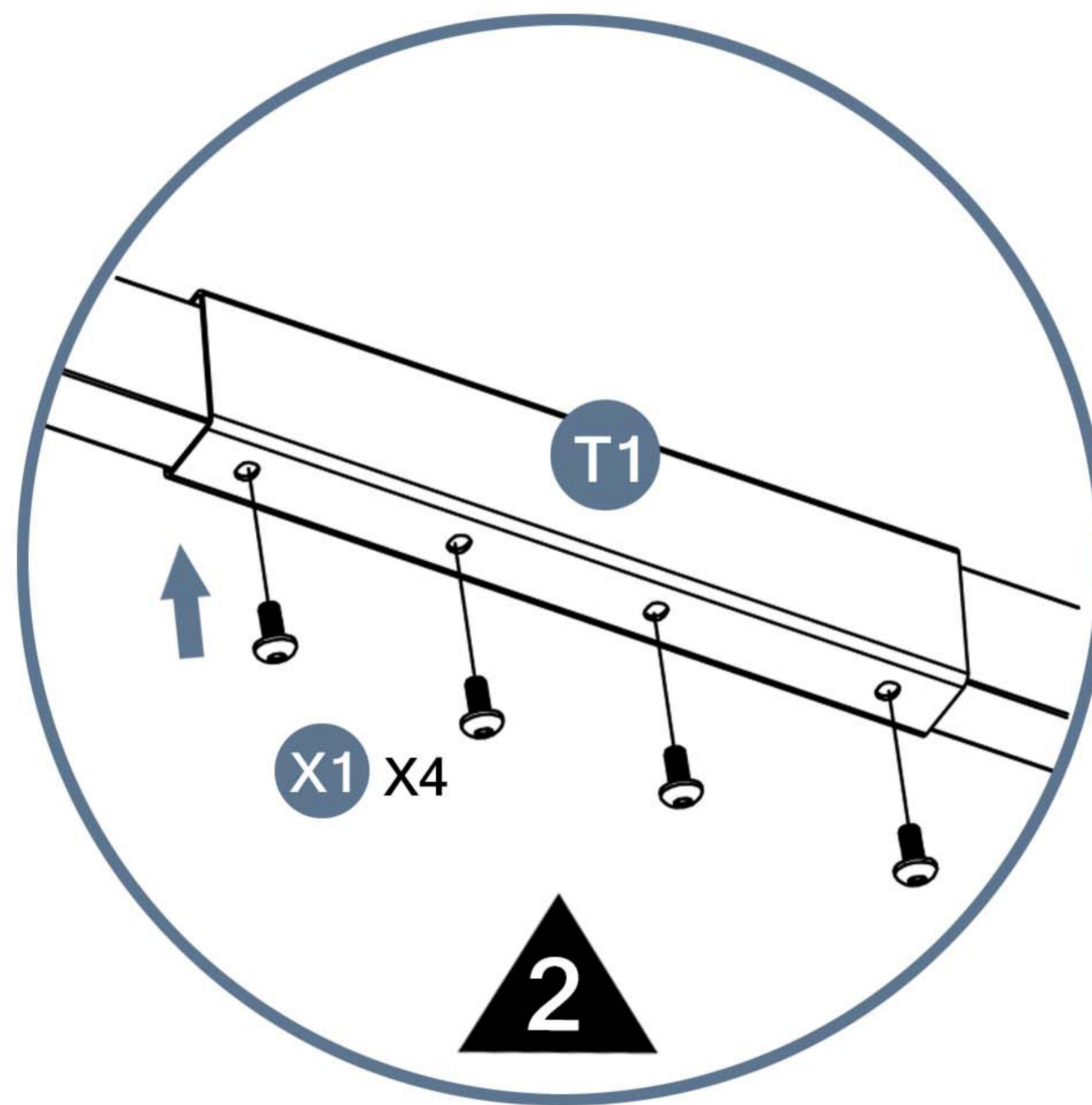
Parts required



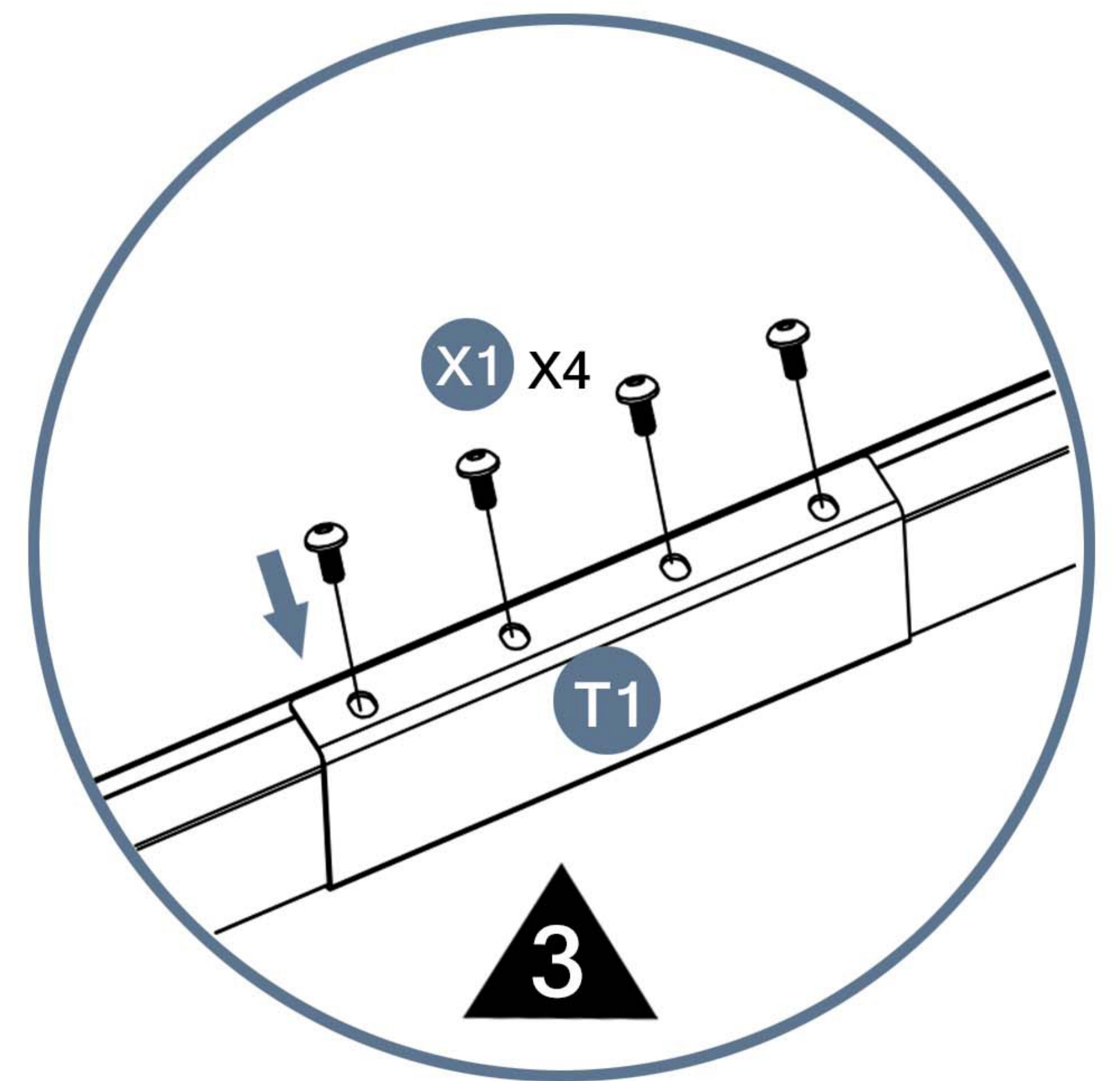
Please note the orientation of the hole.



T1 Open your mouth to the outside



From the bottom up



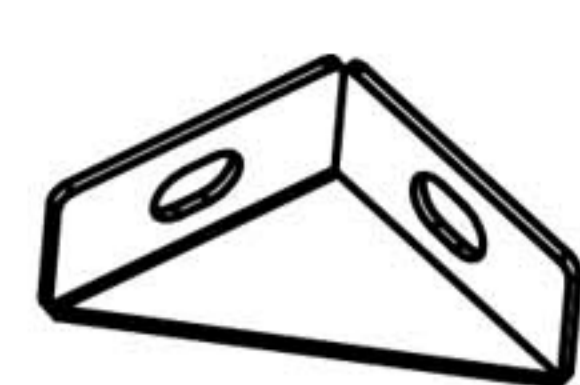
From top to bottom

Please take care of the screws and contact the after-sales service if there is any problem with the installation or parts.

E-mail: cs.helper01@gmail.com

STEP 6

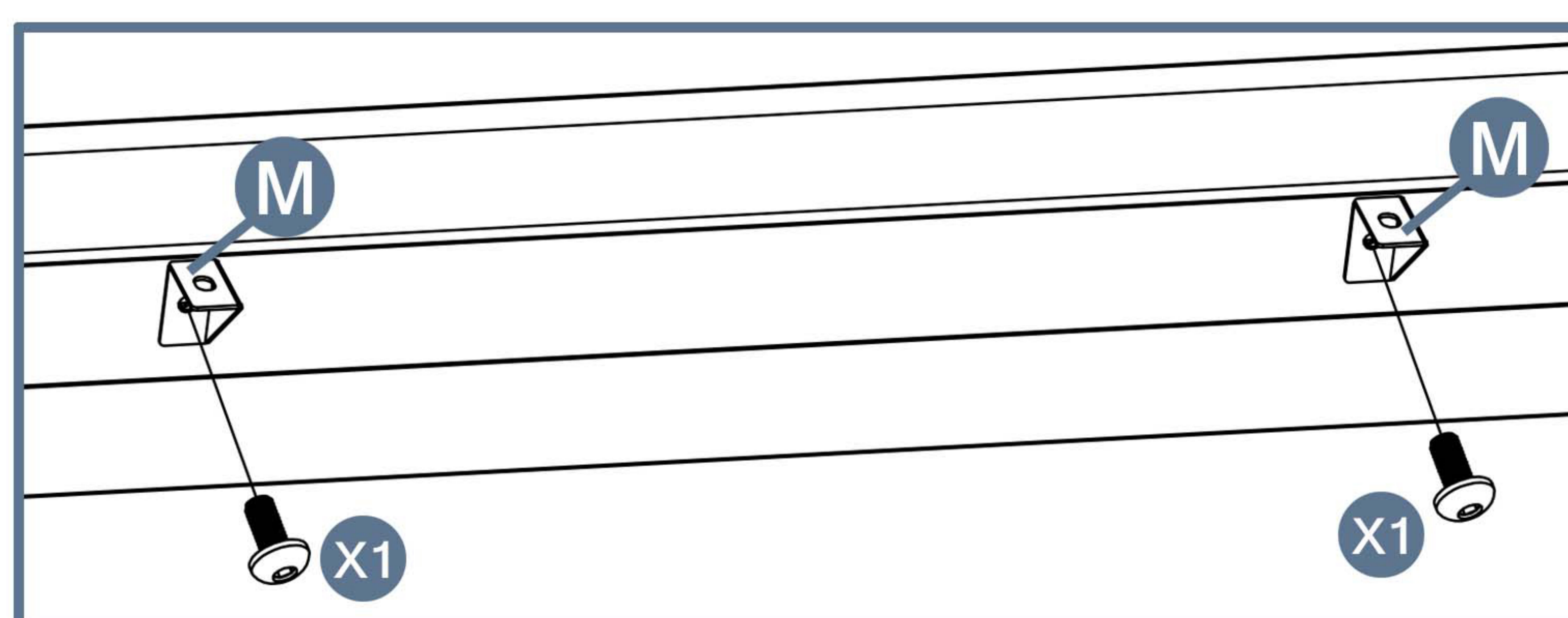
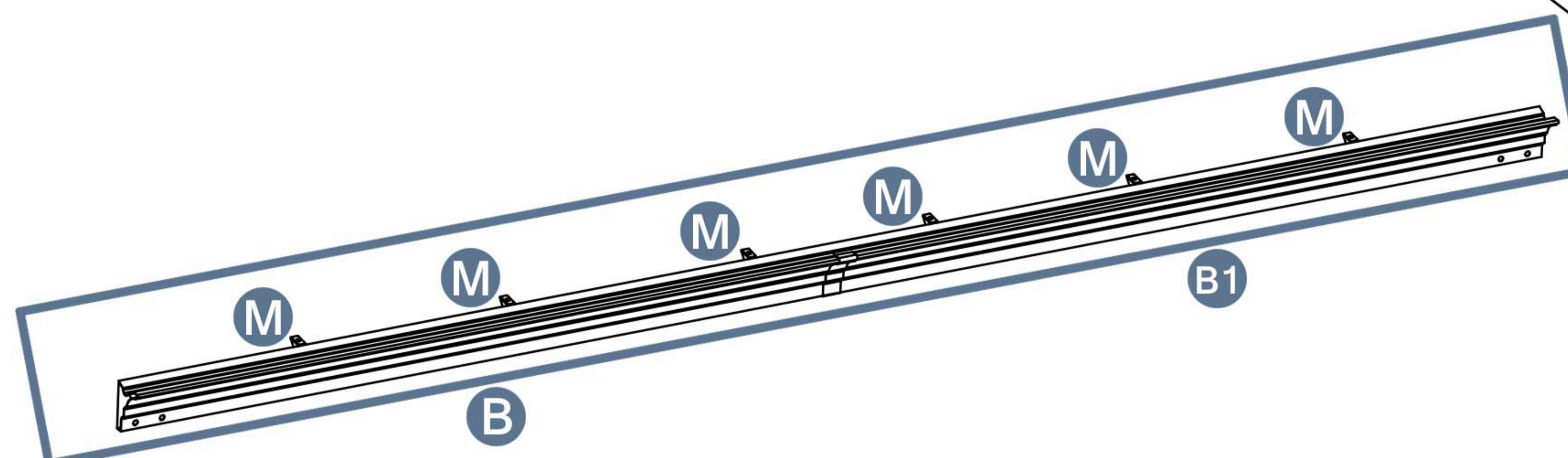
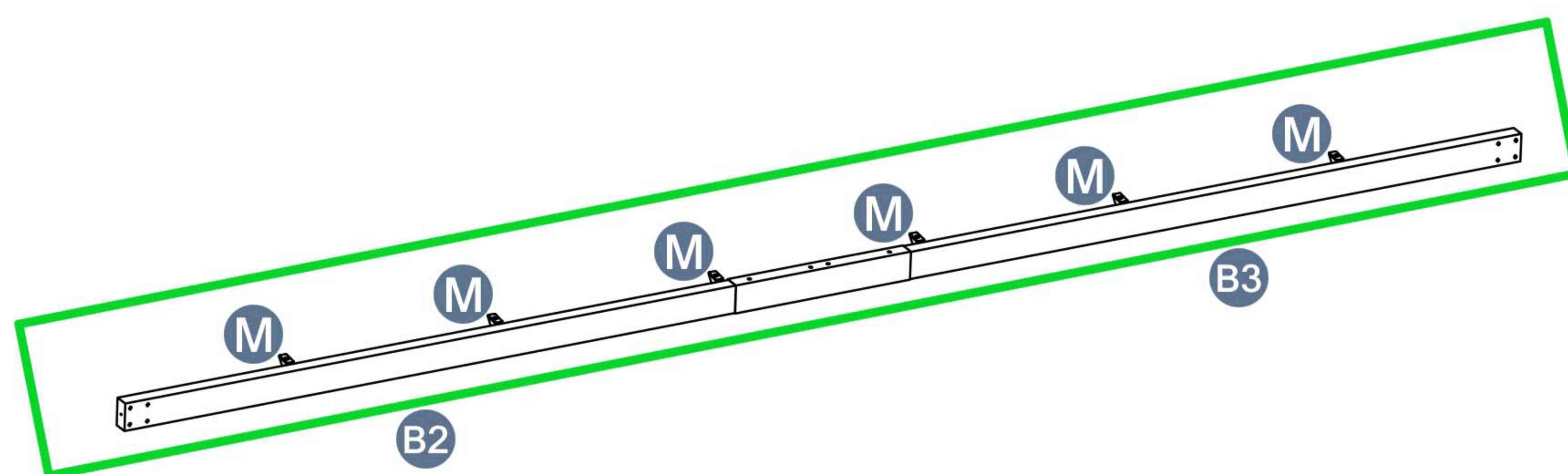
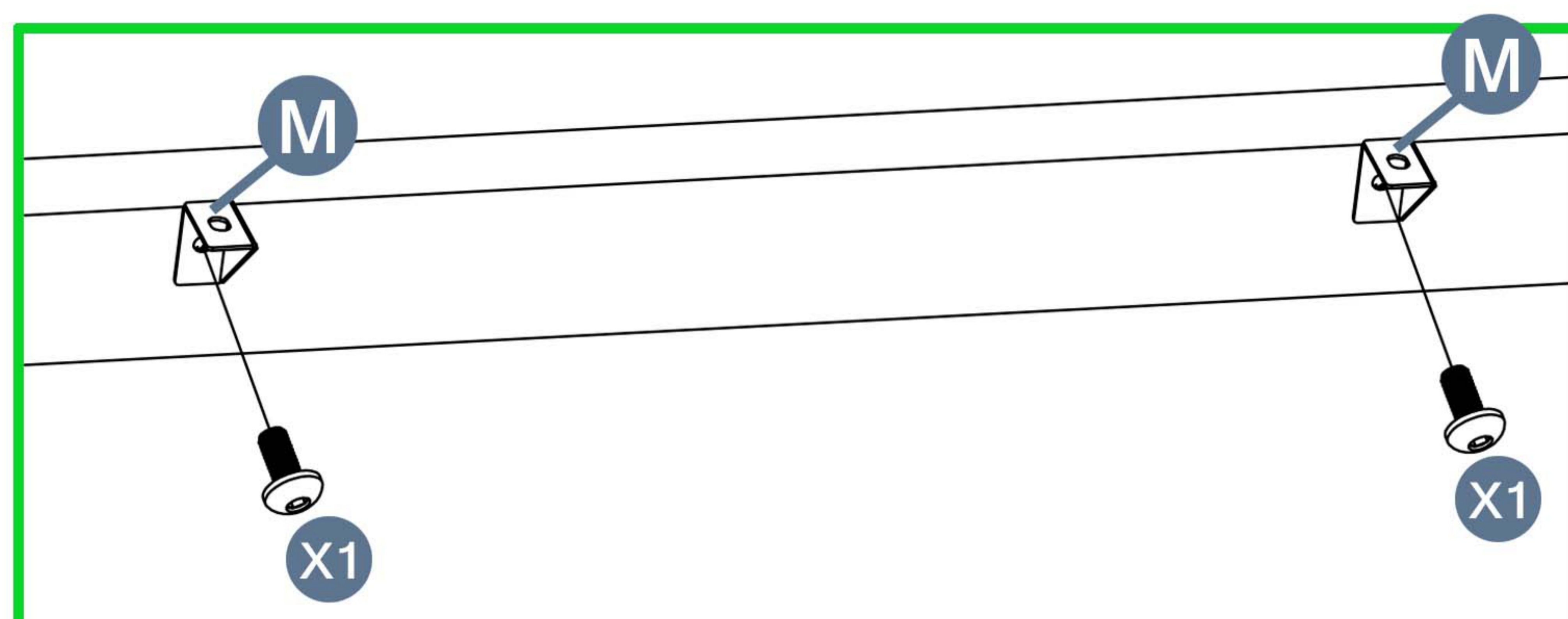
Parts required



M 12pcs



X1 12pcs



Please take care of the screws and contact the after-sales service if there is any problem with the installation or parts.

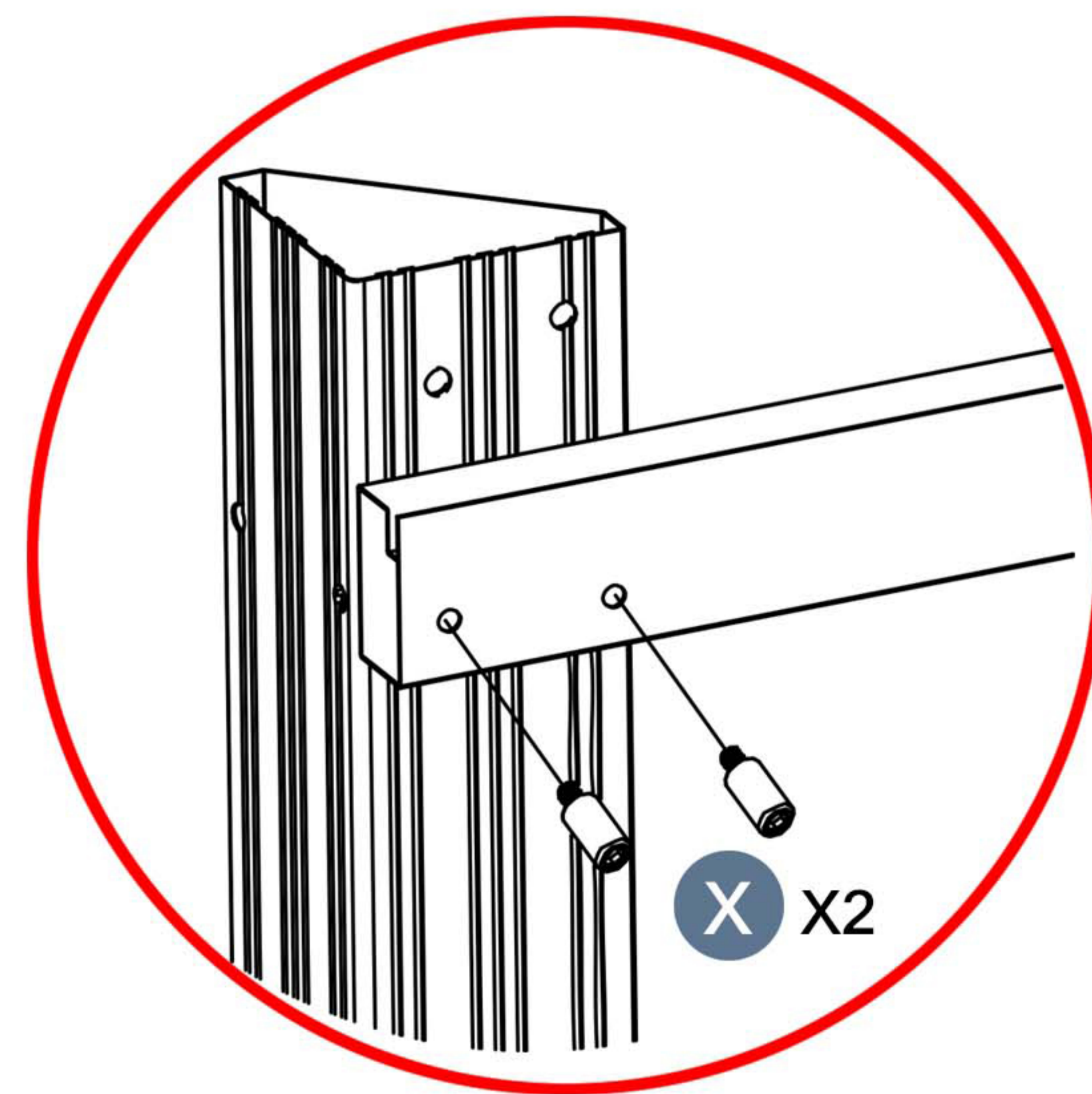
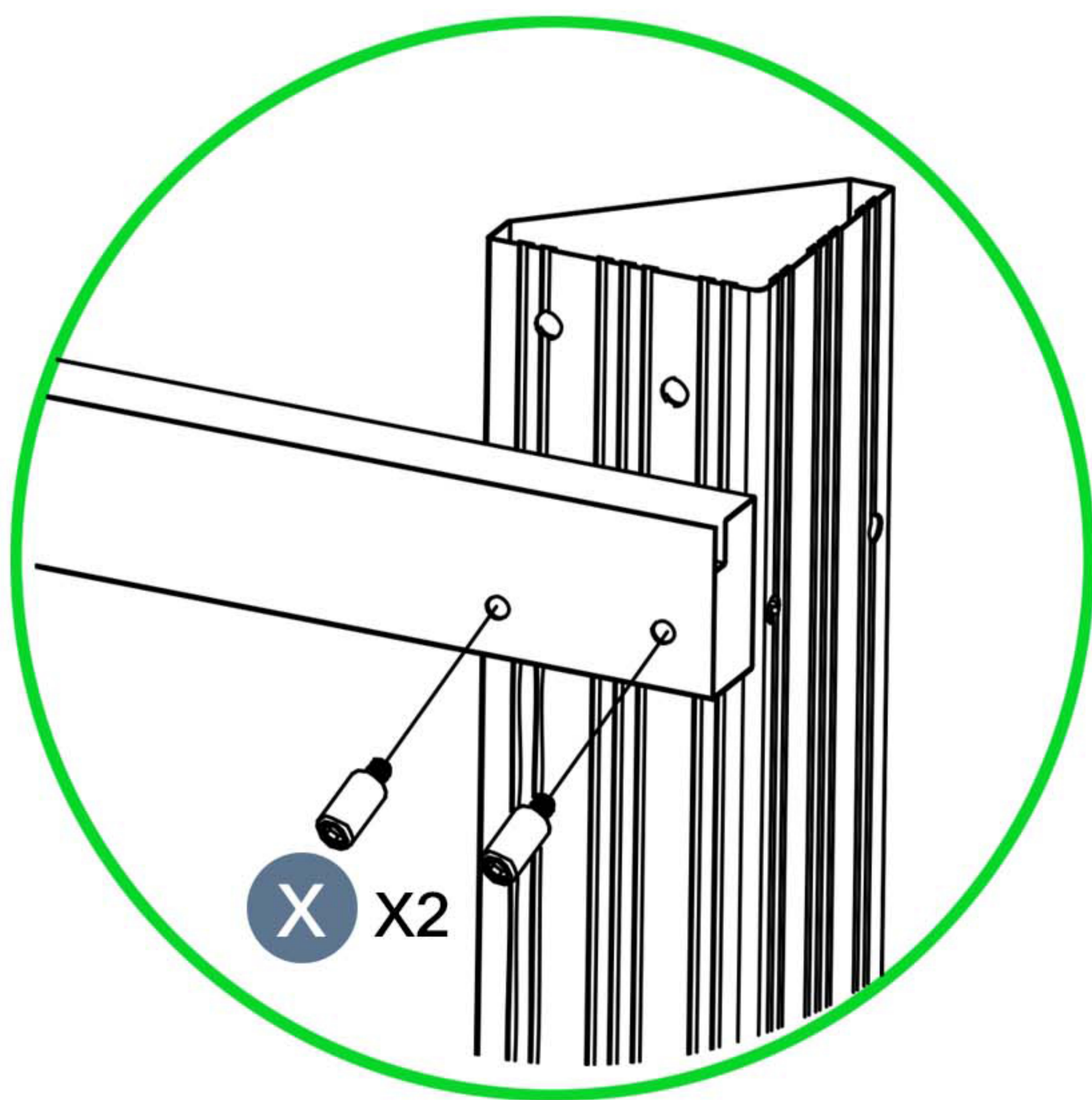
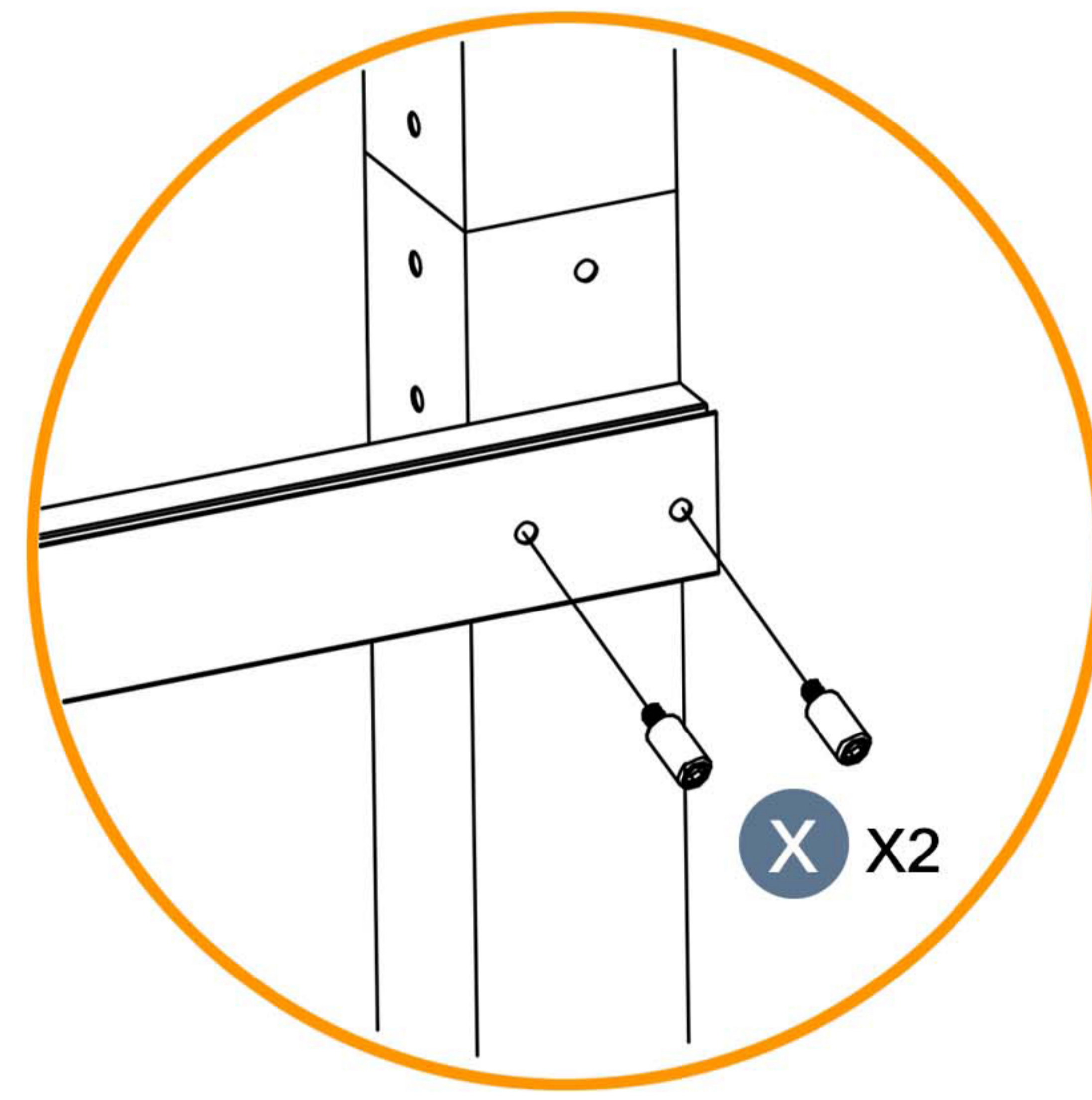
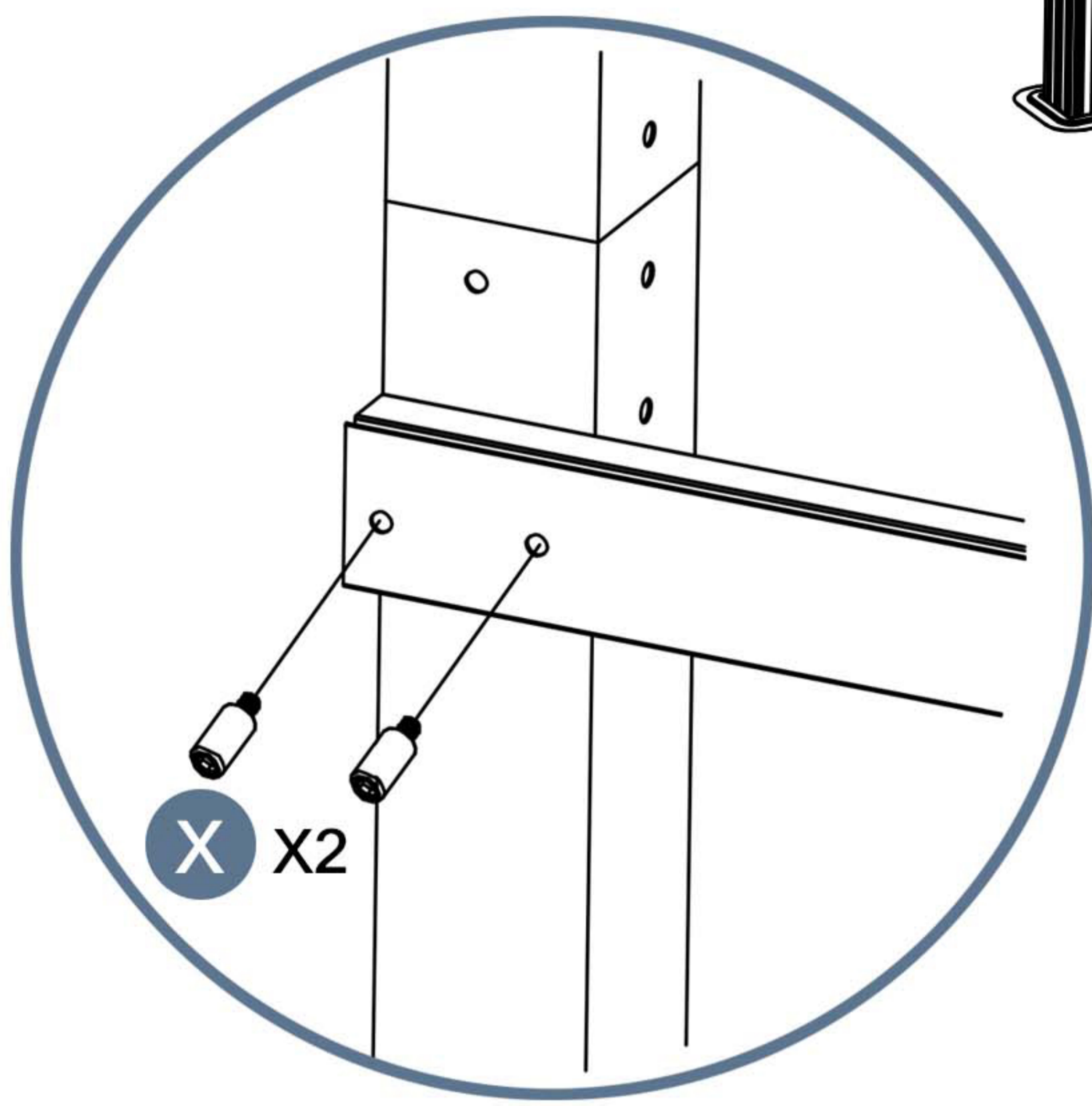
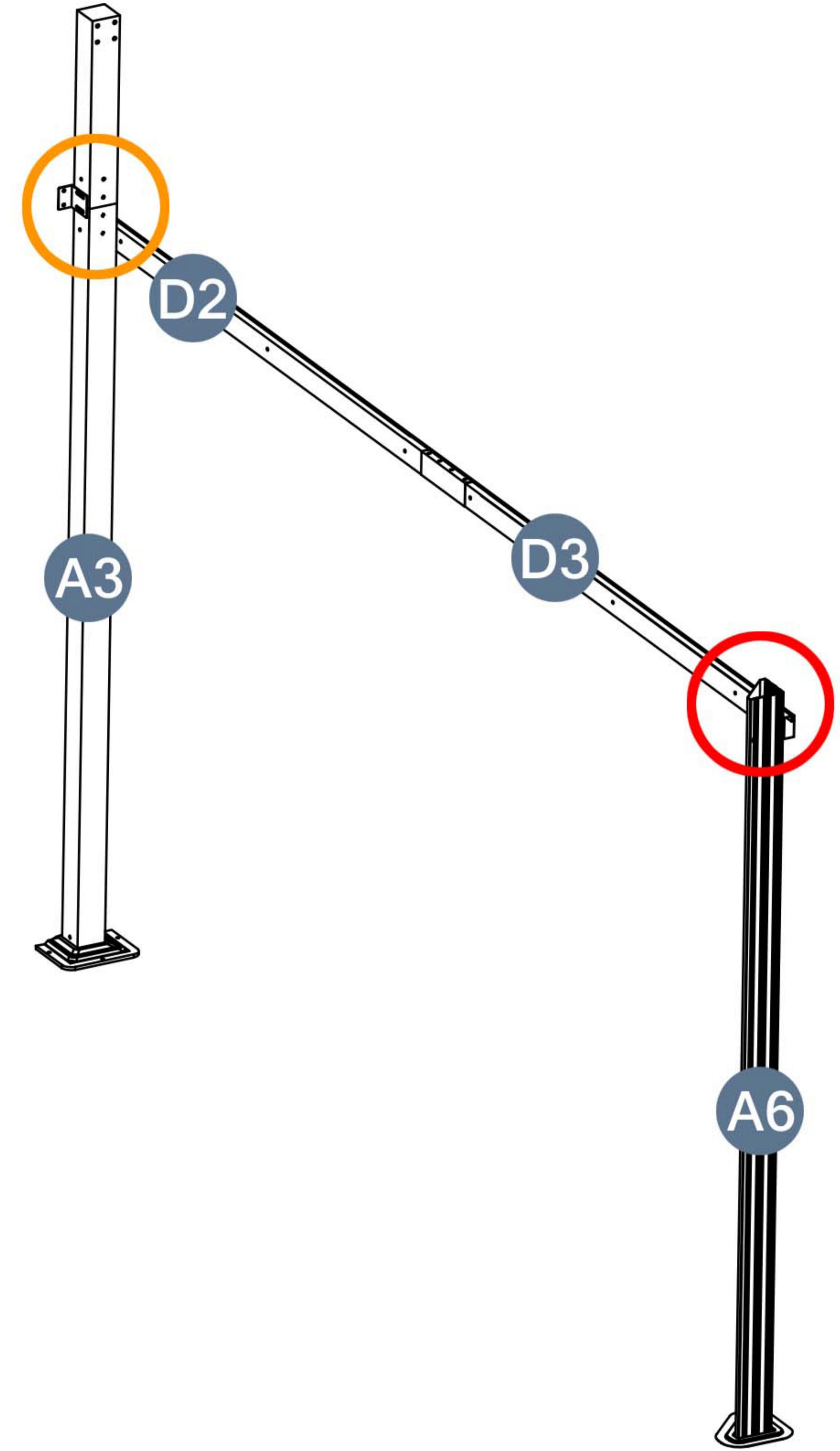
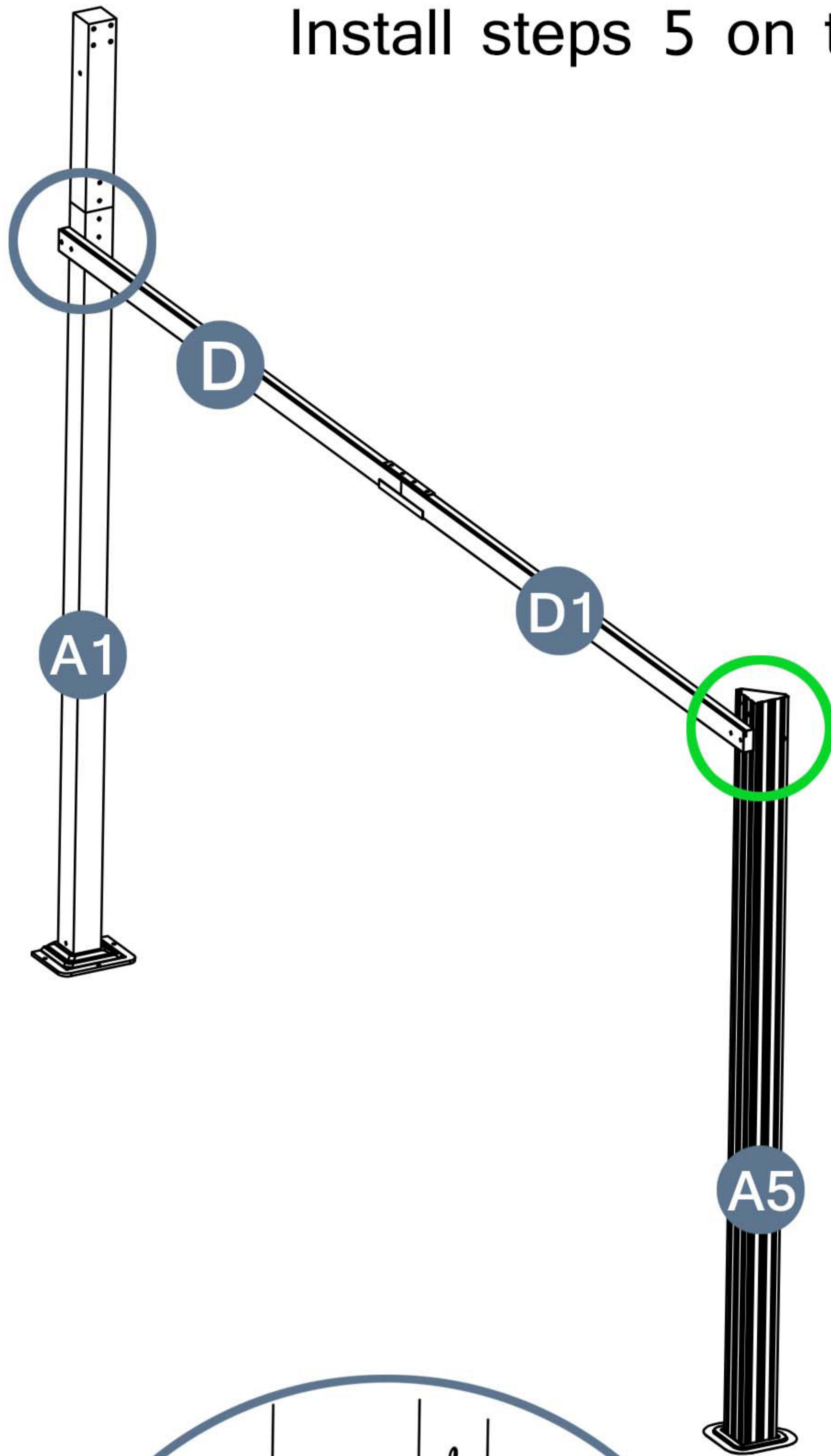
STEP 7

Parts required



X 8pcs

Install steps 5 on the bracket

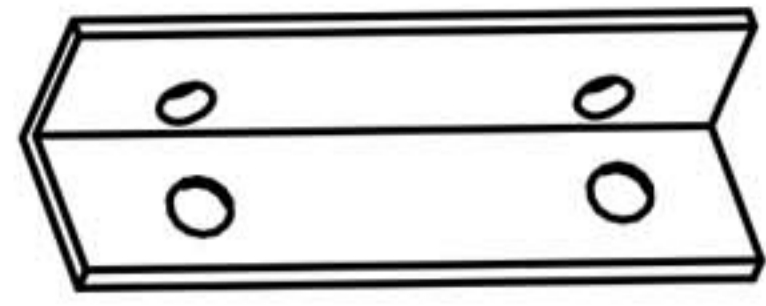


Please take care of the screws and contact the after-sales service if there is any problem with the installation or parts.

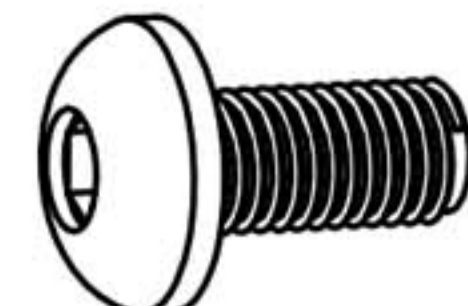
➔ ✉ E-mail: cs.helper01@gmail.com

STEP 8

Parts required



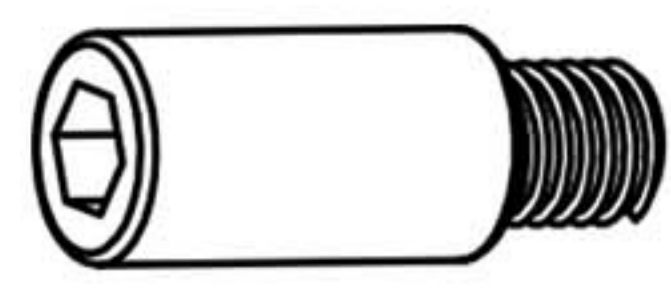
M6 2pcs



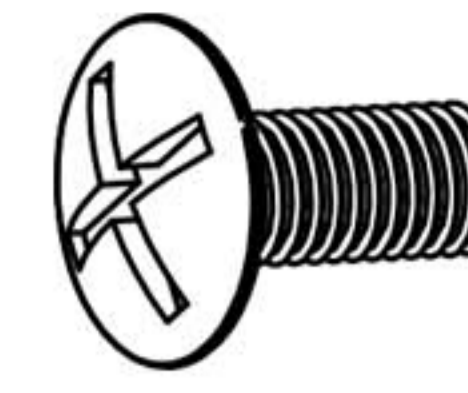
X1 4pcs



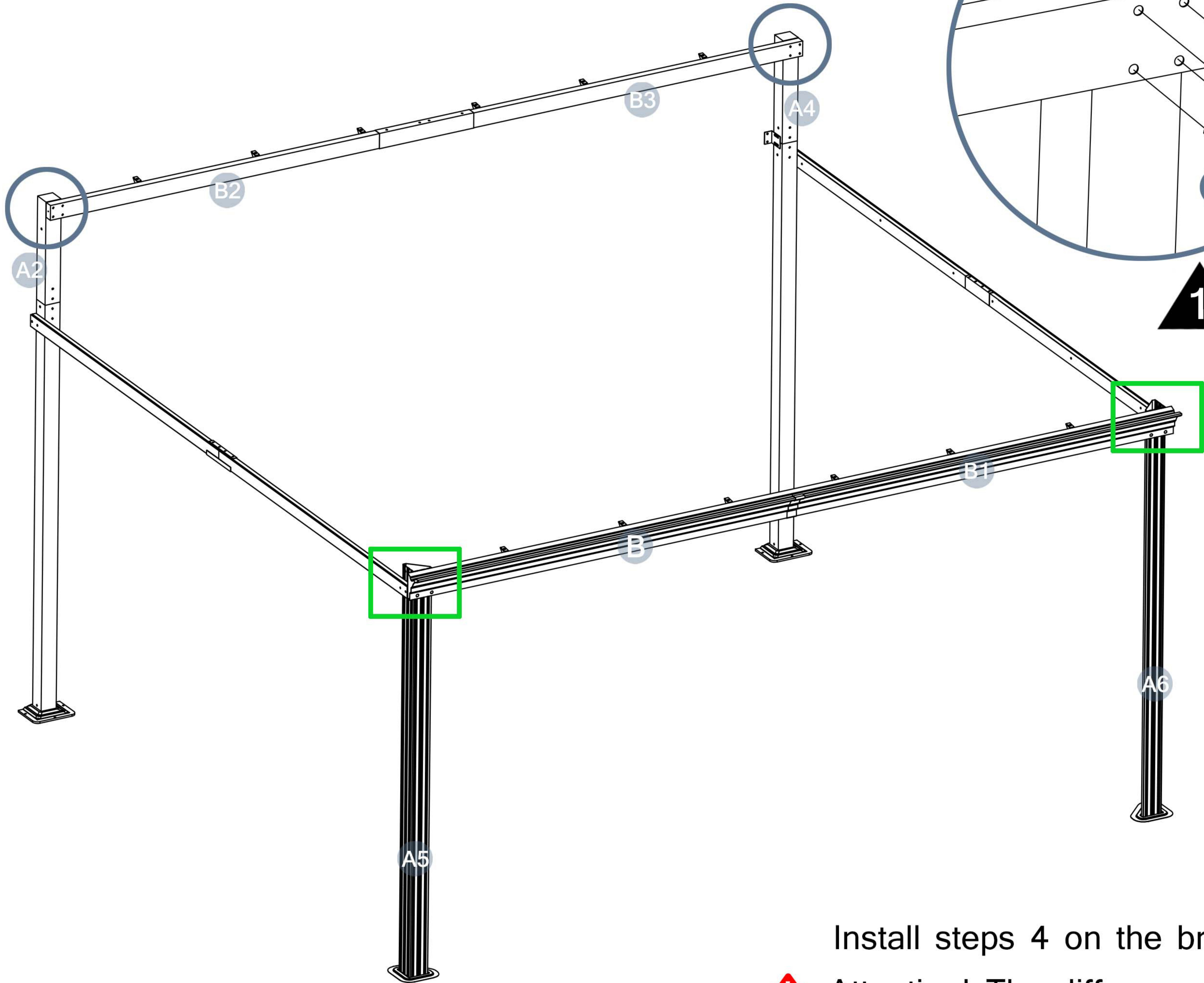
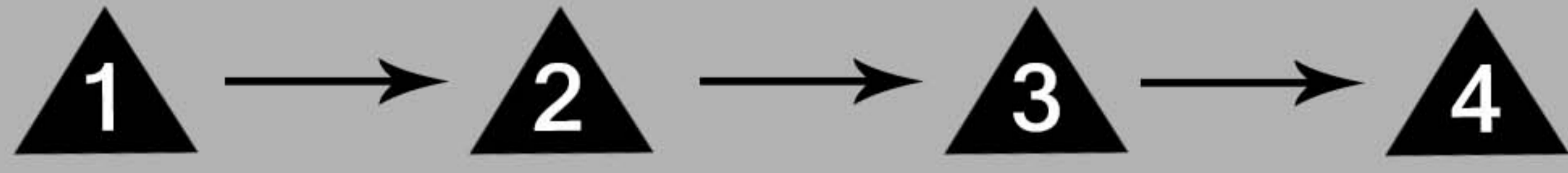
X7 4pcs



X 8pcs

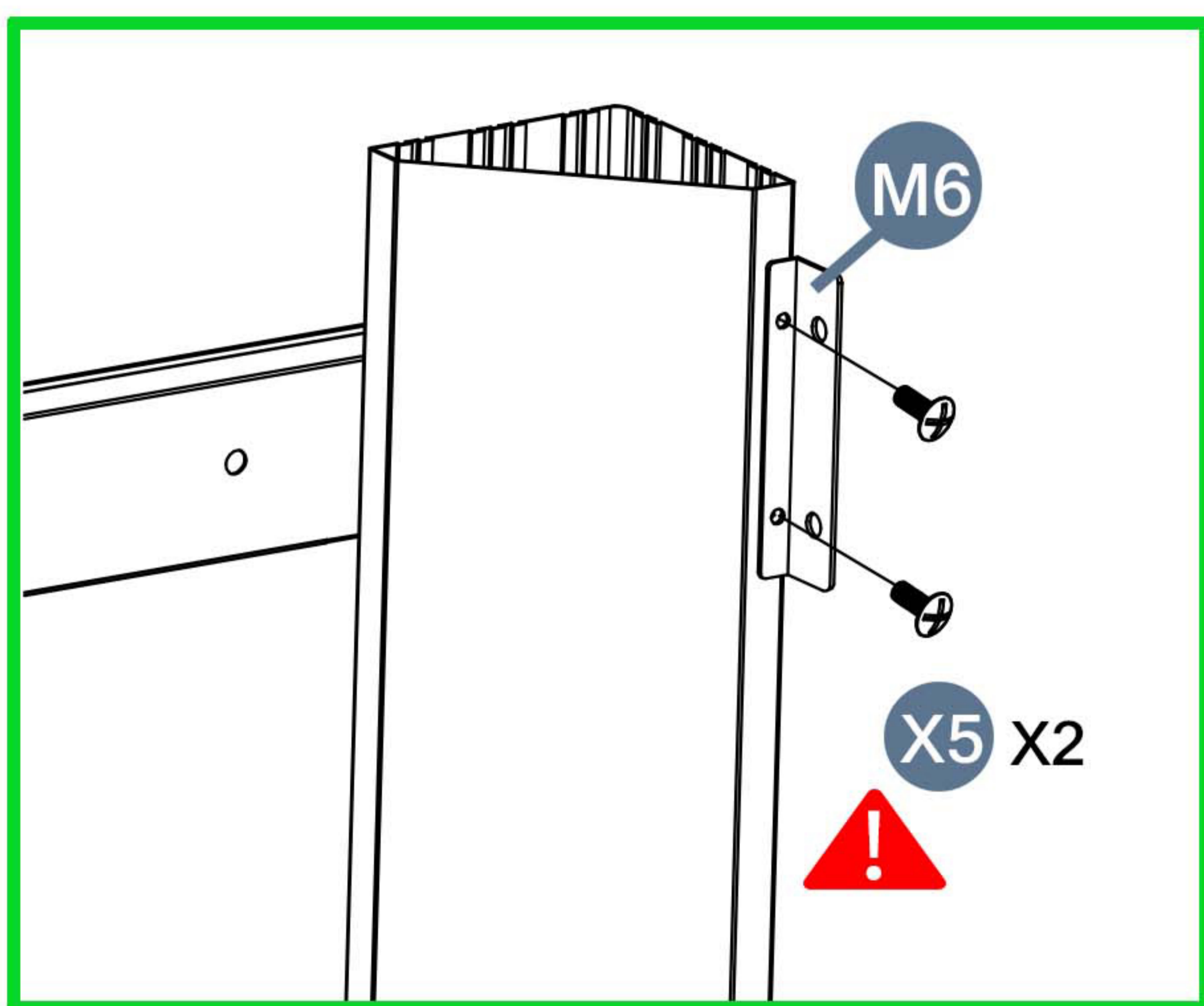


X5 4pcs

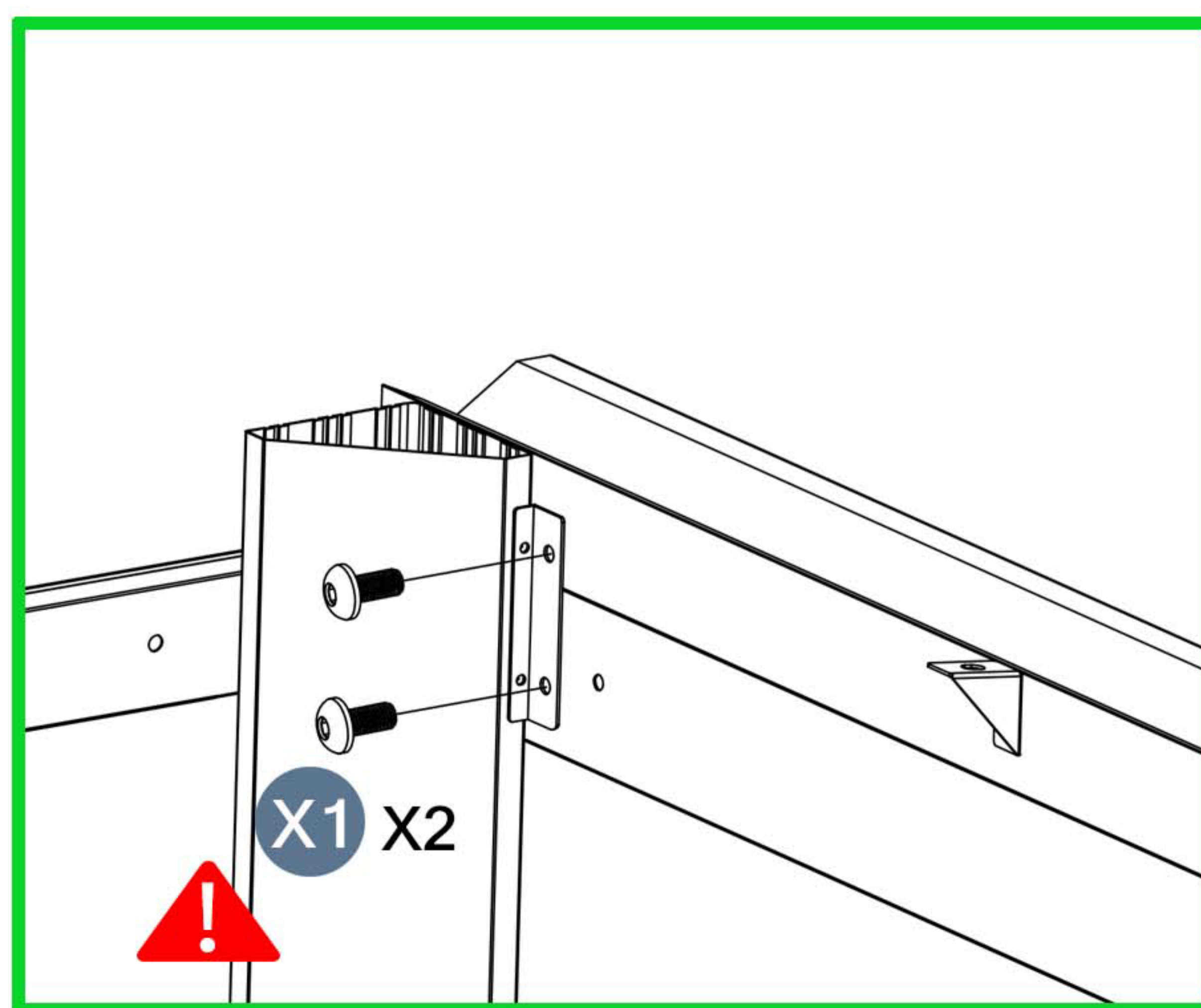


Install steps 4 on the bracket

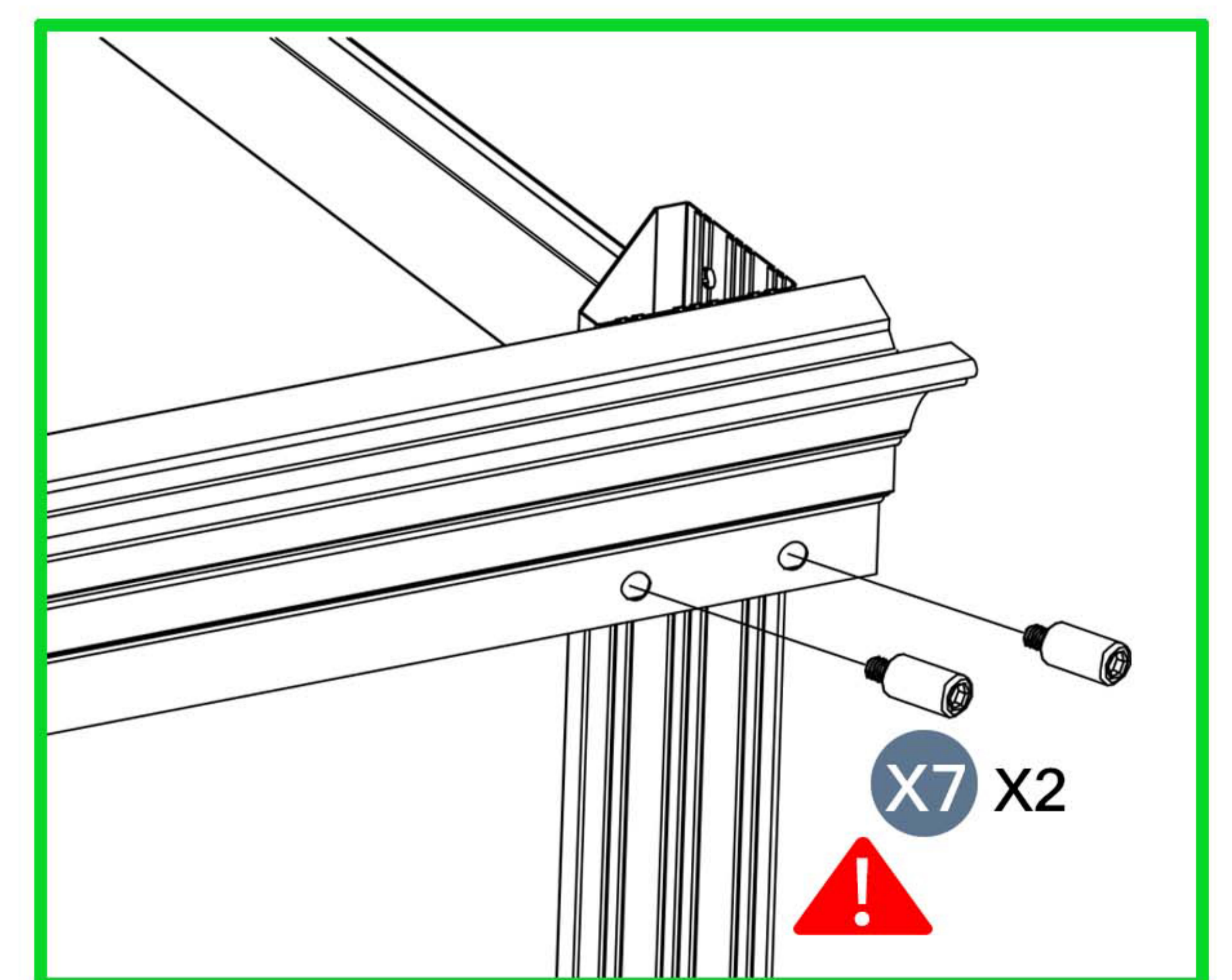
! Attention! The difference of screws



2



3



4

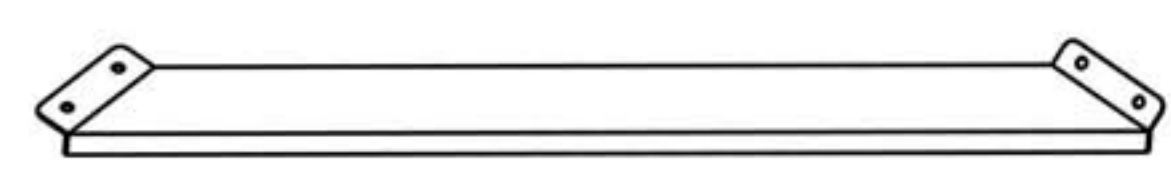
Please take care of the screws and contact the after-sales service if there is any problem with the installation or parts.



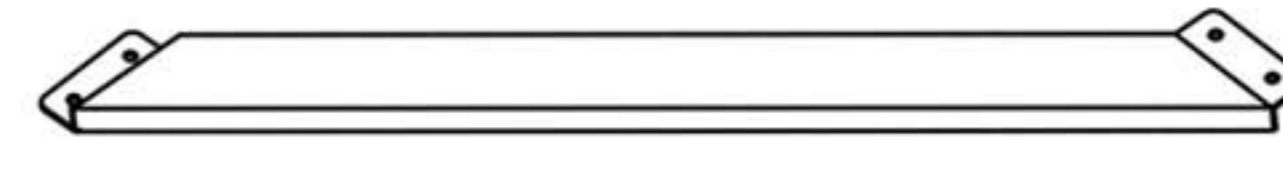
E-mail: cs.helper01@gmail.com

STEP 9

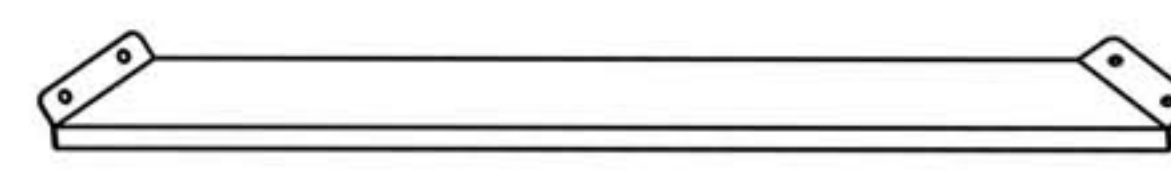
Parts required



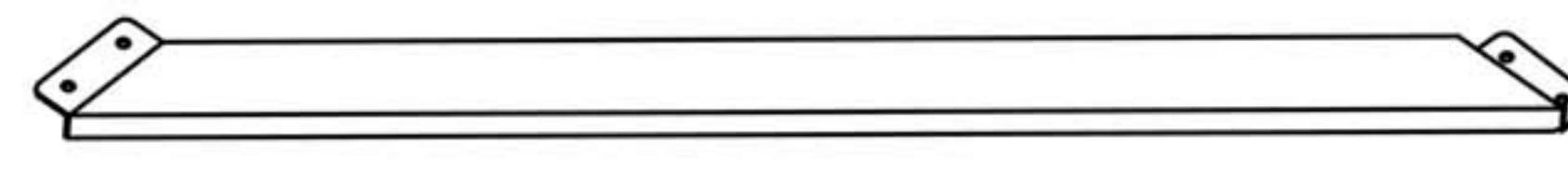
F 2pcs



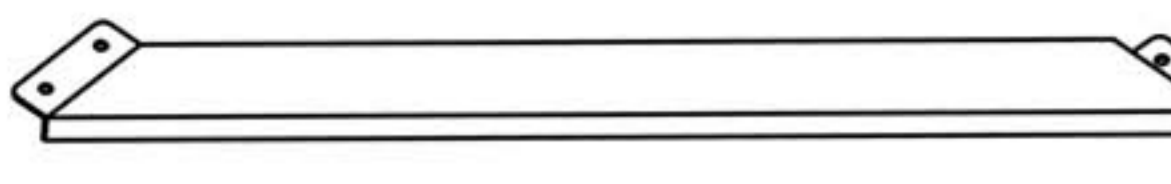
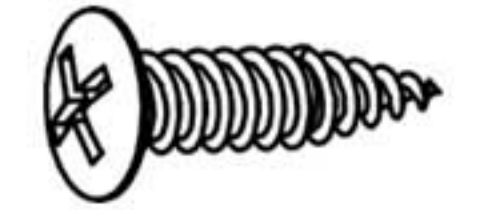
F3 1pcs



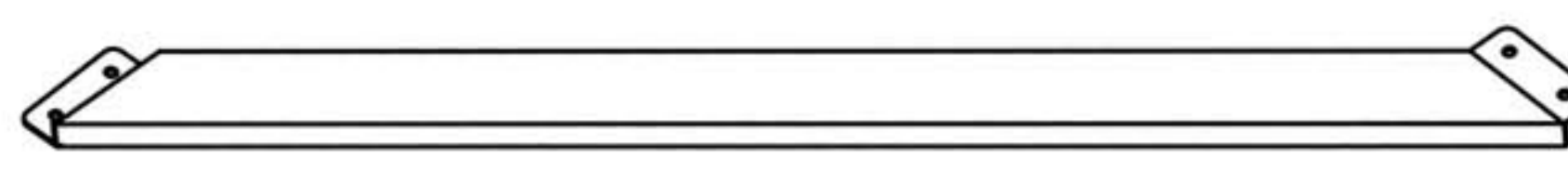
F1 2pcs



F4 1pcs



F2 1pcs

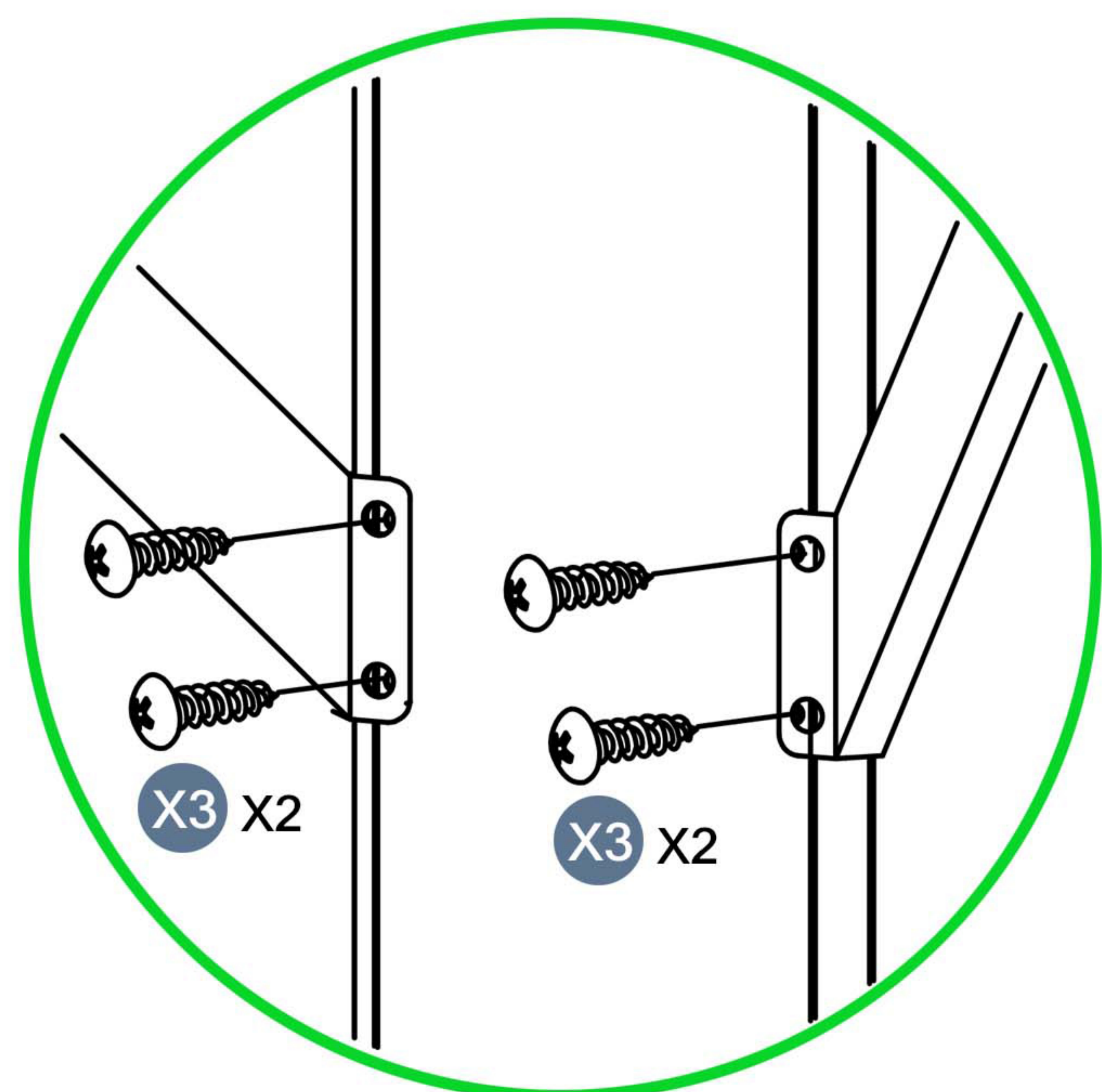
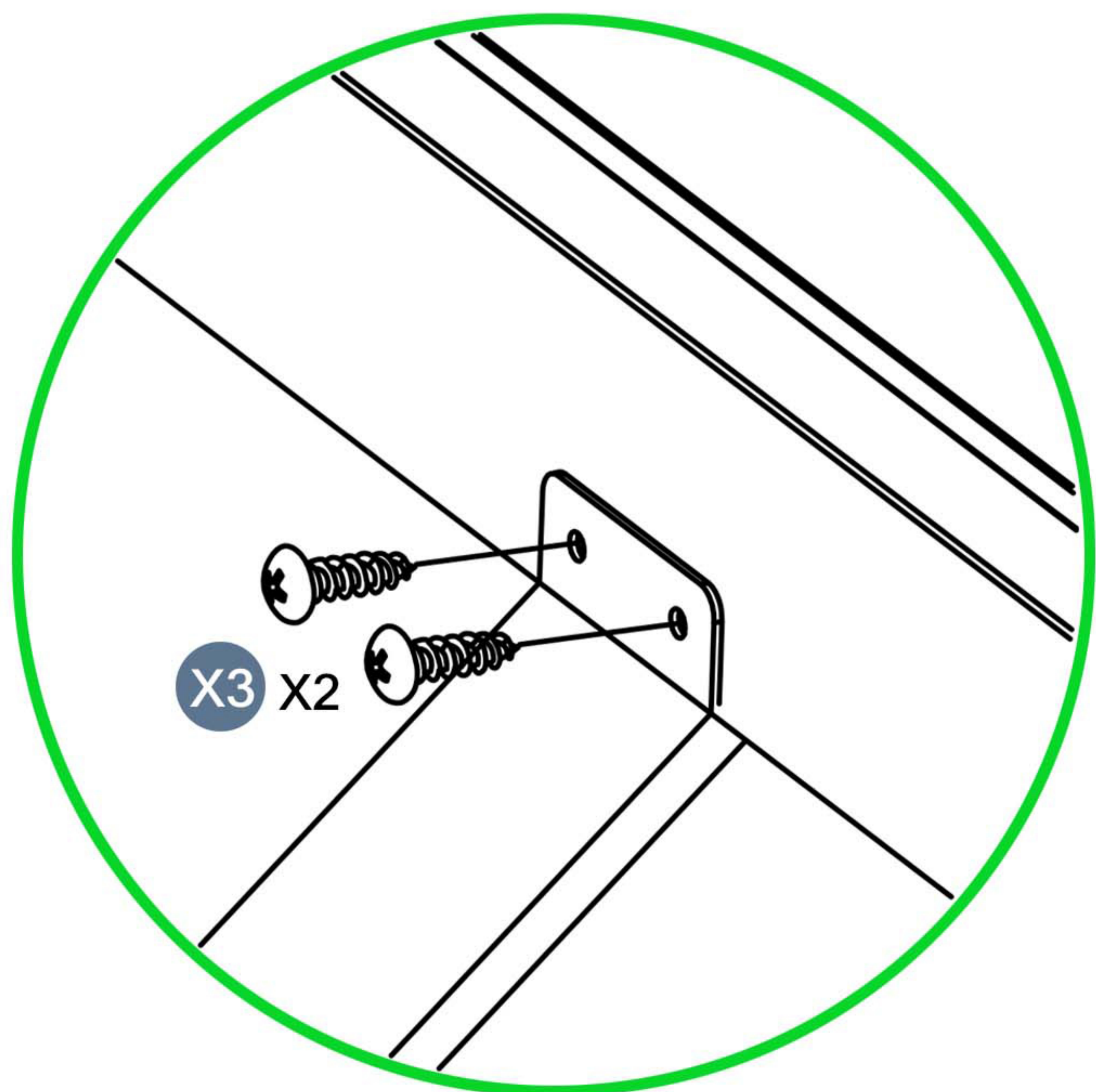
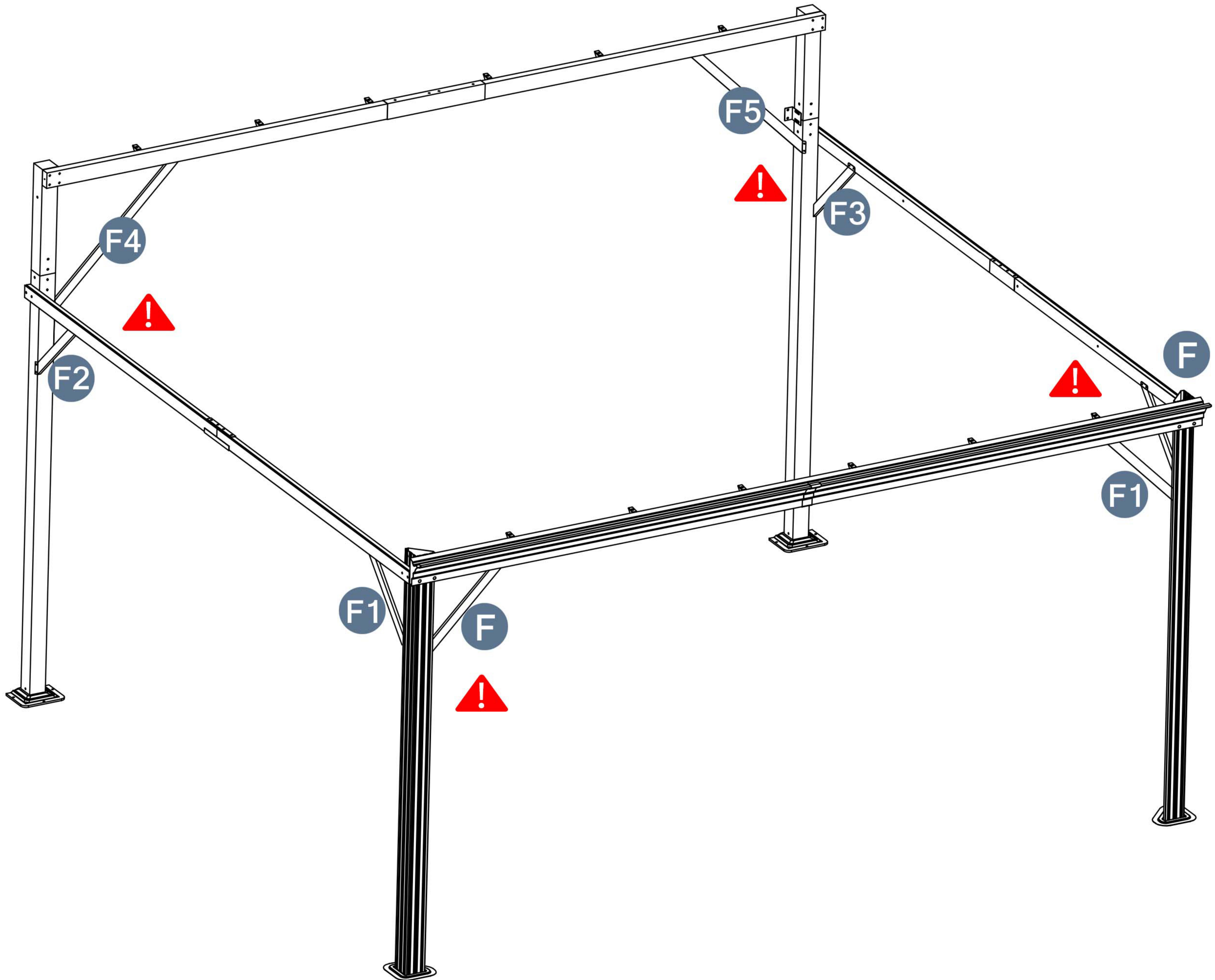


F5 1pcs

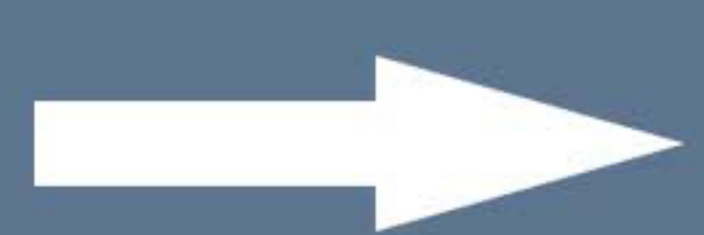
X3 32pcs



Attention! Different accessories.



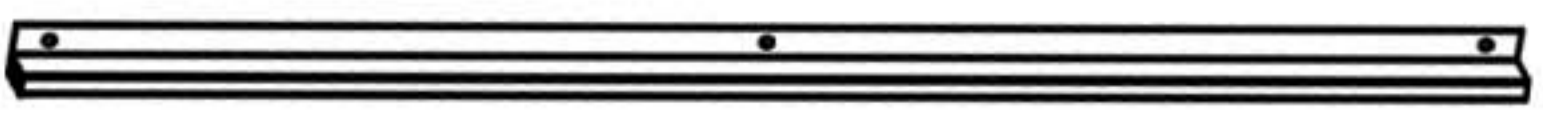


Please take care of the screws and contact the after-sales service if there is any problem with the installation or parts.



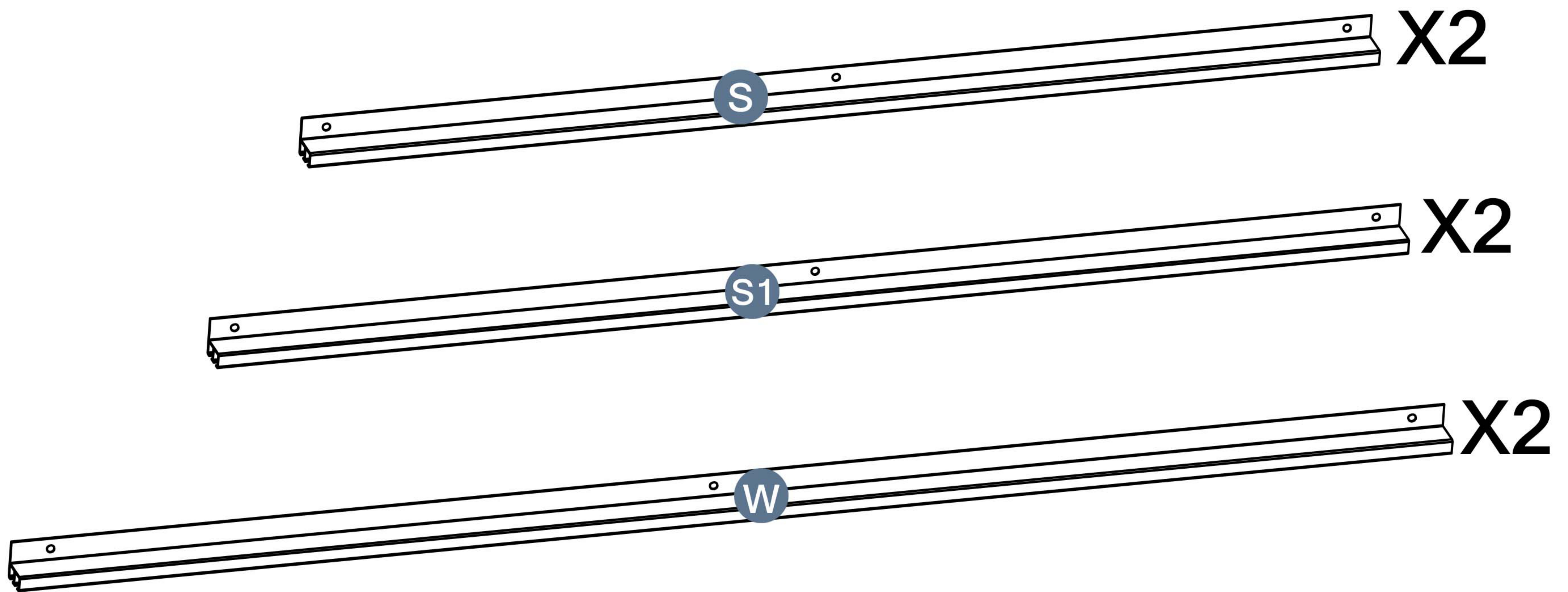
E-mail: cs.helper01@gmail.com

STEP 10

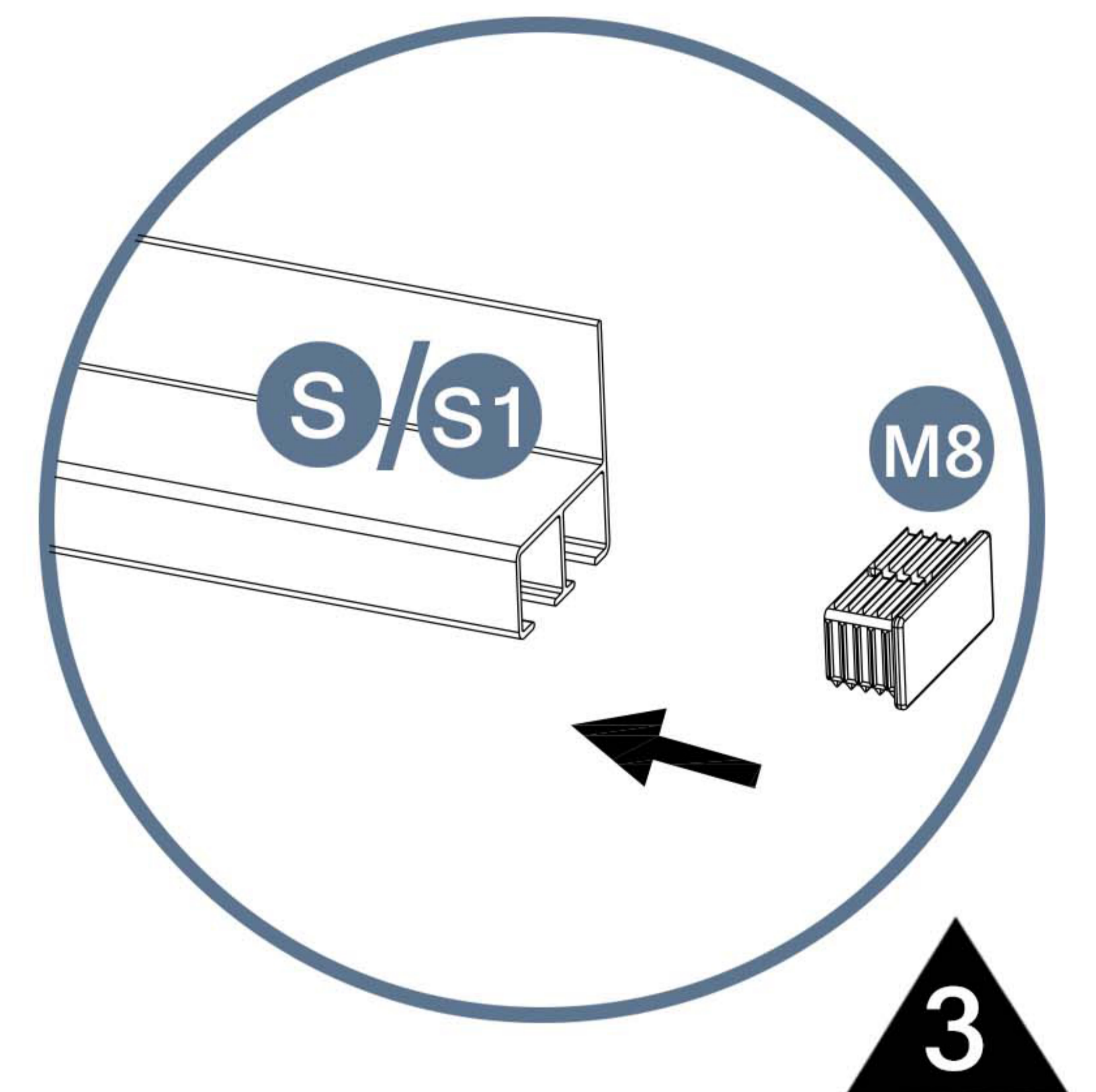
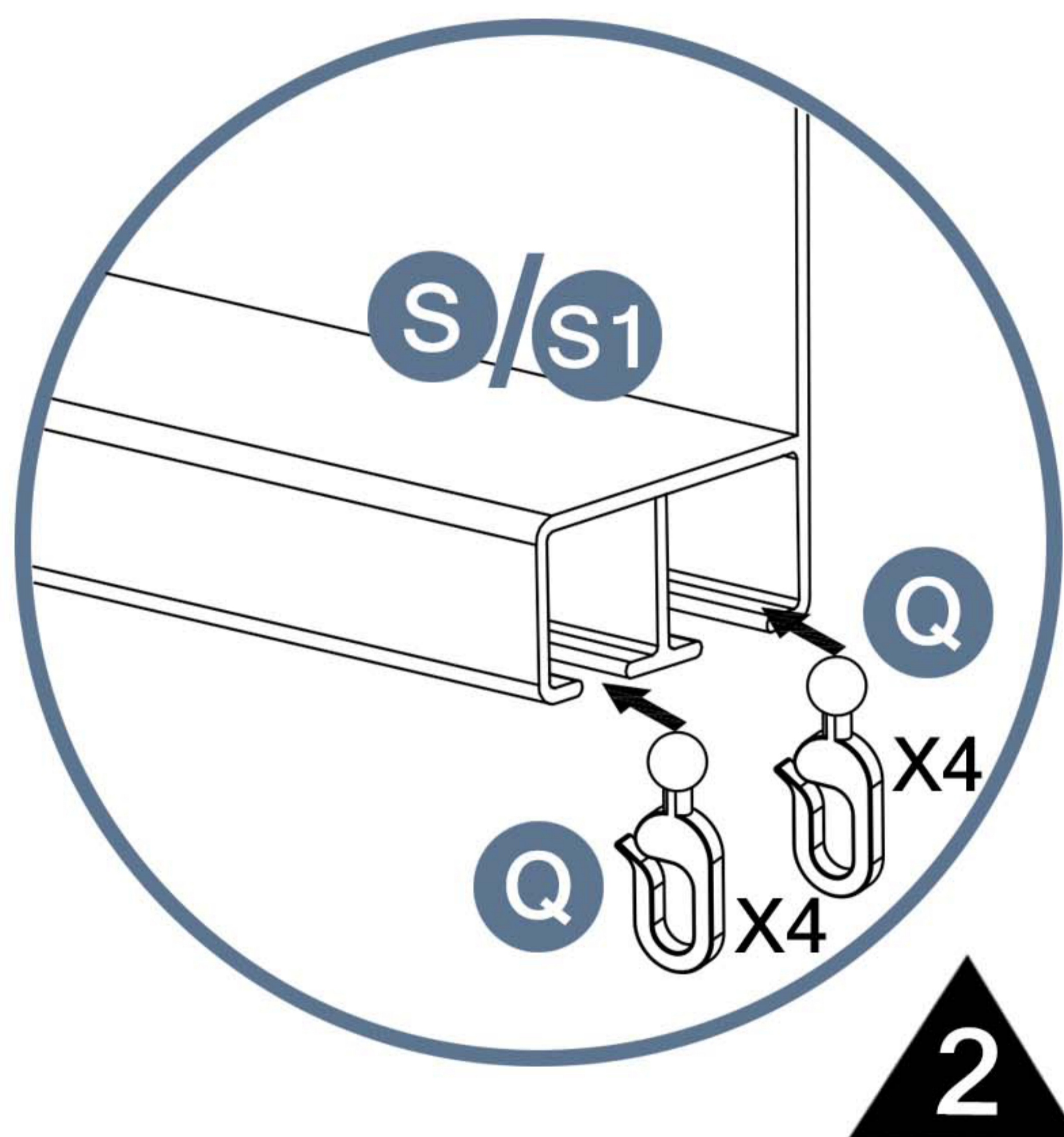
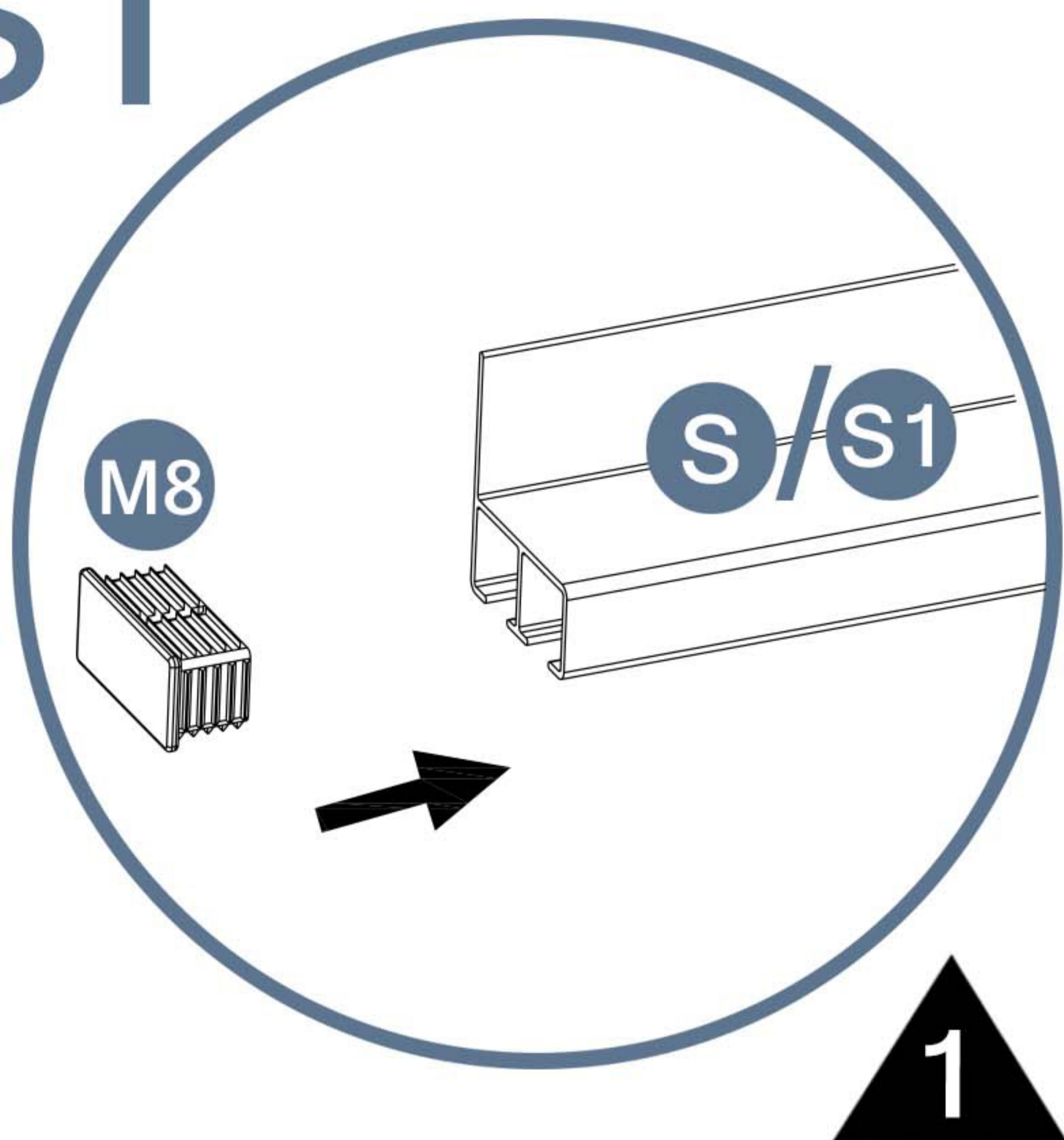
Parts required

-  S 2pcs
-  S1 2pcs
-  W 2pcs

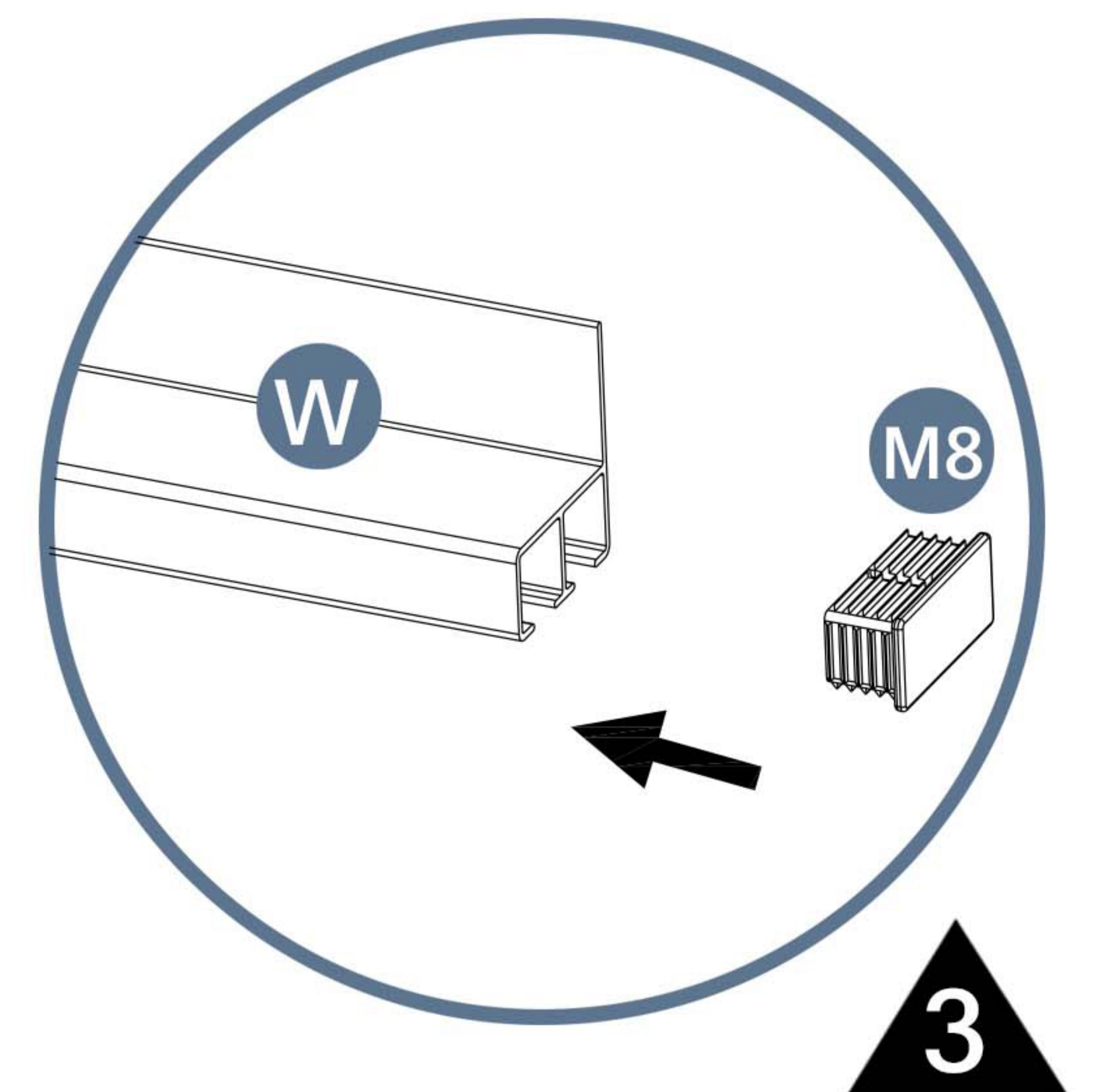
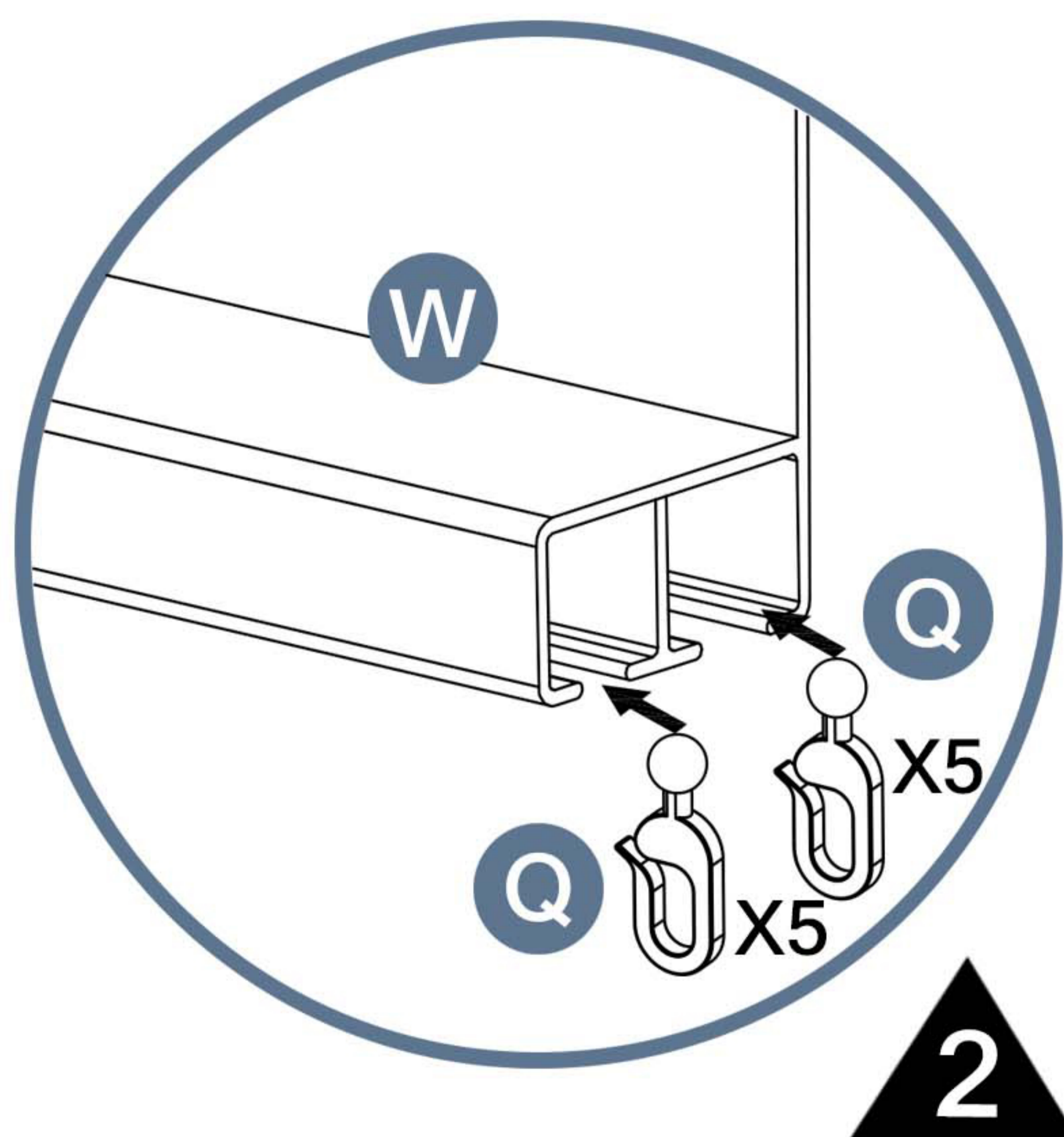
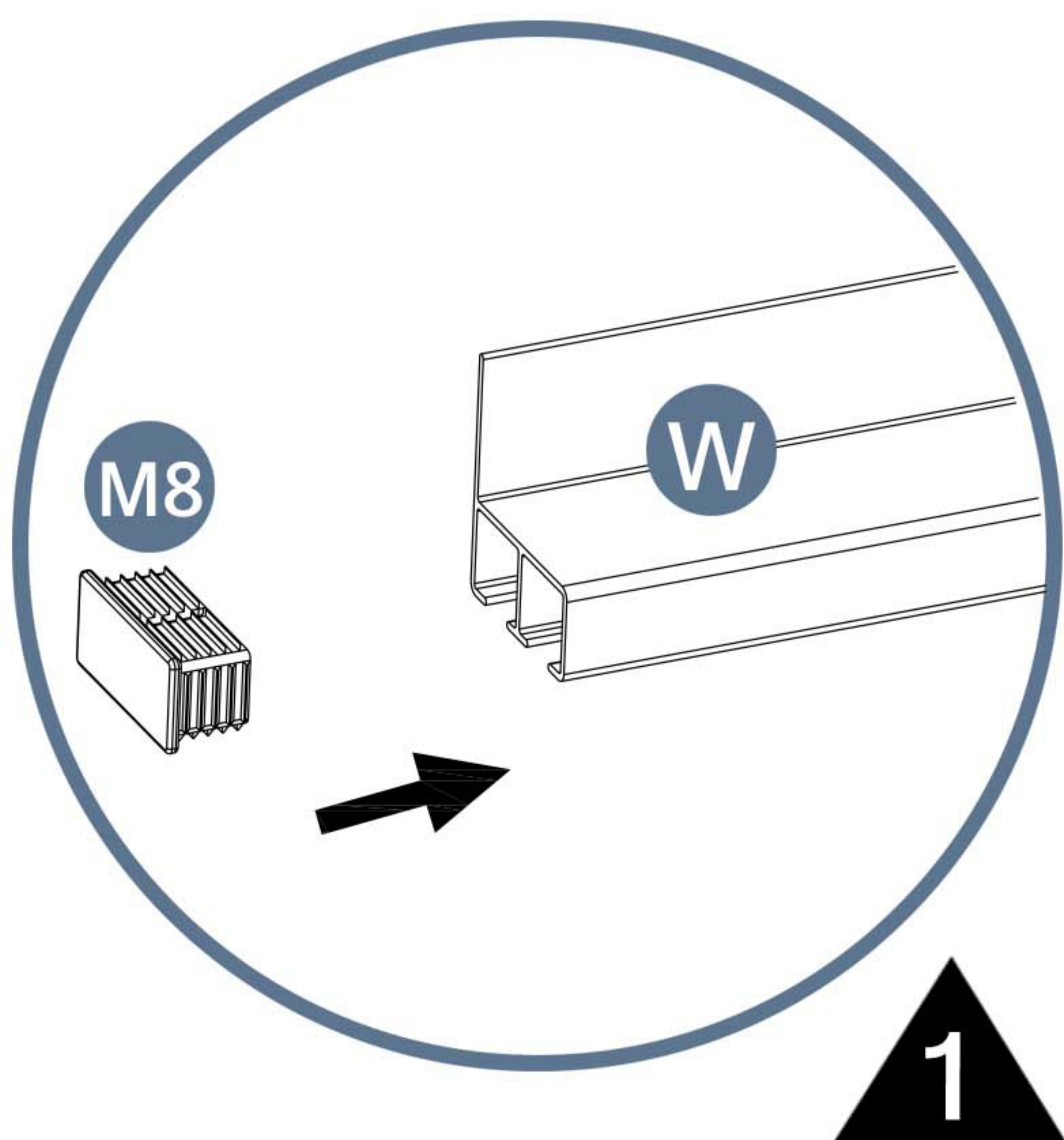
-  M8 12pcs
-  Q 52pcs



S/S1



W

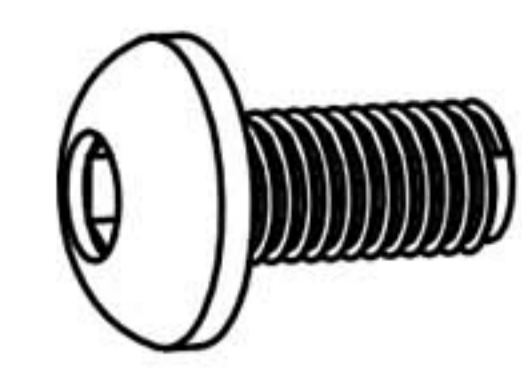


Please take care of the screws and contact the after-sales service if there is any problem with the installation or parts.

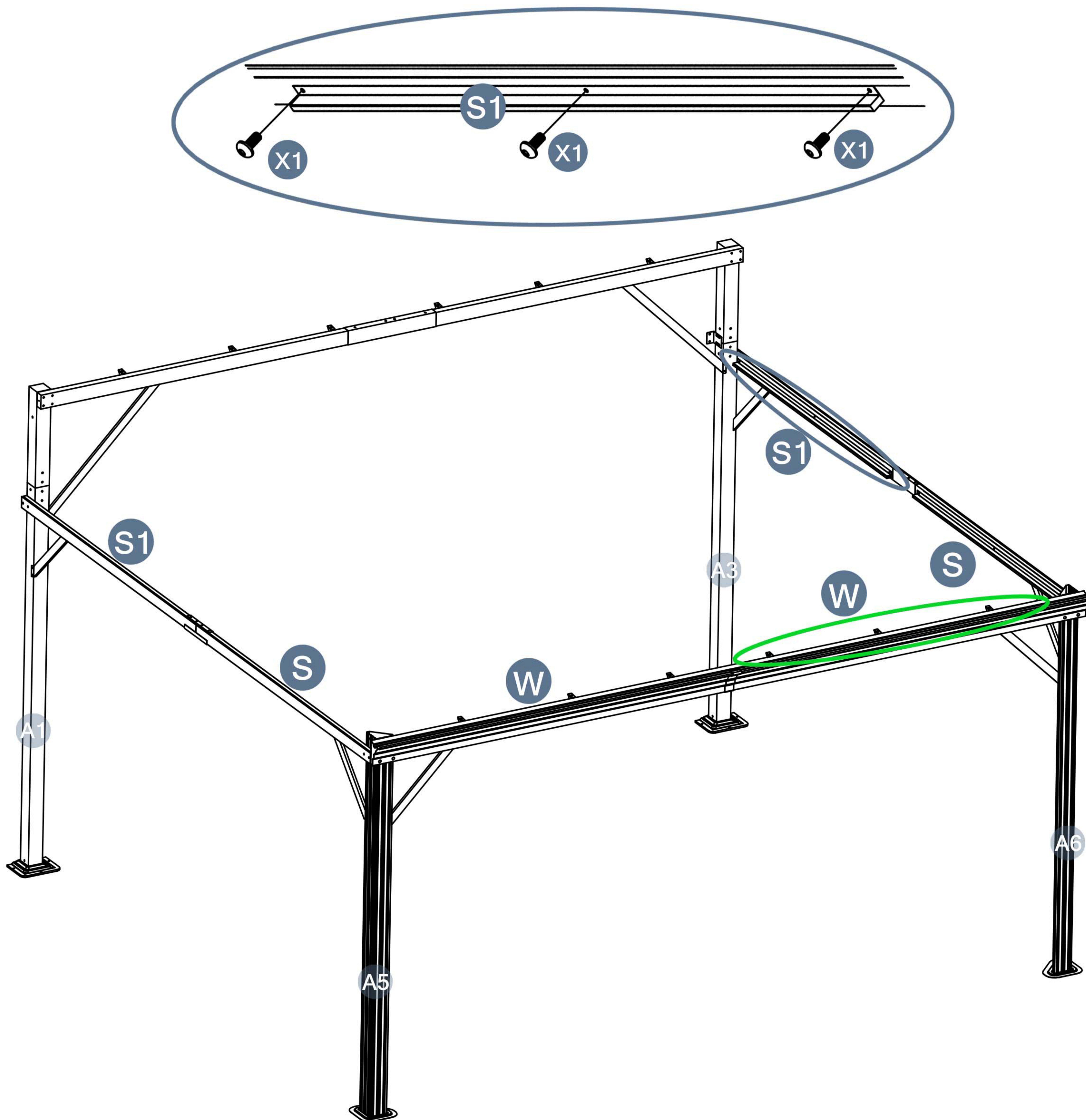
➔ ✉ E-mail: cs.helper01@gmail.com

STEP 11


Parts required

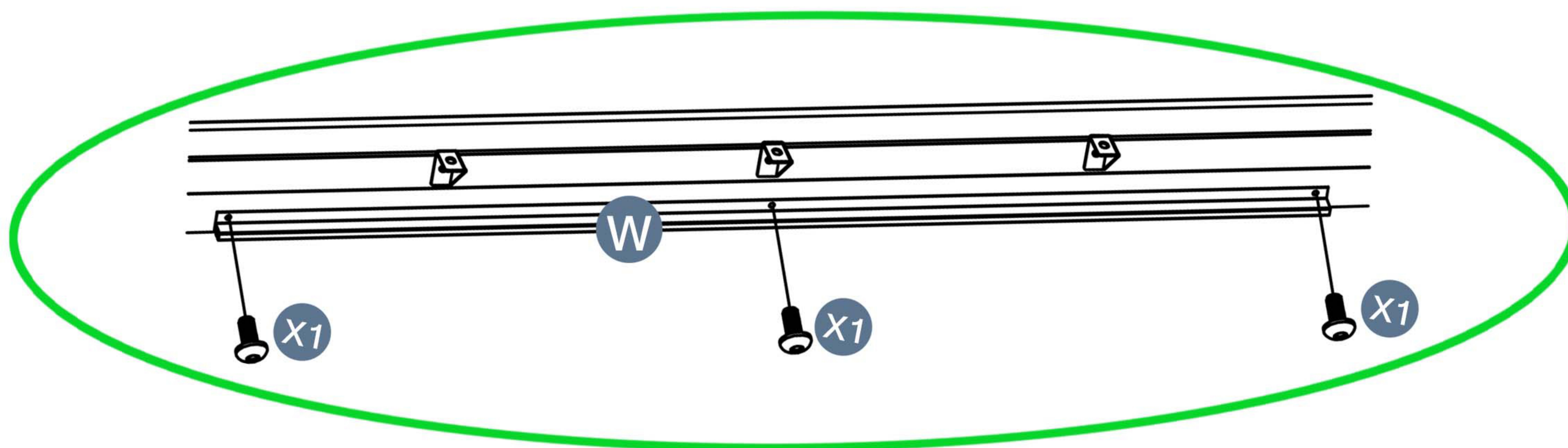


X1 18pcs



The reference is shown in the picture.

 The same installation method, install the **S**、**S1** and **W** tubes on the bracket.

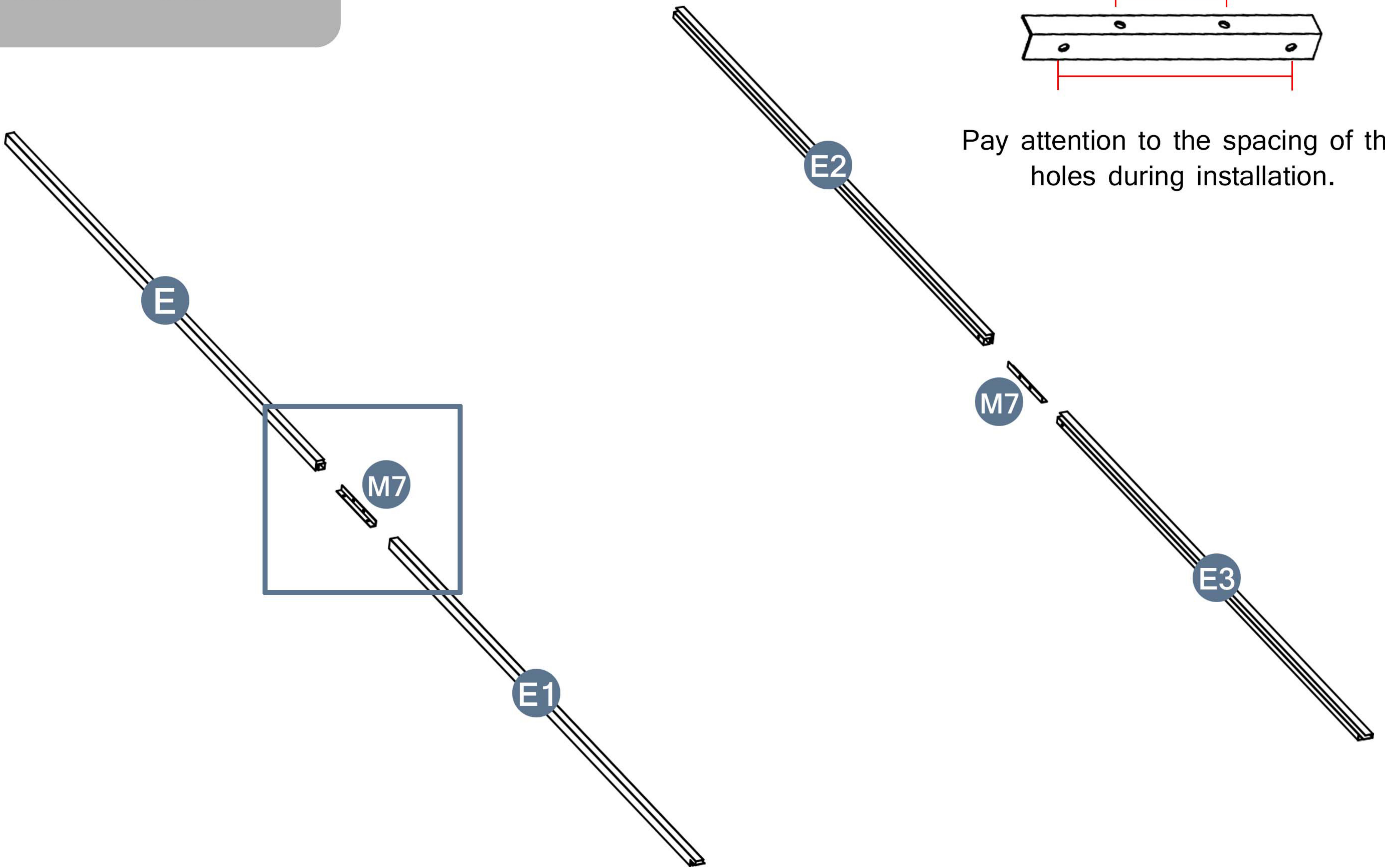
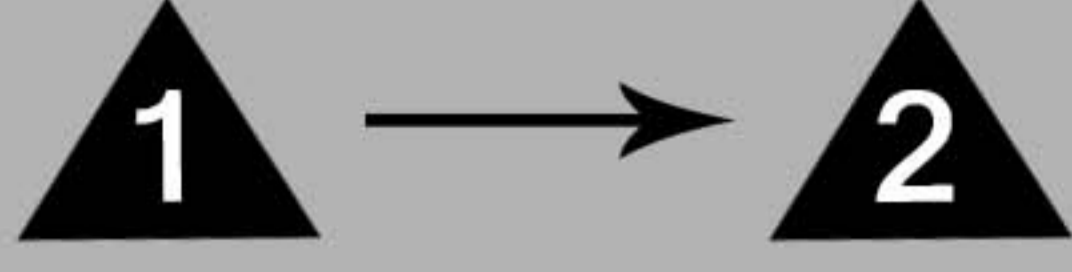
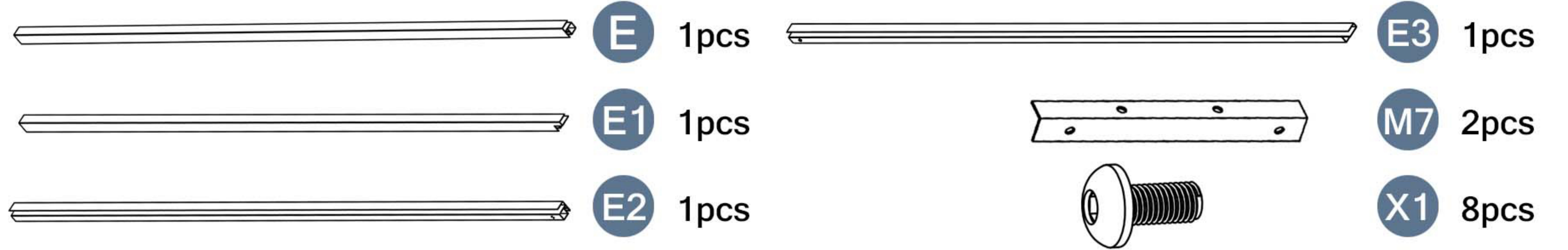


Please take care of the screws and contact the after-sales service if there is any problem with the installation or parts.

  E-mail: cs.helper01@gmail.com

STEP 12

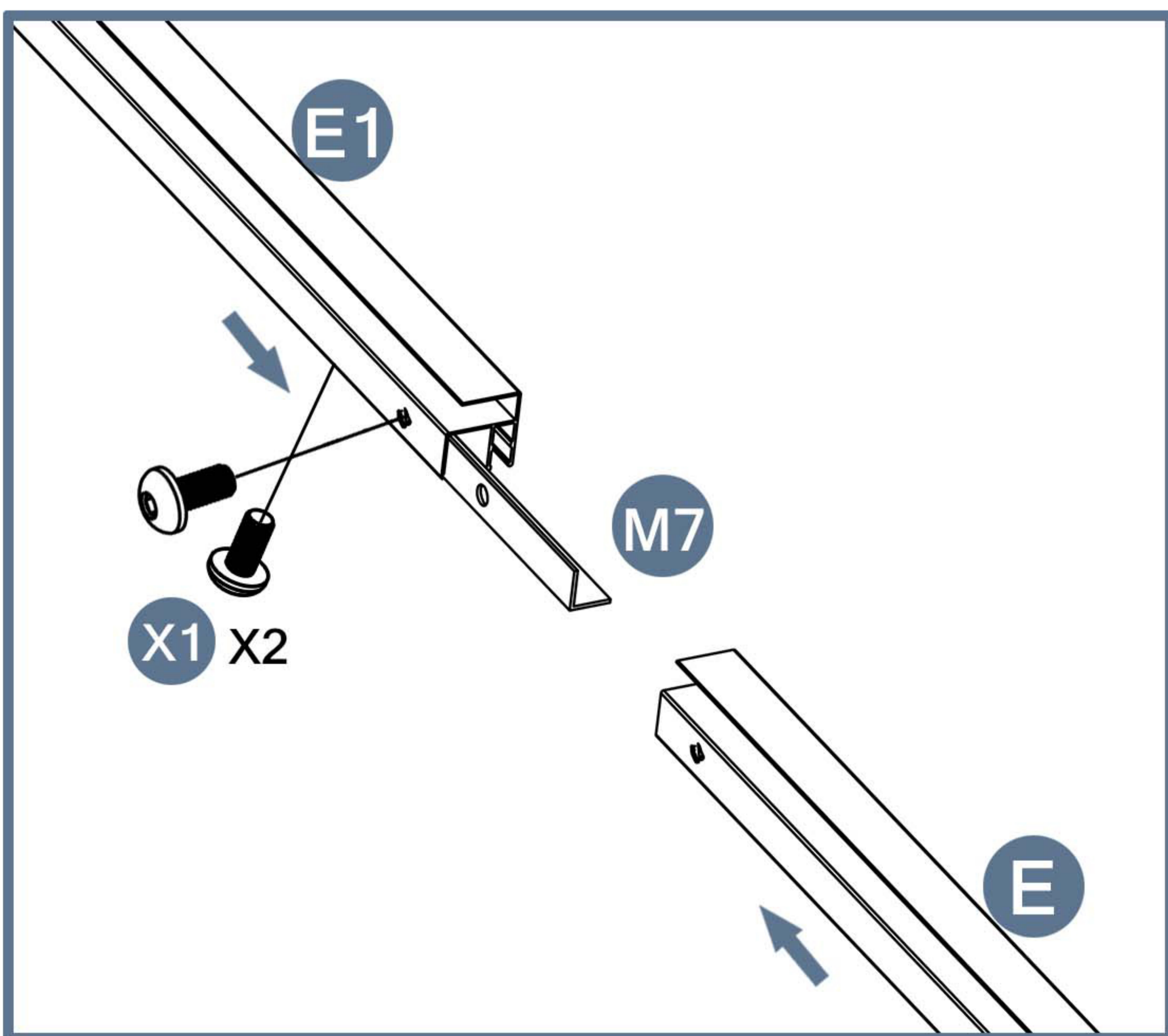
Parts required



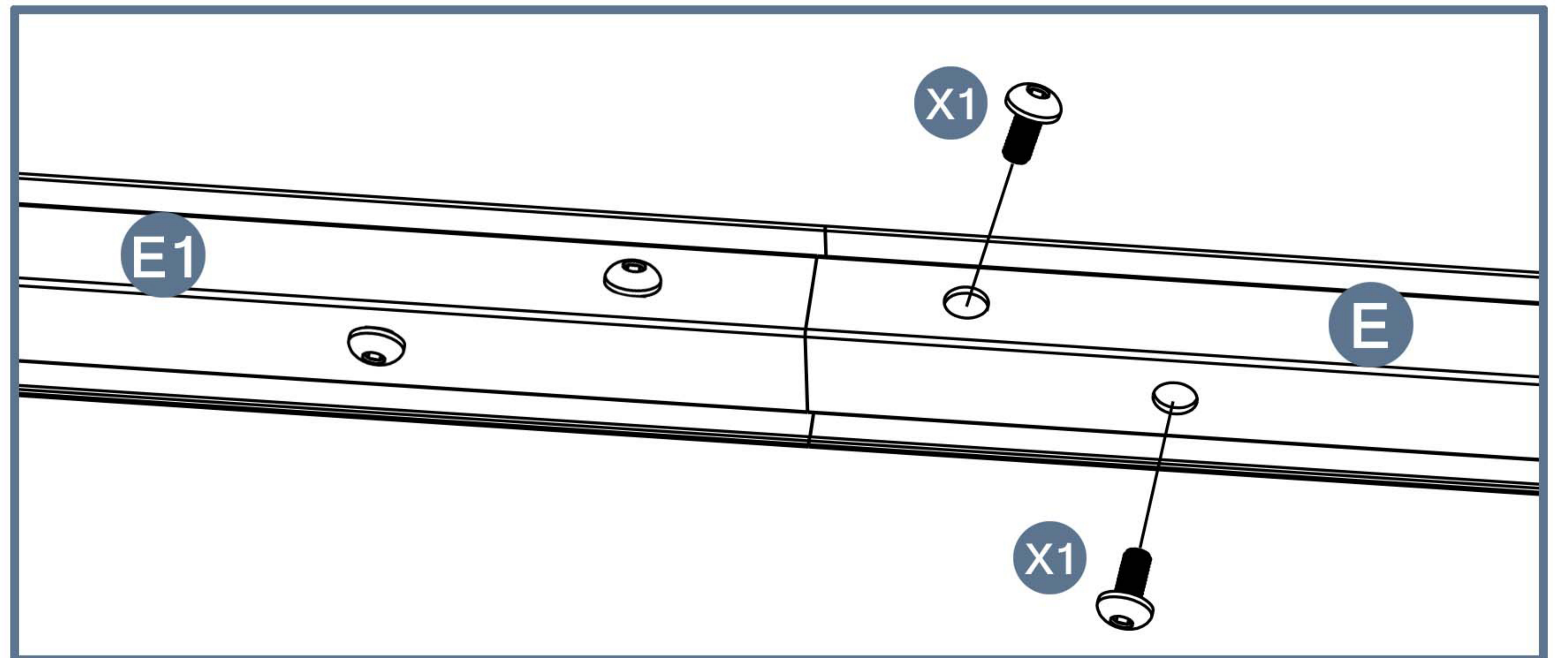
Pay attention to the spacing of the holes during installation.

 The reference is shown in the picture.

The same installation method. Install **E2** tube and **E3** tubes on the **M7** bracket.



1

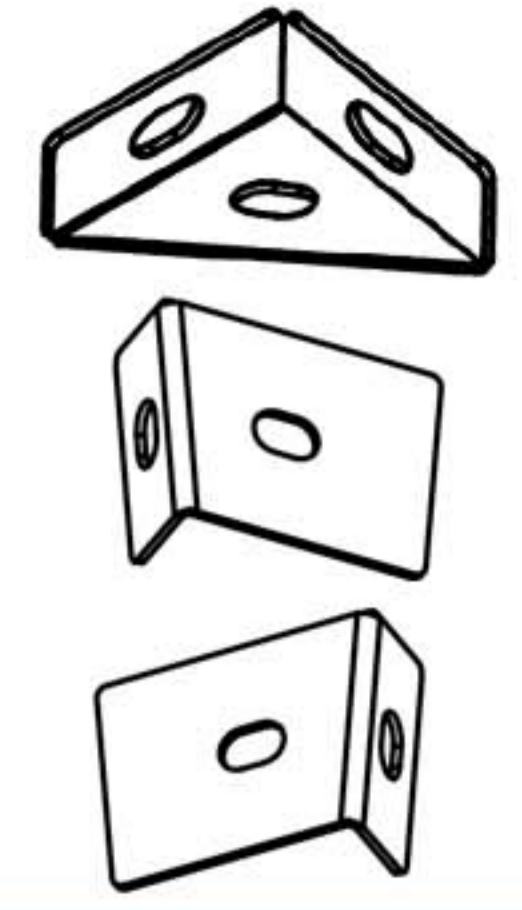


2

Please take care of the screws and contact the after-sales service if there is any problem with the installation or parts.

STEP 13

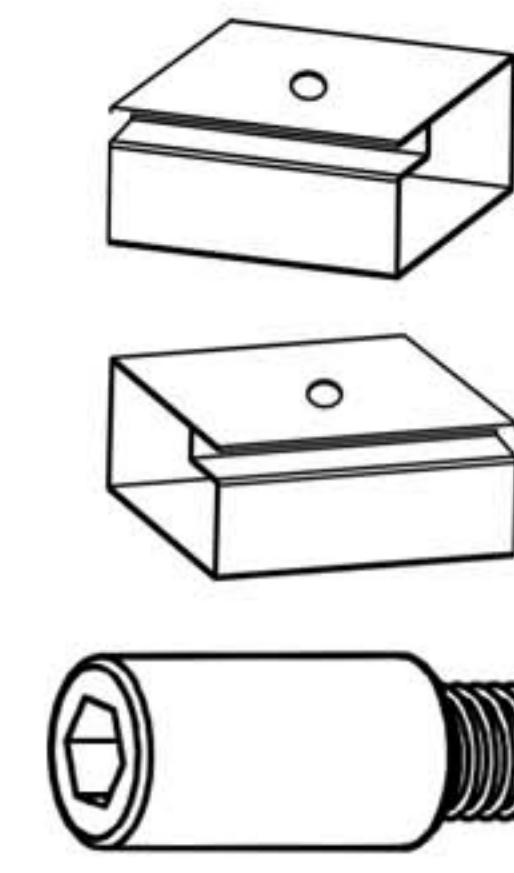
Parts required



M2 2pcs

M3 1pcs

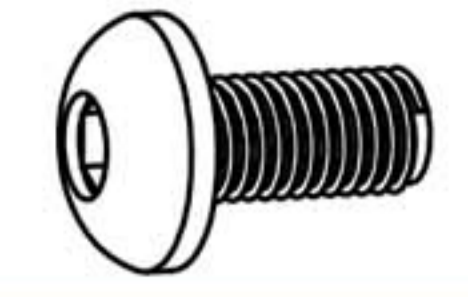
M4 1pcs



H1 1pcs

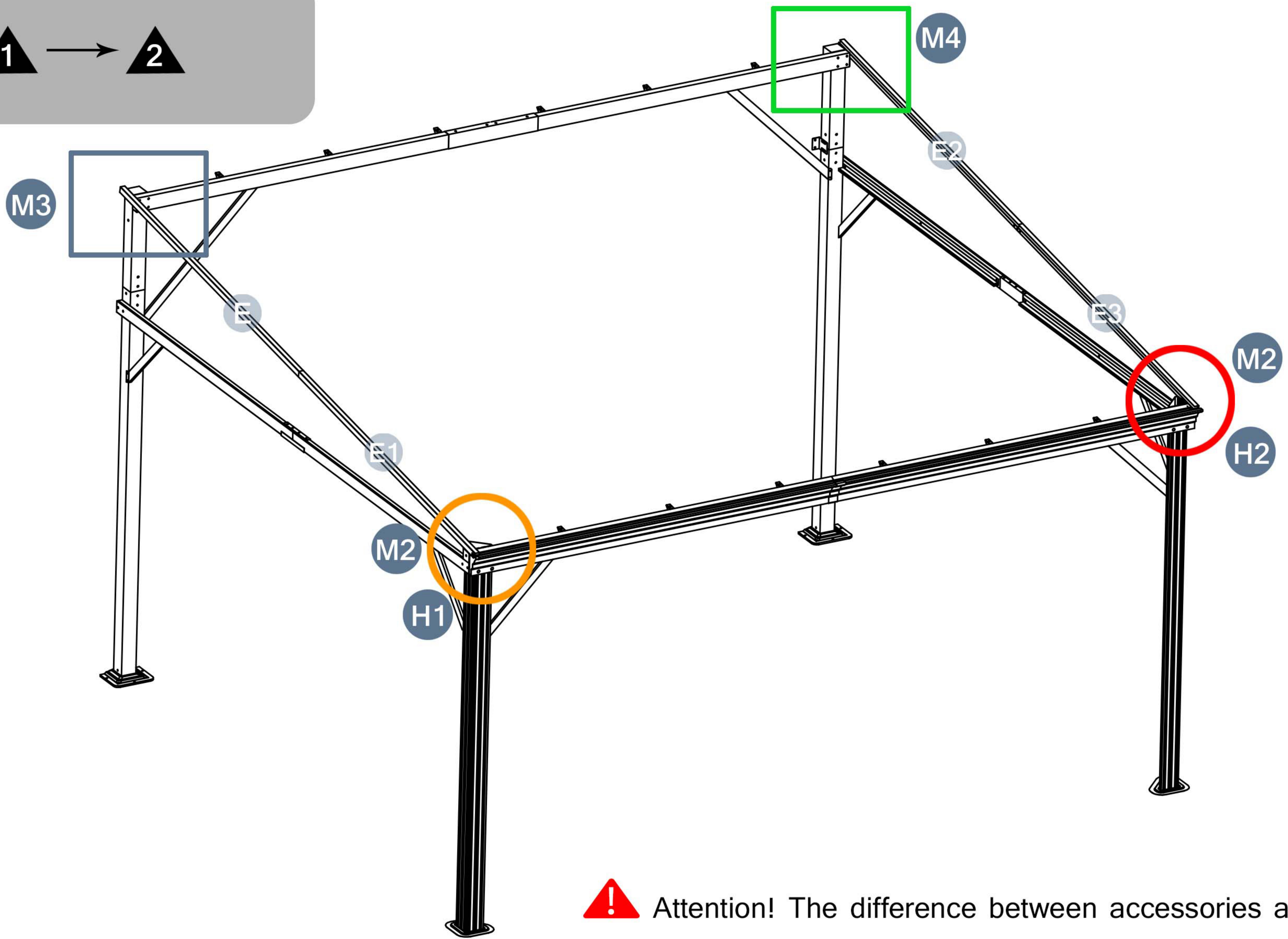
H2 1pcs

X 2pcs

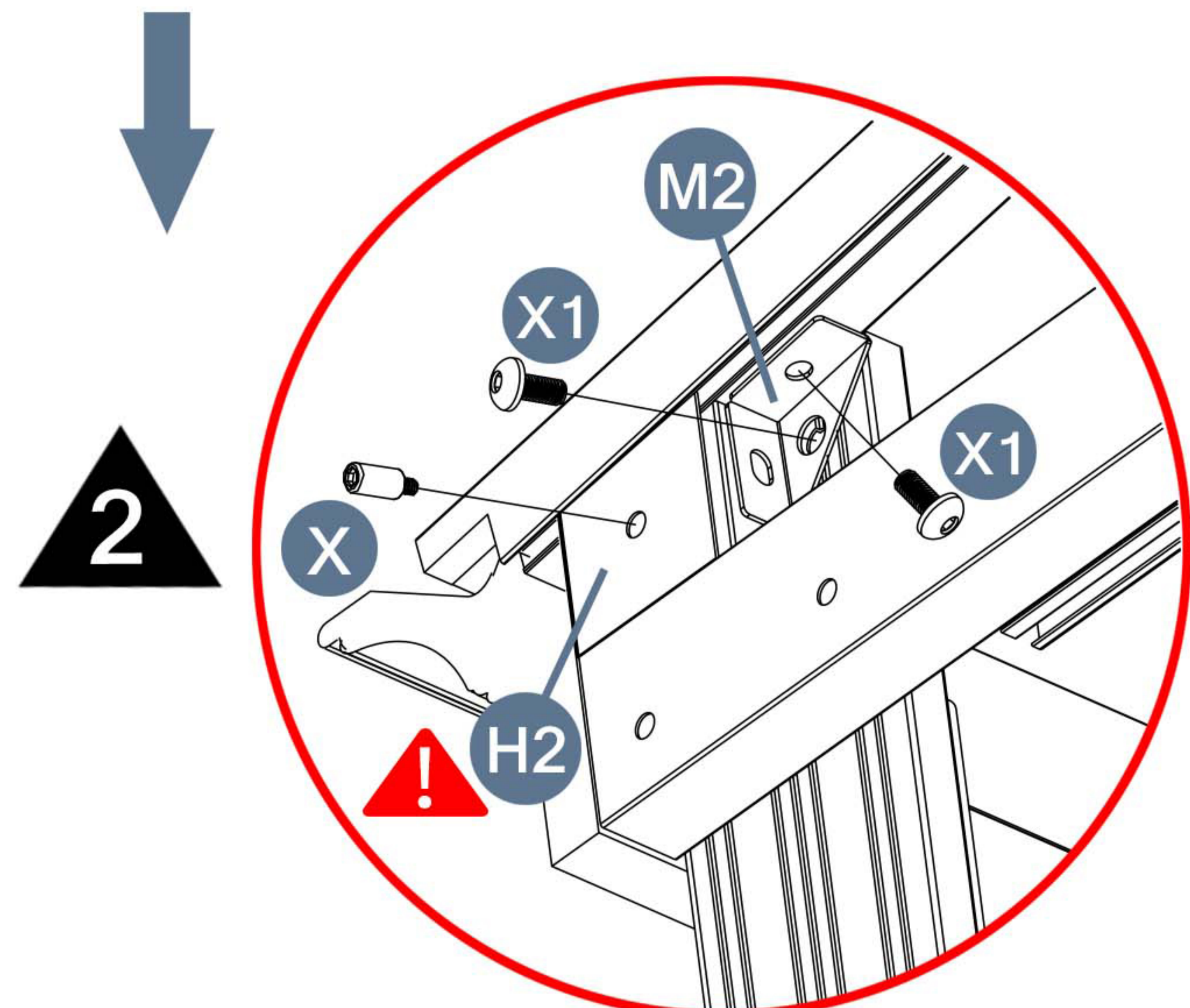
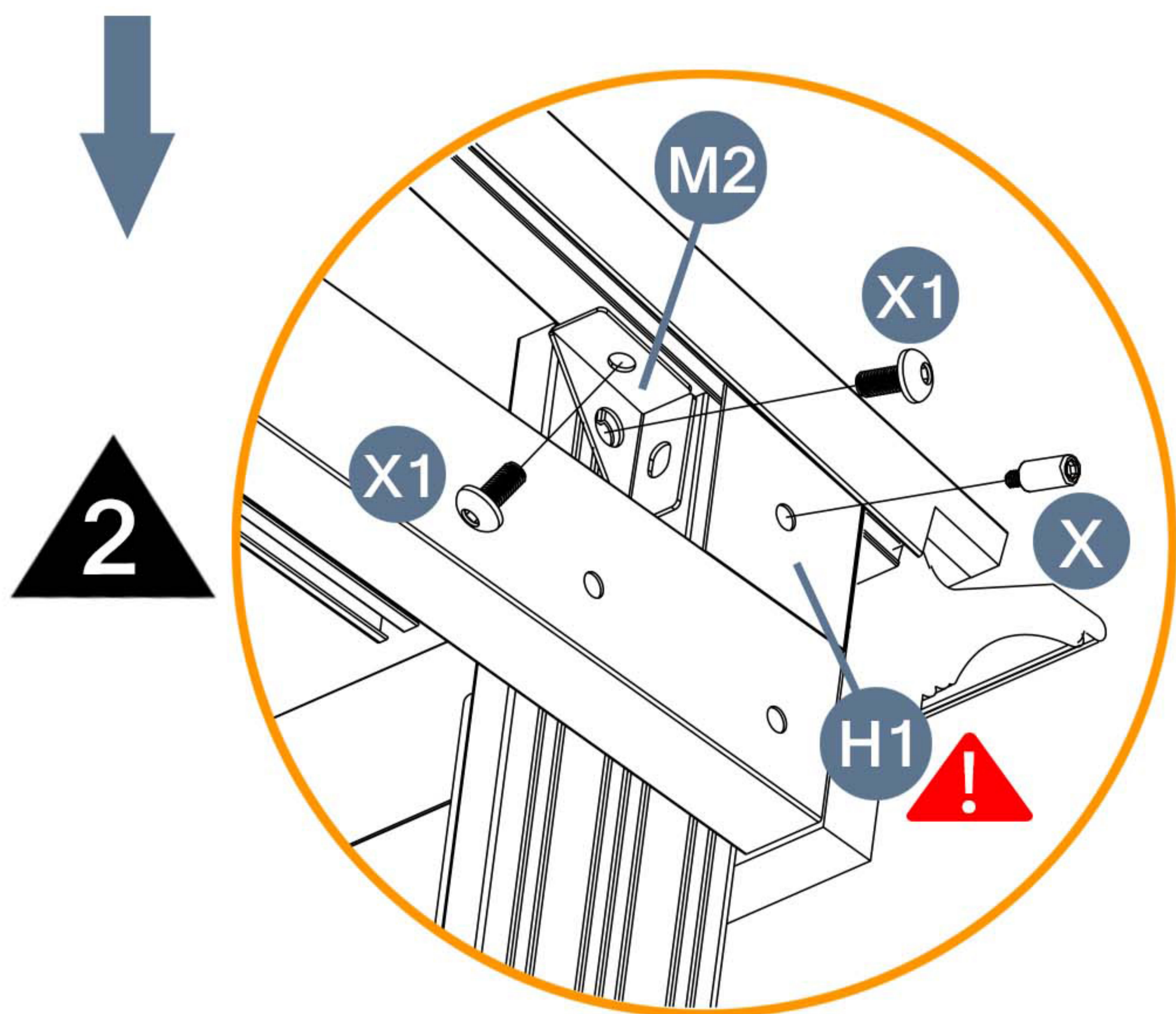
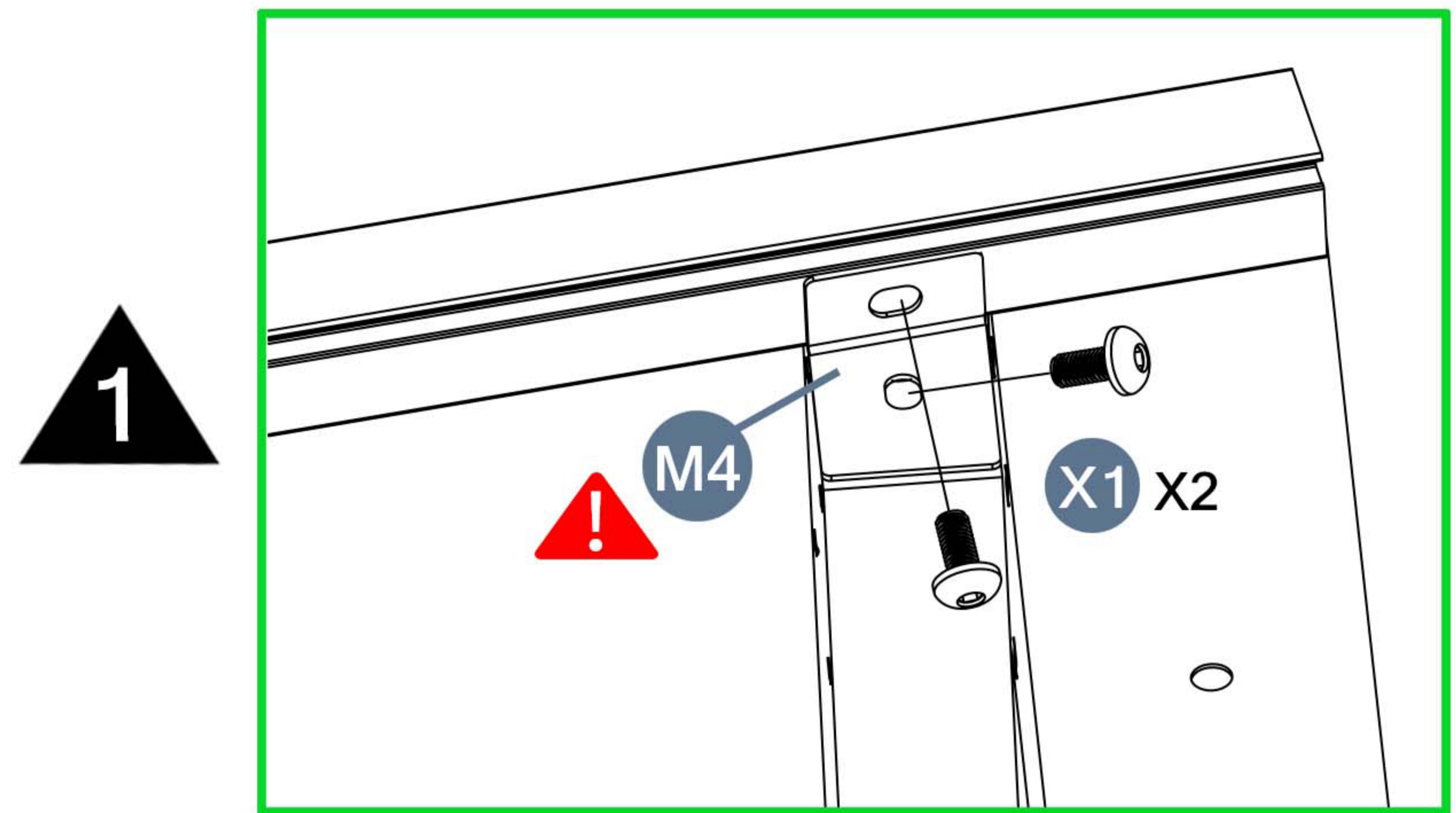
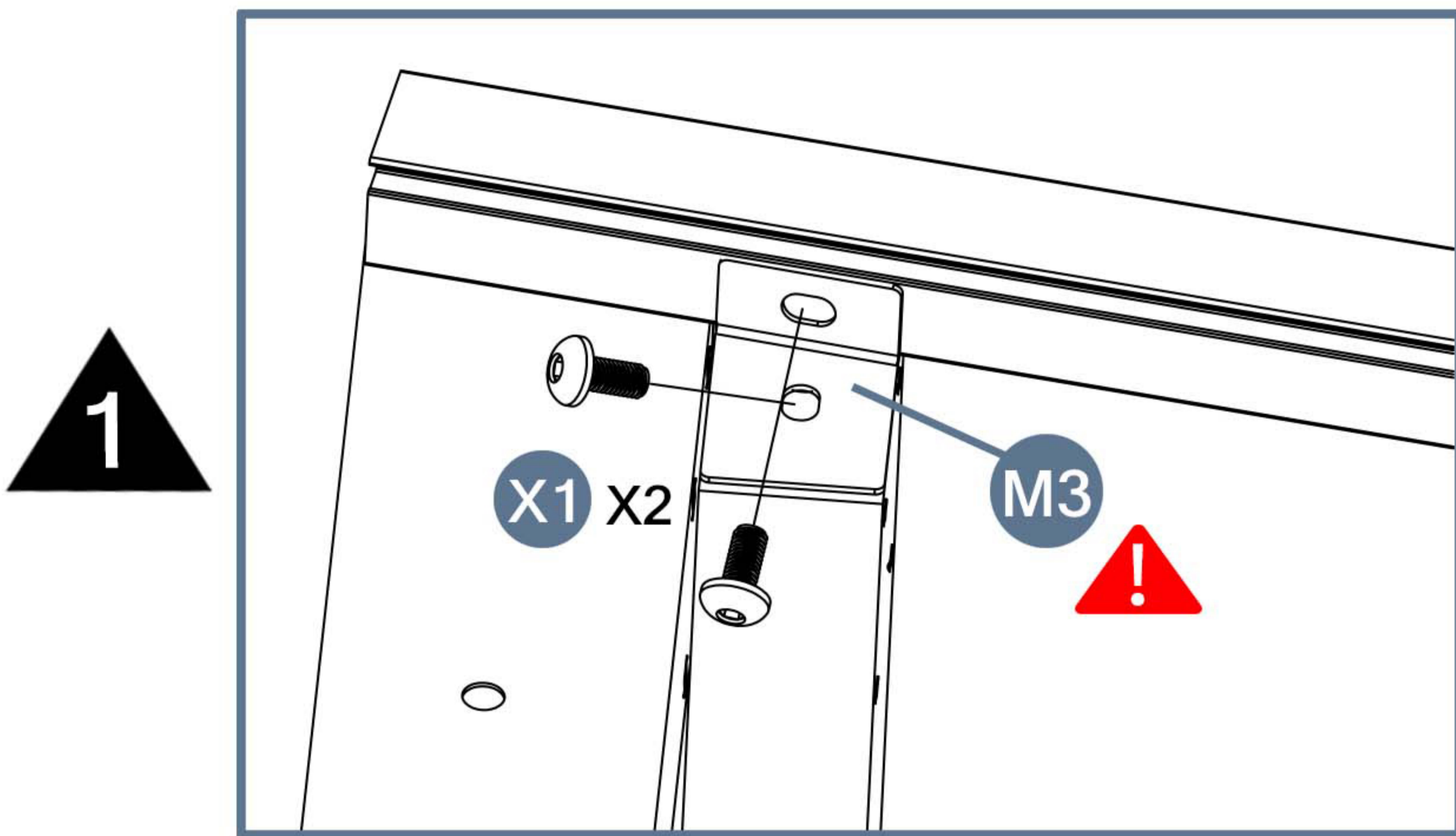


X1 8pcs

1 → 2



⚠ Attention! The difference between accessories and screws

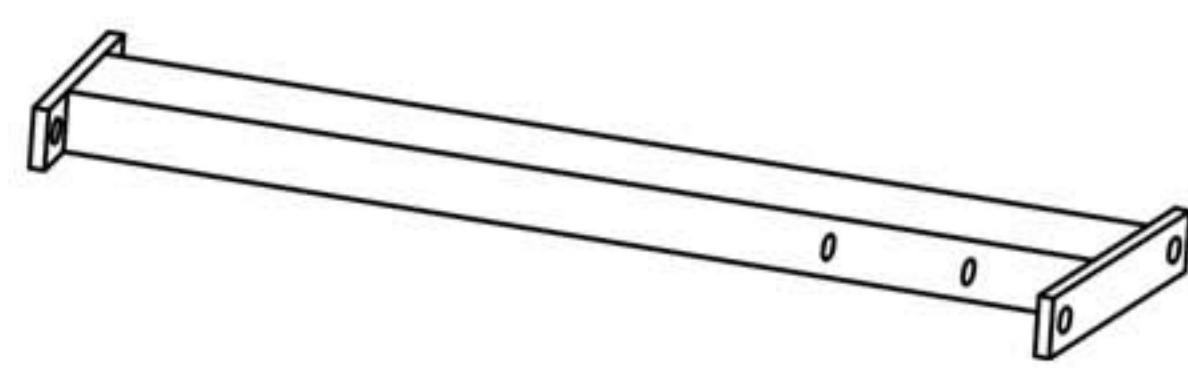


Please take care of the screws and contact the after-sales service if there is any problem with the installation or parts.

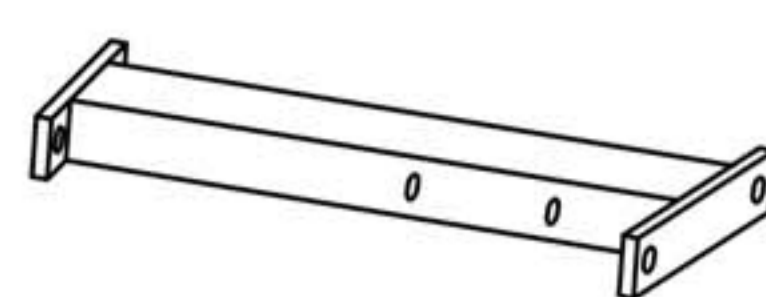
➔ ✉ E-mail: cs.helper01@gmail.com

STEP 14

Parts required



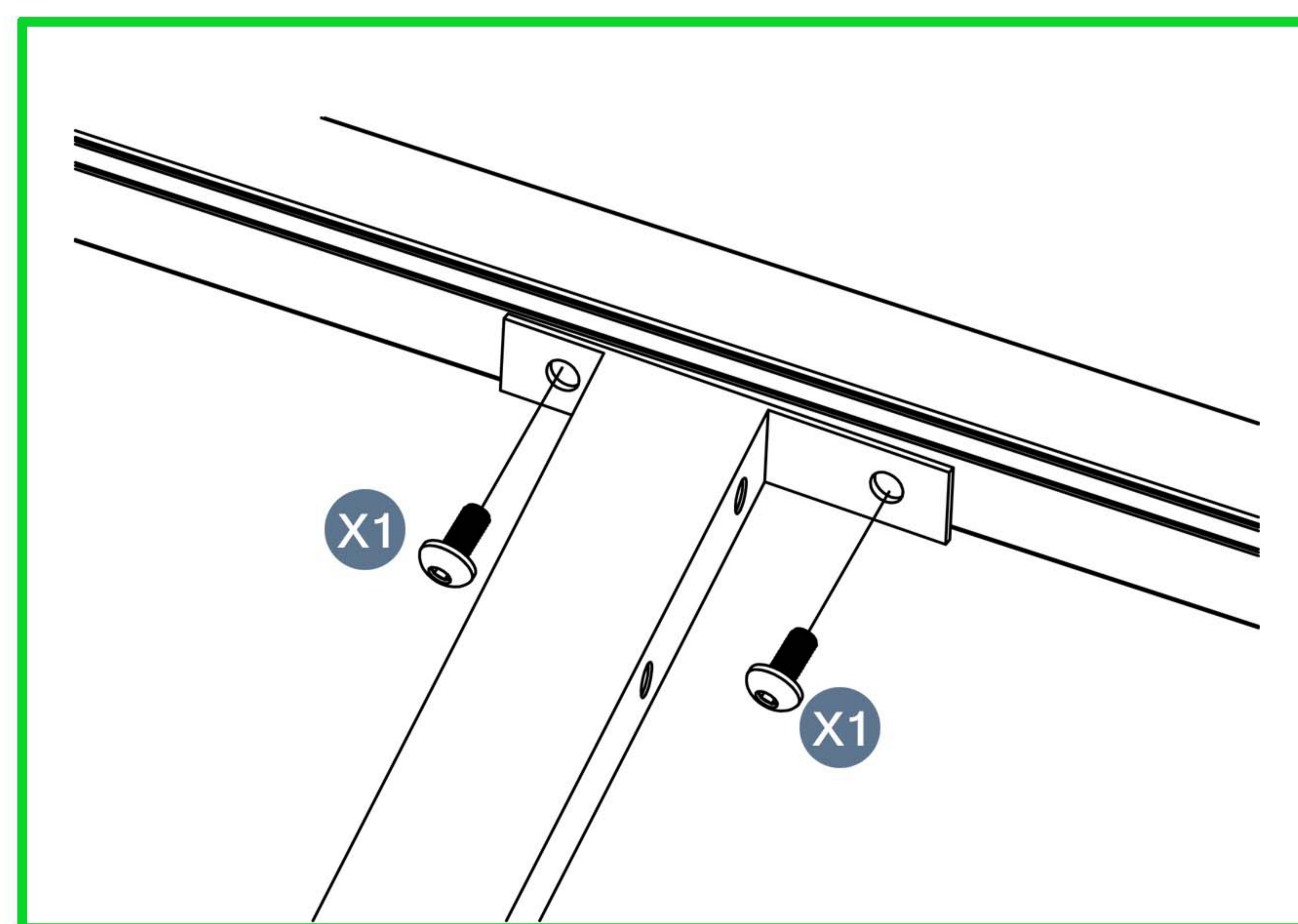
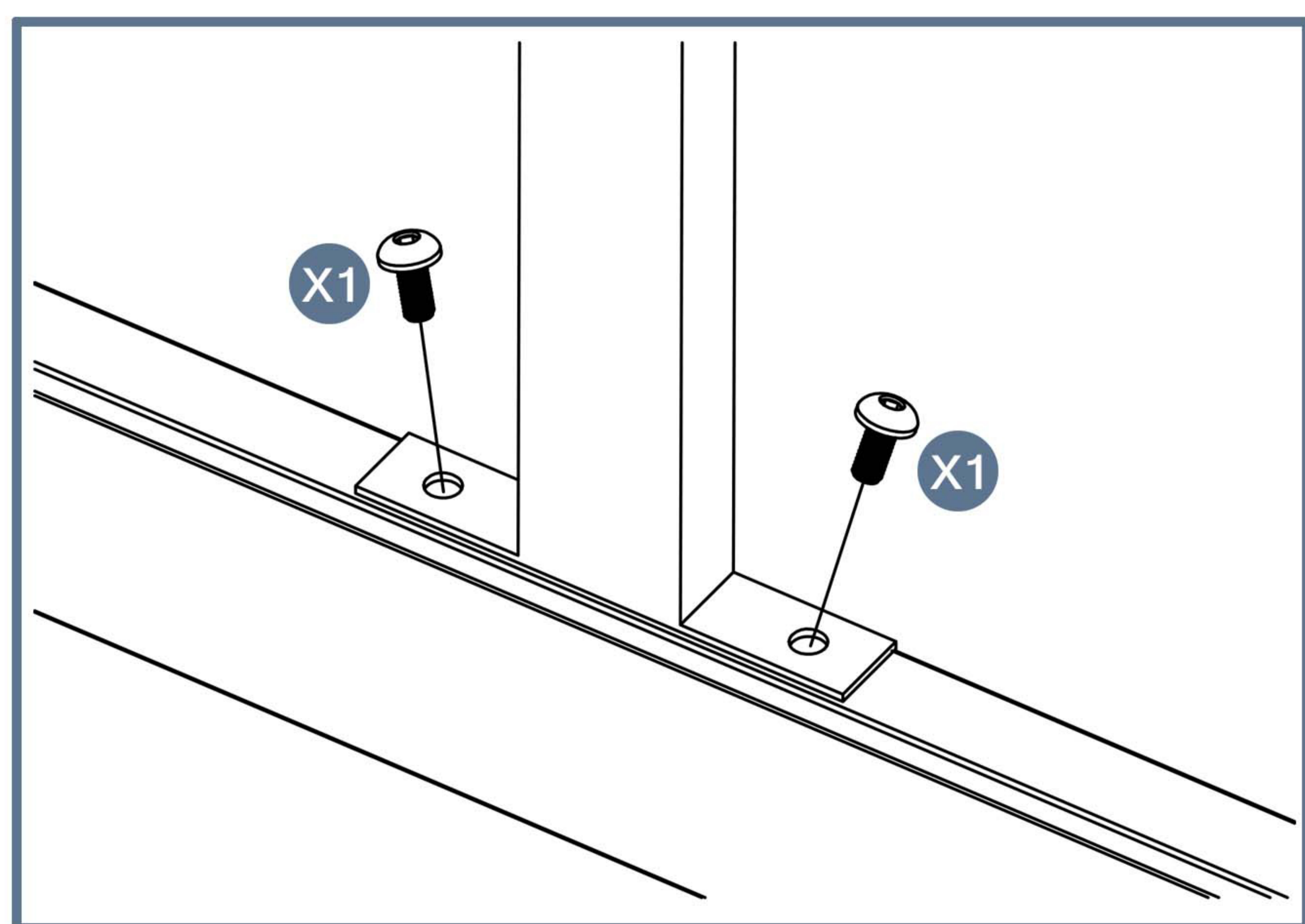
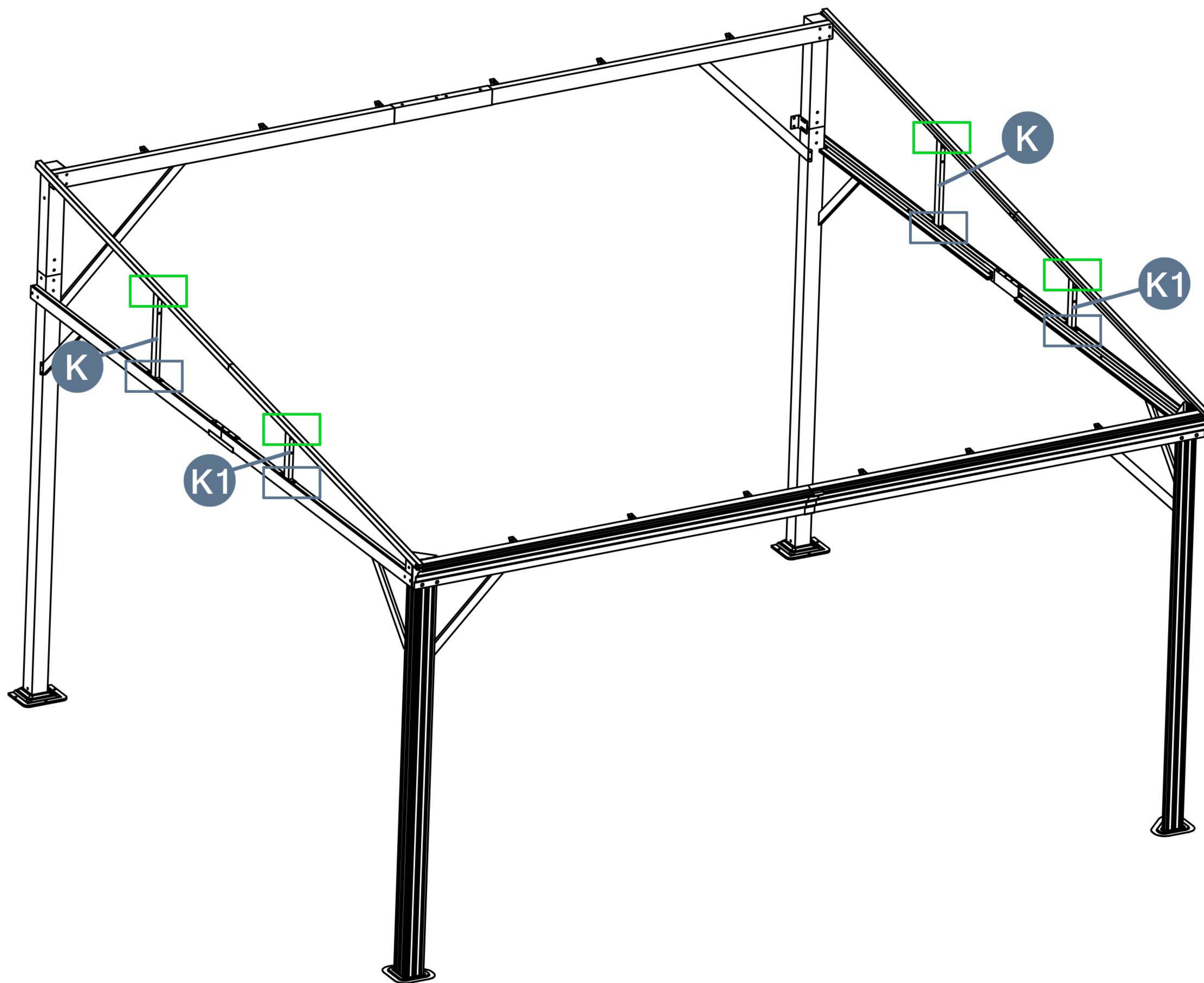
K 2pcs



K1 2pcs



X1 16pcs



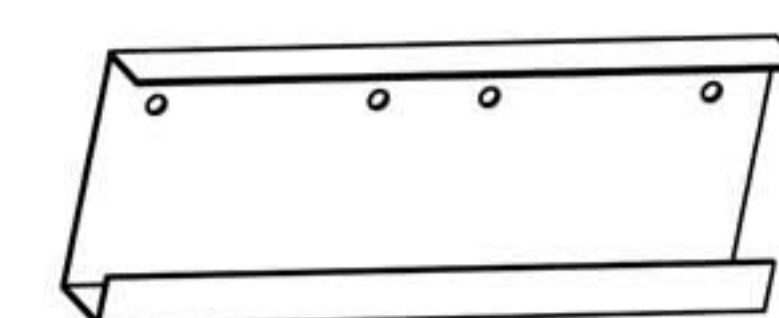
Please take care of the screws and contact the after-sales service if there is any problem with the installation or parts.

STEP 15

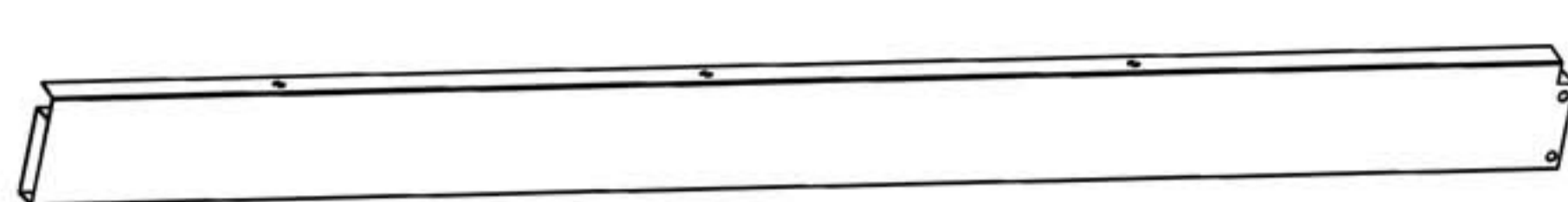
Parts required



C 2pcs



T2 2pcs

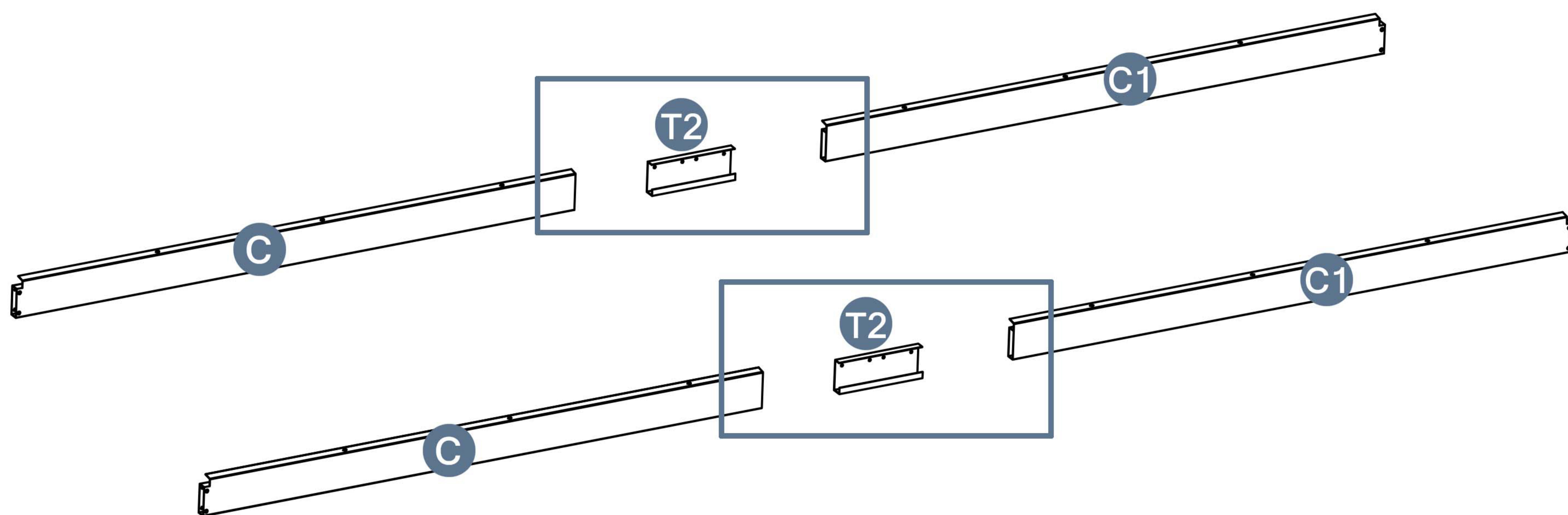


C1 2pcs

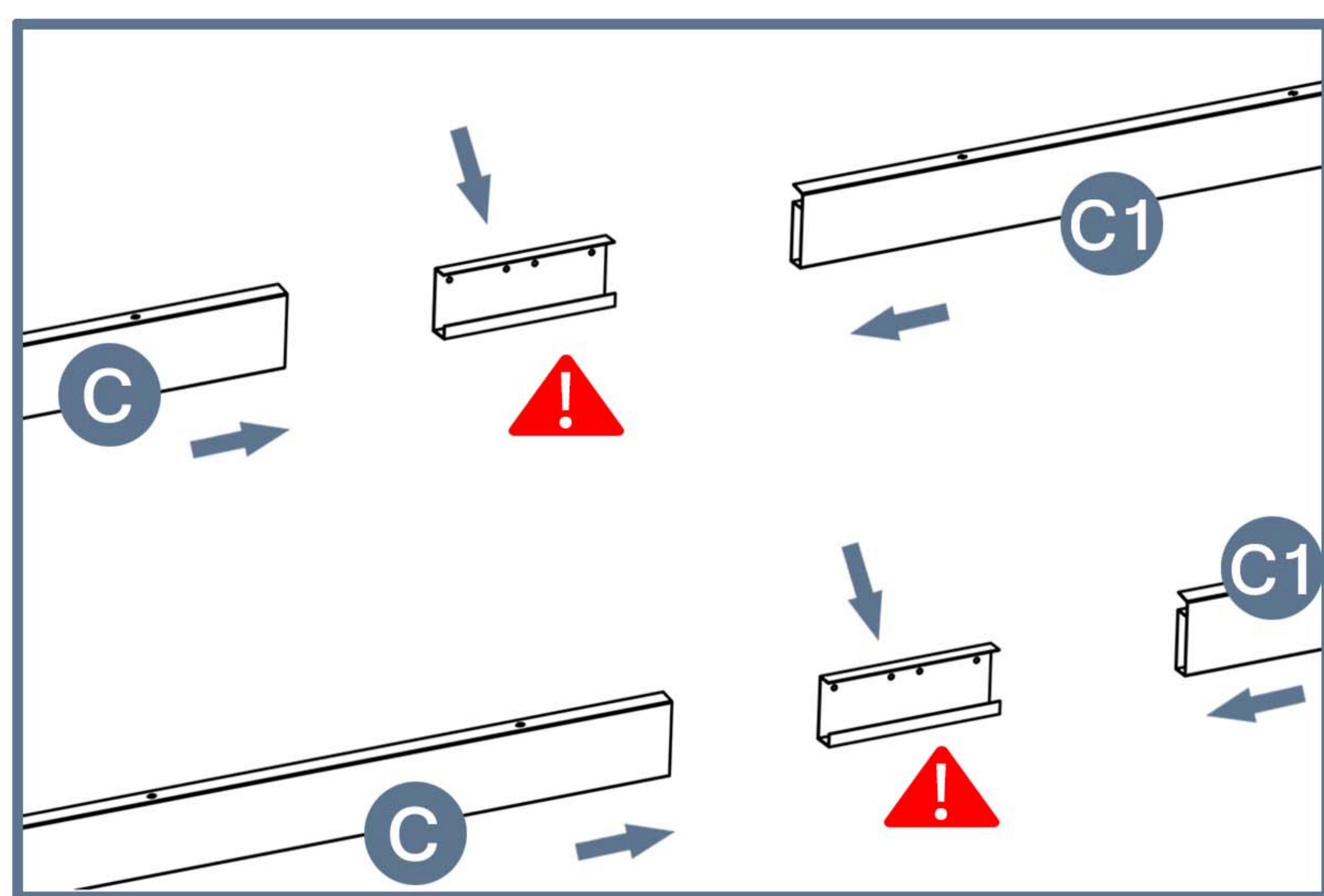


X1 16pcs

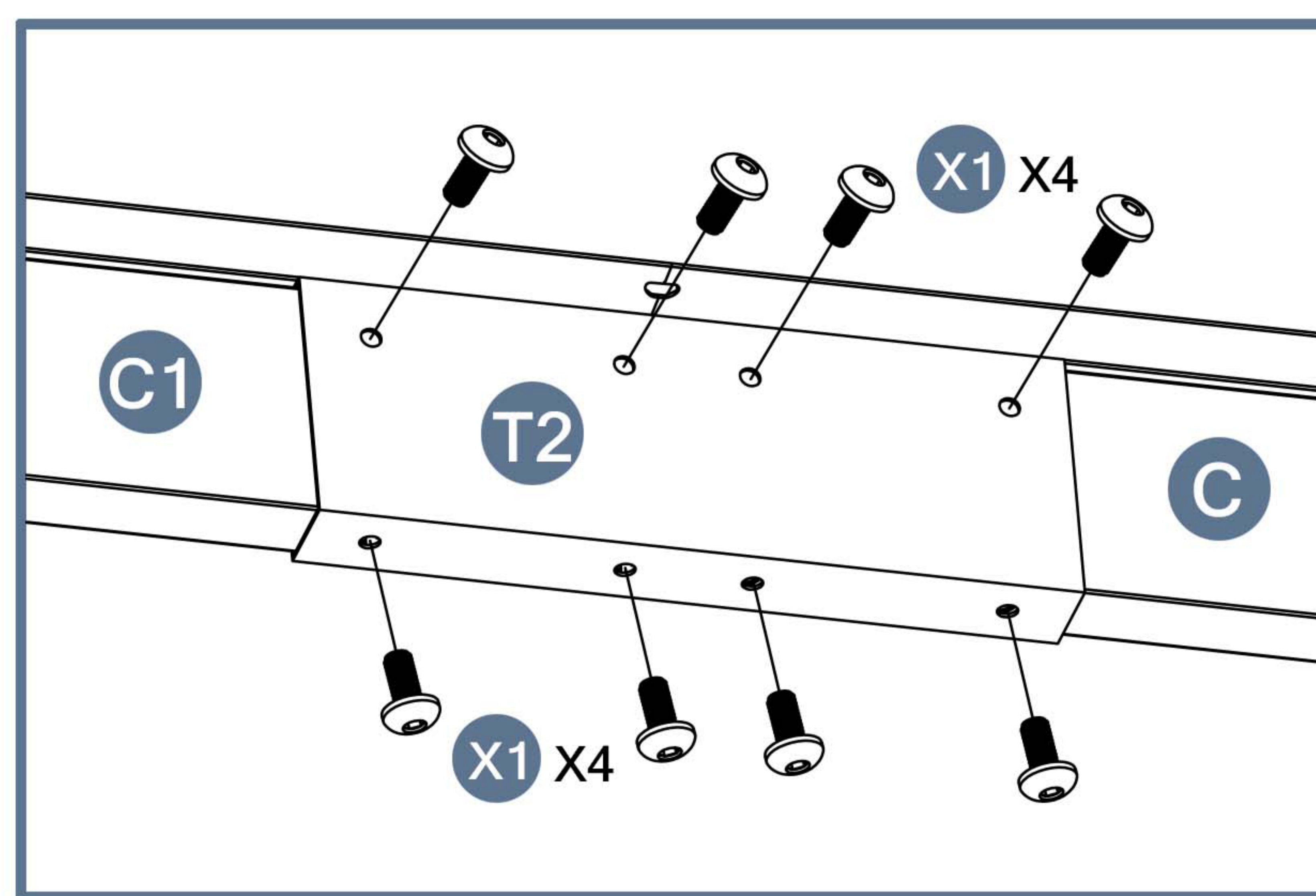
1 → 2



⚠ Pay attention to the direction of T2 and pipe.



1



2

Please take care of the screws and contact the after-sales service if there is any problem with the installation or parts.

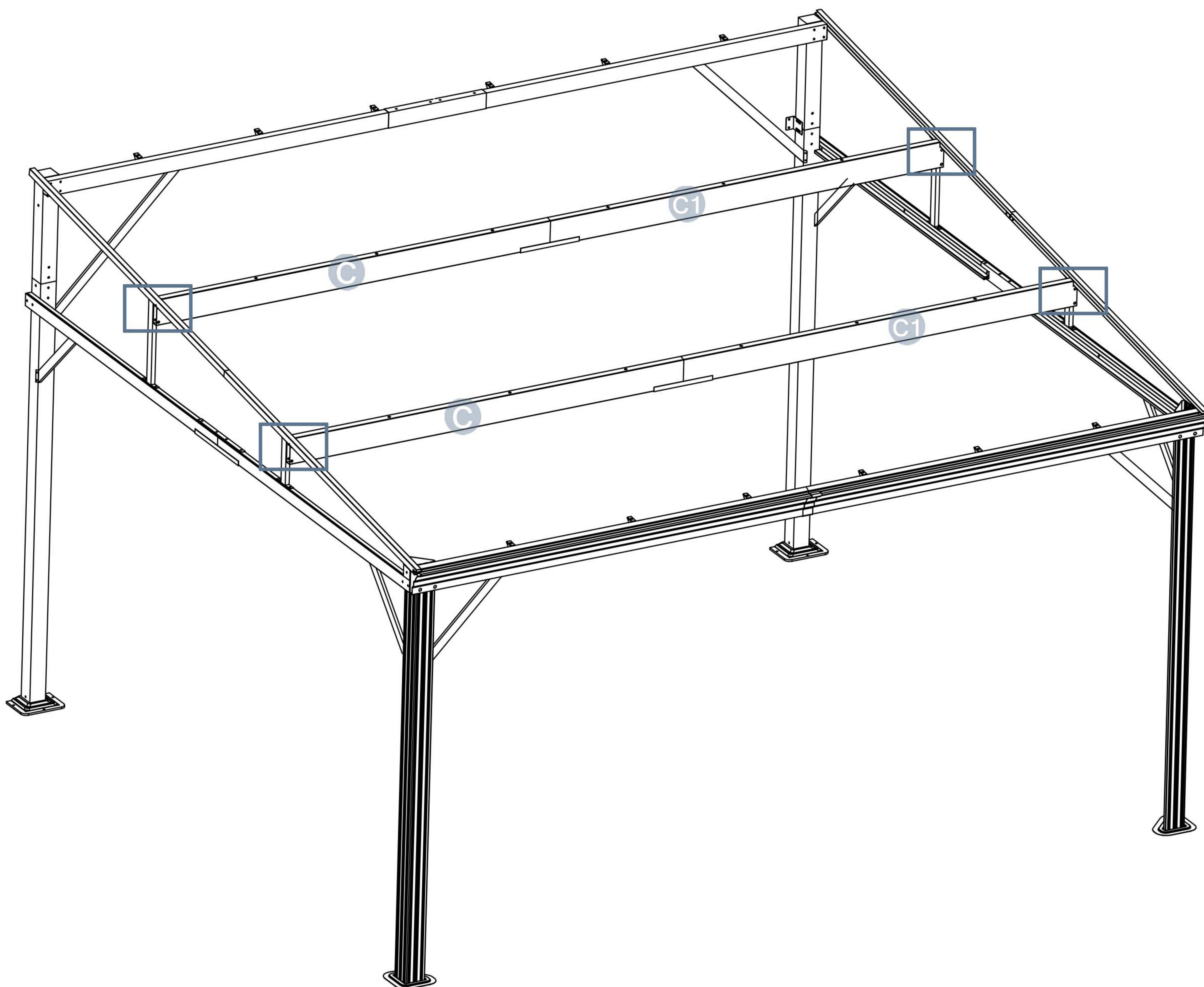
➔ ✉ E-mail: cs.helper01@gmail.com

STEP 16

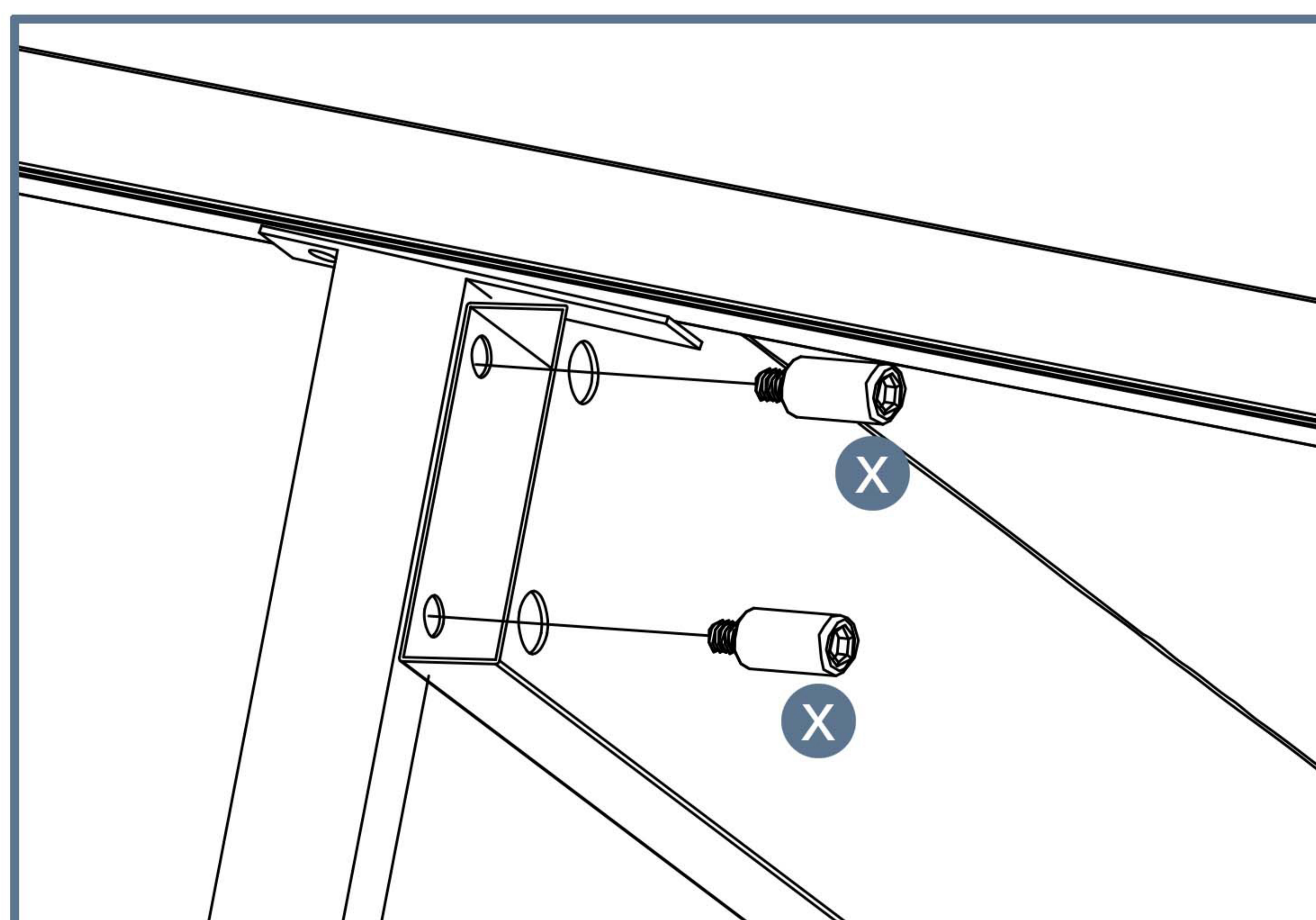
Parts required



X 8pcs



Install steps 15 on the bracket

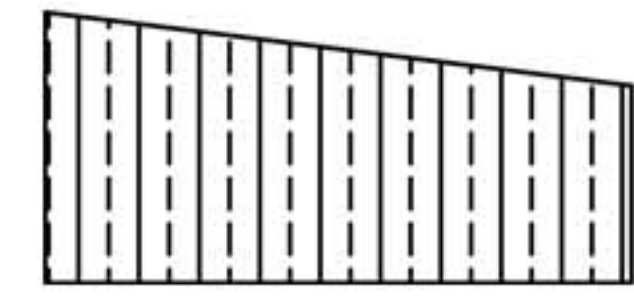


Please take care of the screws and contact the after-sales service if there is any problem with the installation or parts.

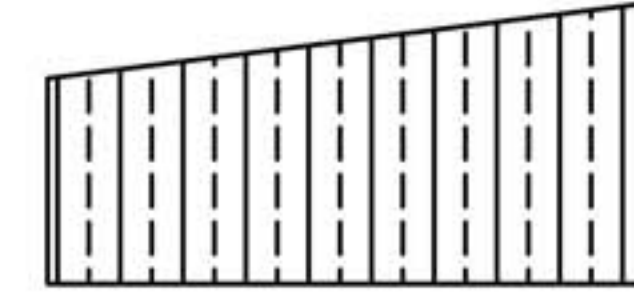


STEP 17

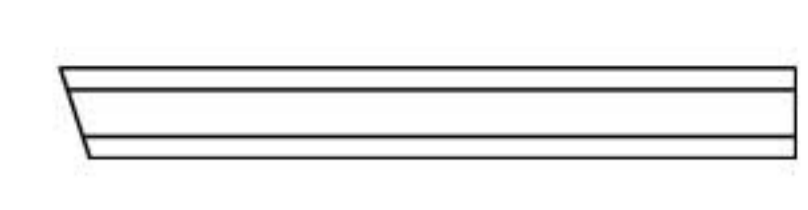
Parts required



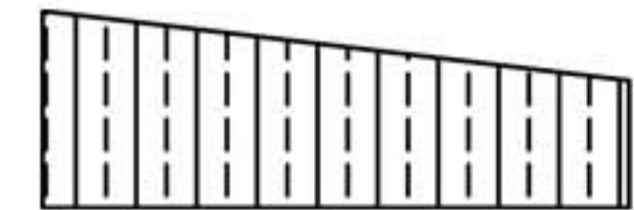
Y1 1pcs



Y4 1pcs



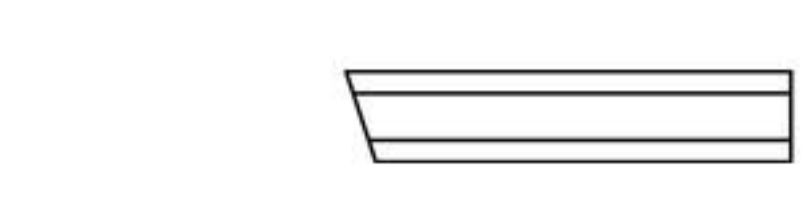
I1 1pcs



Y2 1pcs



Y5 1pcs



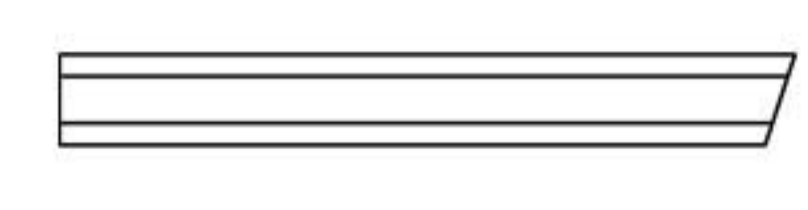
I2 1pcs



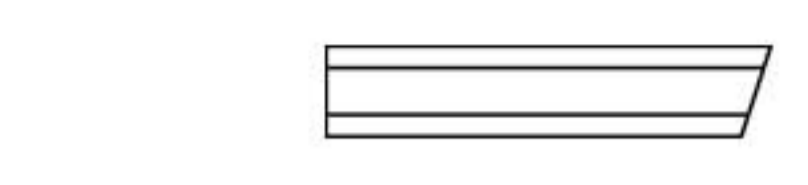
Y3 1pcs



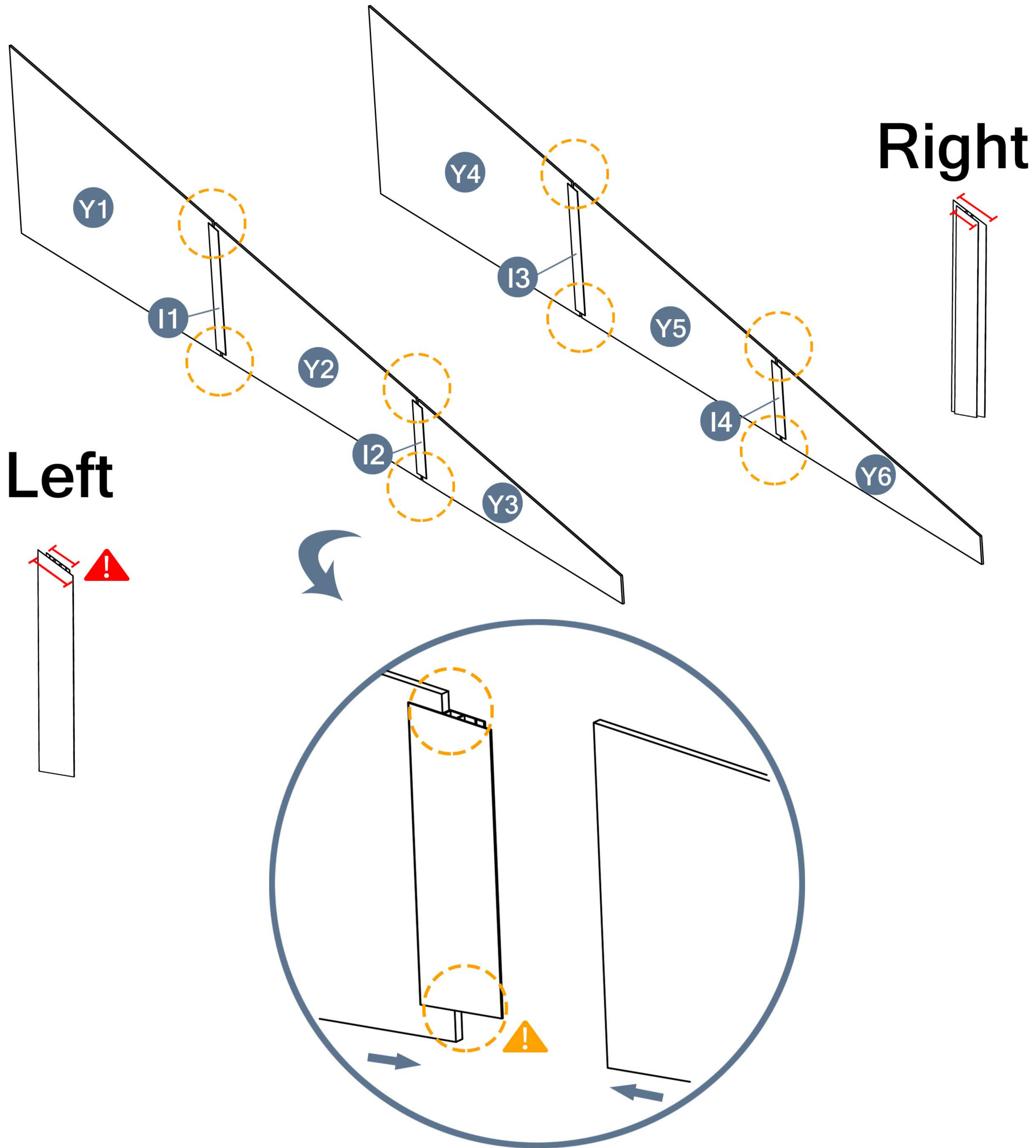
Y6 1pcs





I3 1pcs



I4 1pcs



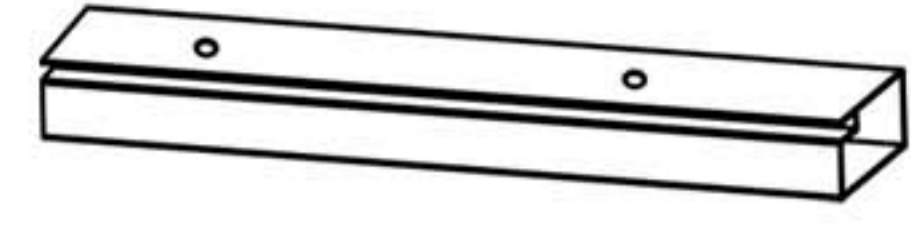
-  Insert the pc board into the tube slot. Attention! The wide side of I1/I2/I3 and I4 is outward.
-  Note that the yellow circle should be left blank.

Please take care of the screws and contact the after-sales service if there is any problem with the installation or parts.

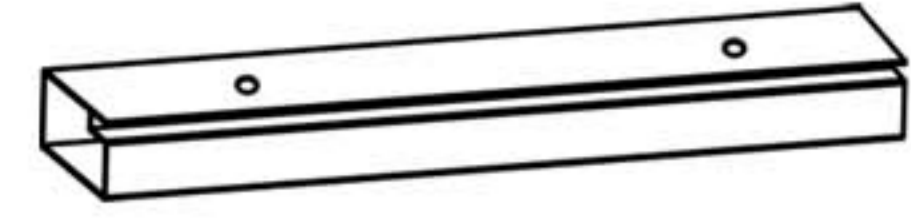
➔  E-mail: cs.helper01@gmail.com

STEP 18

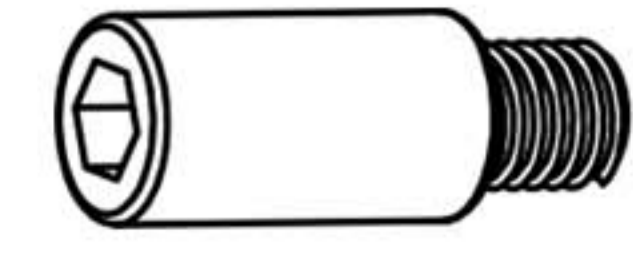
Parts required



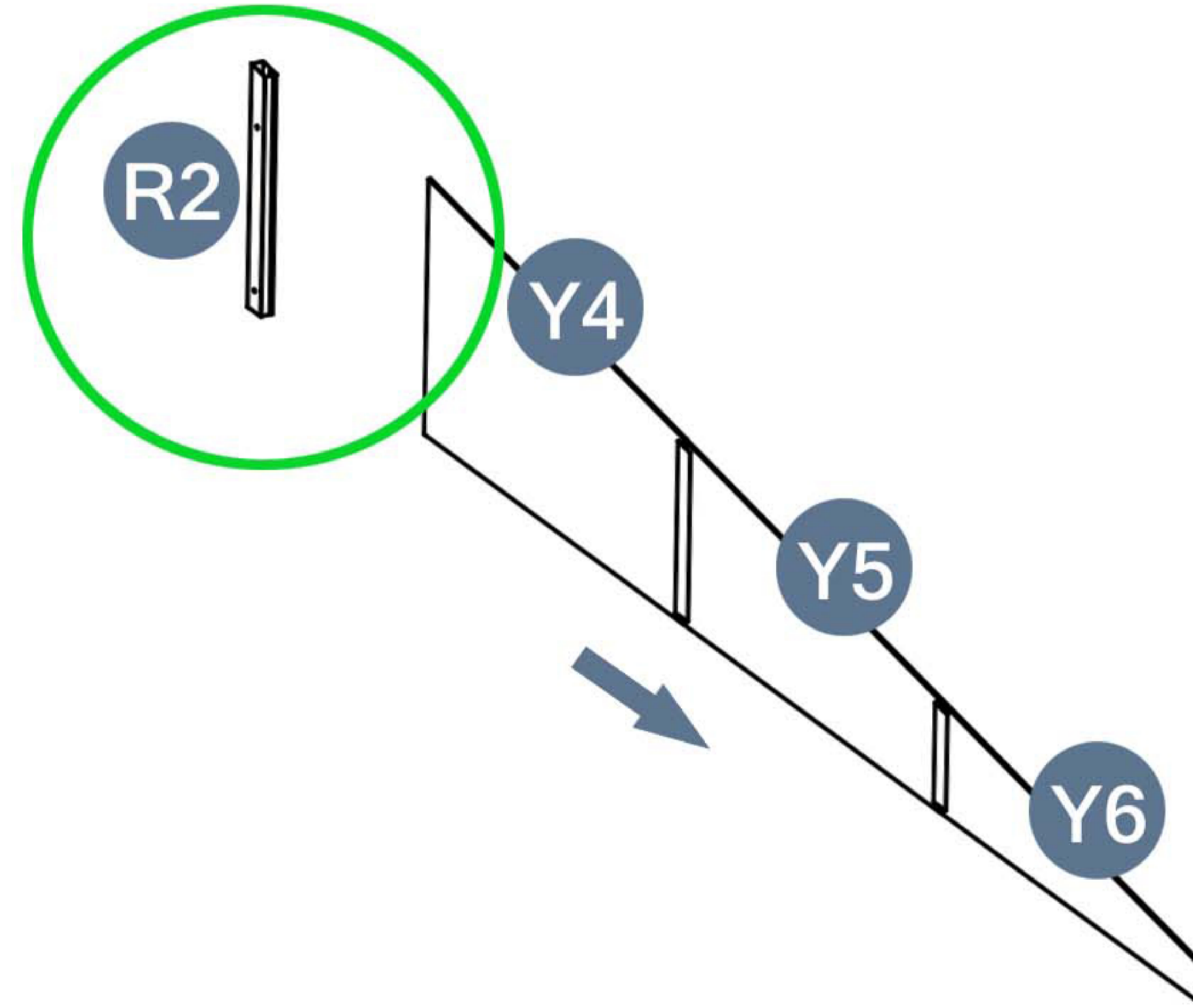
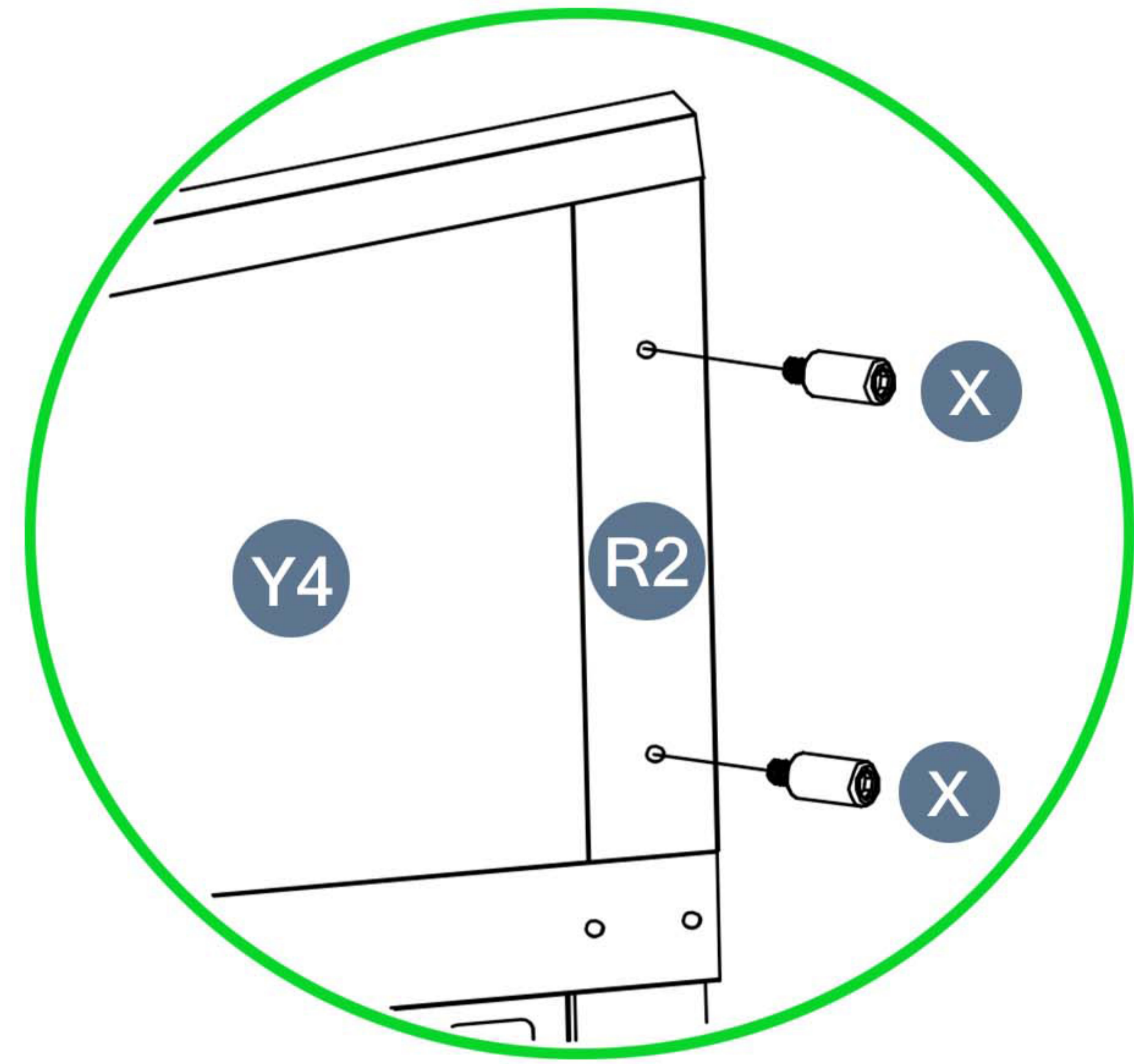
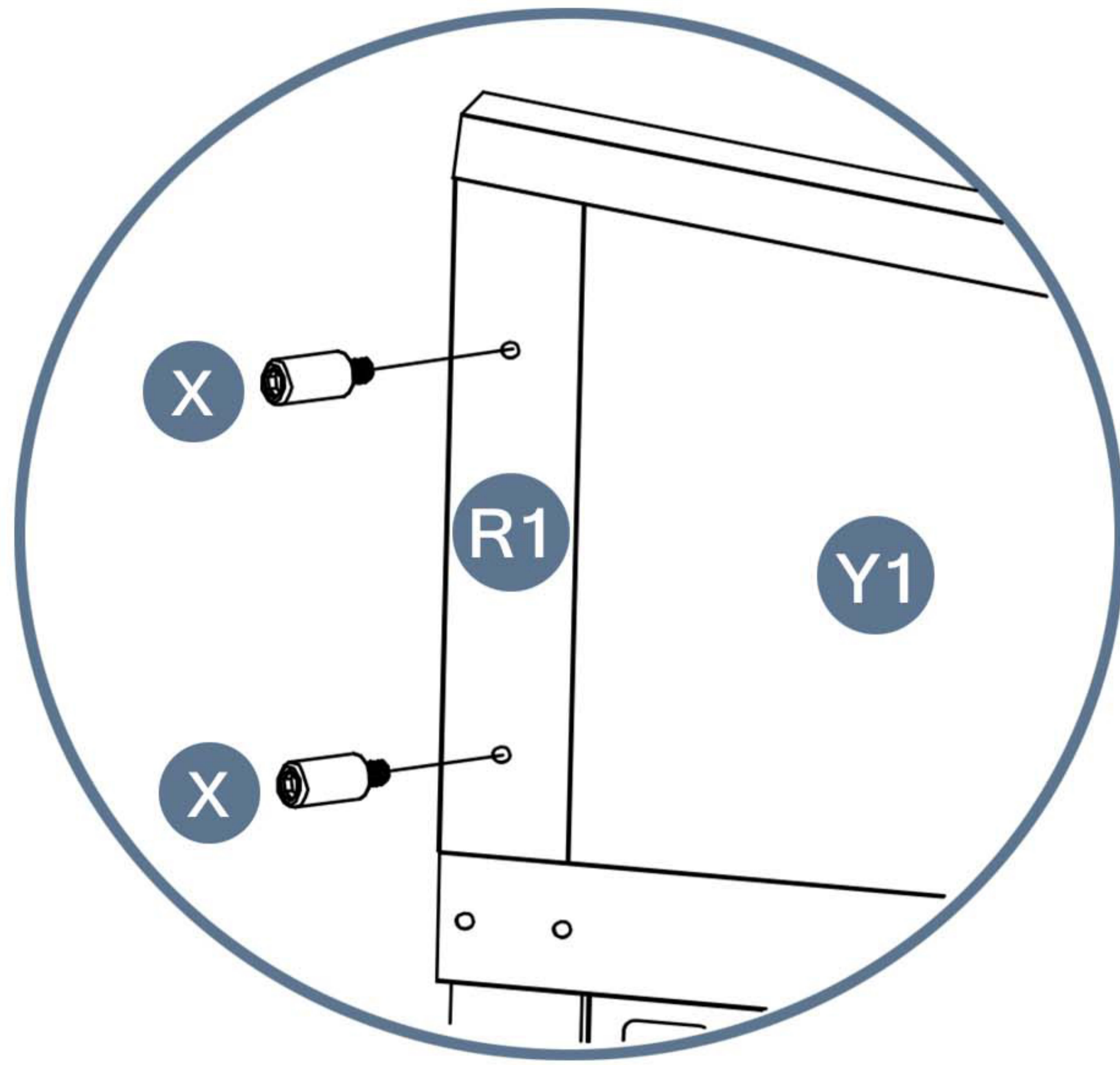
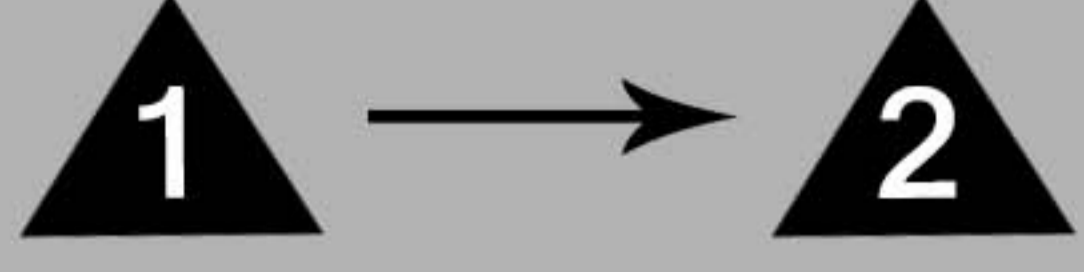
R1 1pcs



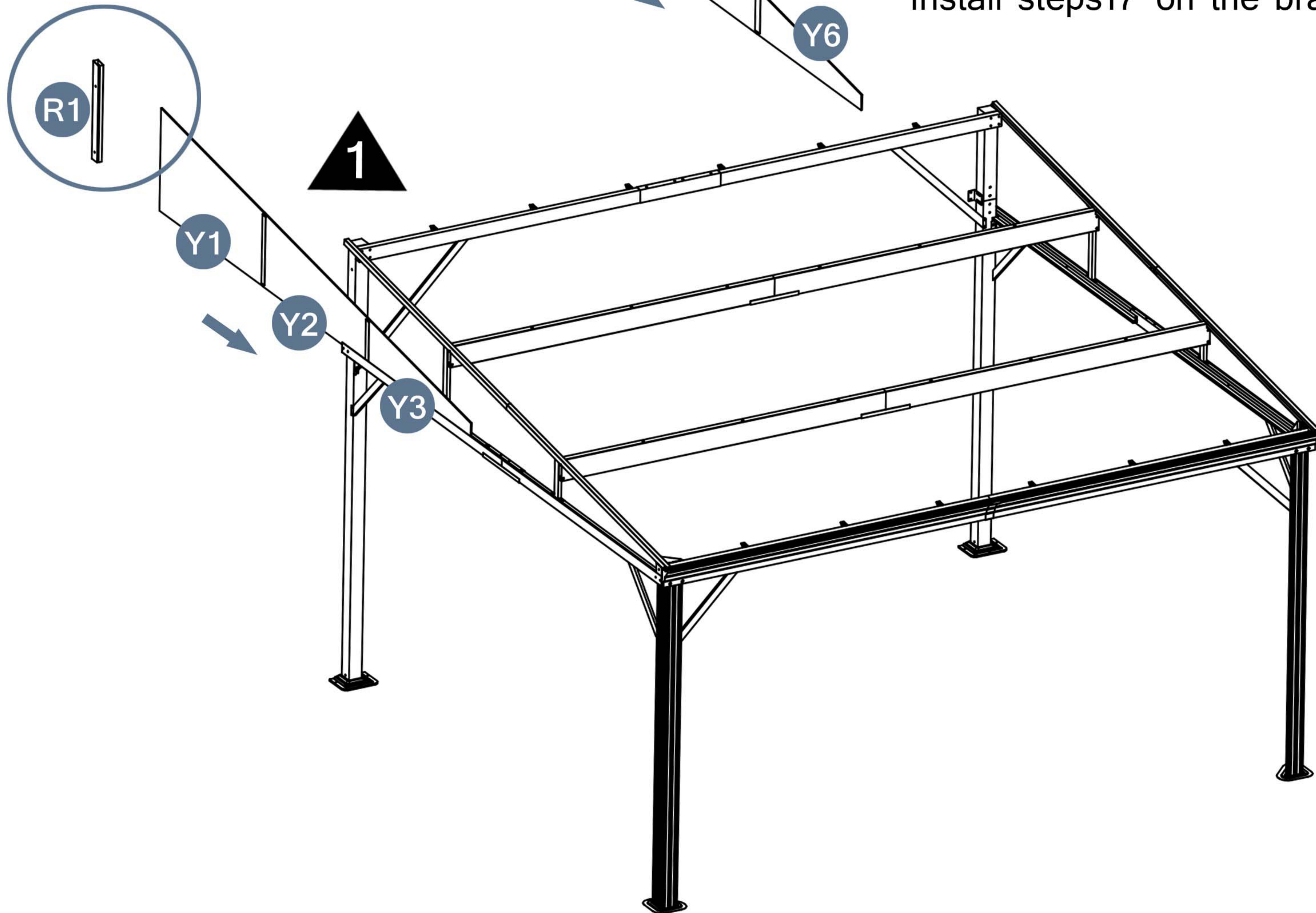
R2 1pcs



X 4pcs




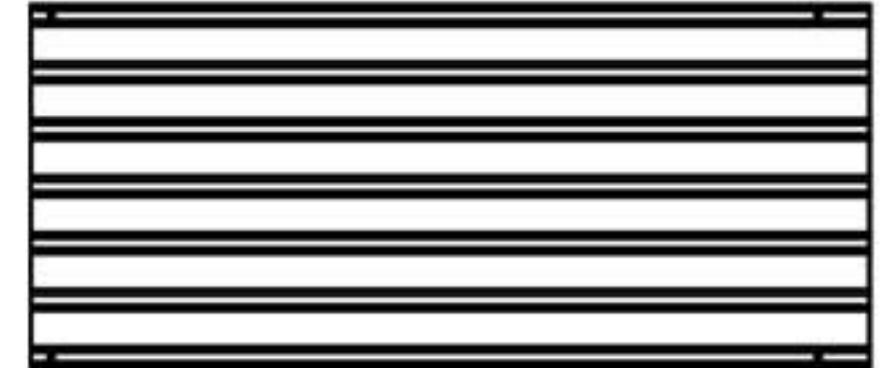



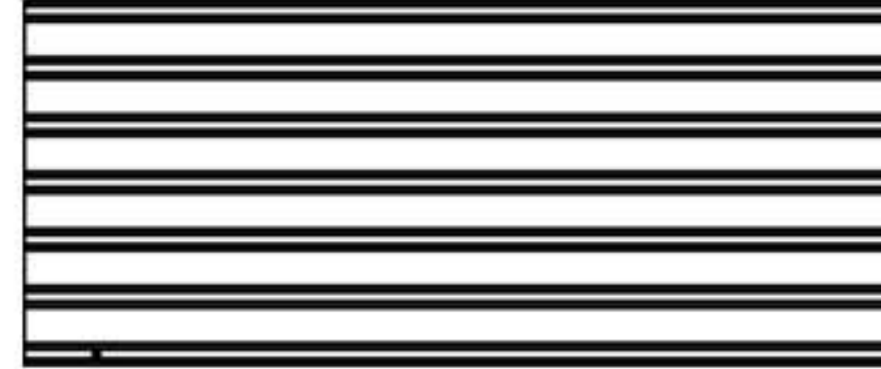

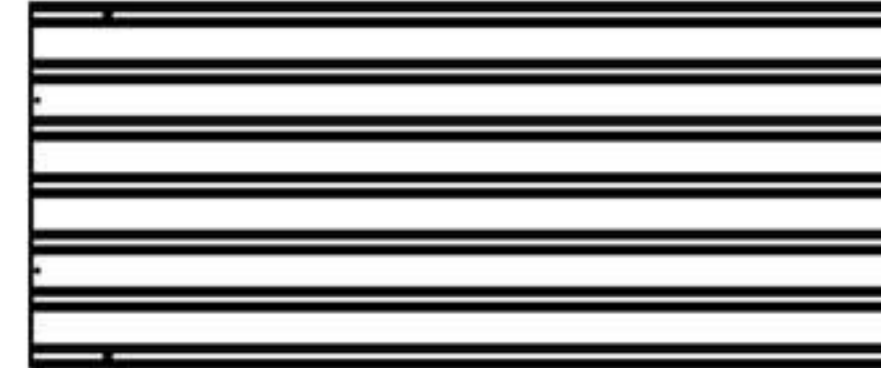

Install steps17 on the bracket



Please take care of the screws and contact the after-sales service if there is any problem with the installation or parts.

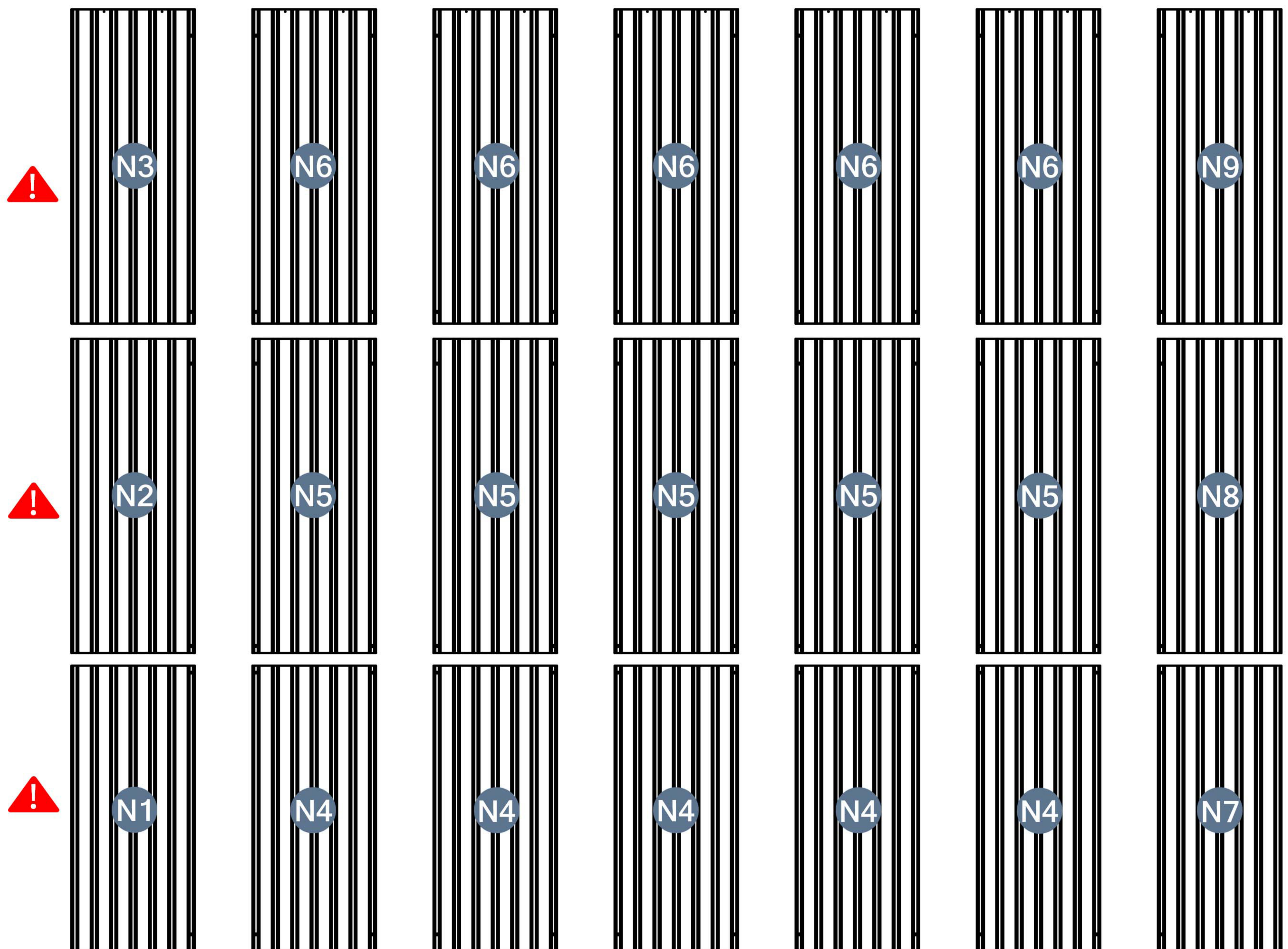
STEP 19

Parts required

	N1 1pcs		N4 5pcs		N7 1pcs
	N2 1pcs		N5 5pcs		N8 1pcs
	N3 1pcs		N6 5pcs		N9 1pcs

 Attention! Different coding

For the convenience of installation, please arrange them in order.

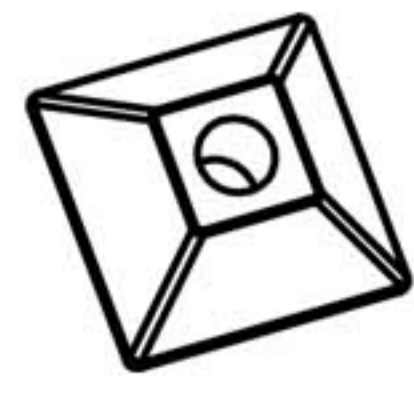


Please take care of the screws and contact the after-sales service if there is any problem with the installation or parts.

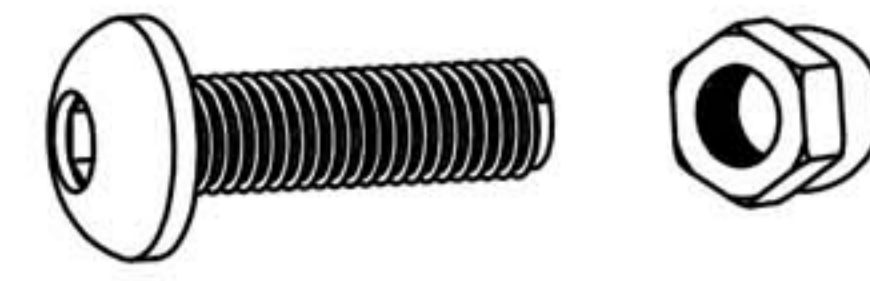
  E-mail: cs.helper01@gmail.com

STEP20

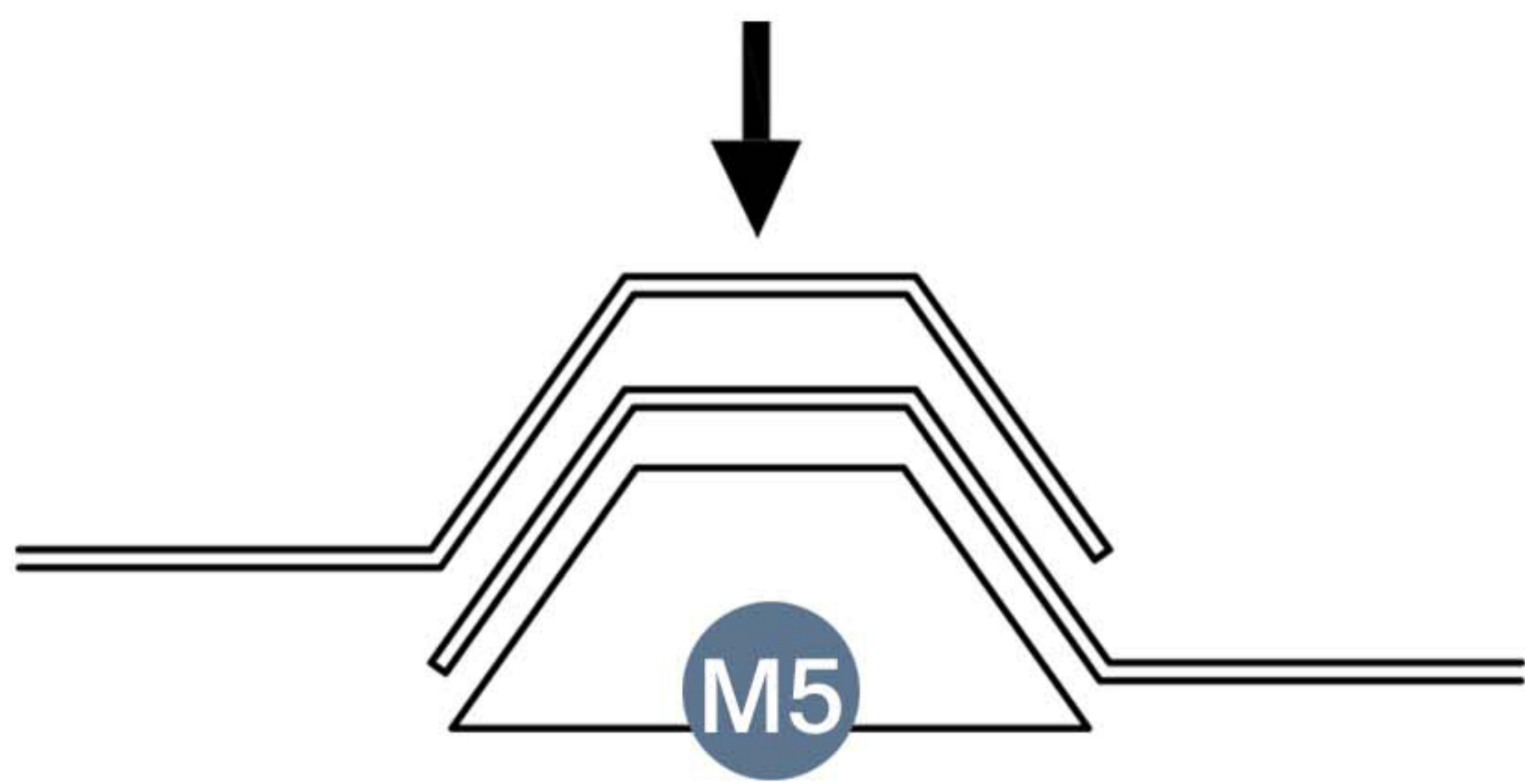
Parts required



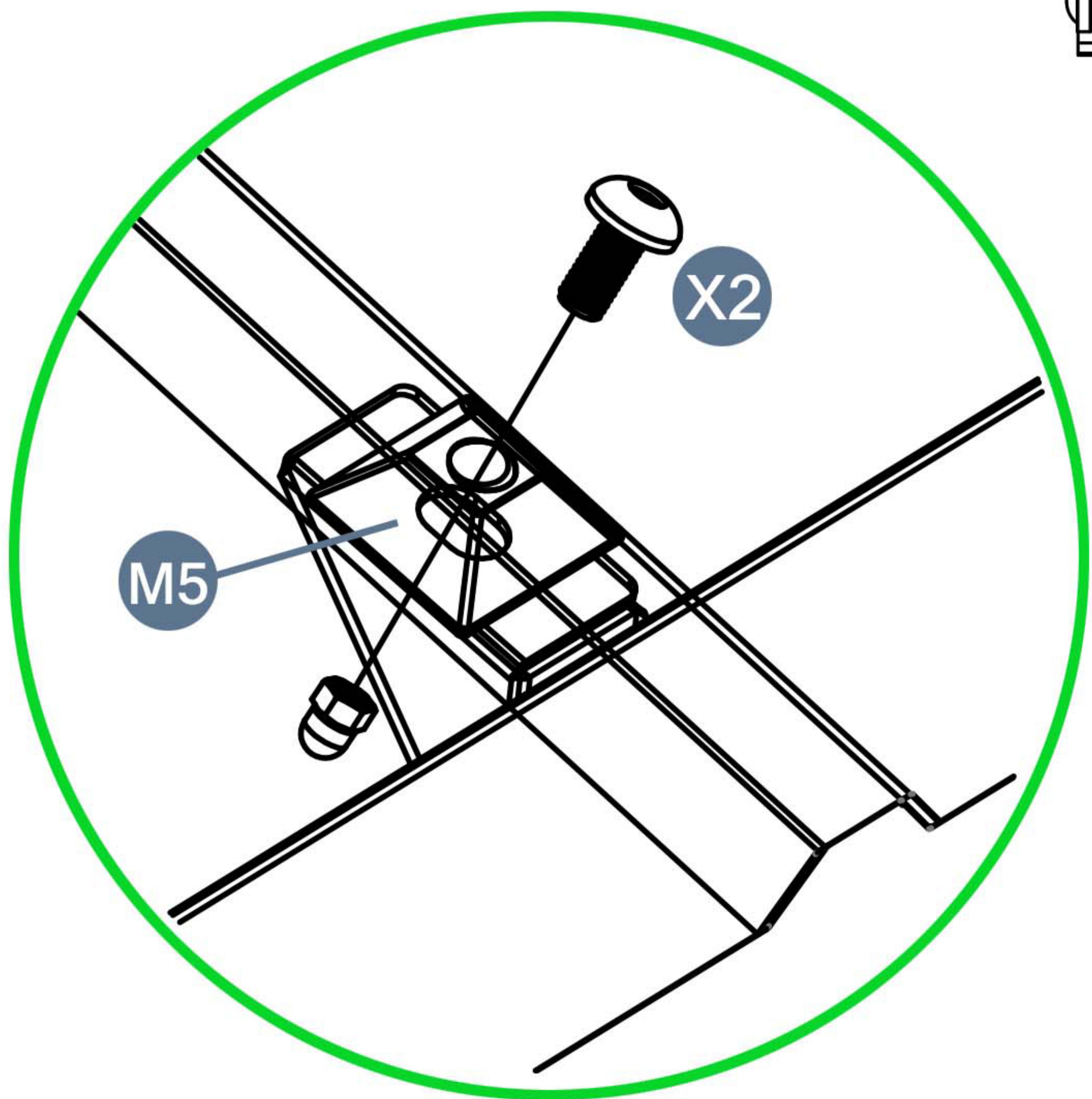
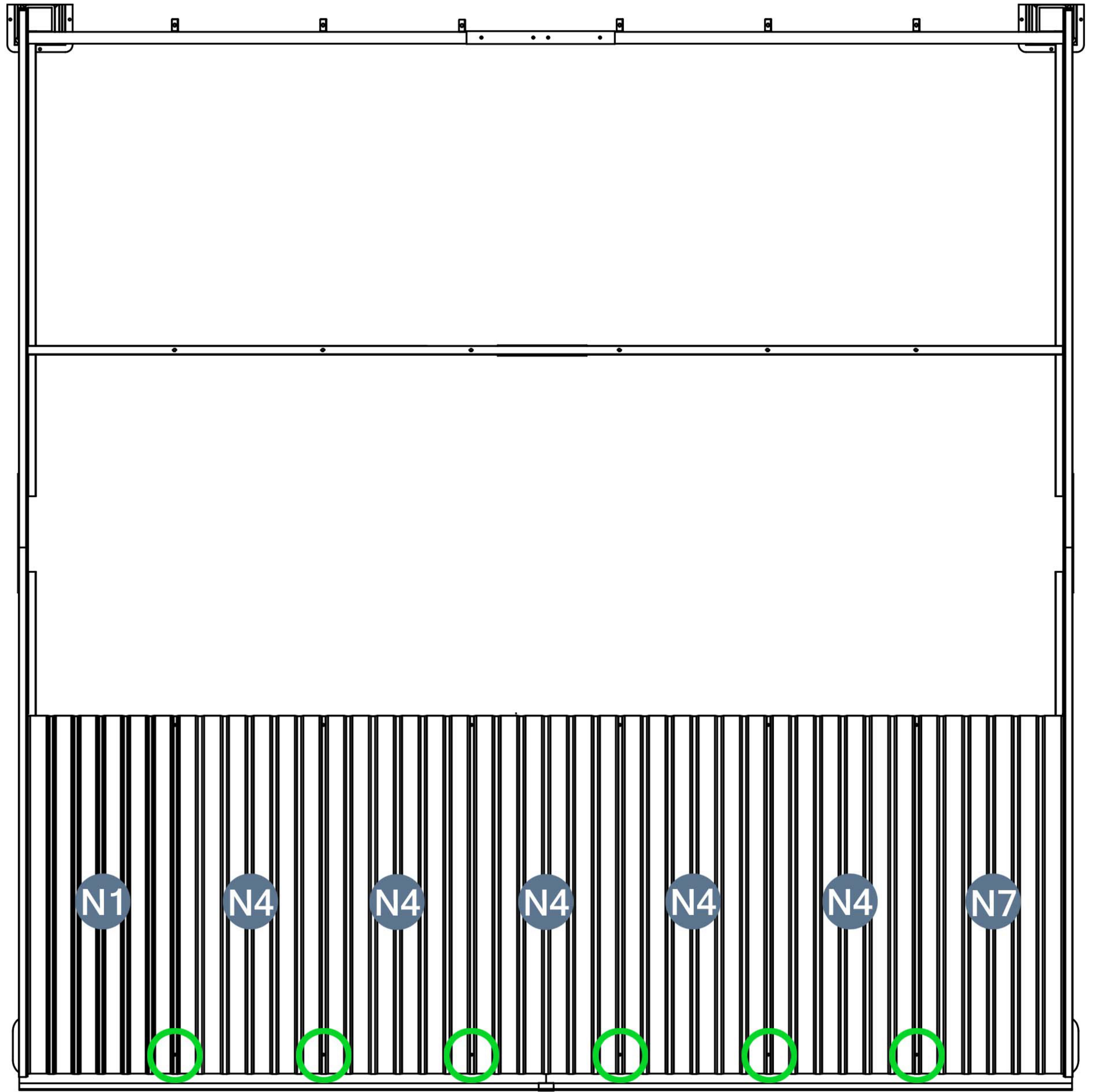
M5 6pcs



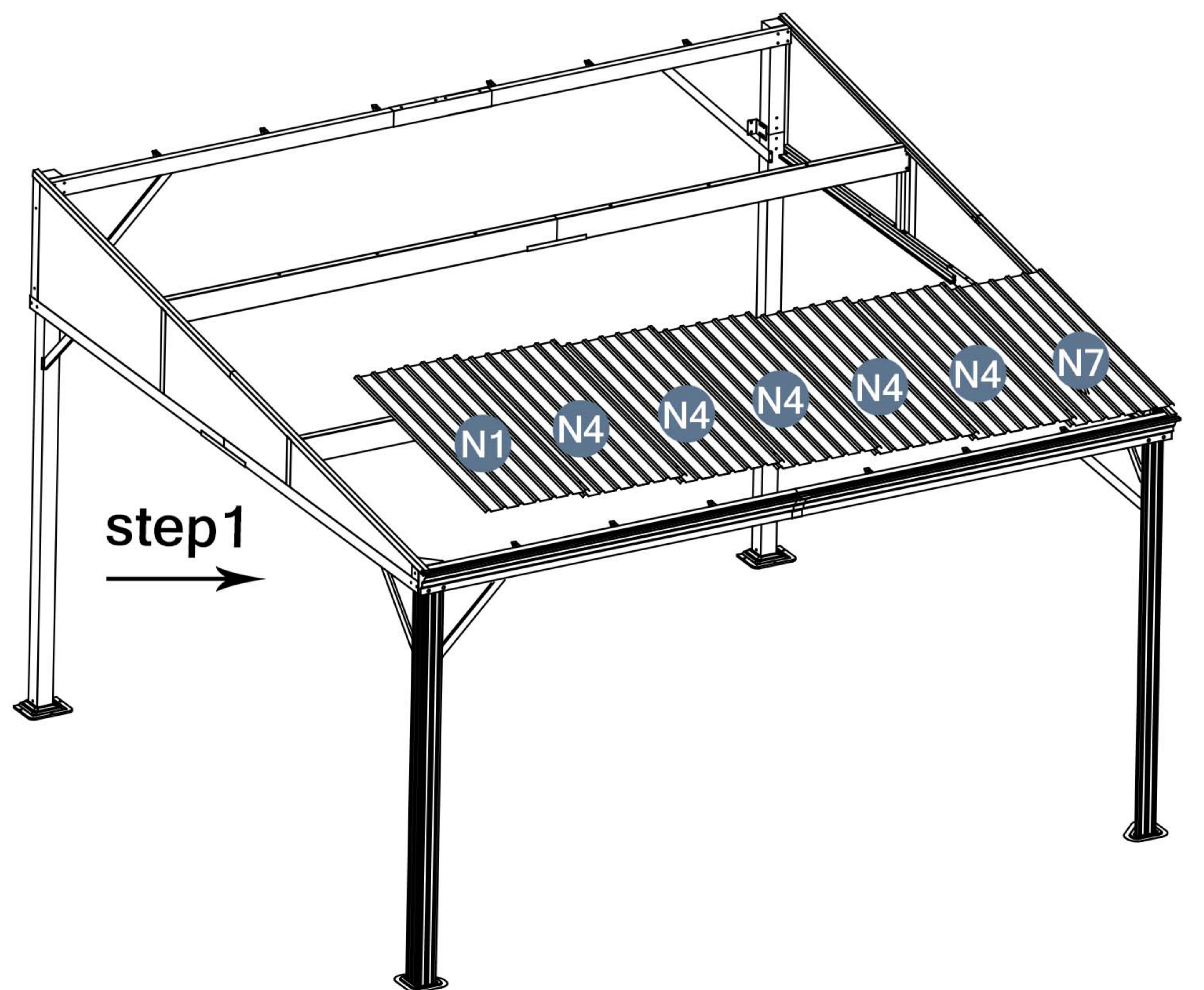
X2 6pcs



• Side view



• Perspective diagram

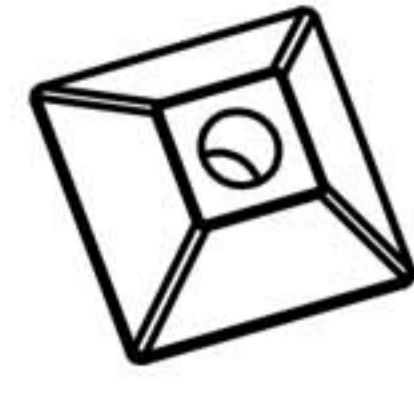


Please take care of the screws and contact the after-sales service if there is any problem with the installation or parts.

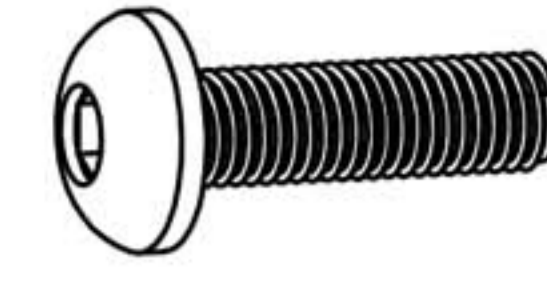


STEP 21

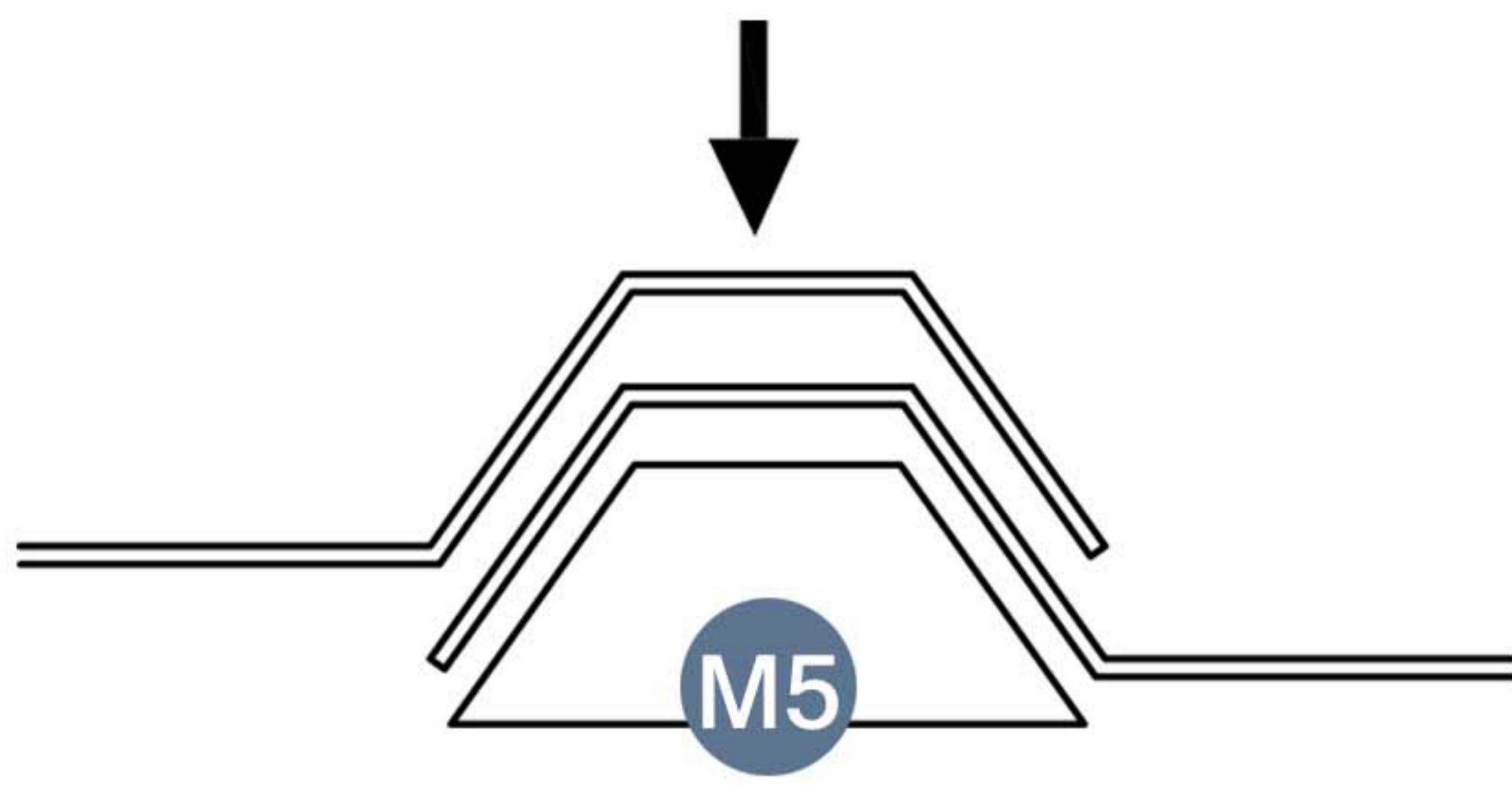
Parts required



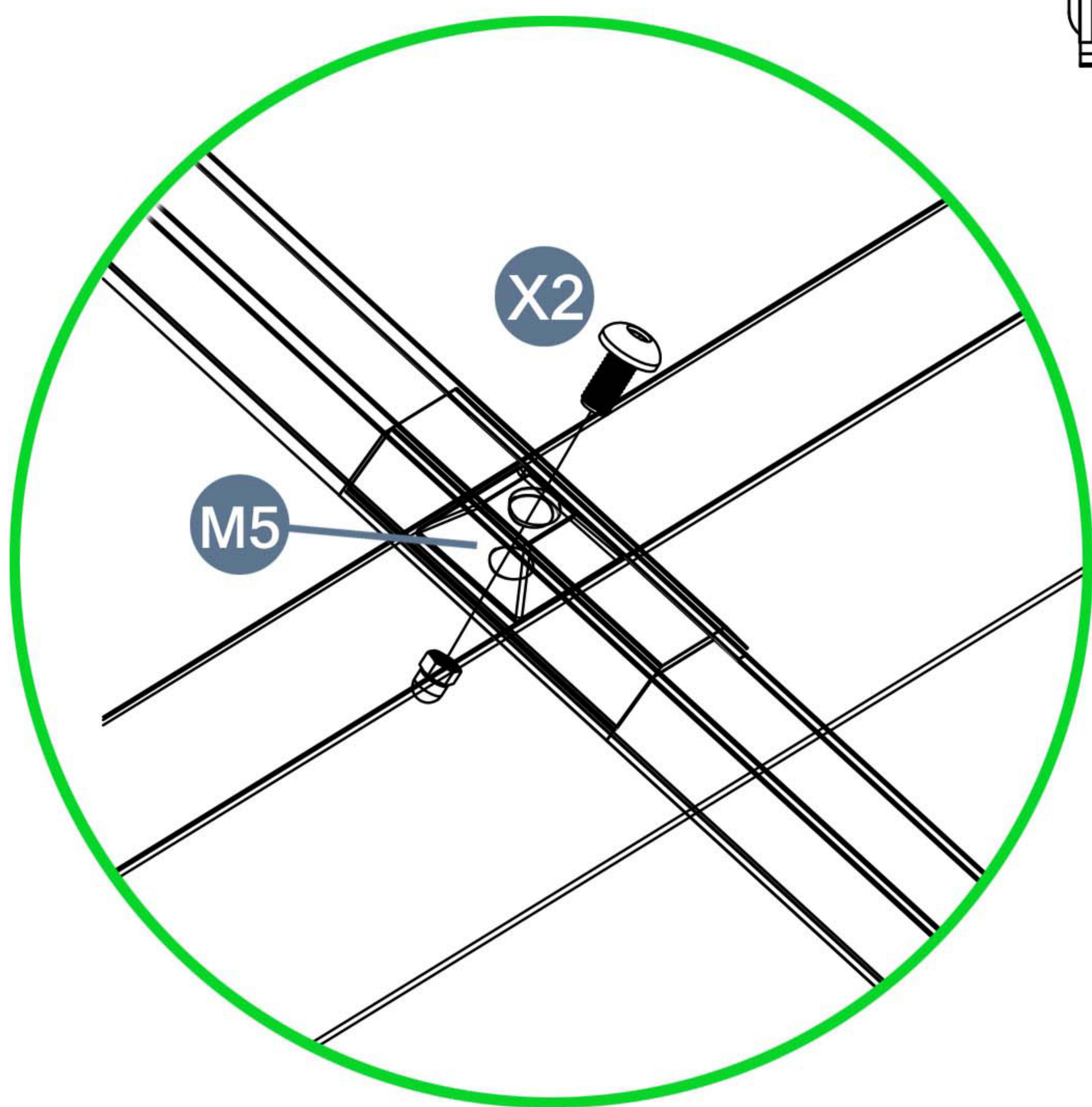
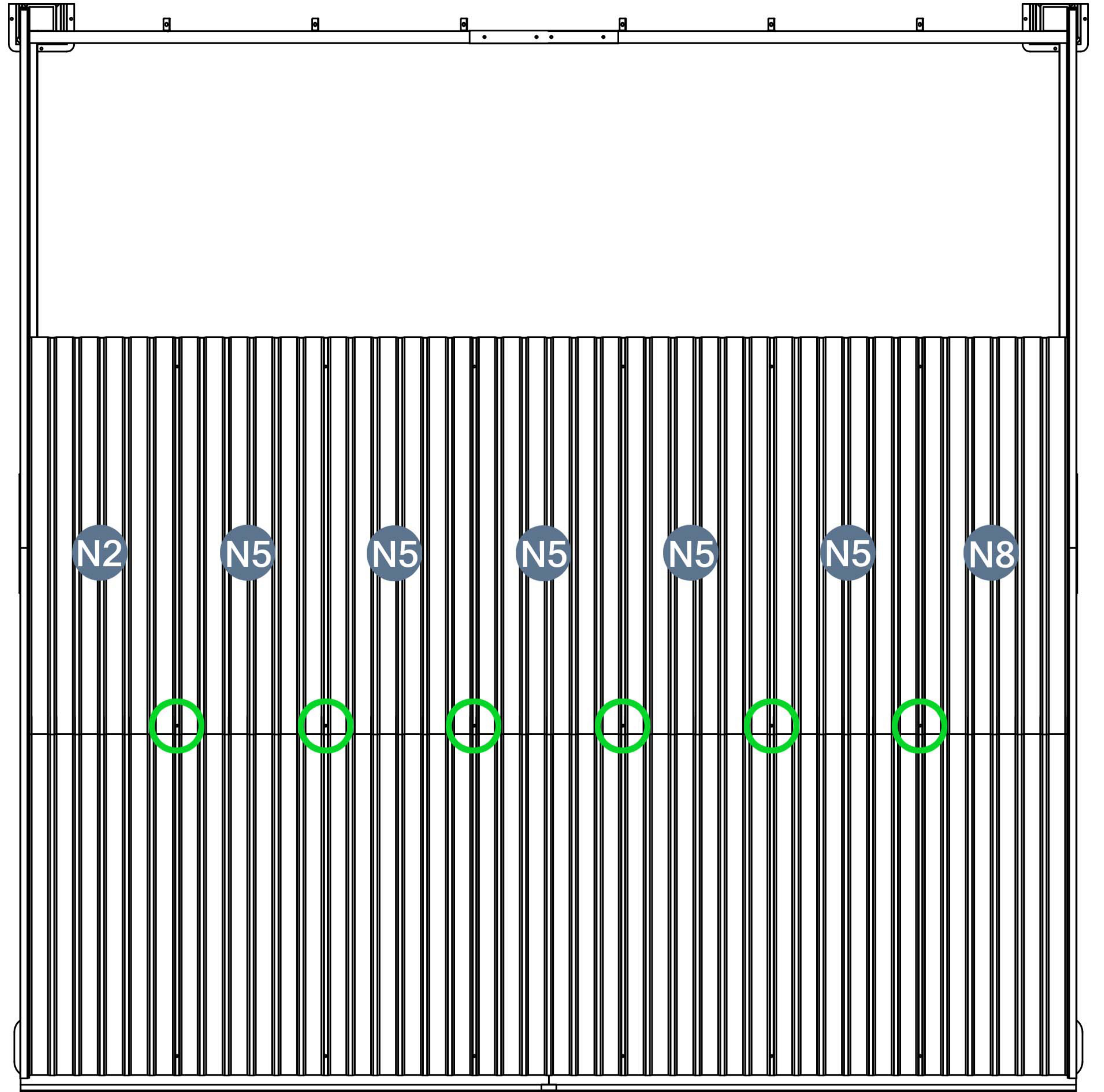
M5 6pcs



X2 6pcs



• Side view

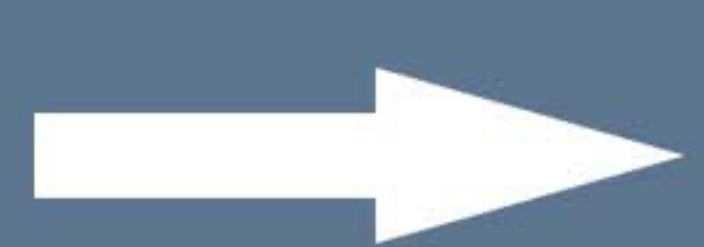


• Perspective diagram

step2



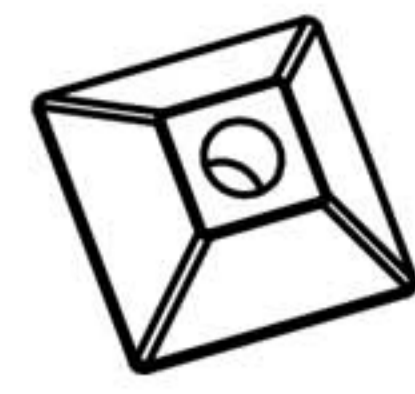
Please take care of the screws and contact the after-sales service if there is any problem with the installation or parts.



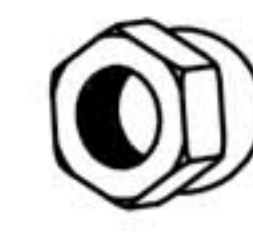
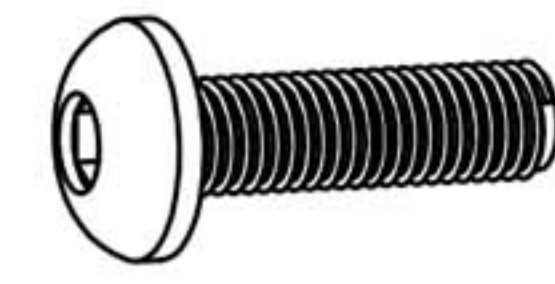
E-mail: cs.helper01@gmail.com

STEP22

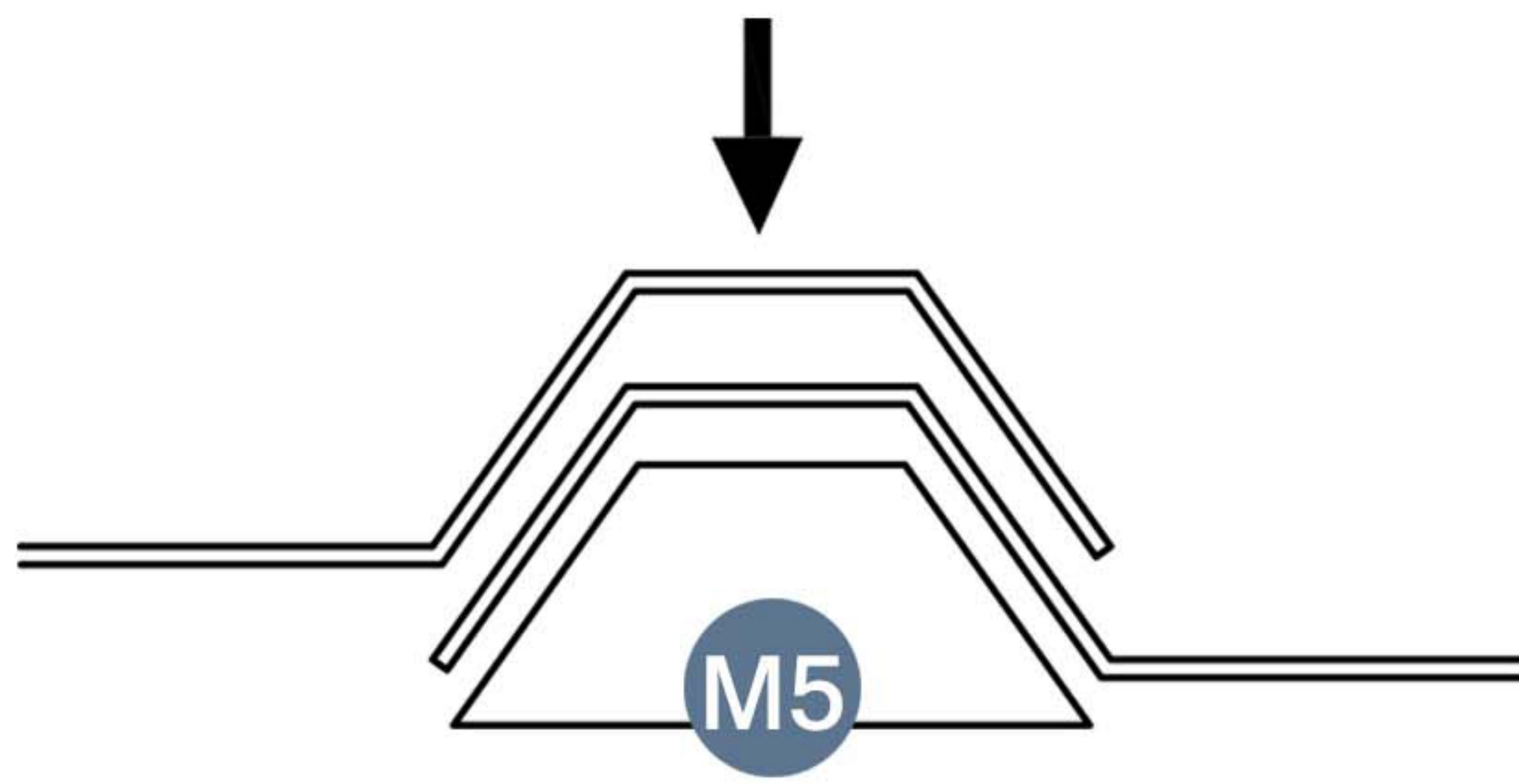
Parts required



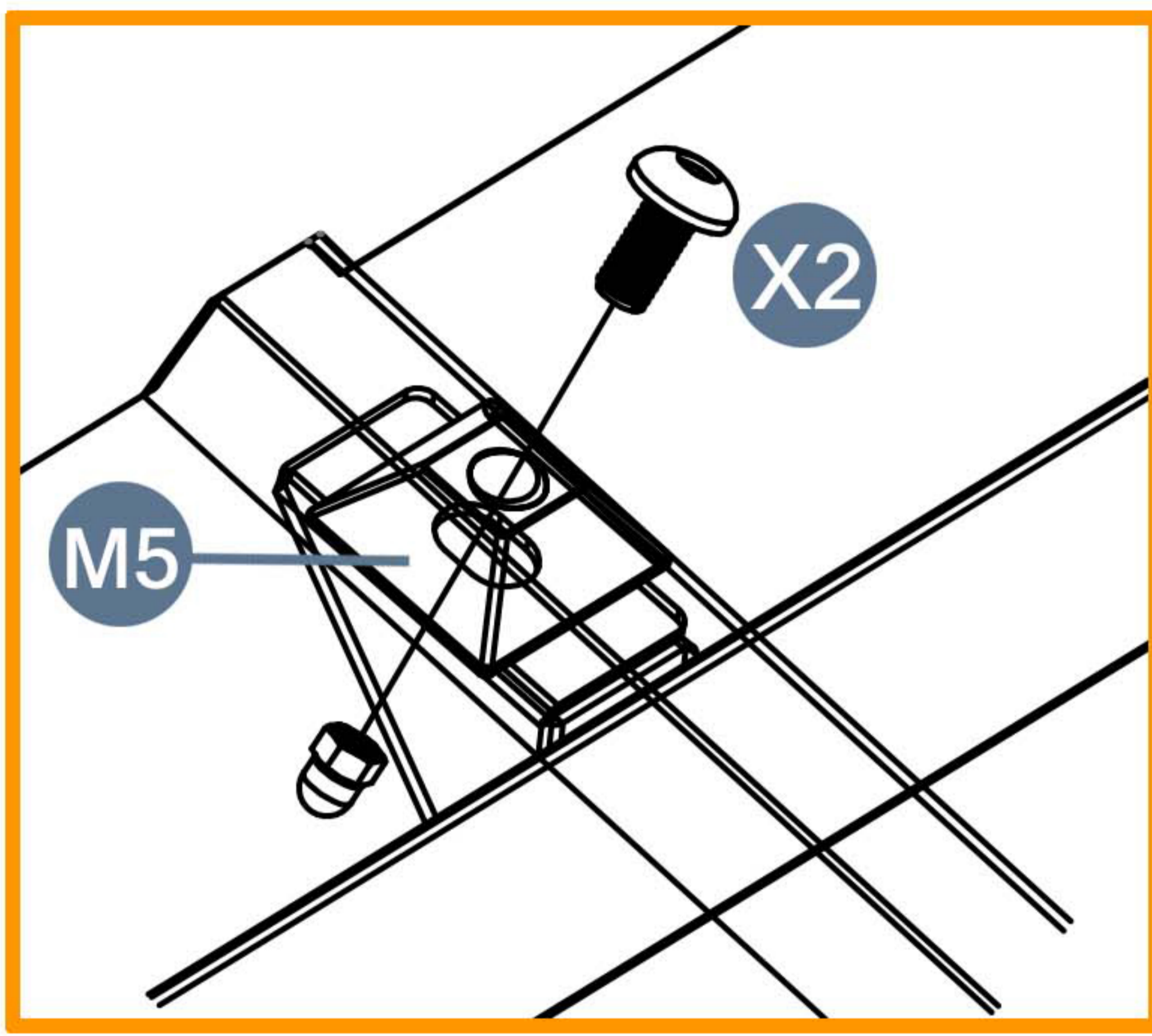
M5 12pcs



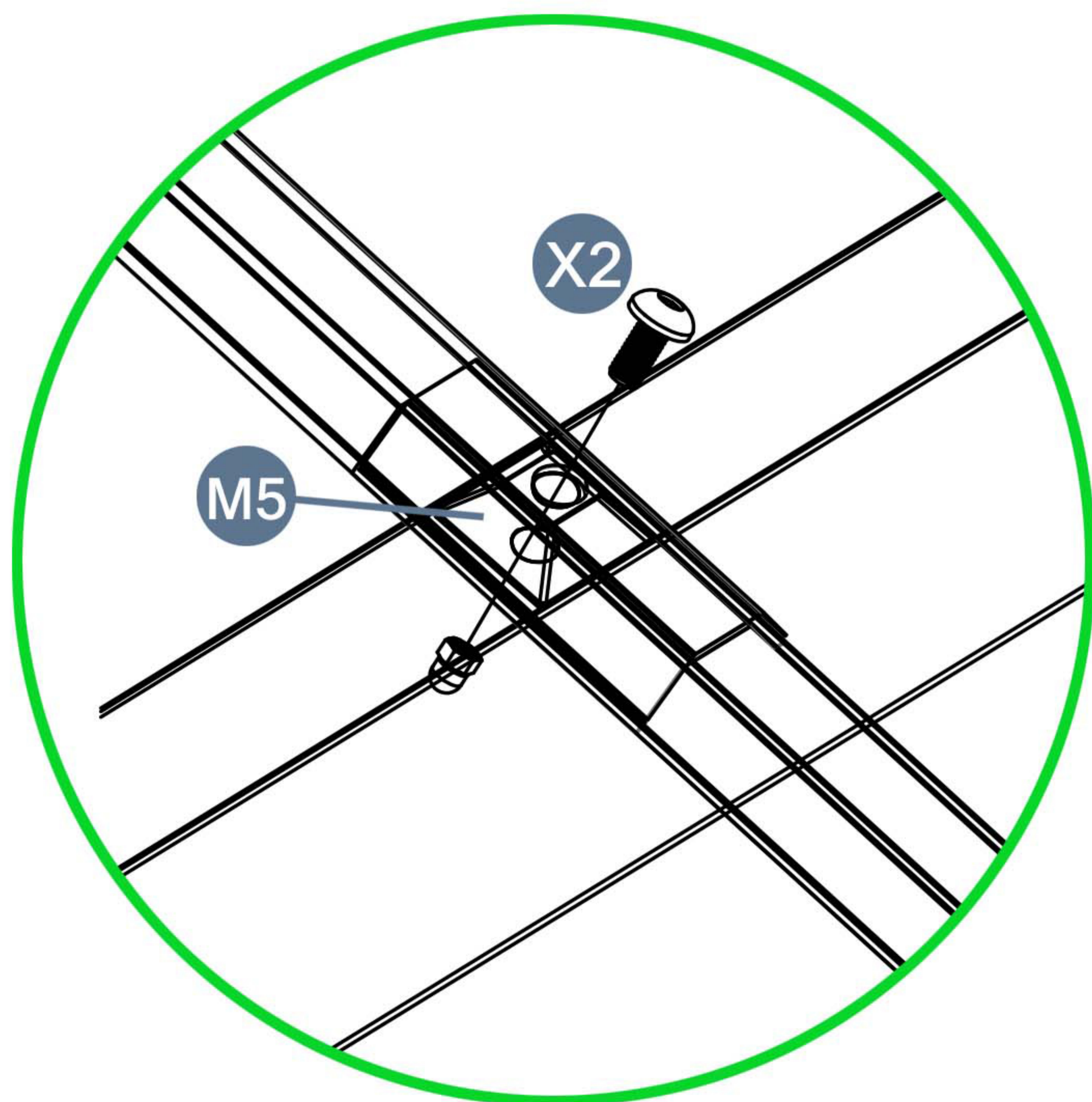
X2 12pcs



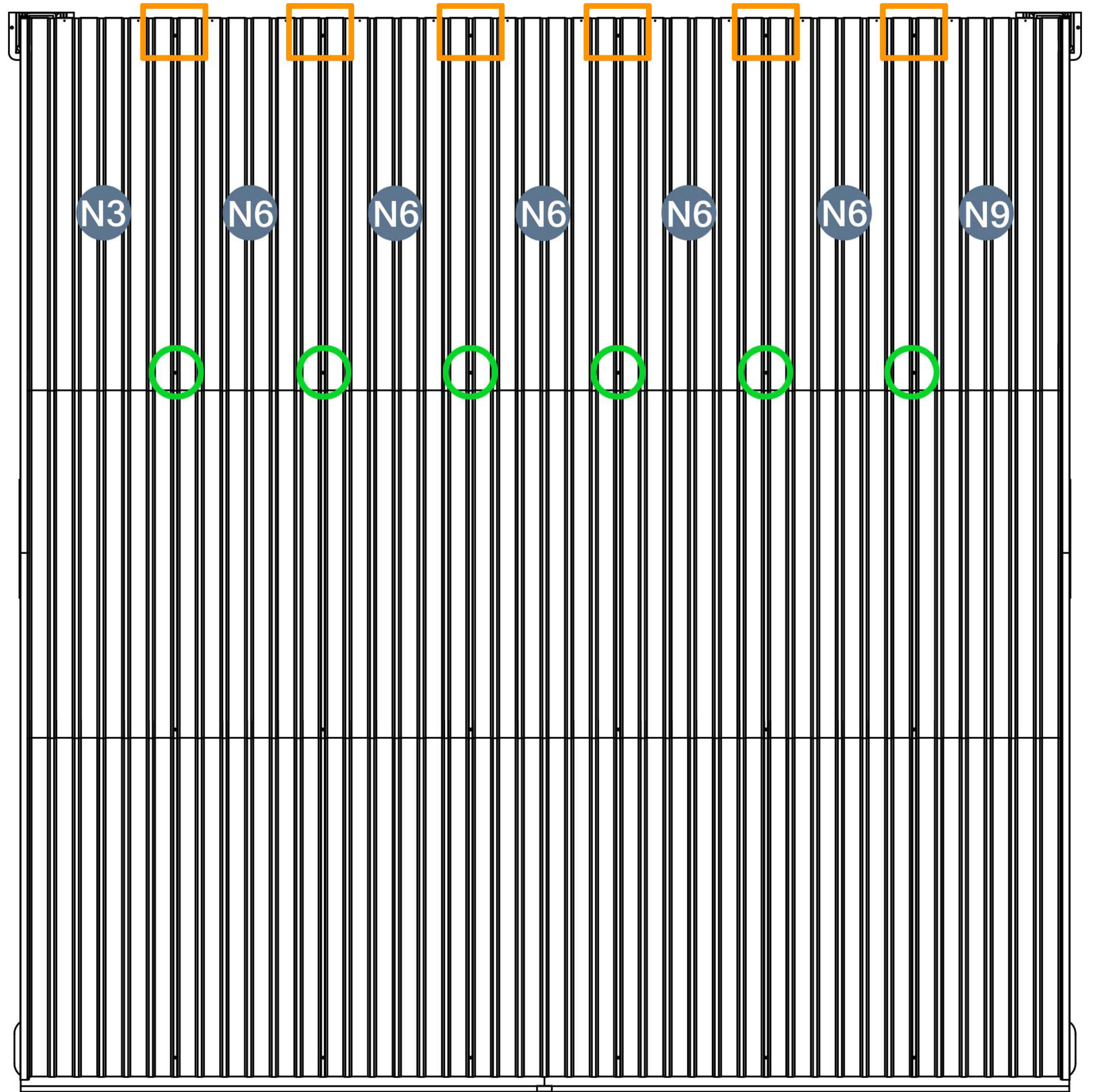
• Side view



• Perspective diagram



• Perspective diagram



step3



Please take care of the screws and contact the after-sales service if there is any problem with the installation or parts.



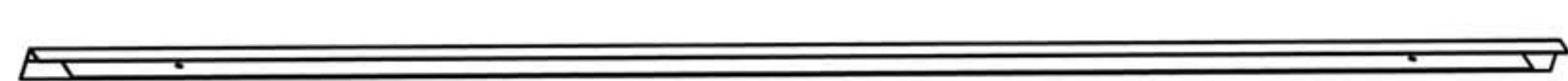
E-mail: cs.helper01@gmail.com

STEP 23

Parts required



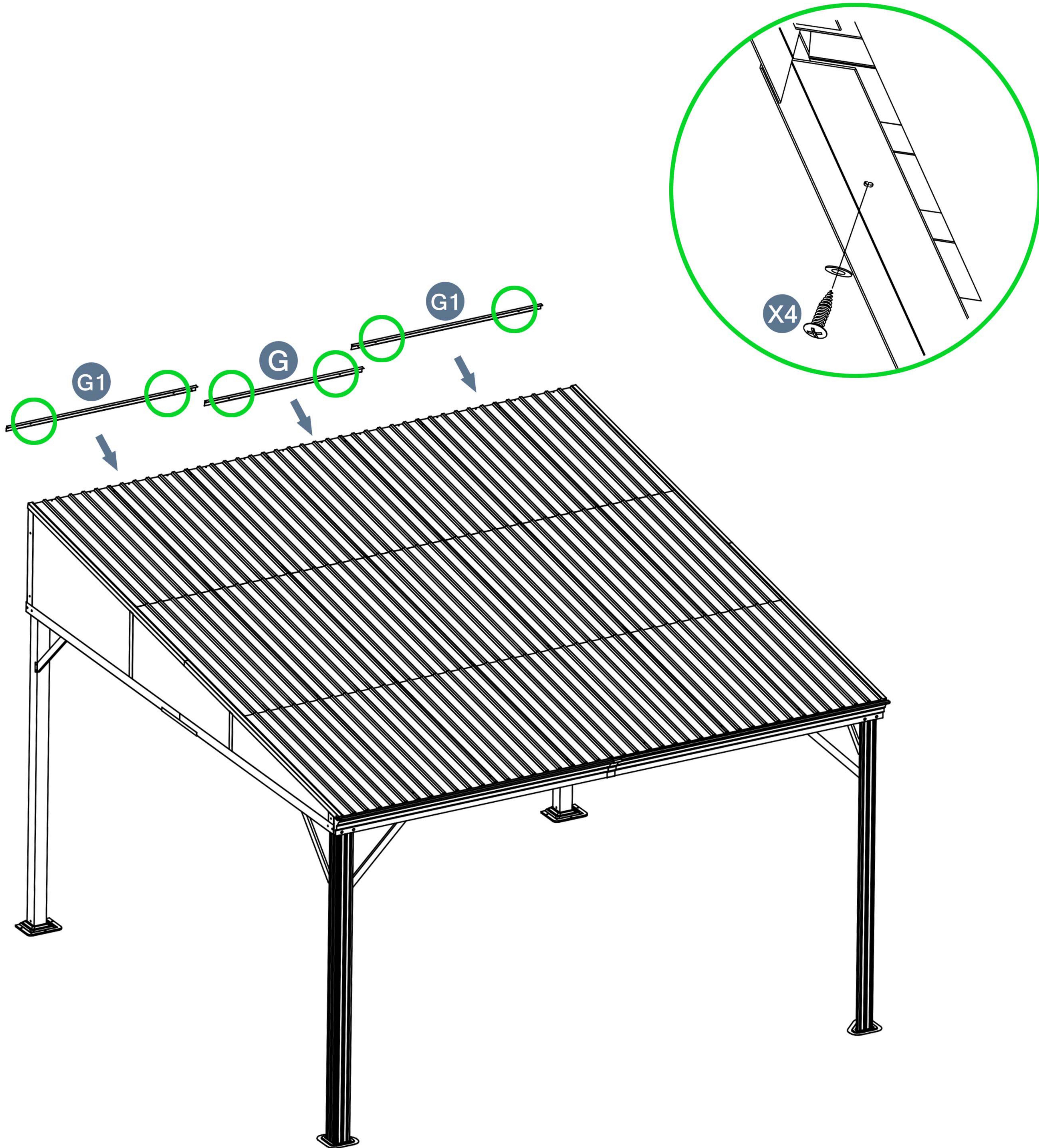
G 1pcs



G1 2pcs



X4 6pcs

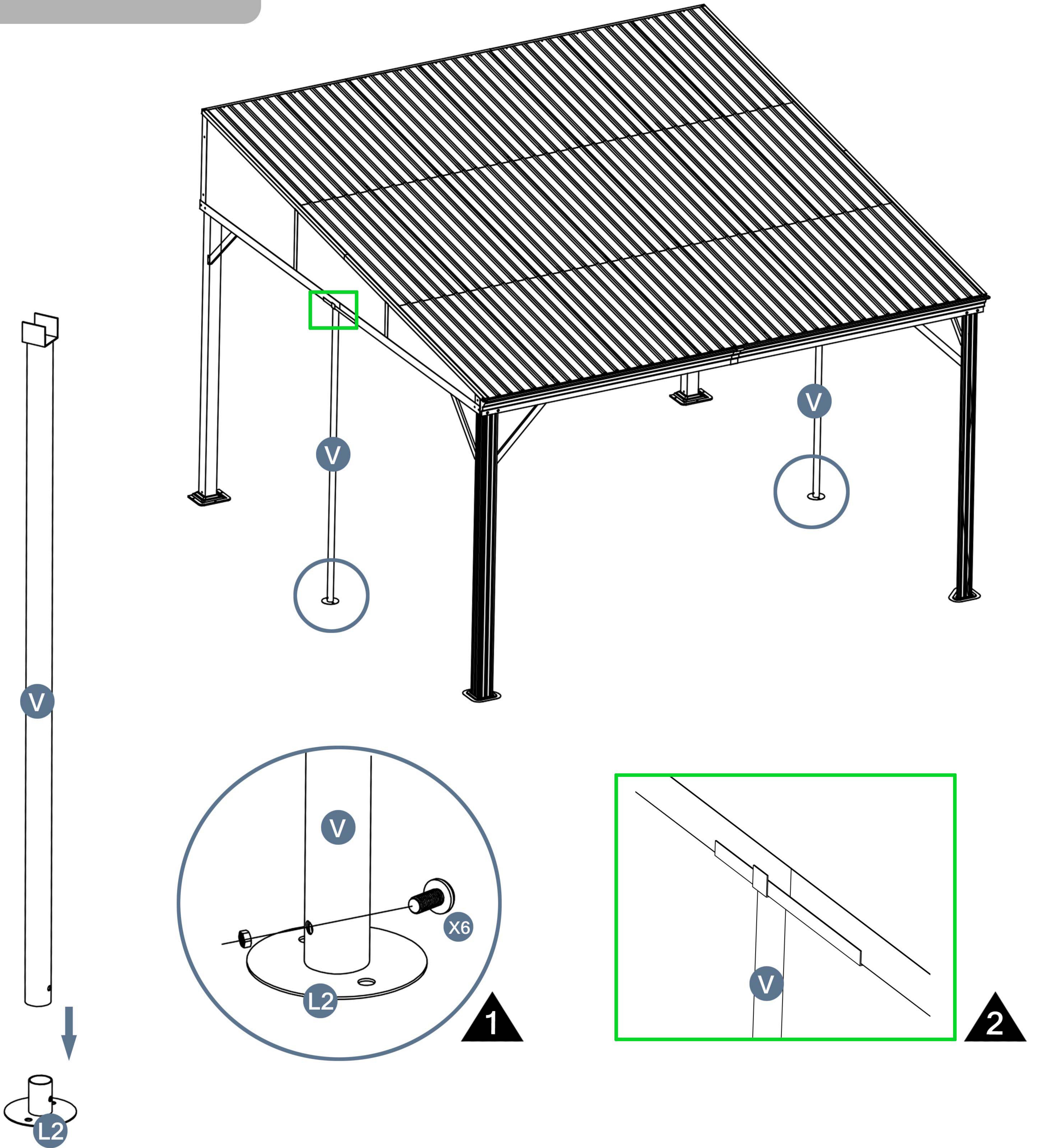
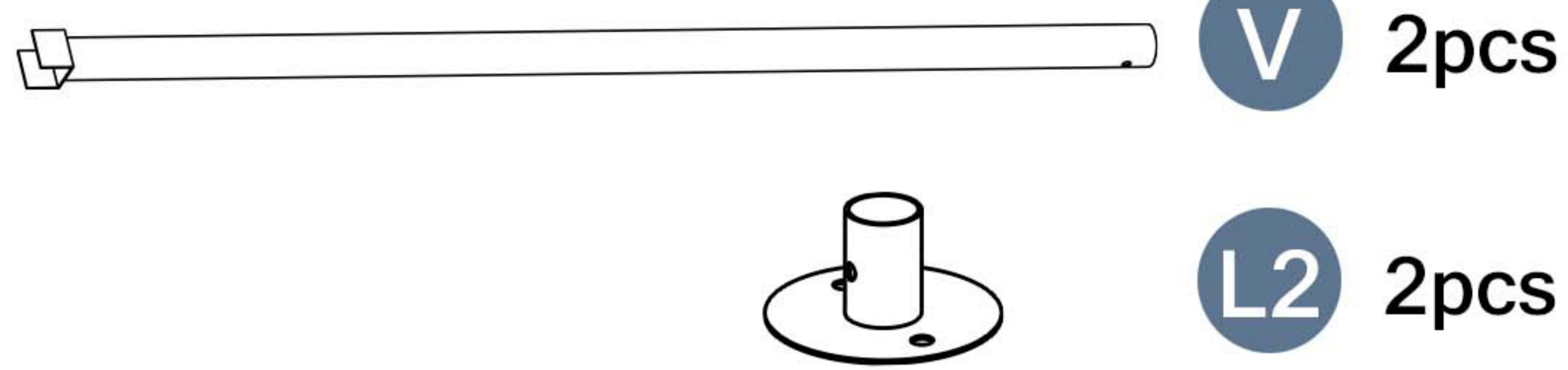


Please take care of the screws and contact the after-sales service if there is any problem with the installation or parts.

➔ ✉ E-mail: cs.helper01@gmail.com

STEP 24

Parts required

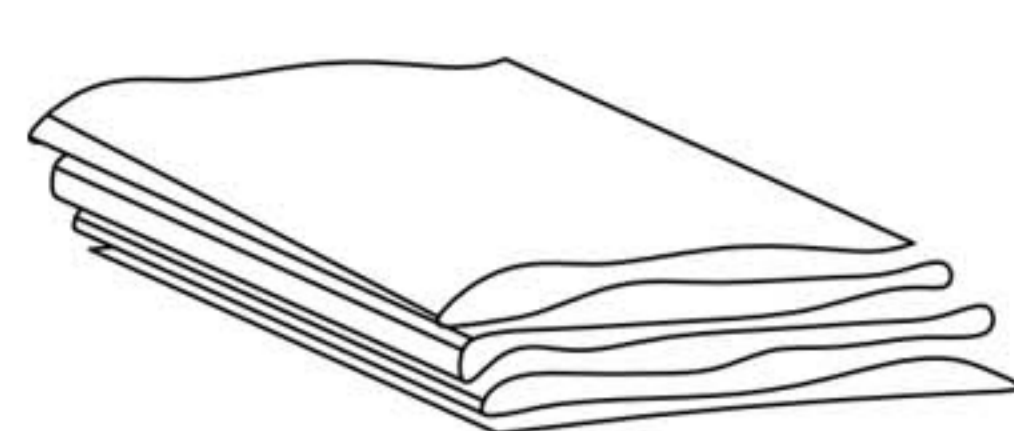


Please take care of the screws and contact the after-sales service if there is any problem with the installation or parts.

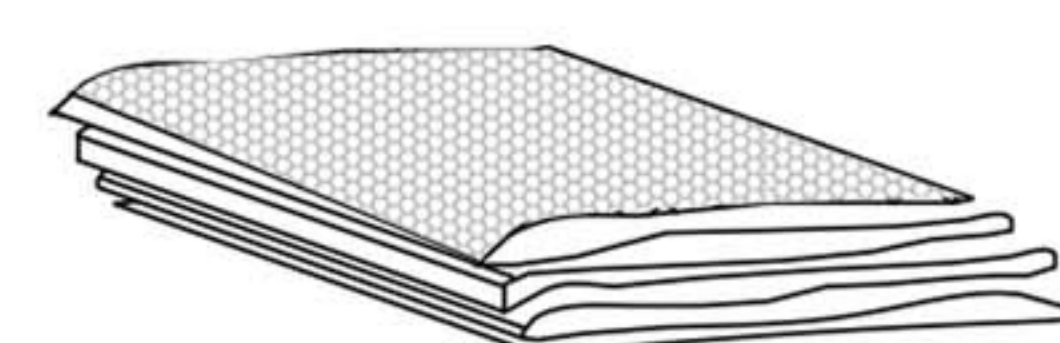


STEP 25

Parts required

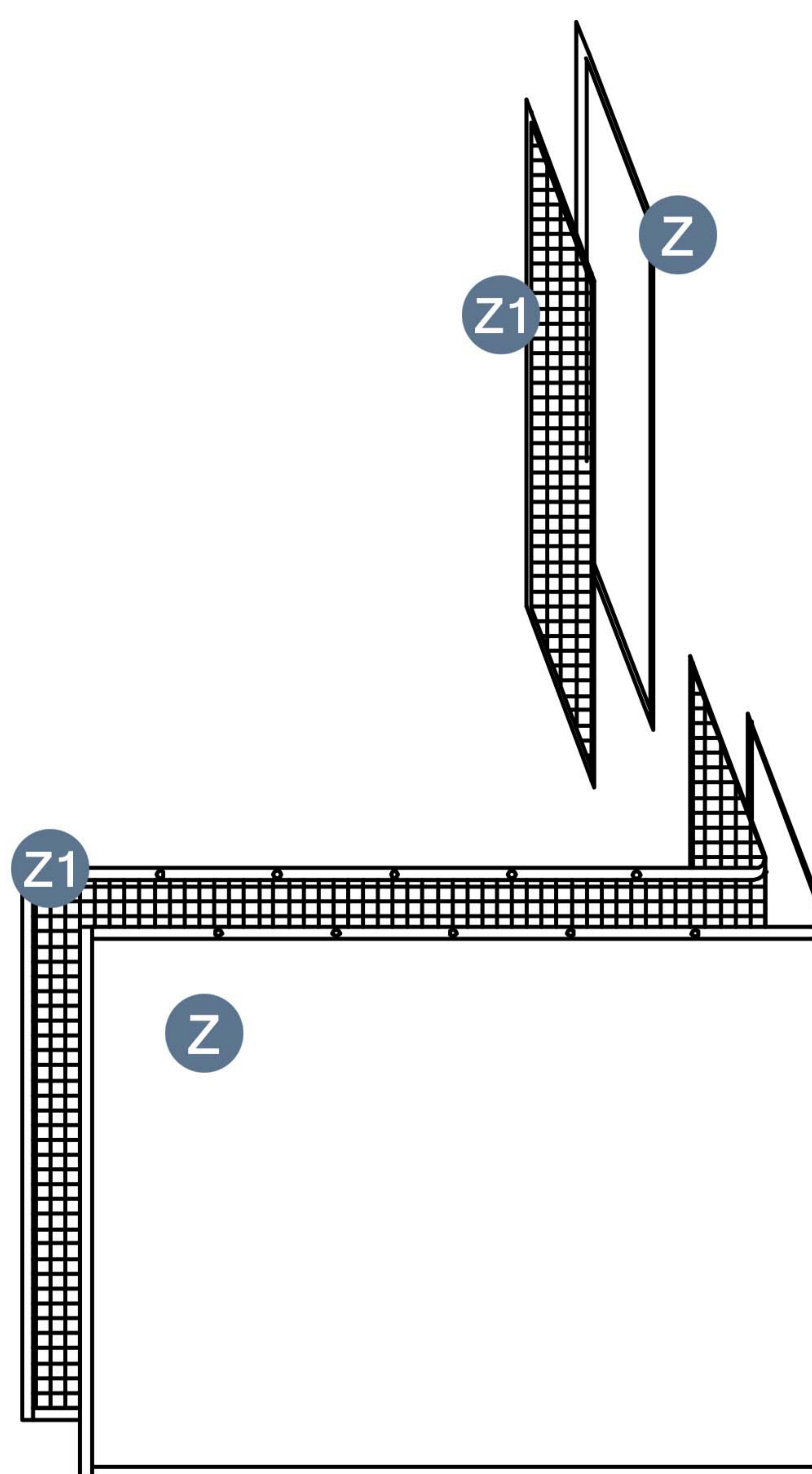
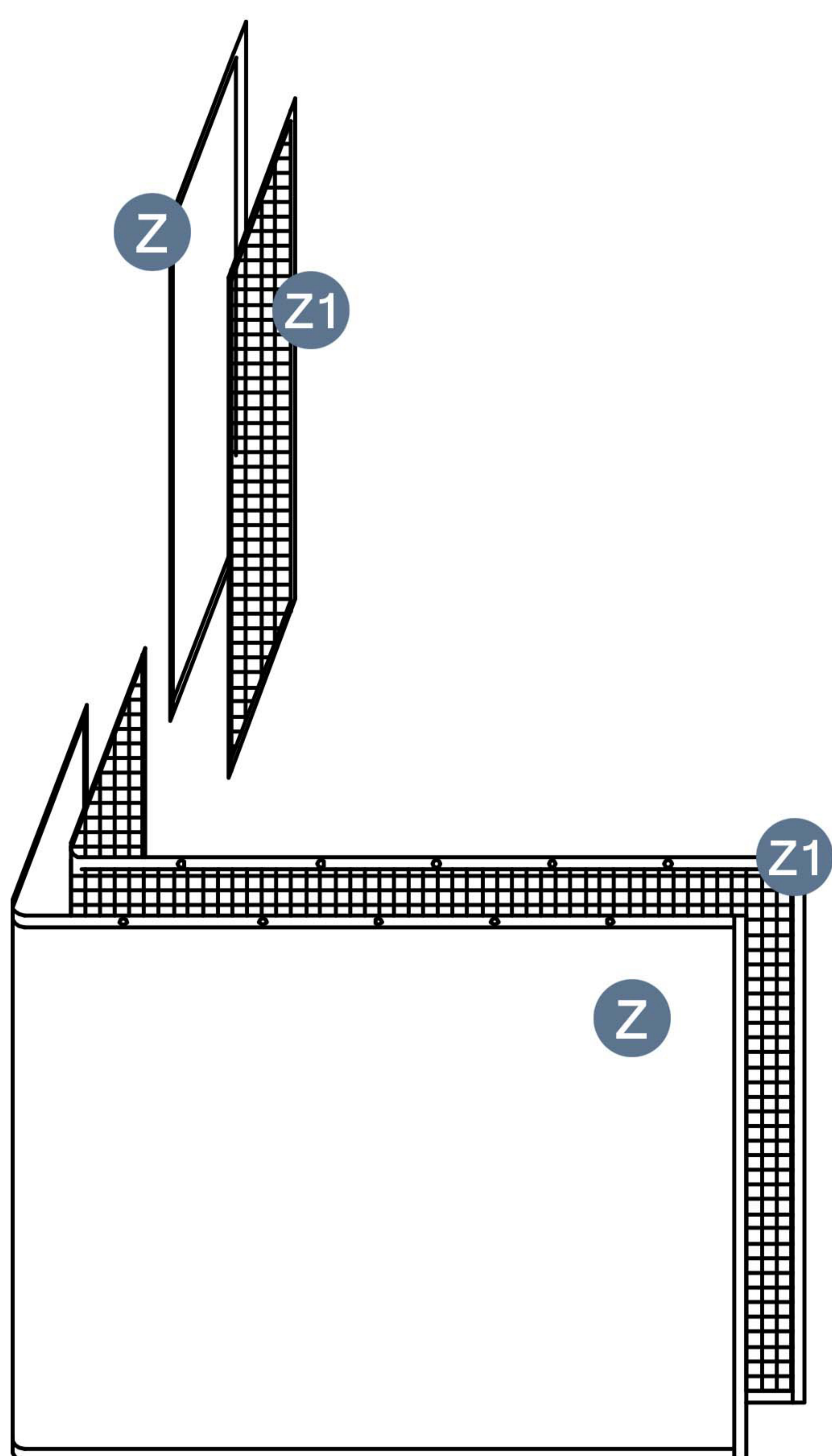


Z 1pcs



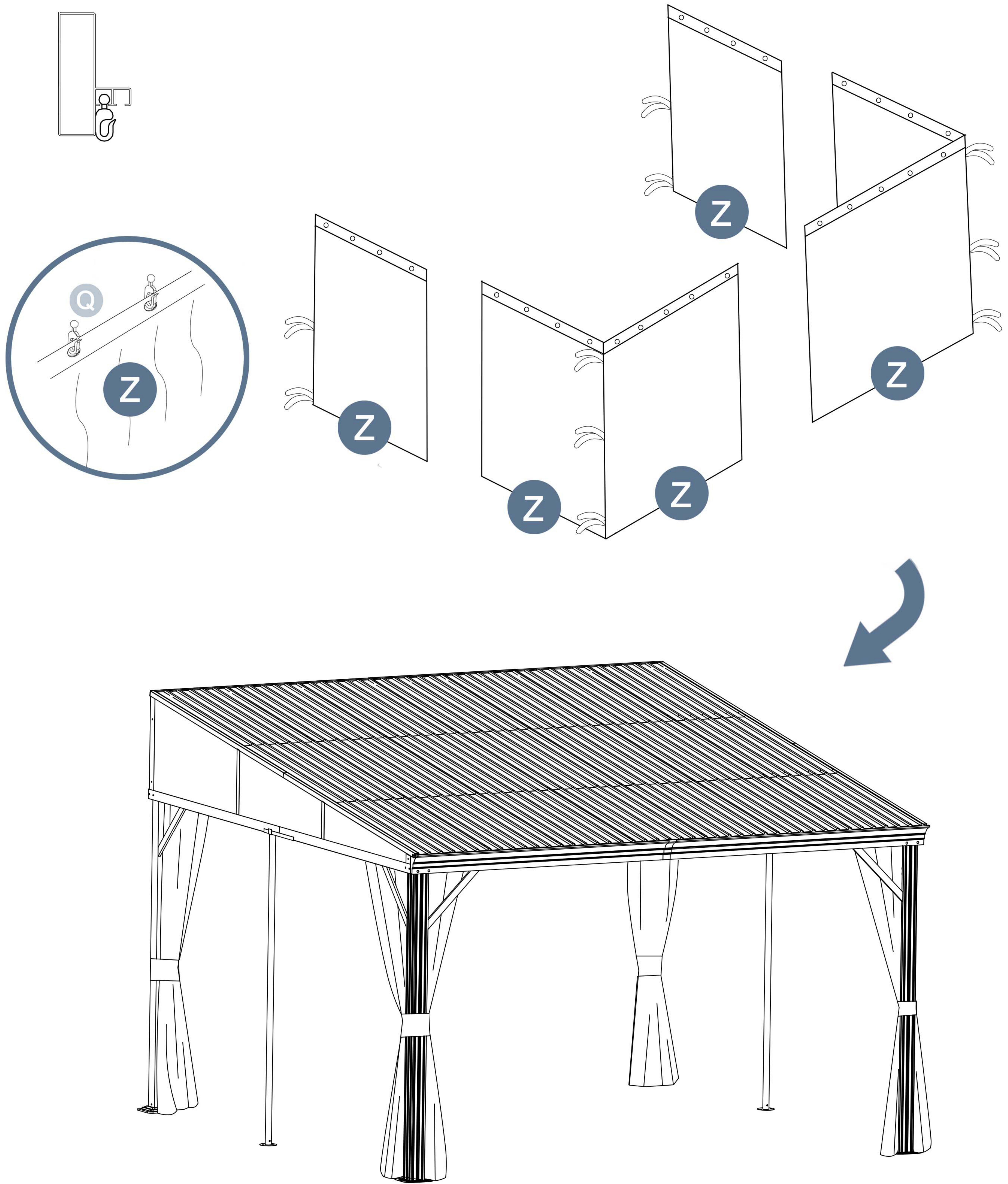
Z1 1pcs

The gauze is on the inside and the gauze is on the outside.

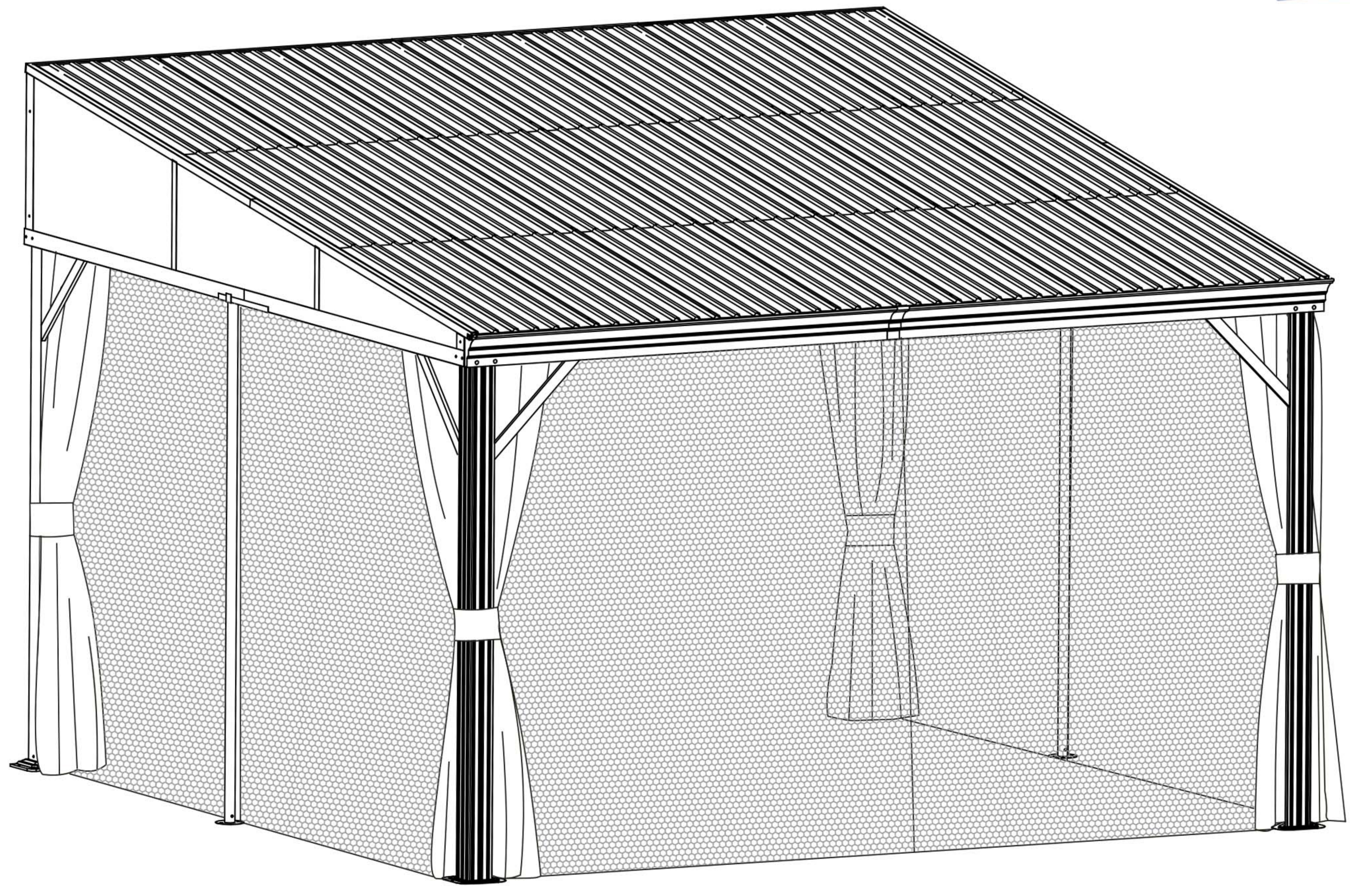
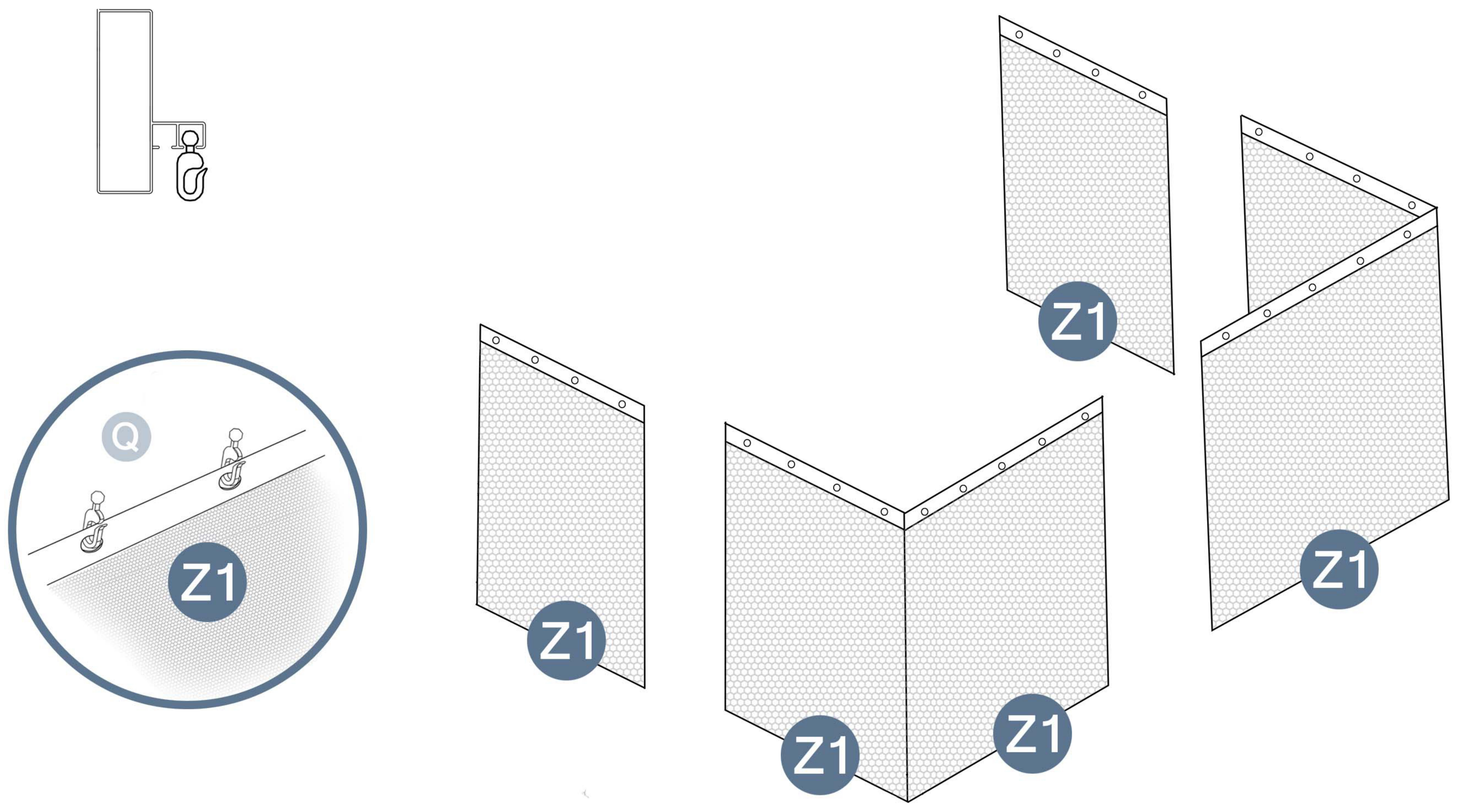


Please take care of the screws and contact the after-sales service if there is any problem with the installation or parts.

➔ ✉ E-mail: cs.helper01@gmail.com



Please take care of the screws and contact the after-sales service if there is any problem with the installation or parts.



Please take care of the screws and contact the after-sales service if there is any problem with the installation or parts.

➔ ✉ E-mail: cs.helper01@gmail.com

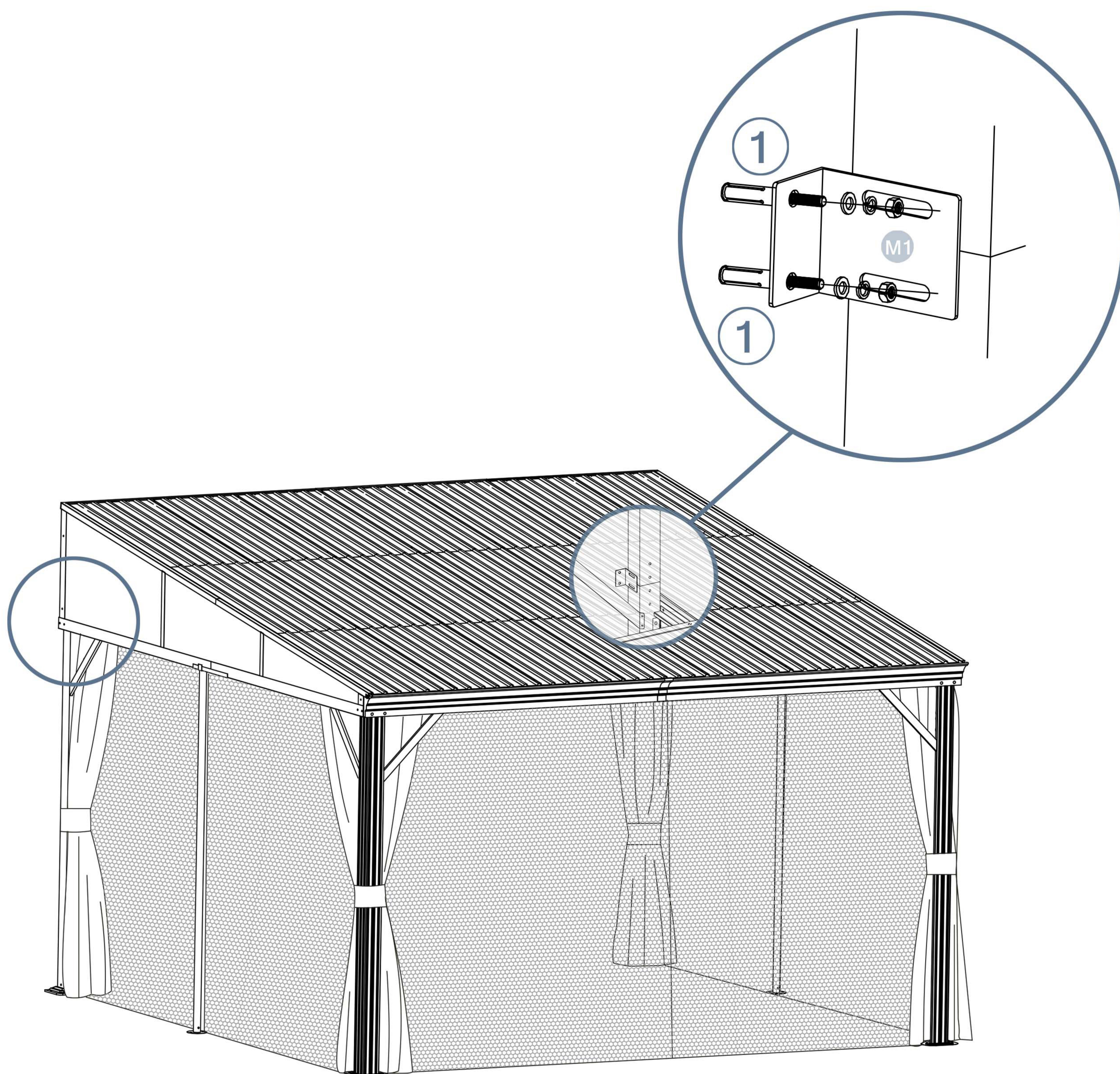
STEP 26

Parts required



① 4pcs

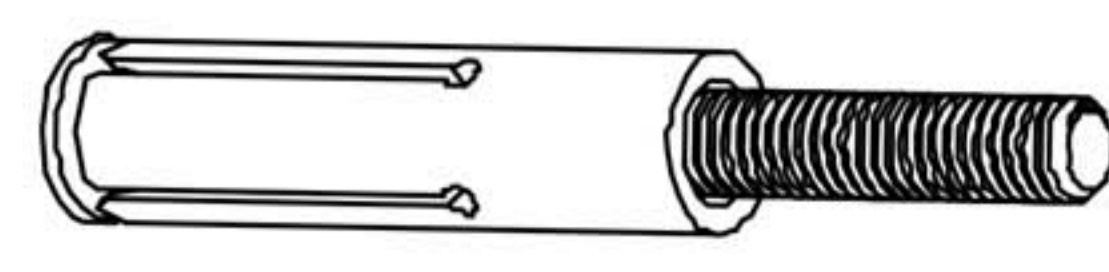
To improve stability of gazebo, expansion screws very necessary. Expansion screws use for cement surfaces and have included in the package.



Please take care of the screws and contact the after-sales service if there is any problem with the installation or parts.

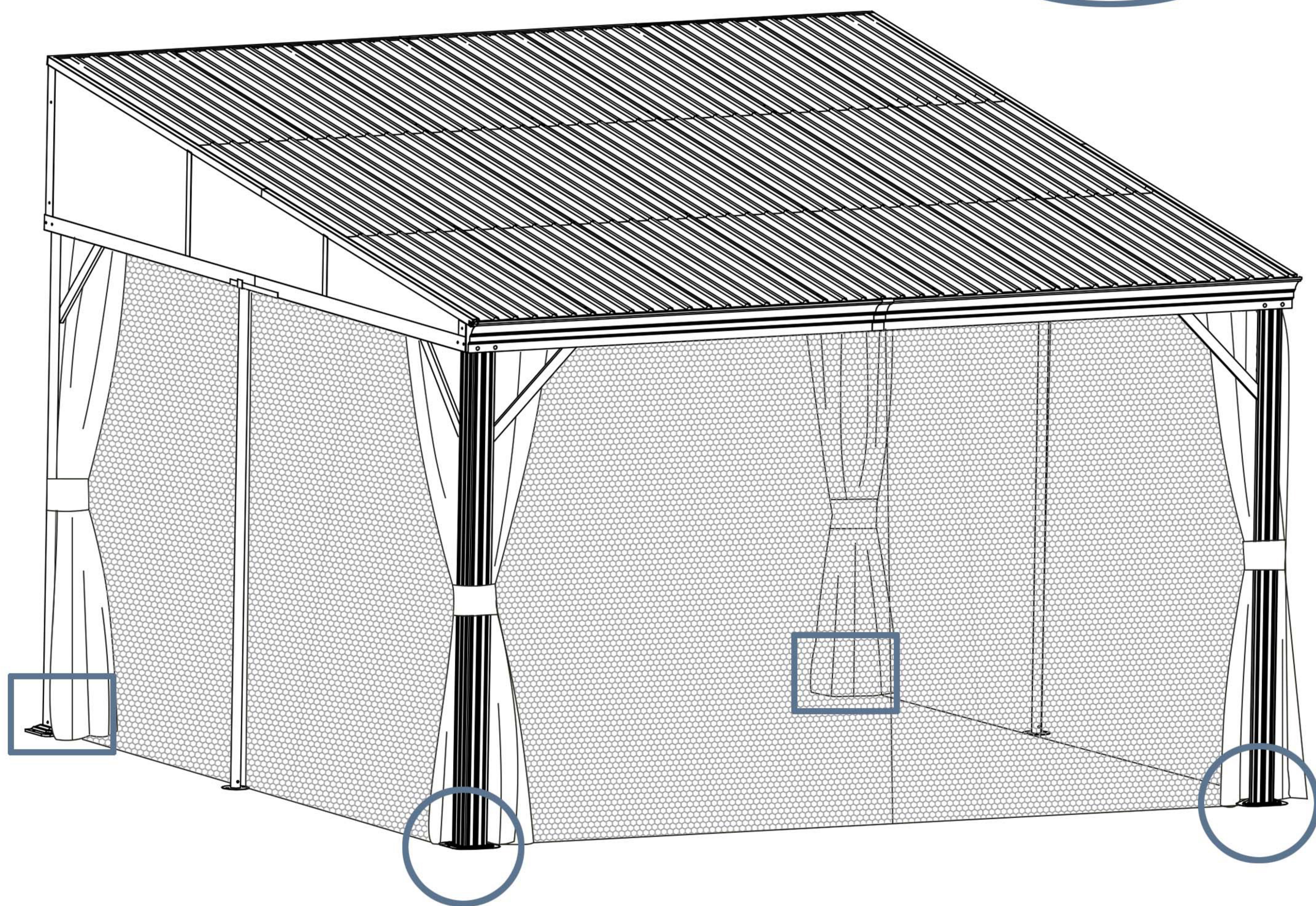
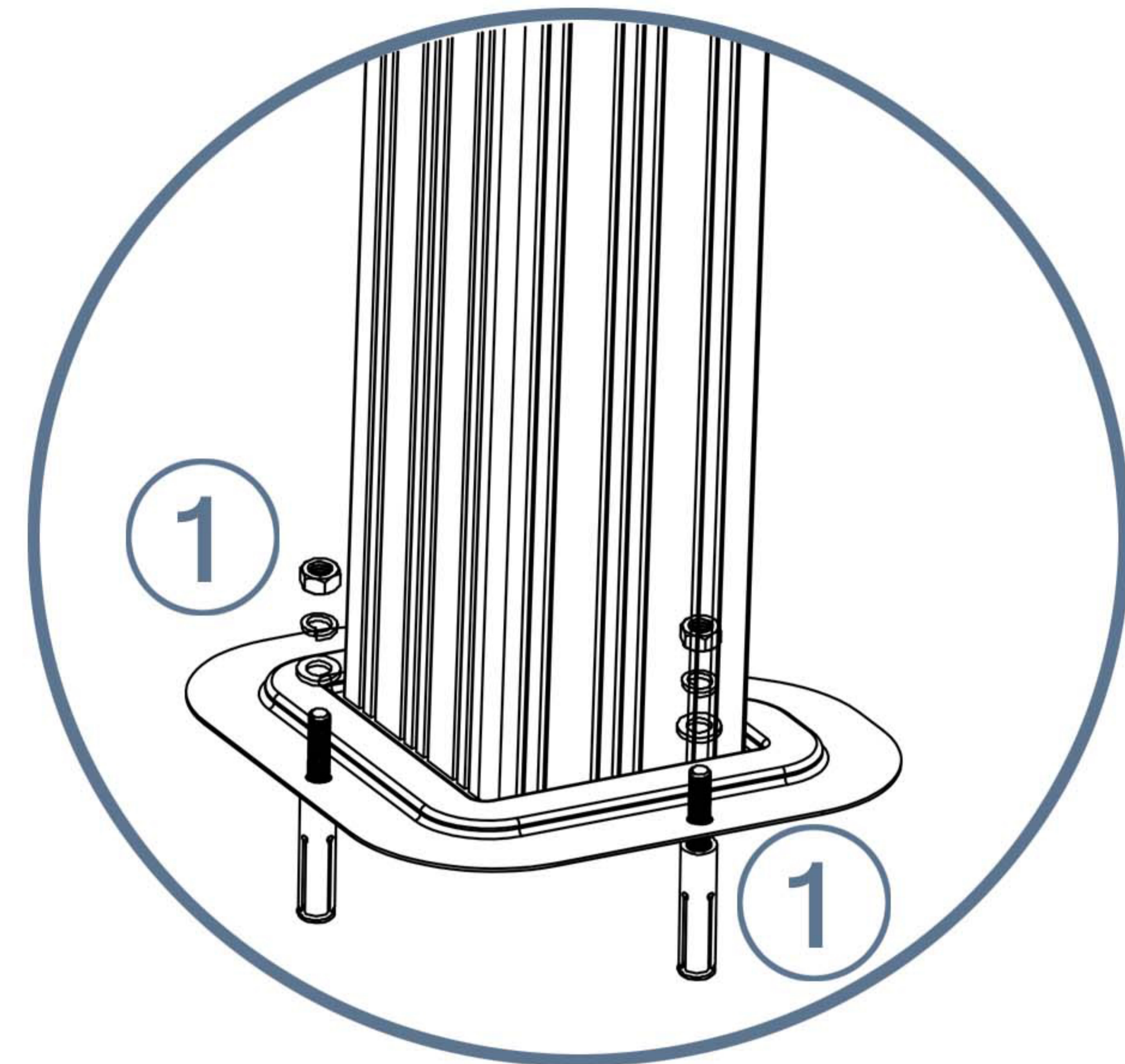
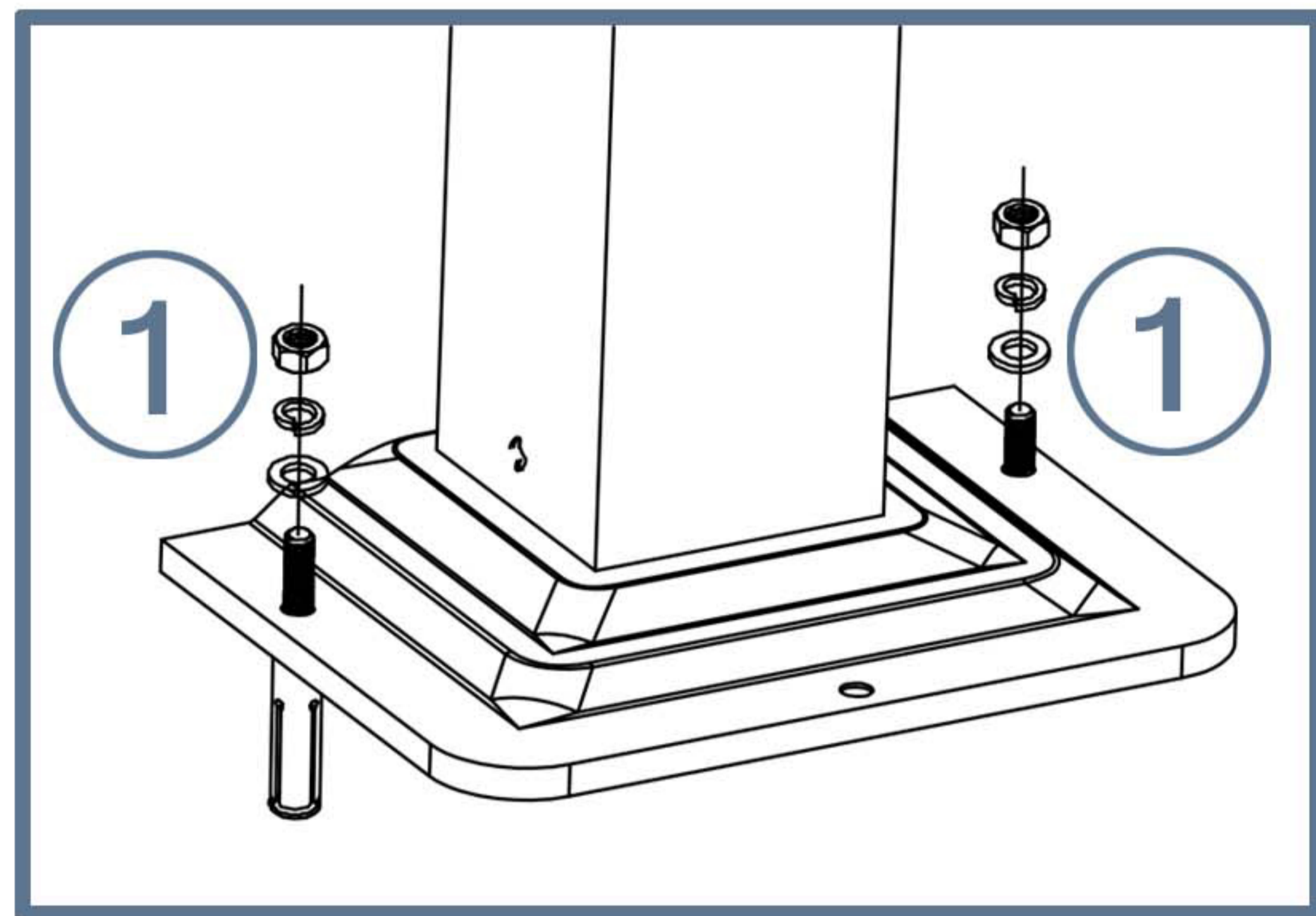
STEP 27

Parts required



① 8pcs

To improve stability of gazebo, expansion screws very necessary. Expansion screws use for cement surfaces and have included in the package.



!!! For safety's stake, please check and make sure that all screws are tightened after all installation is complete.

Installation Completed

Please take care of the screws and contact the after-sales service if there is any problem with the installation or parts.

➔ ✉ E-mail: cs.helper01@gmail.com

Hope you enjoy this product.

If you have any concerns about gazebo Installation, please feel free to contact us. We will reply within 24 hours.



E-mail: cs.helper01@gmail.com