



# Valton™

25-11/16" undermount single-bowl kitchen sink  
**36544**

## Features

- 30" (762 mm) minimum base cabinet width
- 9" (229 mm) depth provides generous workspace
- SilentShield® sound-absorption technology offers quieter performance
- 25-11/16" x 18-3/8" x 9" (652 x 467 x 229 mm)
- 3-7/8" (98 mm) drain opening
- No faucet holes; requires wall- or counter-mount faucet
- Sink rack, serving tray, and sink drain with strainer sold separately

## Material

- Premium 18-gauge stainless steel

## Installation

- Undermount
- Installation hardware and template included

## Recommended Products/Accessories

- 36600 Sink rack
- 36604 Serving Tray
- 7400 Stainless Steel Sink Drain and Strainer
- K-23726 Drain treatment
- K-23729 Stainless steel cleaner

## Included Components

- 91915 Hardware Kit

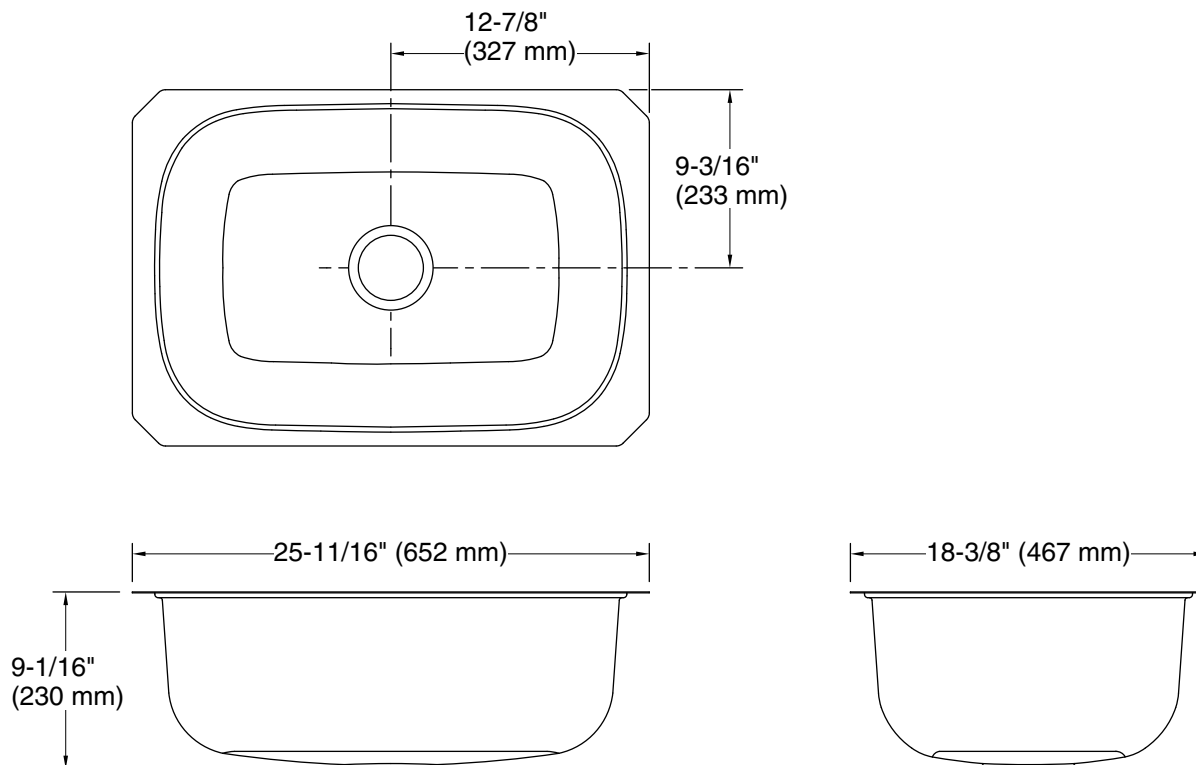


## Codes/Standards

ASME A112.19.3/CSA B45.4

## STERLING® Stainless Steel Sinks Lifetime Limited Warranty

See website for detailed warranty information.



### Technical Information

All product dimensions are nominal.

Basin configuration: Single Bowl  
Min. base cabinet width: 30" (762 mm)

Bowl area (Basin #1): Length: 23-1/2" (597 mm)  
Width: 16-1/8" (409 mm)  
Water depth: 9" (229 mm)

Drain hole: 3-7/8" (98 mm)

Template: Undermount, 1619035-7, required, included

### Notes

Install this product according to the installation instructions.

NOTICE: Countertop manufacturer or cutter must use the cut-out template provided with the product, or a current one provided by Kohler Co. (call 1-800-4KOHLER). Kohler Co. is not responsible for cutout errors when the incorrect cut-out template is used.