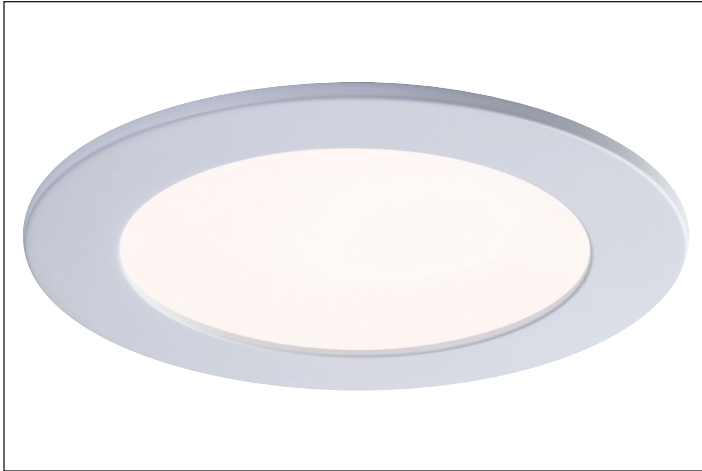


# TL-SLM6-CCT5-90WH

6" THINLED PRO, CCT Selectable

**TRENZ**<sup>TM</sup>  
LIGHTING



## Features

### Body

Durable airtight aluminum body with UV stable paint and white PMMA diffuser lens for low glare. Includes silicone gasket for wet location applications. Interchangeable magnetic trim.

### LED Characteristics

This general application light fixture features a 16 watt LED module that maintains intensity producing up to 1150 lumens; with a typical CRI of 90. Available with 5 step CCT switch (2700 K, 3000 K, 3500 K, 4000 K, 5000 K).

### Dimming

100%-10% dimming capability. This fixture is compatible with industry standard TRIAC/ELV dimmers (contact factory for listing of compatible dimmers).

### Beam Spread

The fixture lens provides 110° beam spread.

### Mounting

Includes two spring loaded clips to attach to any ceiling material. The slim profile allows to be mounted under joists or duct work.

### LED Driver

Extruded aluminum hardwire box with 370mA dimmable class II electronic LED driver with 100-135V AC input. Includes an 18" plenum rated FT6 wire with DC 2.1 connector from driver to fixture.

### Quick Connect Push-in Terminals

Three "Quick Connect" push-in terminals for fast and easy wiring.

### Operating Temperature

-30°C~40°C (-22°F~104°F).

### Environment

Suitable for wet locations. Suitable for insulated ceiling applications.

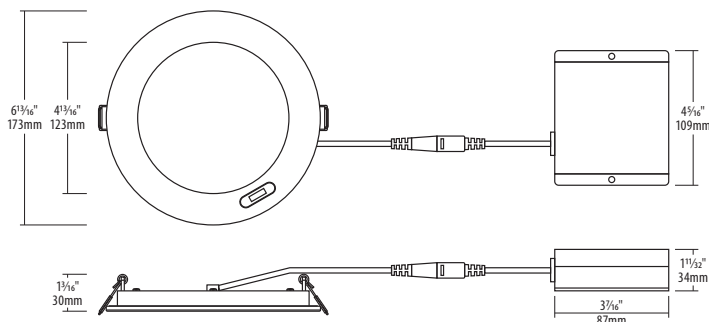
## Description

6" Slim profile light fixture for recess retrofit applications in wet locations. It is a high performance, easy to install residential grade downlight solution that offers good light output, energy-efficient and streamlined design with interchangeable color trims and CCT selecting switch. Suitable for wet locations.

### TECHNICAL DATA

Application	Ceiling Recess Mount
Approved Location	Wet / Insulated Ceiling
Beam Angle	110°
CCT	2700 K / 3000 K / 3500 K / 4000 K / 5000 K (via CCT switch)
Certification	cETLus
Class II	Yes
Color	White (other accessory colors available)
CRI	90
Dimming	Yes
Dimming Technology	Forward/Reverse phase / TRIAC / ELV
Input	100-135V AC, 60 Hz
Lumens	1150
Lumens per Watt	74
Power Factor	>0.9
Projected Lumen Maintenance	70% @ 50,000 hours
Warranty	Lifetime
Wattage	16W

**Notes:** Due to our continued efforts to improve our products, product specifications are subject to change without notice.



## Accessories



**TL-SLM6-RT-BK**  
Black round faceplate.



**TL-SLM6-RT-BN**  
Brushed Nickel round faceplate.



**TL-SLM6-RT-OB**  
Oil Rubbed Bronze round faceplate.



A division of  
Une division de

**LITELINE CORPORATION**  
P 416-996-1856 | 1-866-730-7704  
F 905-709-5255 | 1-888-738-9736

Copyright © 2020, Liteline Corporation. All rights reserved.