

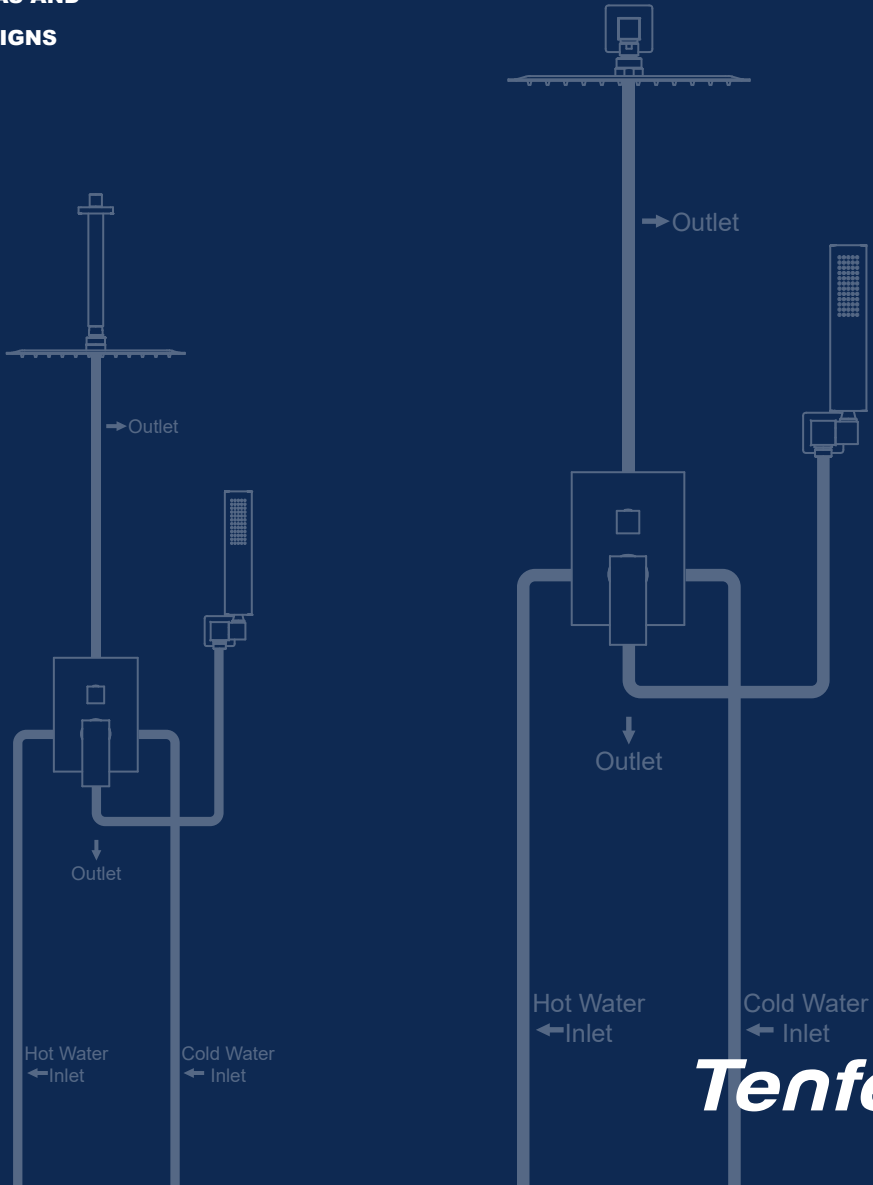
Installation Manual

2-Way Wall Mounted Shower System

STYLISH BATHROOM

IDEAS AND

DESIGNS



Tenfe[®]

ENJOY SHOWER BATH

STYLISH BATHROOM
IDEAS AND
DESIGNS

CATALOGUE

ABOUT TENFE & CERTIFICATION	01
QUALITY ASSURANCE & COLLECTIONS	02
INSTALLATION PROCESS	03
ADJUSTMENT OF CHECK VALVES	15
PRODUCT REPAIRATION & GUARANTEE	16
CLEANING AND MAINTENANCE	17

QUALITY ASSURANCE

With our after-sale service, your concern can be resolved following 3 steps, any questions you have regarding our products will be resolved easily.



STEP1: INSTALLATION MANUAL

Our installation manuals are available for any needs you should have, from general installation instructions to more specific instructions, depending on the product.

STEP2: QUICK SUPPORT

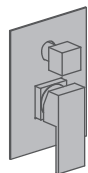
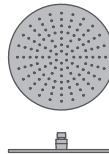
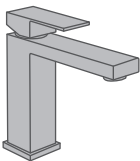
If any small incident has arisen with our products, you only need to follow the path until finding the solution in our online technical service.

STEP3: ONLINE TECHNICAL SERVICE

To receive Technical Support, please feel free to email us, we will reply you as soon as possible.

COLLECTIONS

A collection consists of bathroom sink faucets and showers, bathtubs faucet and accessories all of consistent design. Here, our design partners lend the collections their own particular character.



1. INSTALLATION PRECAUTIONS

1. When you open the product packaging, please check the product and accessories at first. If there is any discrepancy, please contact the company or our distributor immediately.
2. The hot and cold water supply pipe of the faucet must be properly connected. When facing the front of the faucet, the hot water supply is on the left and cold water supply is on the right. Incorrect connection will cause permanent damage to the cartridge.
3. If the accessories to be changed without affecting the use, we will not make a prior notice.
4. The impurities in the water supply pipe must be cleared before installation to avoid blockage.
5. The water pressure of the faucet is 0.05MPa -1.0MPa (including cold water and hot water pressure)
Applicable water temperature range: 39°F- 194°F

2. PREPARATION BEFORE INSTALLATION

1. Please read the installation manual carefully before installation.
2. Installation work must be performed by a professional installer.
3. Installation tool :



Electric drill



Pencil



Screw drivers



Tape
measure



Spirit level with horizontal
and vertical indicators



Split ring pliers



Knife



Wrench



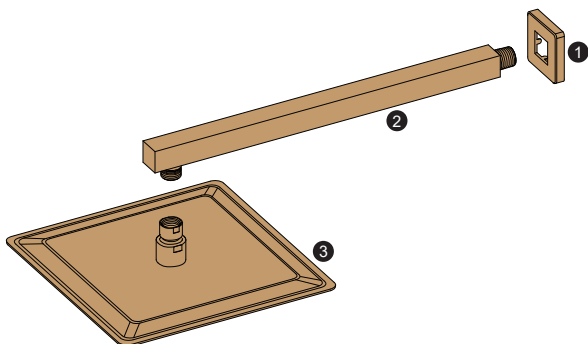
Sealant Tape



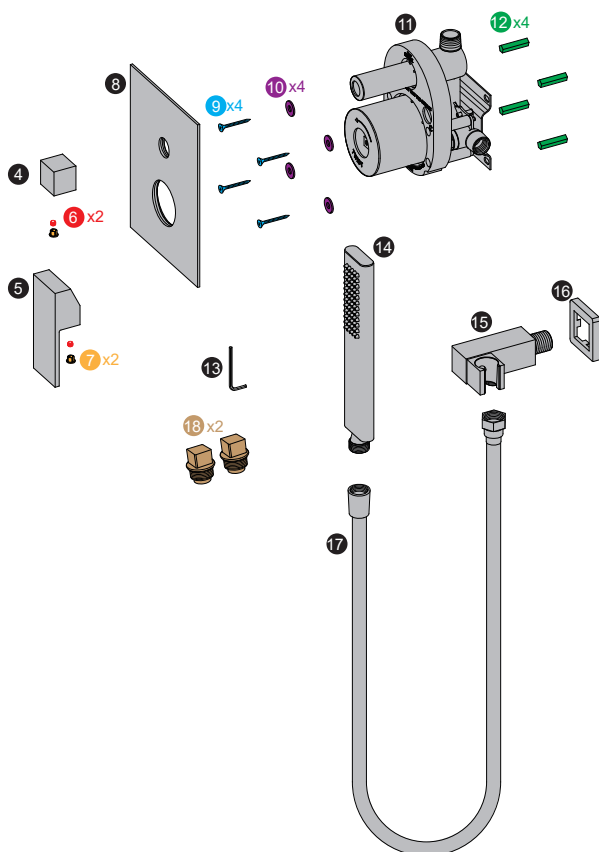
Hammer

TWO FUNCTION CONCEALED FAUCET ACCESSORIES LIST

Wall mounted shower system

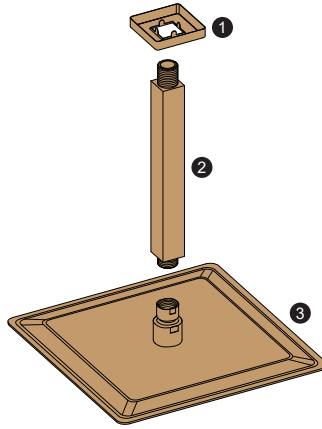


NO.	Name	Quantity
1	Cover	1pcs
2	Shower arm	1pcs
3	Shower head	1pcs
4	Knob	1pcs
5	Handle	1pcs
6	Hexagon screw	2pcs
7	Handle button	2pcs
8	Faceplate	1pcs
9	Screws	4pcs
10	Metal washer	4pcs
11	Shower valve body	1pcs
12	Plastic screw sleeve	4pcs
13	Allen Key	1pcs
14	Hand shower	1pcs
15	Shower holder	1pcs
16	Cover	1pcs
17	Shower hose	1pcs
18	Plastic stopper	2pcs

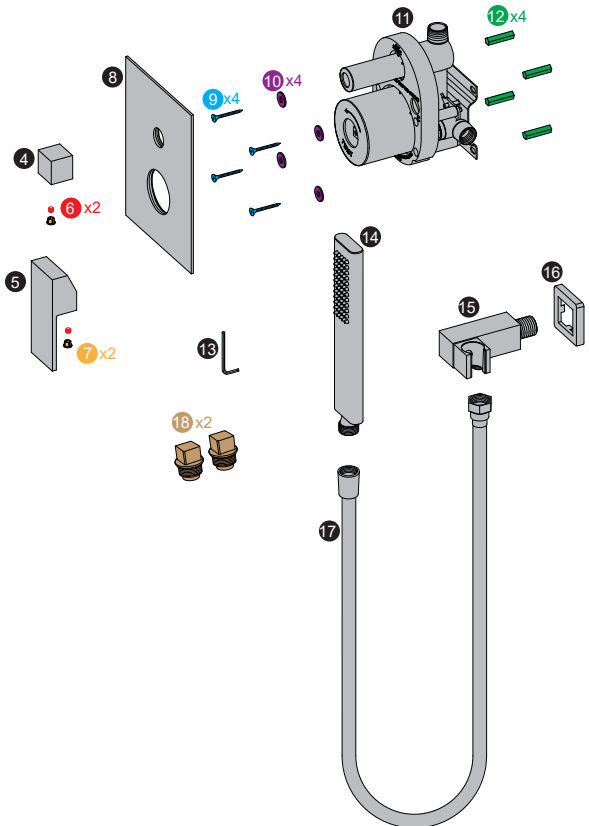


TWO FUNCTION CONCEALED FAUCET ACCESSORIES LIST

Ceiling mounted shower system

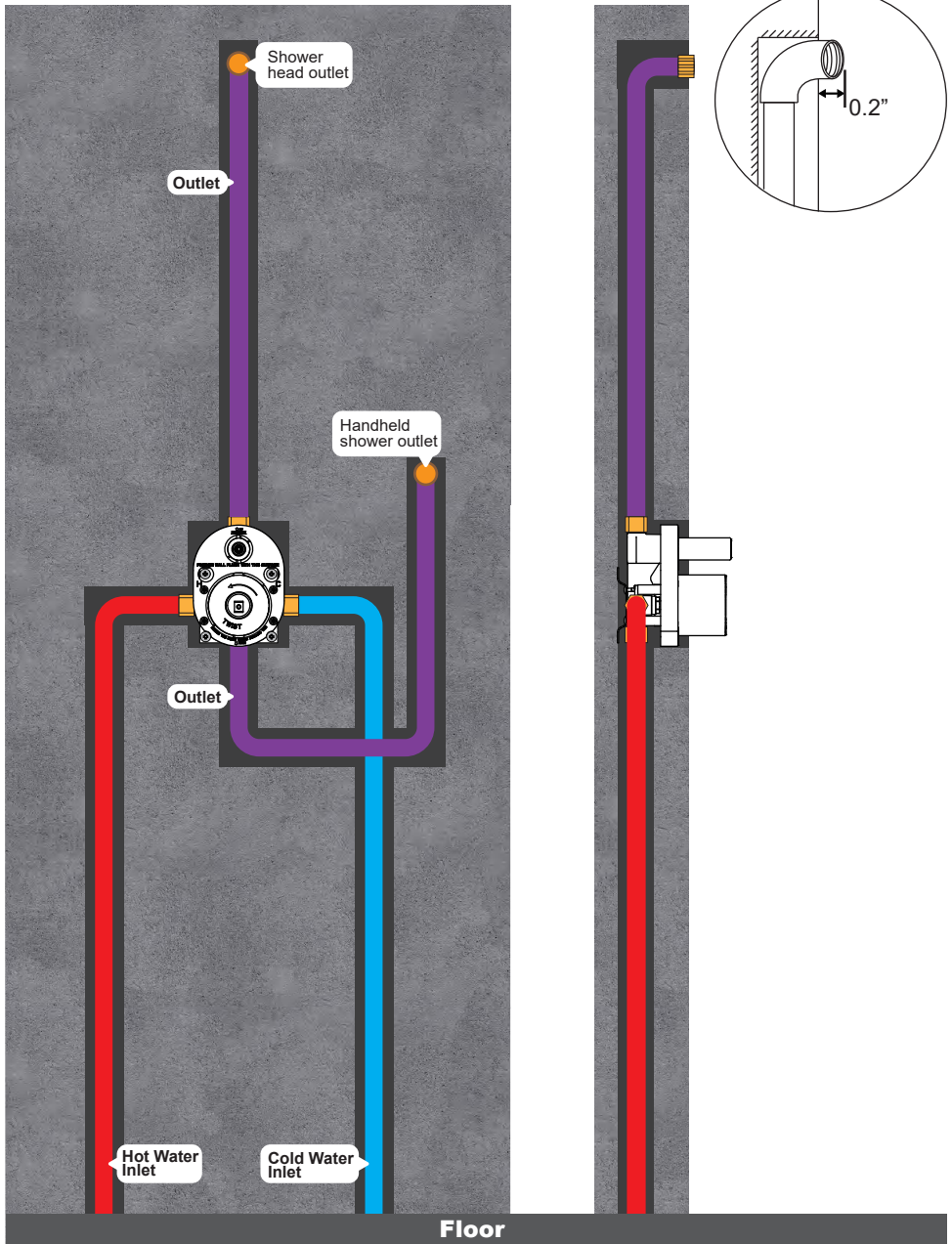


NO.	Name	Quantity
1	Cover	1pcs
2	Shower arm	1pcs
3	Shower head	1pcs
4	Knob	1pcs
5	Handle	1pcs
6	Hexagon screw	2pcs
7	Handle button	2pcs
8	Faceplate	1pcs
9	Screws	4pcs
10	Metal washer	4pcs
11	Shower valve body	1pcs
12	Plastic screw sleeve	4pcs
13	Allen Key	1pcs
14	Hand shower	1pcs
15	Shower holder	1pcs
16	Cover	1pcs
17	Shower hose	1pcs
18	Plastic stopper	2pcs

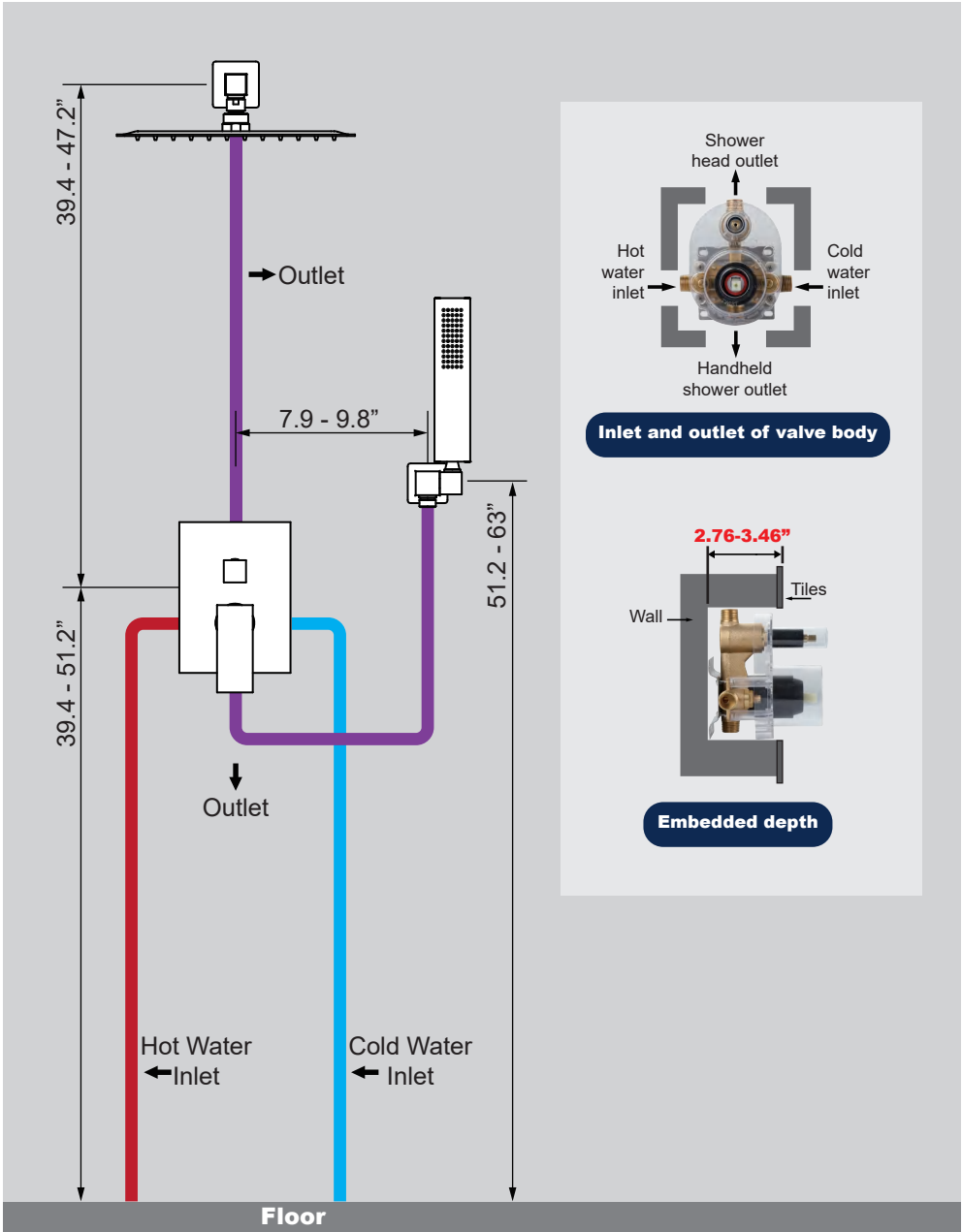


PIPE CONNECTION

Wall mounted shower system

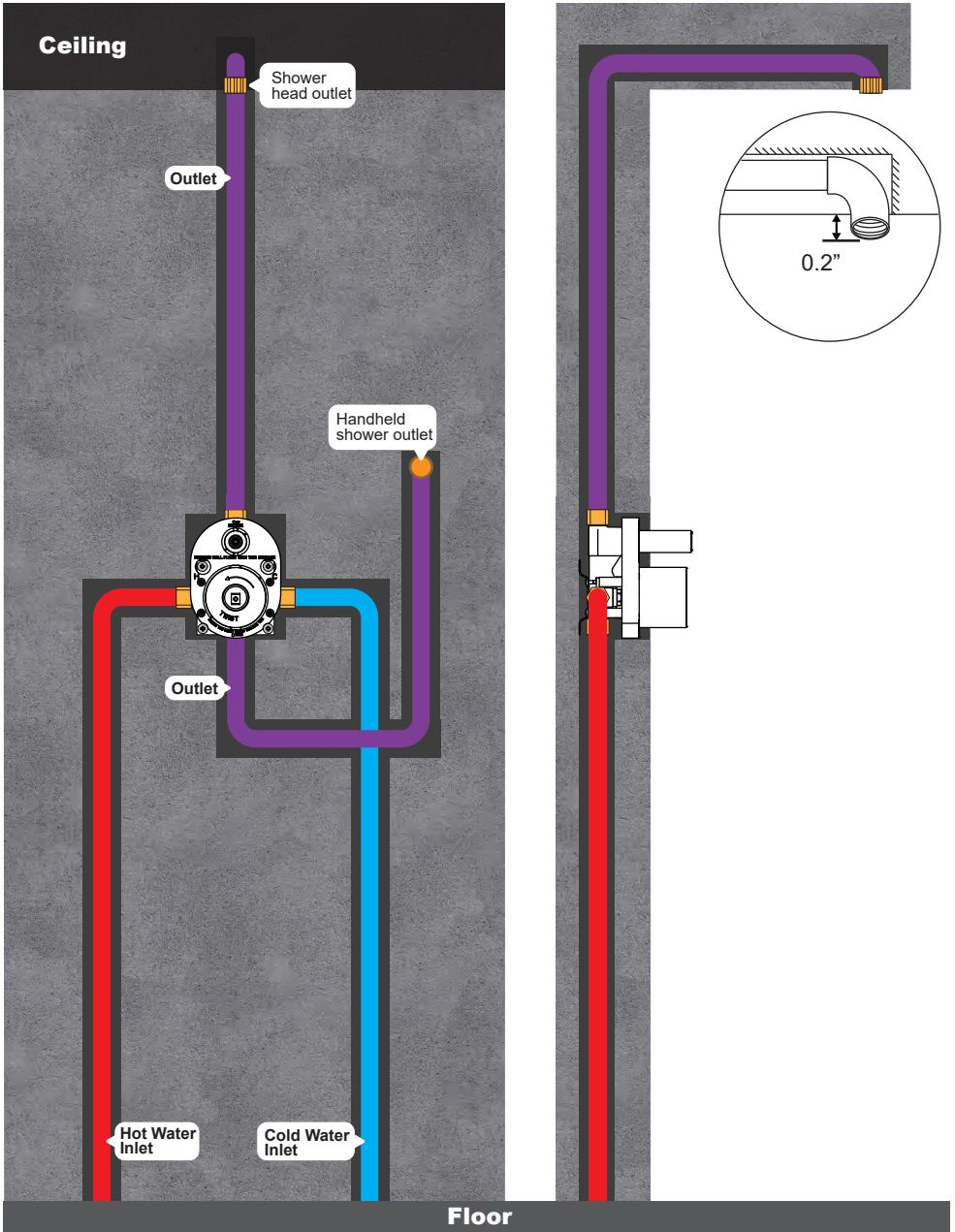


RECOMMENDED DISTANCE FOR INSTALLATION.

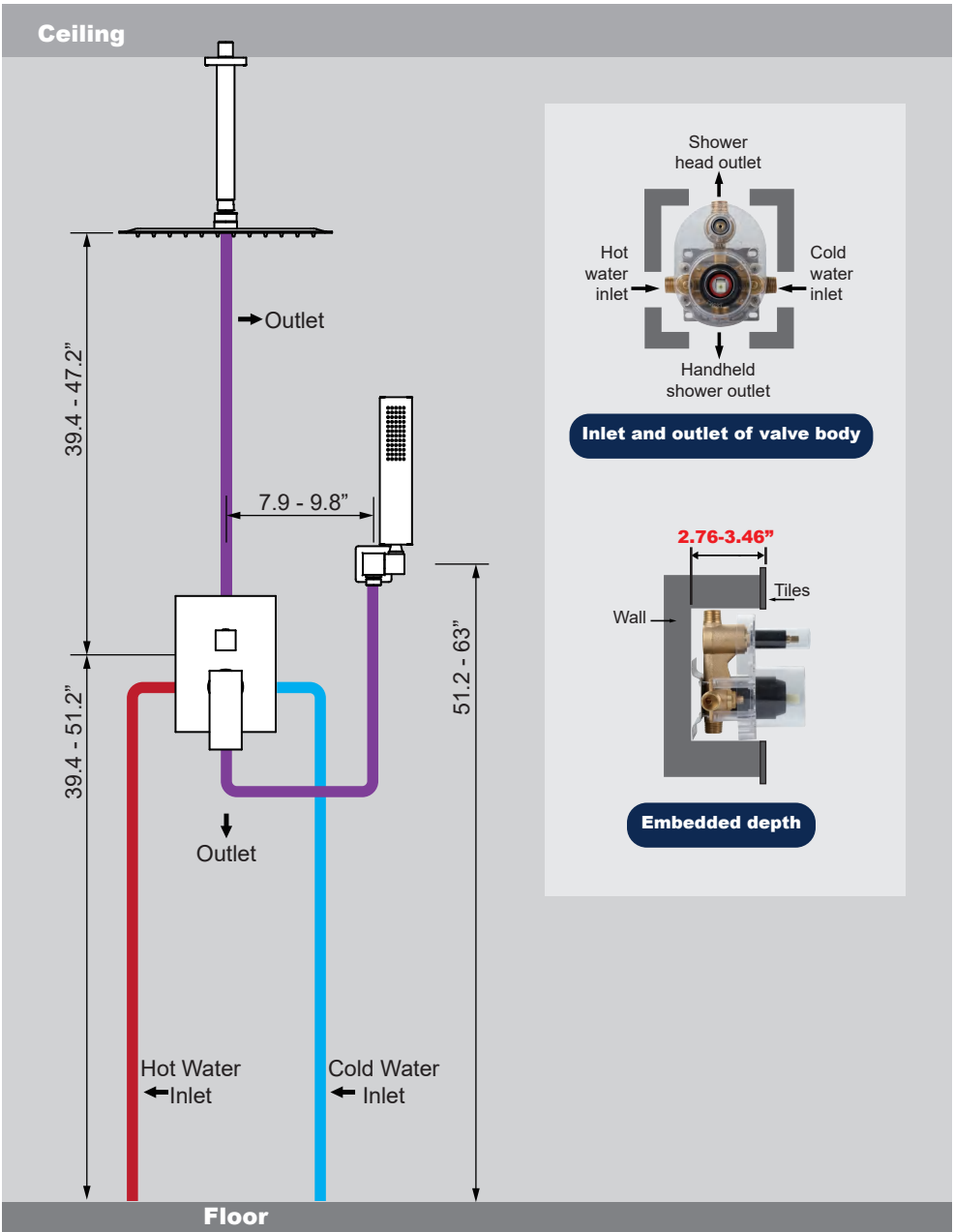


PIPE CONNECTION

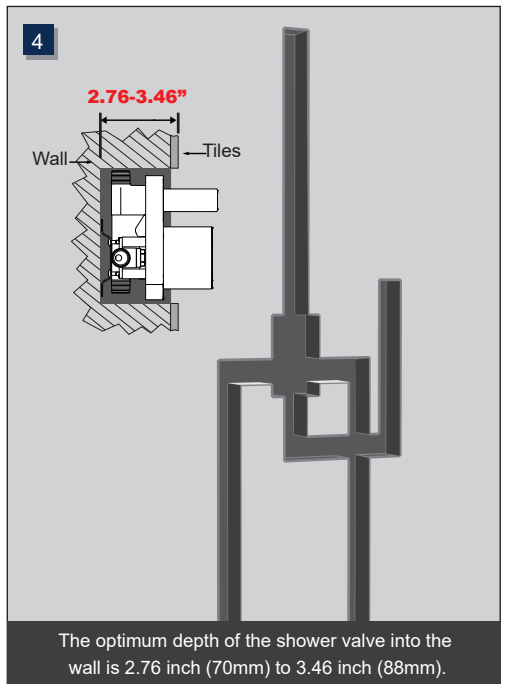
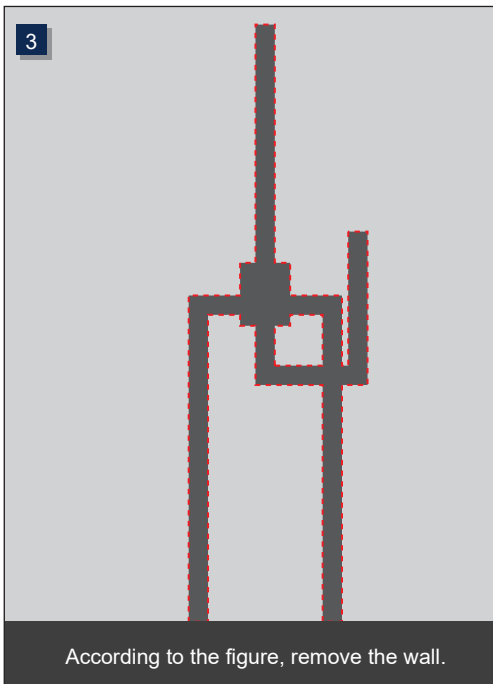
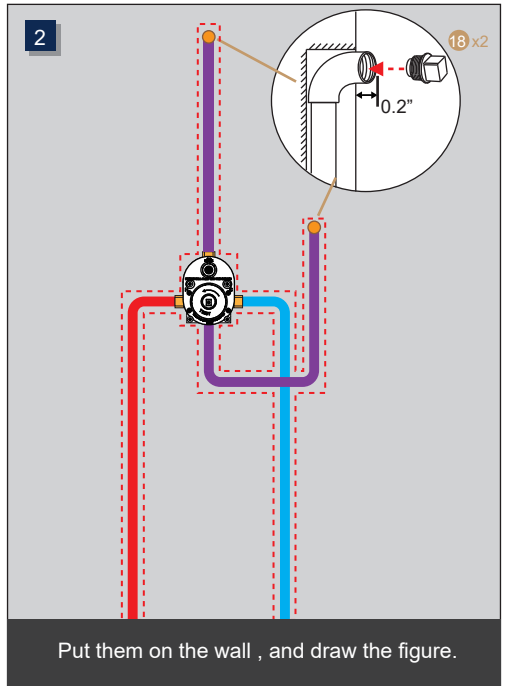
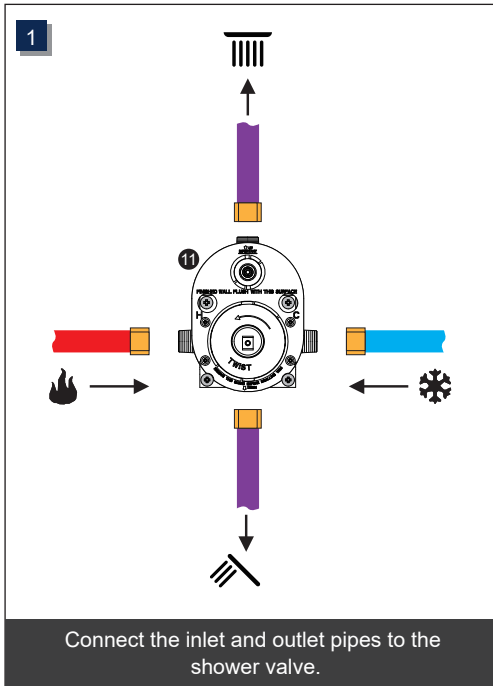
Ceiling mounted shower system



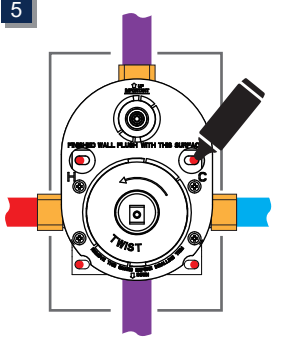
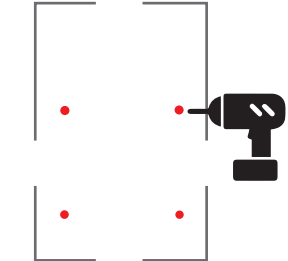
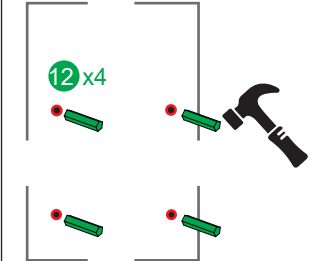
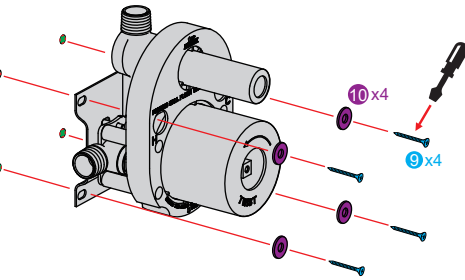
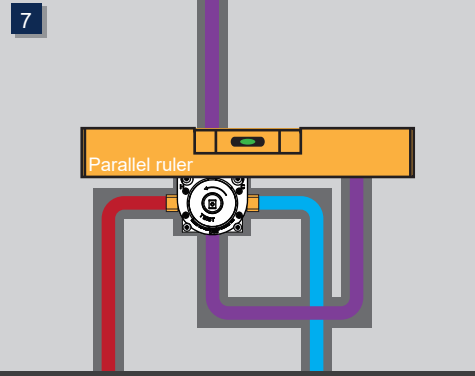
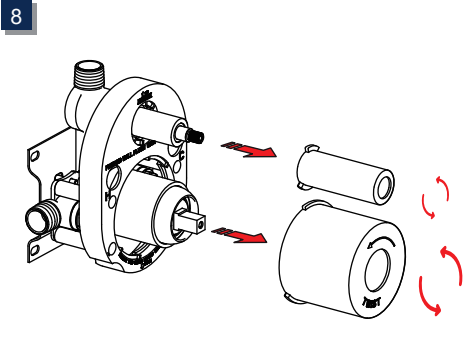
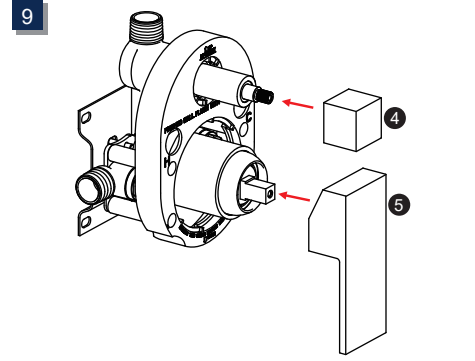
RECOMMENDED DISTANCE FOR INSTALLATION.



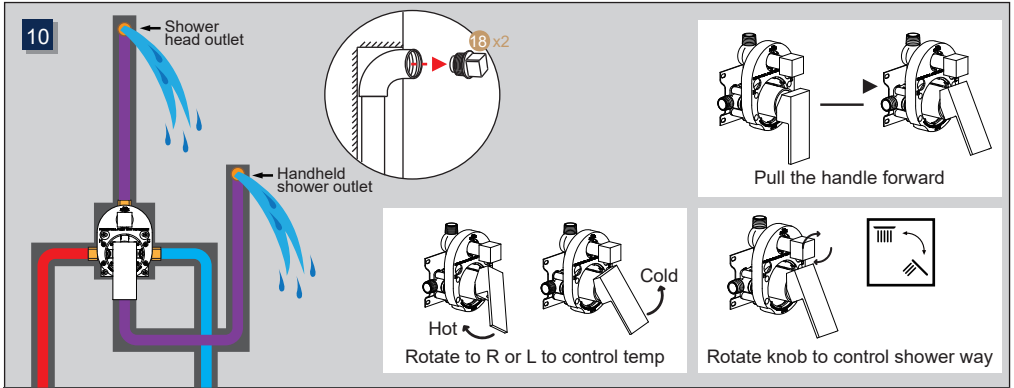
Installation Process



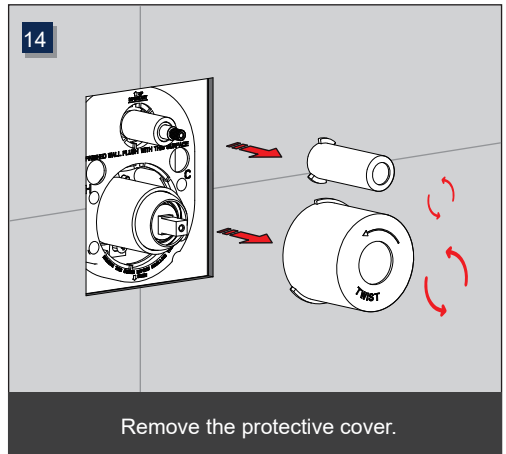
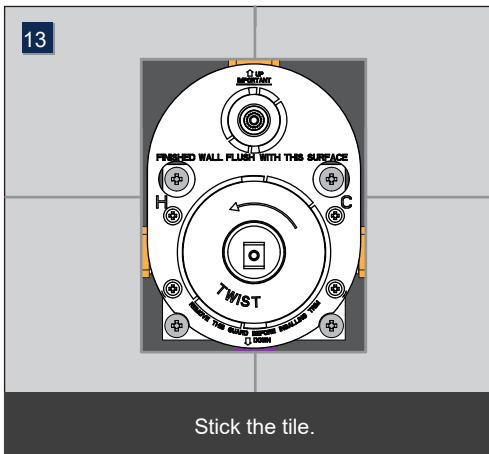
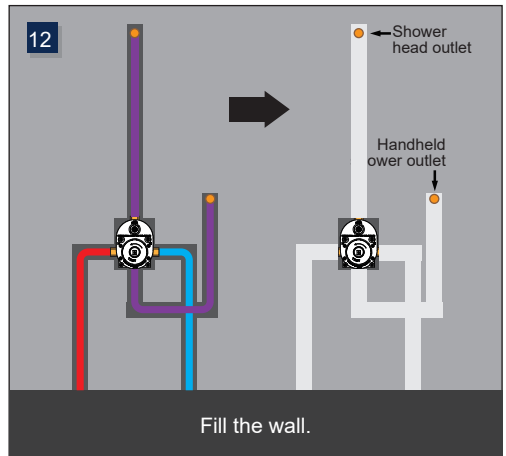
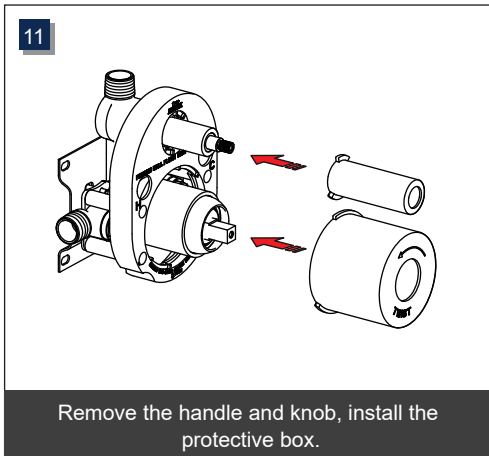
Installation Process

<p>5</p>  <p>Make the marking on the 4 corners of shower valve.</p>	 <p>Drill the hole.</p>	 <p>Install the 4 screw sleeves into wall.</p>
<p>6</p>  <p>Fix the shower valve with screws.</p>	<p>7</p>  <p>Use a parallel ruler to ensure the angle between vertical wall and valve is close to 90 degree.</p>	
<p>8</p>  <p>Remove the protective cover.</p>	<p>9</p>  <p>Install the handle and knob.</p>	

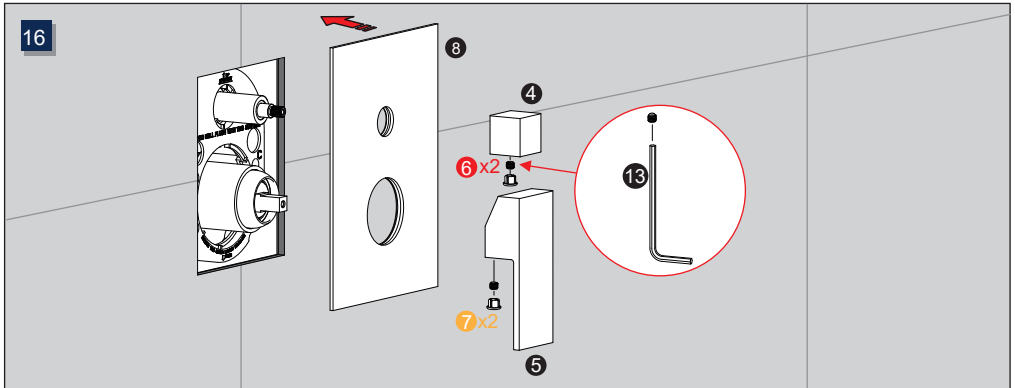
Installation Process



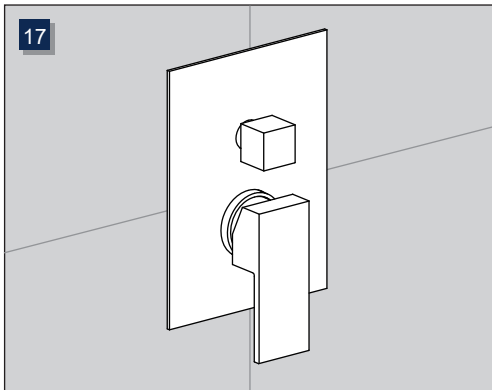
Remove the two stoppers, operate the handle and knob to test if the water pressure is appropriate. Plug all stoppers after test.



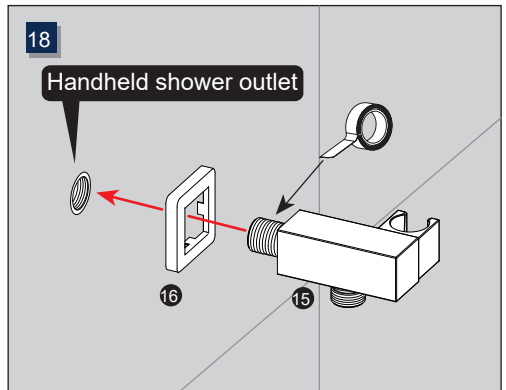
Installation Process



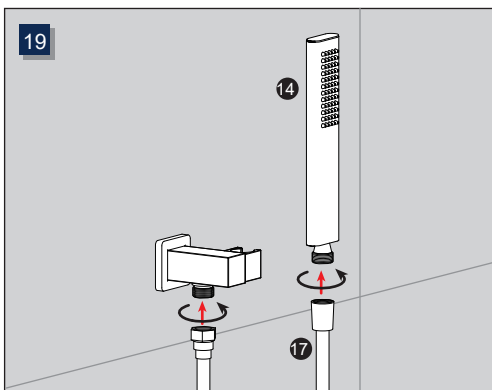
Install the faceplate, knob and handle in sequence.



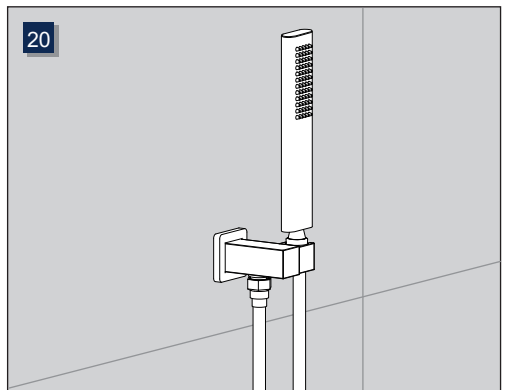
Mixing valve installation completed



Install the cover, shower holder in sequence.



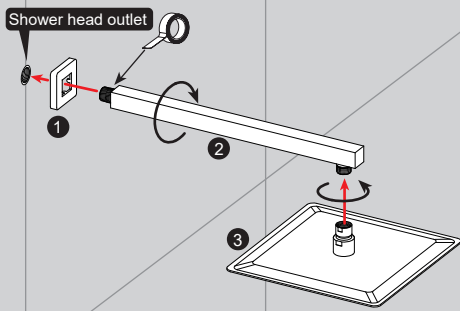
Install the hand held shower and shower hose



Hand held shower installation completed

Installation Process

21 Wall mounted shower system



Shower head outlet

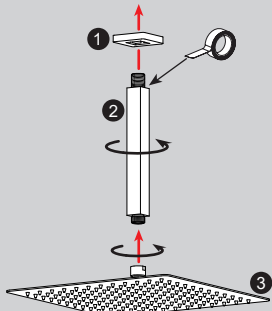
1

2

3

Install the cover, shower arm and shower head in sequence.

23 Ceiling mounted shower system



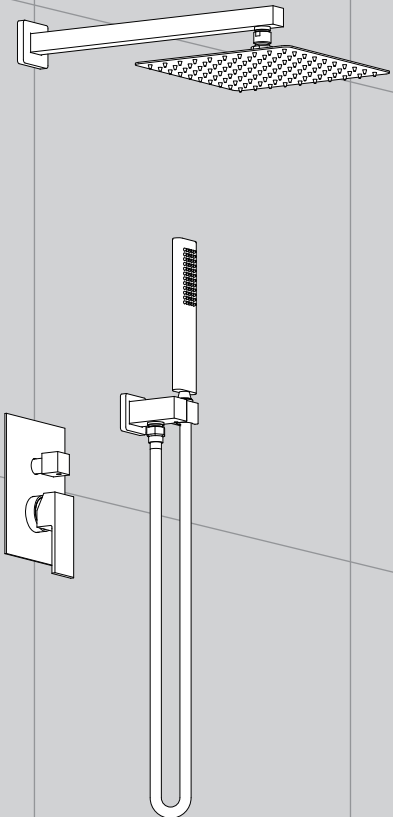
1

2

3

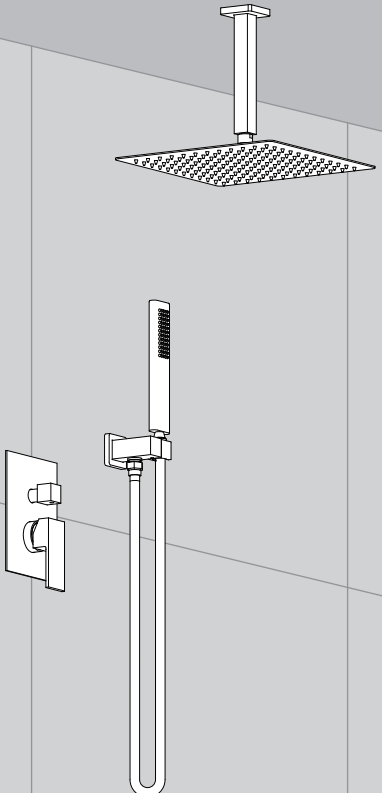
Install the cover, shower arm and shower head in sequence.

22



Finish installation.

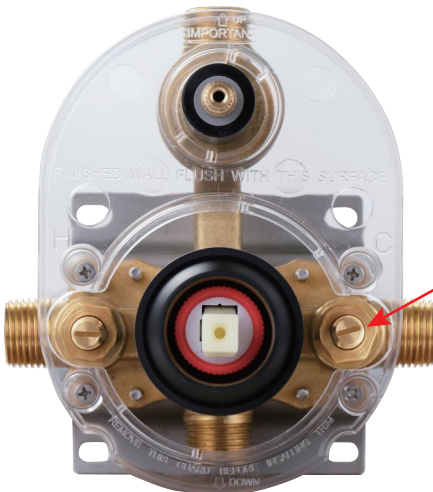
24



Finish installation.

ADJUSTMENT OF CHECK VALVES

The outlet water adjusting device of the left and right sides, it can adjust the water flow rate and close outlet water function when you need to repair/change cartridge.

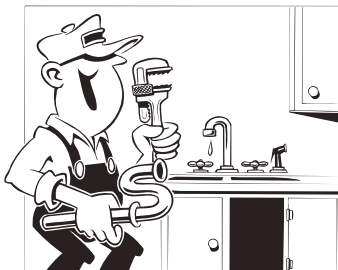


It can close water when you screw clockwise slotted screwdriver on both sides.

Note: If only close one side that it will cause faucet abnormal outlet water, for normal outlet water please make sure the adjusting position on both sides is open (counterclockwise to open).



PRODUCT REPARATION



If the cartridge is worn out which cause leakage, please turn off the water source. Remove the handle, panel, and decorative cover in sequence, remove the gland with a wrench, then take out the cartridge and copper sleeve. Repair or replace the new cartridge, then install it again in sequence.

GUARANTEE

Lifetime warranty, offer free replacement for non-artificial damage within 10 years.

Tenfe Sanitary Co.Ltd. warranty covers this product again manufacturing defects and that is suitable for use under the general operating conditions specified in this instruction sheet.

Any quality problem , please contact us via Tenfe-csc@outlook.com for service.



CLEANING AND MAINTENANCE

Please follow the cleaning material manufacturer's instructions. In addition, pay attention to the following points:

- 1 Regular cleaning can prevent mineral build up on shower head and handheld shower.
- 2 Use a mild detergent such as liquid dishwashing soap and warm water for cleaning.
- 3 Do not use abrasive / harsh chemical when cleaning the fixture as they will damage and dull the finish.
- 4 Carefully read the cleaner product label to ensure the cleaner is safe for use on the material.
- 5 Test the cleaner on a small area before using on the entire surface.
- 6 Do not leave the cleaner on the fixture longer than necessary.
- 7 When using spray cleaners, spray first onto a soft cloth or sponge. Never spray directly onto the faucet as droplets can enter openings and gaps and cause damage.
- 8 After cleaning, rinse thoroughly with clean water to remove any cleaner residue.

Tenfe[®]



Tenfe US After-sales Service Center: Flora St, San Francisco, CA 94124
Response Service within 24 Hours.



Tenfe Official



Tenfe official



Tenfe_offical



Tenfe_offical



Tenfe-csc@outlook.com