

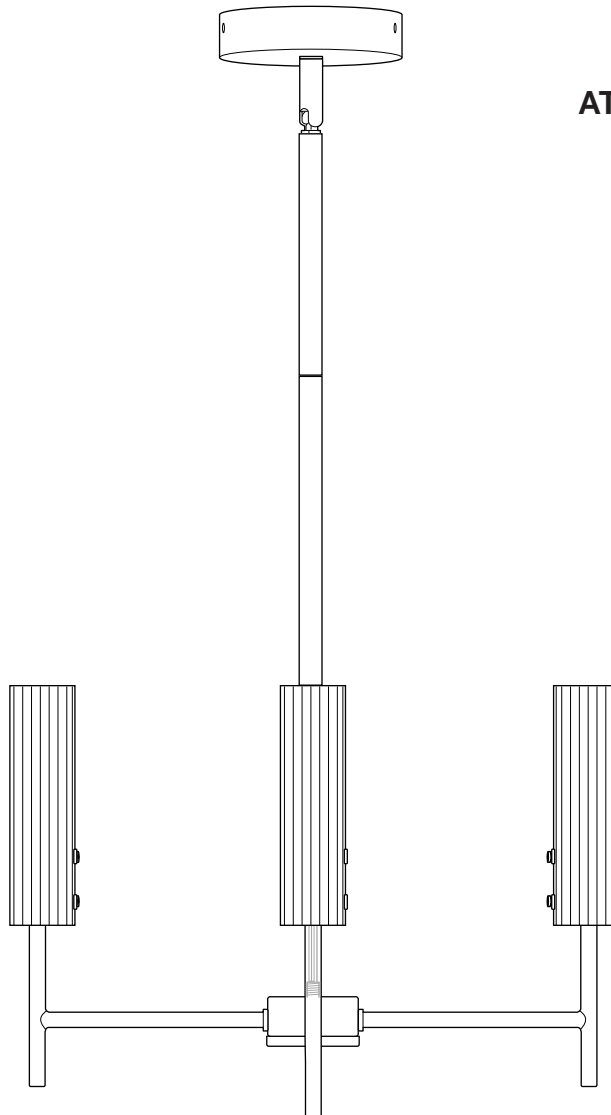
# 4-LIGHT CHANDELIER

MODEL #CHS4BNK

Français p. 12

Español p. 23

ATTACH YOUR RECEIPT HERE



Purchase Date \_\_\_\_\_

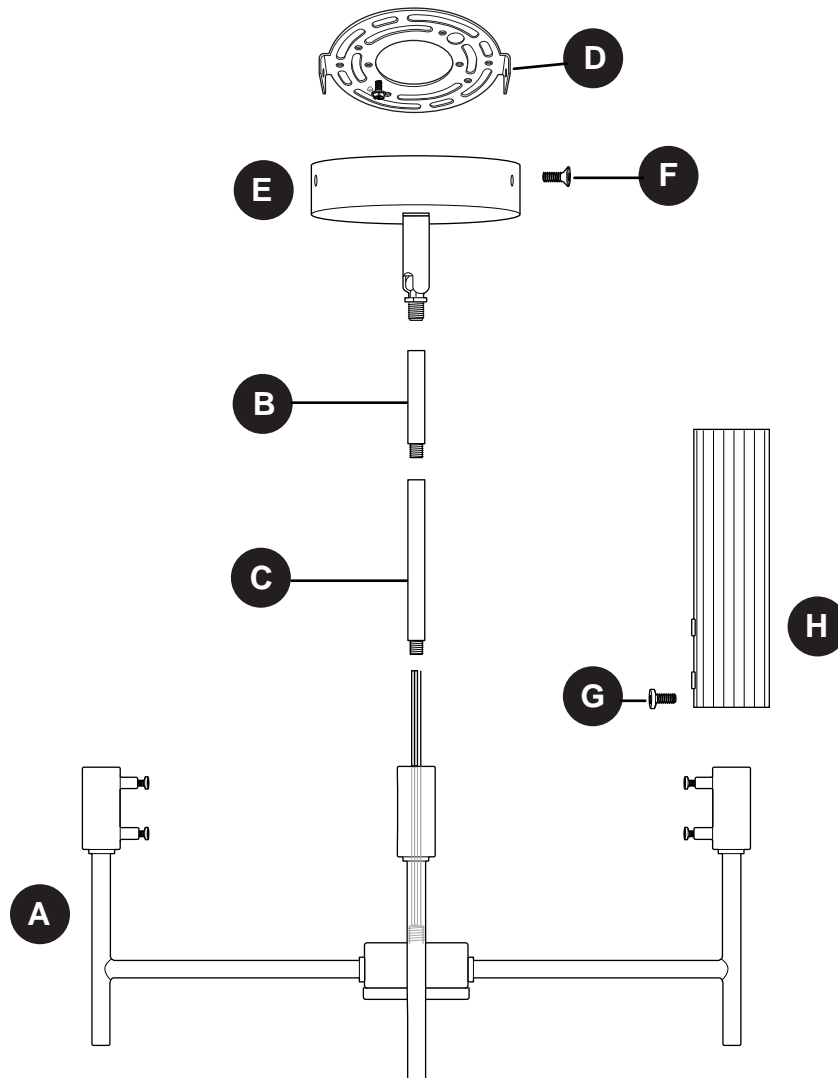
**Questions, problems, missing parts?** Before returning to your retailer, call our customer service department at **1-800-527-1292**, 8:30 a.m. - 5 p.m., CST, Monday - Friday.

## TABLE OF CONTENTS

---

Package Contents .....	3
Hardware Contents .....	4
Safety Information .....	4
Preparation .....	5
Assembly Instructions .....	6
Care and Maintenance .....	11
Troubleshooting .....	11
Warranty .....	11

## PACKAGE CONTENTS

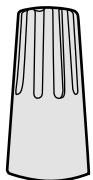


PART	DESCRIPTION	QUANTITY
A	Fixture	1
B	6-inch Rod	2
C	12-inch Rod	4
D	Mounting Plate (preassembled to canopy (E))	1
E	Canopy	1
F	Mounting Plate Screw (preassembled to mounting plate (D))	2
G	Screw (preassembled to fixture (A))	8
H	Glass Shade	4

## HARDWARE CONTENTS (shown actual size)

---

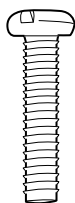
AA



Wire  
Connector

Qty. 3

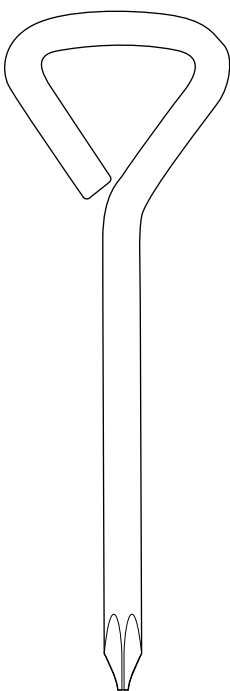
BB



Machine  
Screw

Qty. 2

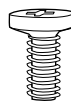
CC



Screwdriver

Qty. 1

DD



Extra Screw  
(for shade)

Qty. 2

## SAFETY INFORMATION

---

### READ AND SAVE THESE INSTRUCTIONS.

#### DANGER

- For your protection and safety, carefully read and understand the information provided in this manual completely before attempting to assemble, install or operate this product. Failure to do so could lead to fire, electrical shock or other injuries that could be hazardous or even fatal.
- DO NOT connect this fixture to an electrical system that does not provide a means for equipment grounding. Never use a fixture in a two-wire system that is not grounded. Installing a fixture into an electrical system not having a proper grounding means could cause metal parts of the fixture to carry electrical currents if any of the fixture wires, wire connections or splices were to become broken, cut or loose during the mounting or normal operation of the fixture. Under this condition, anyone coming in contact with the fixture would be subject to electrical shock, which could cause serious injury or death.
- DO NOT connect the bare or green insulation fixture ground wire to the black (HOT) current-carrying wire or the white (NEUTRAL) house wire. Connection of the bare or green fixture ground wire to the black or white house wires may cause metal parts of the fixture to carry electrical currents. Under this condition, anyone coming in contact with the fixture will receive electrical shock, which could cause serious injury or death.
- DO NOT damage or cut the wire insulation (covering) during installation of fixture. DO NOT permit wires to contact any surface having a sharp edge. To do so may damage or cut the wire insulation, which could lead to serious injury or death from electrical shock.

## SAFETY INFORMATION

---

### WARNING

- All electrical connections must be in agreement with local codes and ordinances, the National Electric Code (NEC) and ANSI/NFPA 70-1999. Contact your municipal building department to learn about your local codes, permits and/or inspections. Risk of fire - most dwellings built before 1985 have supply wire rated for 140°F. Consult a qualified electrician before installation.
- To avoid personal injury, the use of gloves may be necessary while handling fixture parts with sharp edges.
- DO NOT suspend any fixture by the house wires. A fixture must always be mounted directly to an outlet box that is supported by the building structure or to a mounting strap that is first attached to the outlet box. Wire connectors will not support the weight of a fixture. Suspending a fixture by the house wires and wire connectors will result in the fixture falling, with the possibility of personal injury and the danger of electrical shock or fire.
- To reduce the risk of fire, electrical shock or personal injury, wire connectors provided with this light fixture are designed to accept only one 12-gauge house wire and two lead wires from the light fixture. If your house wire is larger than 12-gauge or there is more than one house wire to connect to the corresponding fixture lead wires, consult an electrician for the proper size wire connectors to use.
- To reduce the risk of damage to the fixture, DO NOT use power tools to assemble any part of the fixture.

### CAUTION

- TURN OFF ELECTRICITY at main fuse box (or circuit breaker box) before beginning installation by removing the fuse (or switching the circuit breaker off).
- If you are not sure the lighting system has a grounding means, DO NOT attempt to install this fixture. Contact a qualified, licensed electrician for information regarding the proper grounding methods as required by the local electrical code in your area.
- All fixtures must be mounted to an outlet box that is supported by the building structure.
- DO NOT use bulbs having a wattage greater than the maximum value stated on the fixture. The use of bulbs with higher wattage than specified will increase temperatures and risk of fire.
- If a dimmer control switch is used with this fixture, obtain professional advice to determine the correct type to use as well as the electrical rating required.

## PREPARATION

---

Before beginning assembly of product, make sure all parts are present. Compare parts with package contents list and hardware contents list. If any part is missing or damaged, do not attempt to assemble the product.

### **Estimated Assembly Time: 45 minutes**

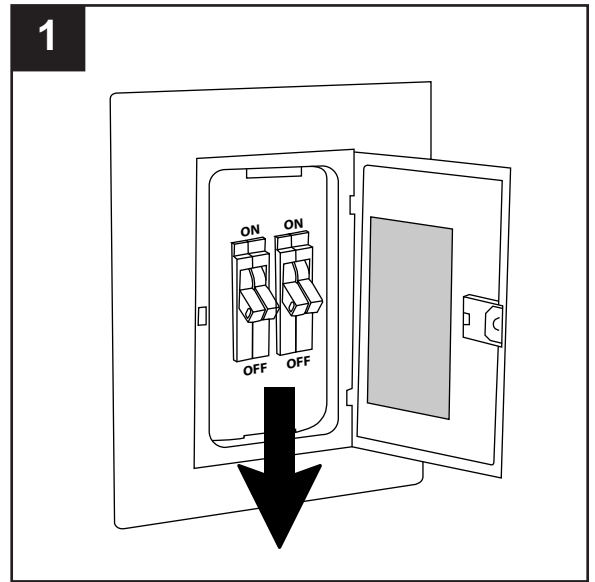
Tools Required for Assembly (not included): Flathead Screwdriver, Phillips Screwdriver, Wire Strippers, Pliers, Wire Cutters, Safety Glasses, Stepladder, Electrical Tape

Helpful Tools (not included): A/C Tester Light, Do-It-Yourself Guide, Soft Cloth

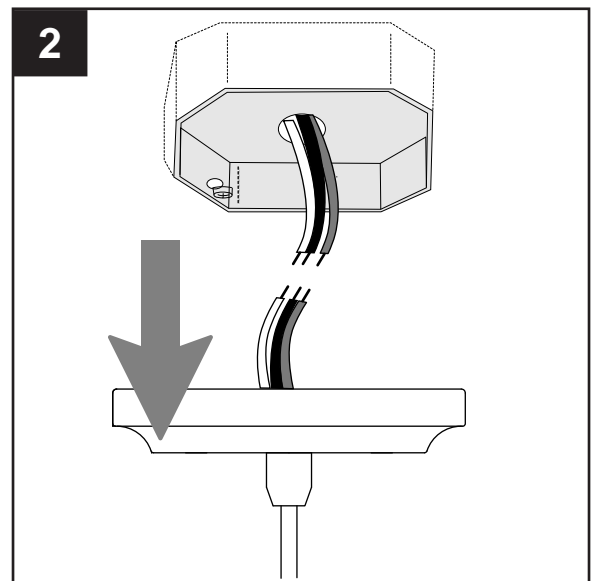
## ASSEMBLY INSTRUCTIONS

1. Turn off circuit breakers and wall switch to the fixture supply line leads.

**⚠ DANGER:** Failure to disconnect power supply prior to installation may result in serious injury or death.

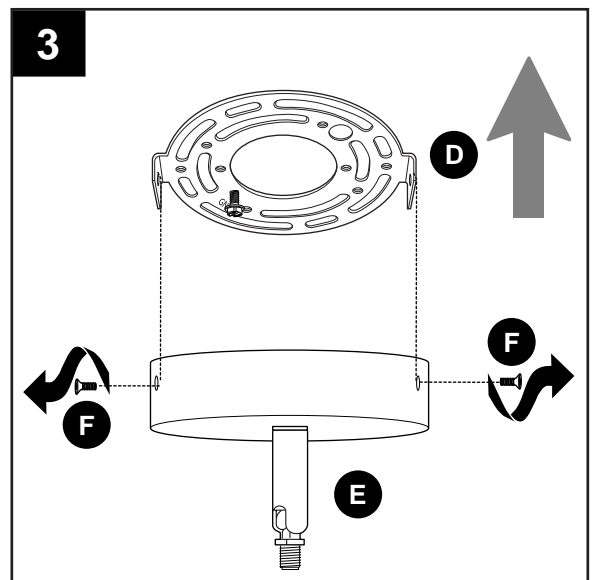


2. Remove existing fixture and disconnect all electrical wiring.



3. Remove mounting plate (D) from canopy (E) by removing mounting plate screws (F) from the edges of the canopy (E).

Save mounting plate screws (F) for later use.



## ASSEMBLY INSTRUCTIONS

4. Attach mounting plate (D) to outlet box (not included) using existing washers and outlet box screws or the machine screws (BB). **NOTE:** If the outlet box screws required for your outlet box are of a different size than the machine screws (BB), consult a licensed electrician before proceeding.

Tighten machine screws (BB) to secure mounting plate (D) to outlet box.

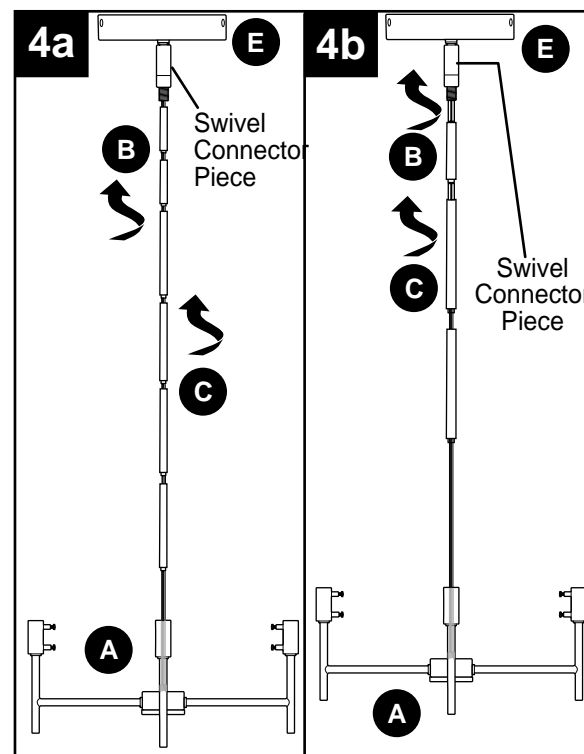
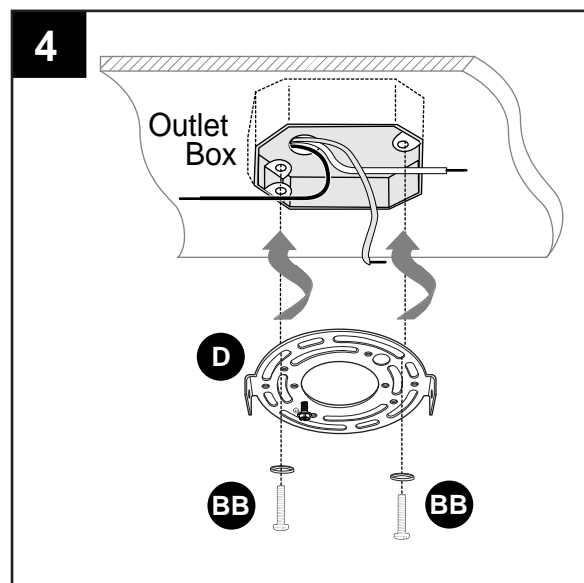
**⚠ CAUTION:** Make sure the outlet box can support 35 lbs. hanging weight. Use *metal* outlet box; plastic outlet boxes are not recommended.

### Hardware Used

**BB** Machine Screw  x 2

- 4a. **If you wish to use the fixture (A) with all six rods**, thread wires from fixture (A) through all 12-inch rods (C) and both 6-inch rods (B). Secure all rods (B and C) by screwing the ends of each one together. Be sure rods are completely connected, then carefully thread the wires through the swivel connector piece on the underside of the canopy (E). **[NOTE: Wires must go through the sleeve when threading them through the swivel connector piece.]** Pull wires completely through top of canopy (E) and then secure last rod to underside of canopy (E). Be sure all rods are completely secure before proceeding to Step 5.

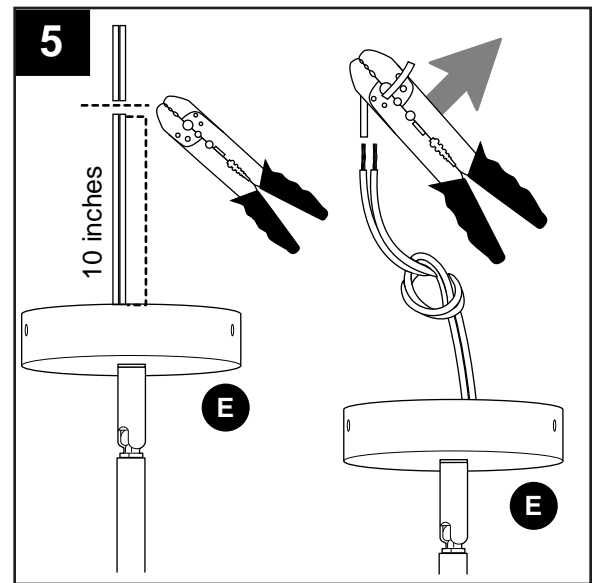
- 4b. **If you wish to use the fixture (A) with fewer rods or a combination of both rod sizes**, decide which rods (B and C) will be used. Then, thread wires from fixture (A) through 12-inch rod(s) (C) and/or the 6-inch rod(s) (B). Secure all rods (B and C) by screwing the ends of each one together. Be sure rods are completely connected, then carefully thread the wires through the swivel connector piece on the underside of the canopy (E). **[NOTE: Wires must go through the sleeve when threading them through the swivel connector piece.]** Pull wires completely through top of canopy (E) and then secure last rod to underside of canopy (E). Be sure all rods are completely secure before proceeding to Step 5.



## ASSEMBLY INSTRUCTIONS

5. Depending on the number of rods used, you may need to cut the excess wire. You will need at least 10 inches of wire to work with.

Prepare wire by stripping 1/2 in. of insulation from wire ends using wire strippers (not included). Tie wire into a knot.

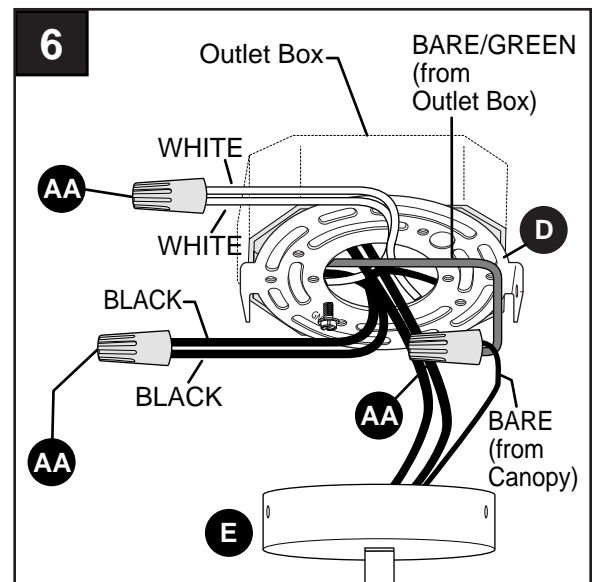


6. Connect BARE/GREEN ground wire from outlet box to BARE wire from canopy (E) using wire connector (AA). Connect WHITE wire from fixture (A) to WHITE wire from outlet box using existing wire connector or wire connector (AA). Connect BLACK wire from fixture (A) to BLACK wire from outlet box using existing wire connector or wire connector (AA).

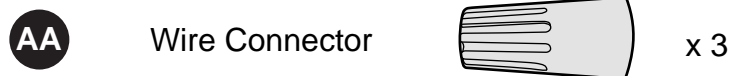
**NOTE:** Screw wire connectors (AA) on in a clockwise direction.

**! WARNING:** Never connect ground wire to white or black power supply wires.

**! WARNING:** To reduce the risk of fire, electrical shock, or personal injury, wire connectors (AA) provided with this light fixture are designed to accept only one 12-gauge house wire and two lead wires from the light fixture. If your house wire is larger than 12-gauge or there is more than one house wire to connect to the corresponding fixture lead wires, consult an electrician for the proper size wire connectors to use.



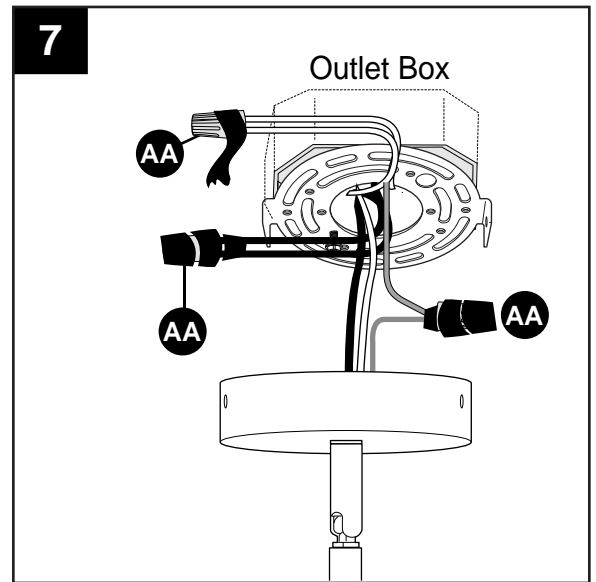
### Hardware Used



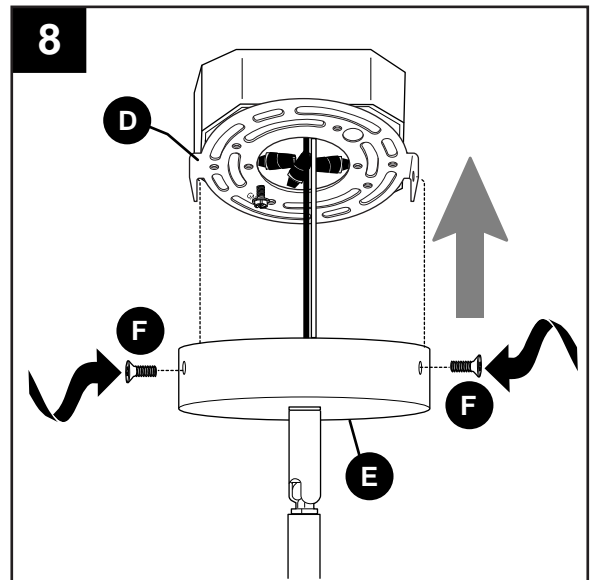
## ASSEMBLY INSTRUCTIONS

7. Wrap electrical tape (not included) around each individual wire connector (AA) down to the wire. Gently push wire connectors (AA) and excess wiring back into outlet box.

**⚠ WARNING:** Make sure no bare wire or wire strands are visible after making connections.

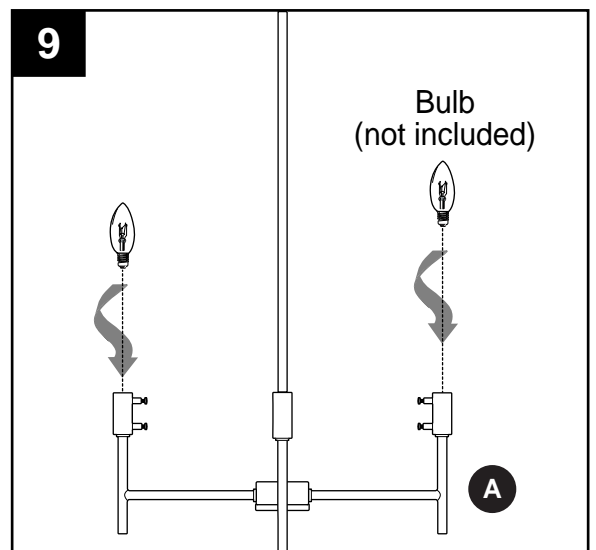


8. Align holes in edge of canopy (E) with holes on edge of mounting plate (D). Attach canopy (E) to mounting plate (D) using the mounting plate screws (F) previously removed (Step 3, Page 6).



9. Install four 40-watt max. candelabra-base incandescent bulbs, size B10, (not included) or CFL/LED equivalent.

**⚠ WARNING:** When replacing bulbs, allow bulbs, glass shades and fixture to cool down before touching.

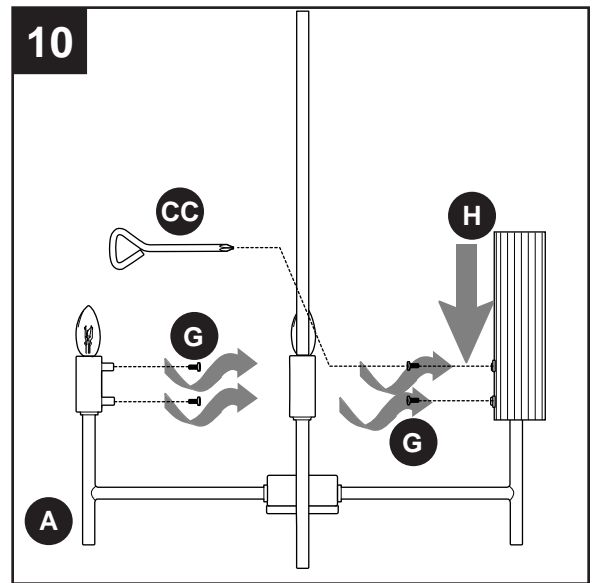


## ASSEMBLY INSTRUCTIONS

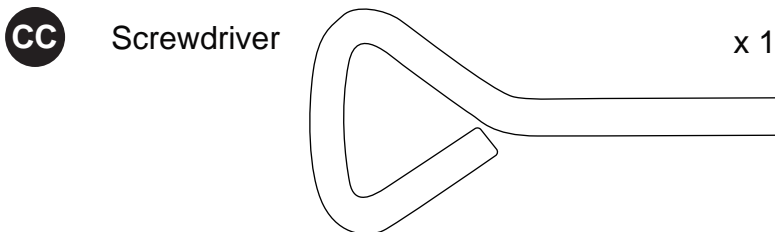
10. Using screwdriver (CC), remove screws (G) from sockets of fixture (A). Attach glass shades (H) to sockets, securing with screws (G).

**! WARNING:** To reduce the risk of breakage, DO NOT use power tools to attach the glass shades (H).

**! WARNING:** DO NOT overtighten screws (G) as they may crack.

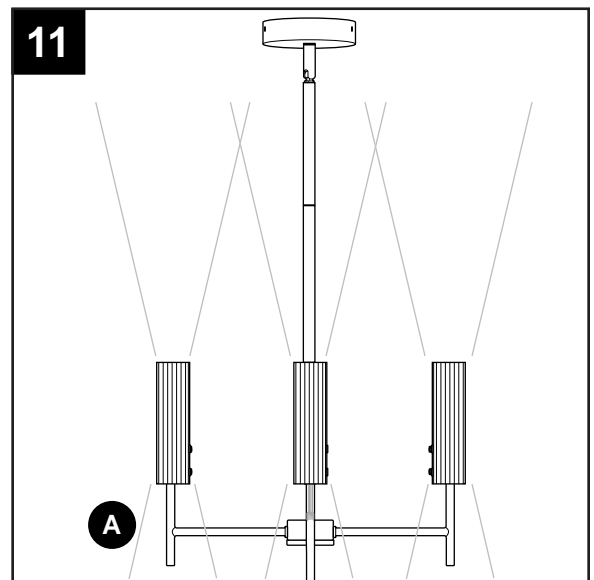


### Hardware Used



11. Restore power and test fixture (A).

If lights do not function, please refer to TROUBLESHOOTING on the following page.



## CARE AND MAINTENANCE

---

- Shut off main power supply. Wipe fixture with soft, damp cloth. Use window cleaner to clean glass. Do not use an abrasive cleaner on glass or fixture.

## TROUBLESHOOTING

---

**⚠ WARNING:** Before beginning work, shut off the power supply to avoid electrical shock.

PROBLEM	POSSIBLE CAUSE	CORRECTIVE ACTION
Bulb(s) will not light.	<ol style="list-style-type: none"><li>1. Bulb(s) is/are burned out.</li><li>2. Power is OFF.</li><li>3. Faulty connection.</li></ol>	<ol style="list-style-type: none"><li>1. Replace light bulb(s).</li><li>2. Make sure power supply is ON.</li><li>3. Check wiring and all connections.</li></ol>
Fuse blows out or circuit breaker trips.	<ol style="list-style-type: none"><li>1. Crossed wires.</li><li>2. Power wire is grounding out.</li></ol>	<ol style="list-style-type: none"><li>1. Check wiring.</li><li>2. Check all connections.</li></ol>

## WARRANTY

---

The distributor warrants all of its lighting fixtures against defects in materials and workmanship for one (1) year from the date of purchase. If within this period the product is found to be defective, take a copy of the bill of sale as a proof of purchase and the product in its original carton to the place of purchase. The distributor will, at its option, repair, replace or refund the purchase price to the consumer. All costs of installation and removal of the fixture is the responsibility of the consumer. This warranty does not cover fixtures becoming defective due to misuse, accidental damage or improper handling and/or installation and specifically excludes liability for direct, incidental or consequential damages. As some states do not allow exclusions or limitations on an implied warranty, the above exclusion and limitation may not apply. This warranty gives you specific rights and you may also have other rights which may vary from state to state.