

Read this instruction carefully. See hardware and furniture part list for guidance. Be sure all parts are complete, before you assemble. Place all wooden furniture parts on a clean and flat soft surface to prevent from being scratched. Follow the figure to start assembling.

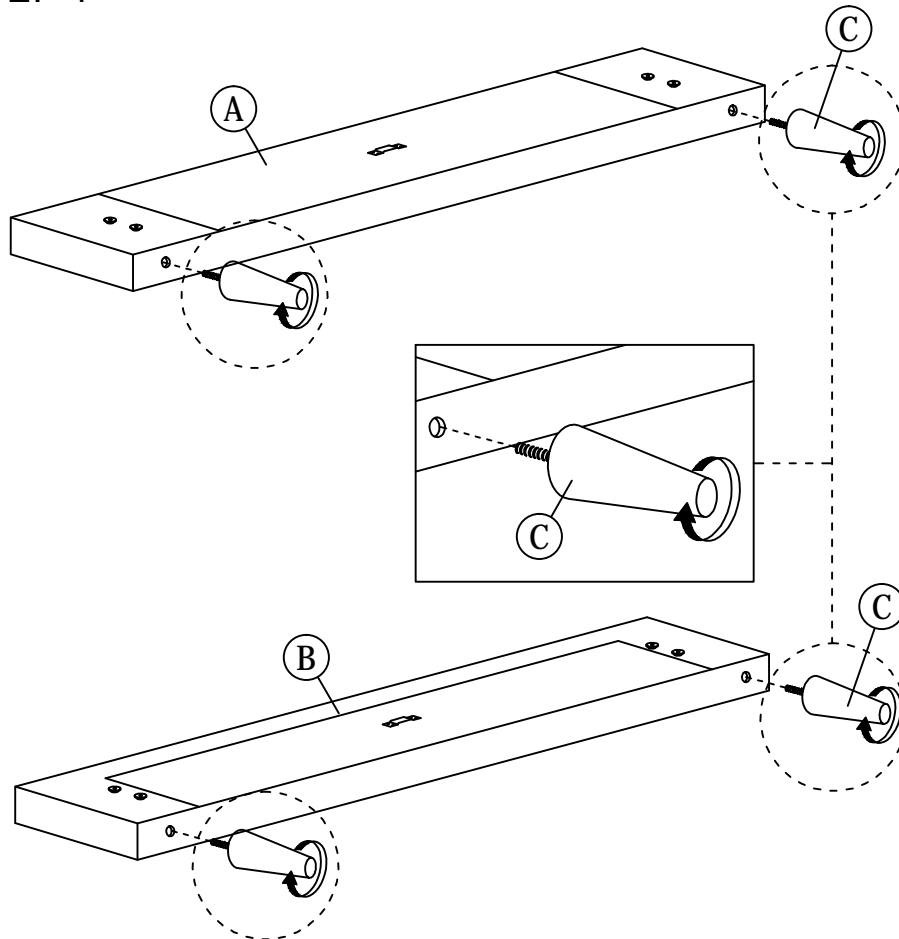
**CAUTION :** 1. Do not FULLY - TIGHTEN the nuts or nut bolts until they are ready for assembly.  
 2. Do not OVER - TIGHTEN the nuts or bolts to avoid causing damages to the thread.  
 3. Keep all hardware parts out of reach of children.

**NOTE :** THE LIST AND QUANTITY SHOWN ARE FOR 1 UNIT ASSEMBLY.  
 Tools needed : Screwdriver & Rubber Mallet (not provided).

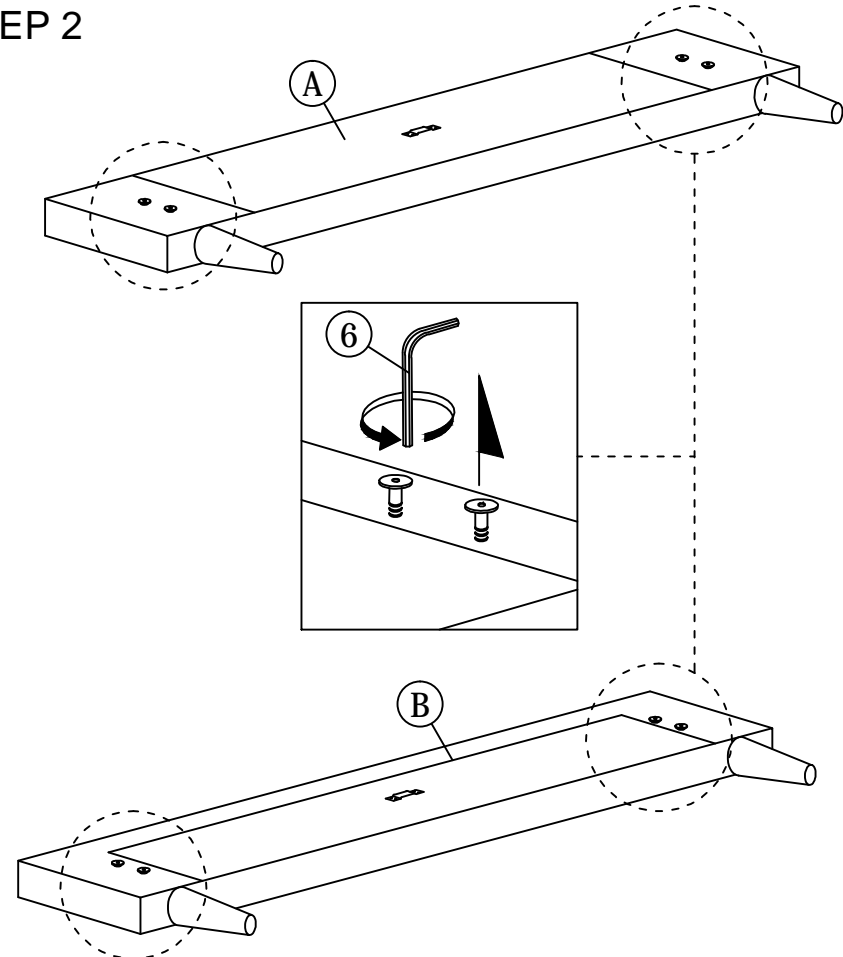
PART LIST		
ITEM	DESCRIPTION	QTY
A	HEADBOARD PANEL	1 PC
B	FOOTBOARD	1 PC
C	BED LEG	4 PCS
D	SIDE RAIL	2 PCS
E	HEADBOARD SUPPORT WOOD	2 PCS
F	HEADBOARD	1 PC
G	CENTER RAIL	1 PC
H	CENTER RAIL LEG	3 PCS
I	BED SLAT	1 SET

HARDWARE LIST		
ITEM	DESCRIPTION	QTY
1	JCBB BOLT M8 x 60mm	8 PCS
2	M8 FLAT WASHER	8 PCS
3	M8 SPRING WASHER	8 PCS
4	WOOD SCREW M4 x 20mm	2 PCS
5	WOOD SCREW M4 x 38mm	9 PCS
6	M5 ALLEN KEY (BALL SHAPE)	1 PCS

## STEP 1

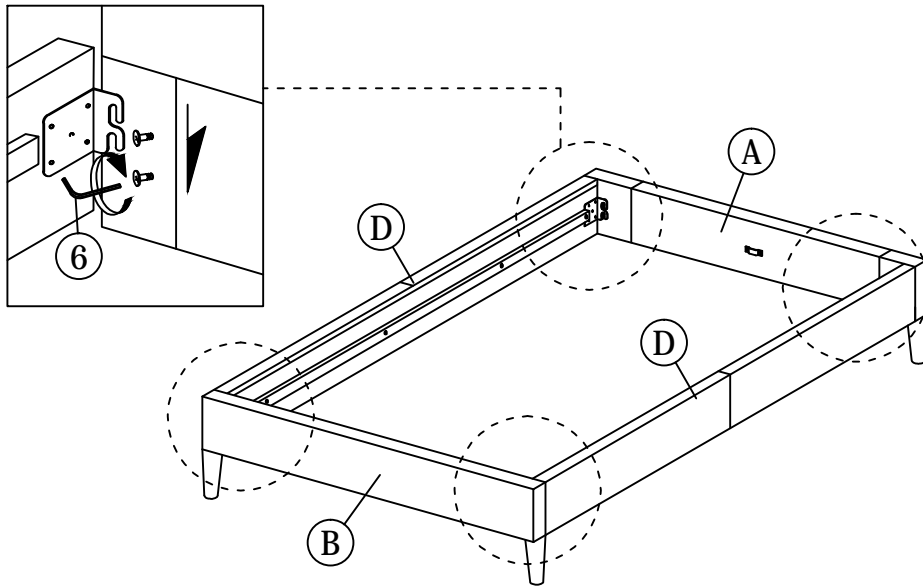


## STEP 2



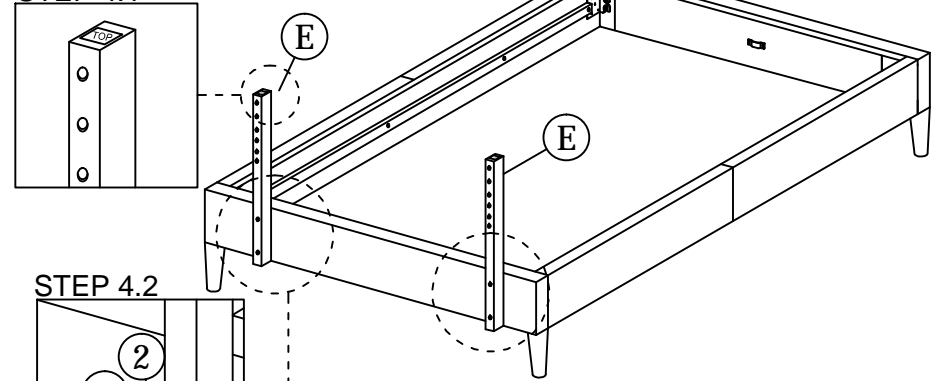
# ASSEMBLY INSTRUCTIONS

## STEP 3

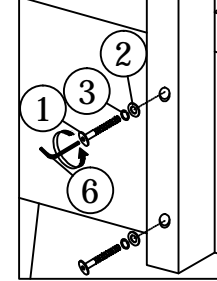


## STEP 4

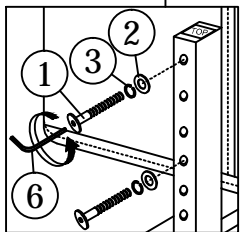
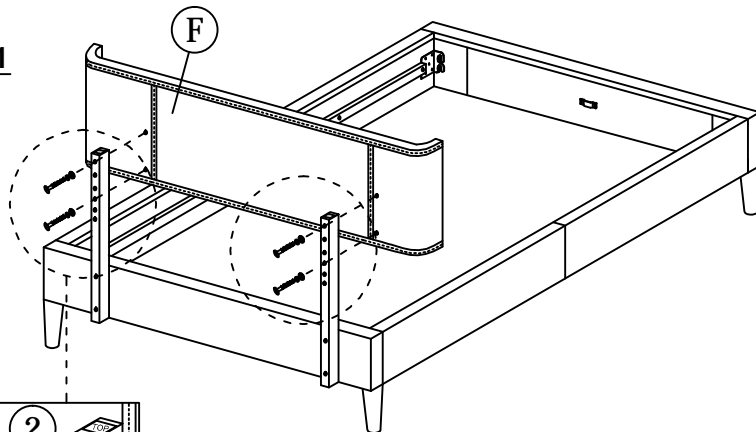
### STEP 4.1



### STEP 4.2

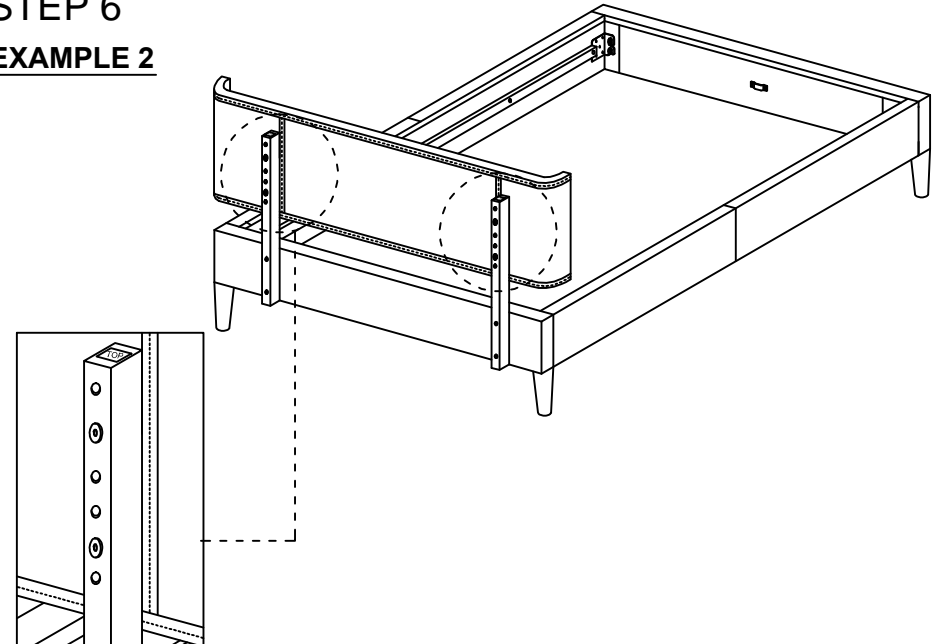


## STEP 5 EXAMPLE 1



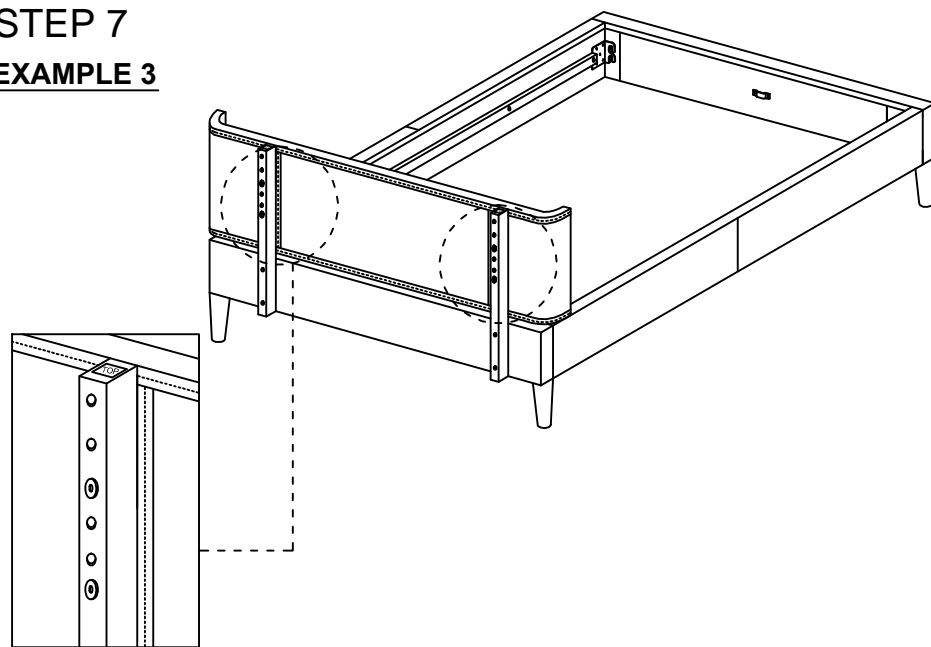
**HEADBOARD SUPPORT WOOD HOLES  
ACCORDING TO YOUR DESIRED  
HEADBOARD HEIGHT**

## STEP 6 EXAMPLE 2

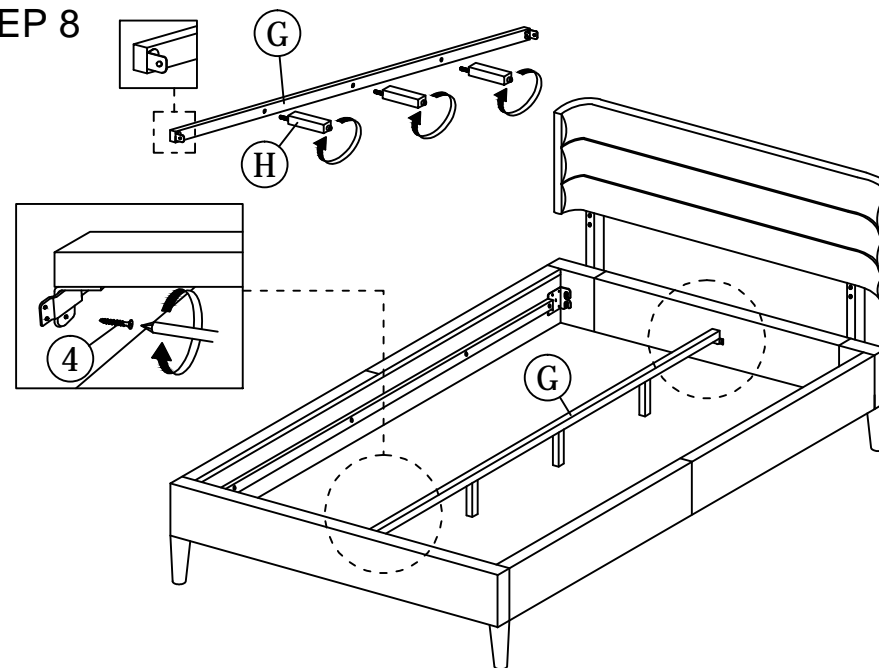


# ASSEMBLY INSTRUCTIONS

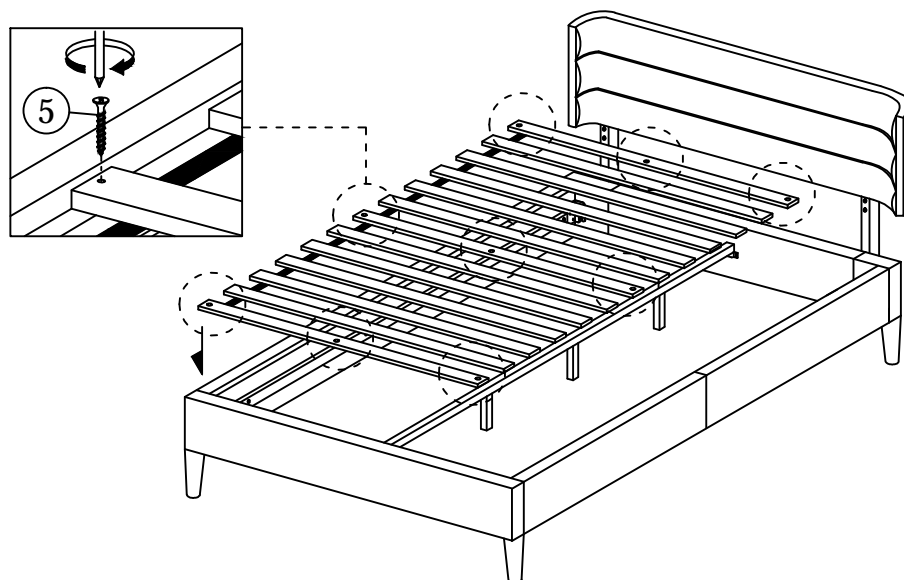
## STEP 7 EXAMPLE 3



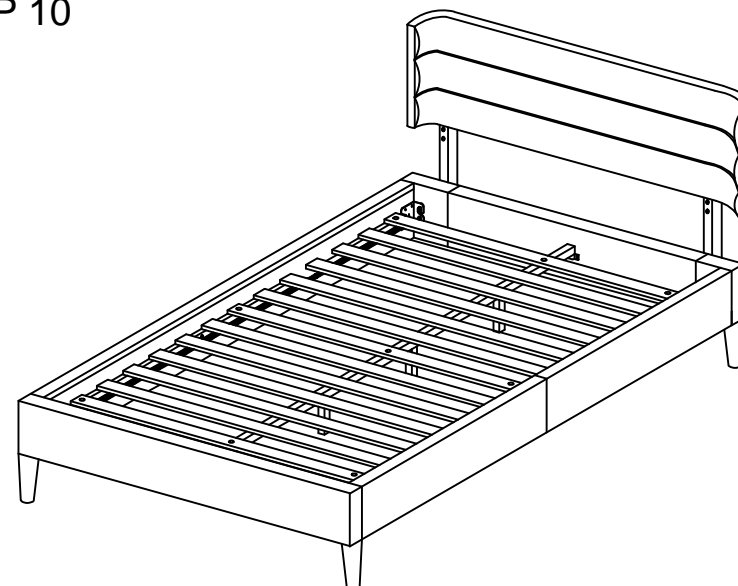
## STEP 8



## STEP 9



## STEP 10



\* When moving the bed position, the center support legs must be adjusted or straightened to avoid any broken problems.