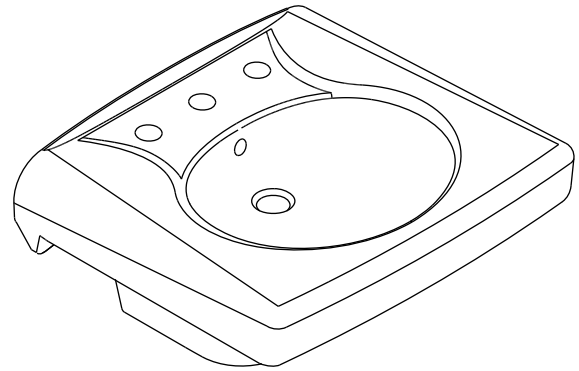


Features

- Vitreous china
- Wall-mount
- With hanger
- With overflow
- Drilled for concealed arm carrier
- 8" (203 mm) centers (-8), 4" (102 mm) centers (-4), or single-hole (-1)
- Optional soap dispenser hole on left (-L) or right (-R) (single-hole models only)
- 21-15/16" (557 mm) x 19-3/4" (502 mm)

WALL-MOUNT BATHROOM SINK WITH SHROUD K-1999

ADA	TAS
CSA B651	OBC



Codes/Standards Applicable

Specified model meets or exceeds the following:

- ADA
- ICC/ANSI A117.1
- TAS
- CSA B651
- OBC
- ASME A112.19.2/CSA B45.1

Colors/Finishes

- 0: White
- CP: Polished Chrome
- Other: Refer to Price Book for additional colors/finishes

Specified Model

Model	Description	Colors/Finishes	
K-1999-1	Wall-mount bathroom sink with shroud – single-hole less soap dispenser hole	<input type="checkbox"/> 0	<input type="checkbox"/> Other____
K-1999-1L	Wall-mount bathroom sink with shroud – single-hole with soap dispenser hole on left	<input type="checkbox"/> 0	<input type="checkbox"/> Other____
K-1999-1R	Wall-mount bathroom sink with shroud – single-hole with soap dispenser hole on right	<input type="checkbox"/> 0	<input type="checkbox"/> Other____
K-1999-4	Wall-mount bathroom sink with shroud – 4" (102 mm) centers, less soap dispenser hole	<input type="checkbox"/> 0	<input type="checkbox"/> Other____
K-1999-8	Wall-mount bathroom sink with shroud – 8" (203 mm) centers less soap dispenser hole	<input type="checkbox"/> 0	<input type="checkbox"/> Other____

Additional lavatories are available without an overflow. Please refer to the Kohler Price Book.

Optional Accessories			
K-8998	P-trap	<input type="checkbox"/> CP	<input type="checkbox"/> Other____

Product Specification

The wall-mount bathroom sink shall be made of vitreous china. Product shall be 21-15/16" (557 mm) in length and 19-3/4" (502 mm) in width and available with 8" (203 mm) centers (-8), 4" (102 mm) centers (-4), or single-hole (-1). Product shall feature an overflow and hanger and be drilled for a concealed arm carrier. Product shall have an optional soap dispenser hole on left (-L) or right (-R) (single-hole models only). Bathroom sink shall be Kohler Model K-1999-____-____.

BRENHAM™

Technical Information

Fixture*:	
Basin area	14-3/8" (406 mm) x 12-5/16" (365 mm)
Water depth	3-1/4" (83 mm)
Hole diameter	
Drain	1-3/4" (44 mm)
Spout	1-3/8" (35 mm)
Handle	1-3/8" (35 mm)
Soap dispenser	1-1/4" (32 mm)
* Approximate measurements for comparison only.	

Recommended ADA/TAS installation:		
	ADA and TAS	Children's Environment
		ADA and TAS Ages 6-12 yrs
A	34" (864 mm)	31" (787 mm)
B	27" (686 mm)	24" (610 mm)
C	11" (279 mm)	11" (279 mm)
D	9" (229 mm)	9" (229 mm)
E	8" (203 mm)	8" (203 mm)

Installation Notes

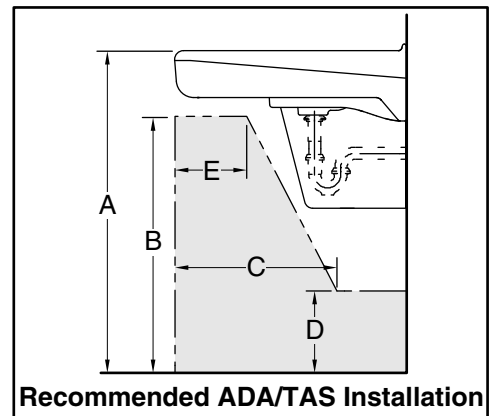
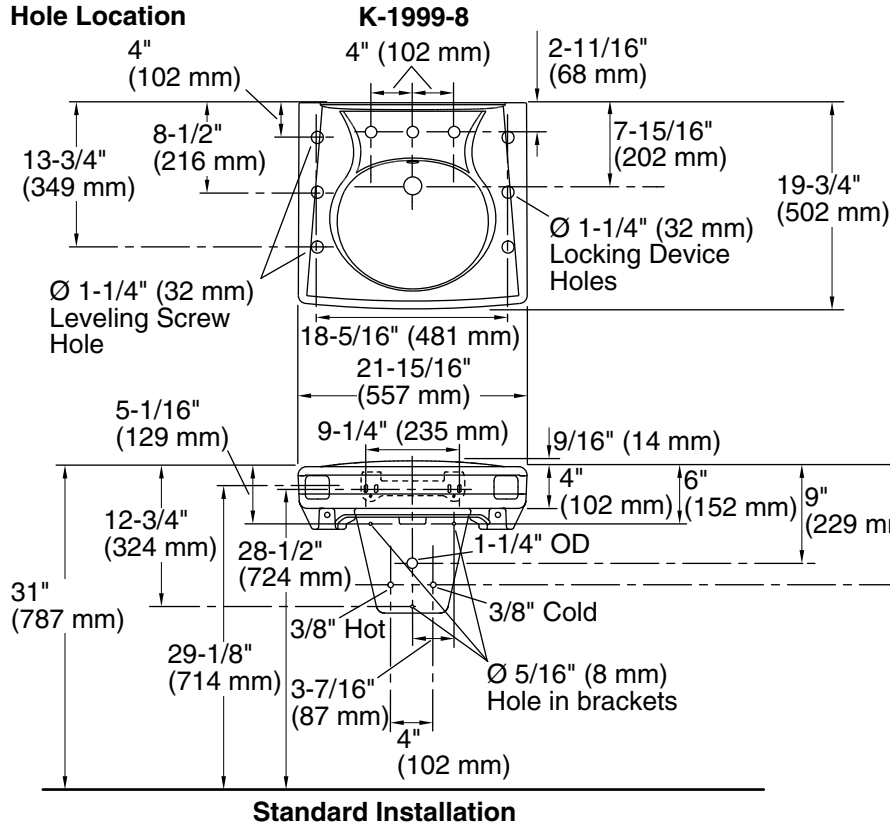
ADA and TAS standards permit parallel approach for children ages K-5 yrs.

Will comply with ADA when installed per Section 606 Lavatories of the Act.

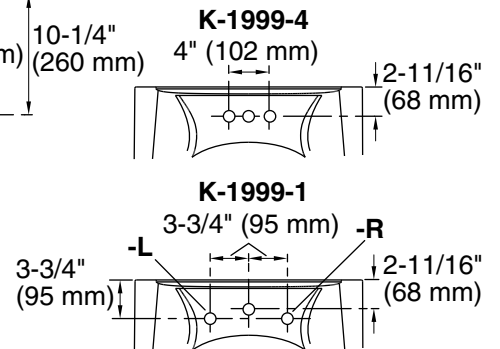
Will comply with CSA B651 when installed per Clause 4.3.3 of the standard.

Will comply with OBC when installed per Clause 3.8.3.11.

Concealed Arm Hole Location



Recommended ADA/TAS Installation



Product Diagram