

# DVG54R7200V

SAMSUNG

## Samsung Gas Dryer with Steam Sanitize+

7.4 cu. ft. Capacity DOE



### Signature Features

#### Steam Sanitize+

- The Steam Sanitize+ cycle removes 99.9% of germs and bacteria, over 95% of pollen, and kills 100% of dust mites<sup>1</sup>. Multi-Steam Technology steams away wrinkles, odors, and static.

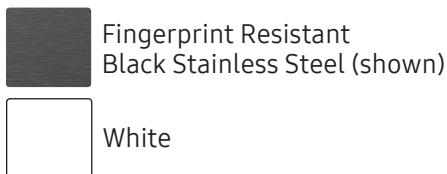
#### Sensor Dry

- Automatically optimizes the time and temperature of your drying cycle to protect your clothes from heat damage, while avoiding excess energy use.

#### Vent Sensor

- Vent Sensor continually monitors the condition of your dryer's air duct to ensure it is operating safely and efficiently.

### Available Colors



Steam Sanitize+



Sensor Dry

### Features

- Steam Sanitize+
- Sensor Dry
- Vent Sensor
- Smart Care<sup>2</sup>
- Interior Drum Light
- Reversible Tinted Door
- 3-Way Venting
- Stainless Steel Drum
- Accessibility (AUI, Braille)
- 10 Preset Drying Cycles
- 9 Additional Drying Options
- 5 Temperature Levels
- LED Display: Ice Blue

### Convenience

- Child Lock
- Lint Filter Indicator

<sup>1</sup>Based on internal testing and independently verified by Intertek. Individual results may vary.

<sup>2</sup>Requires Samsung Smart Washer/Dryer App. The Samsung Smart Washer/Dryer app supports Android OS 2.3.6 or later and iOS 3 or later for iPhone models. Smart Washer/Dryer App available in App Store and Play Store

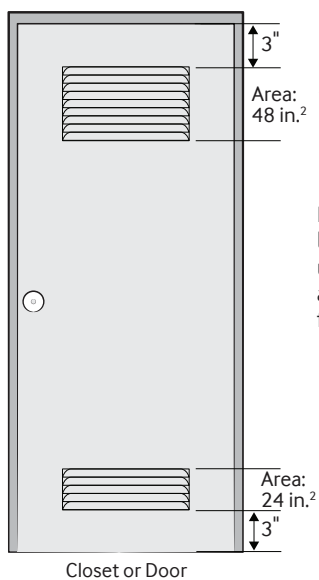
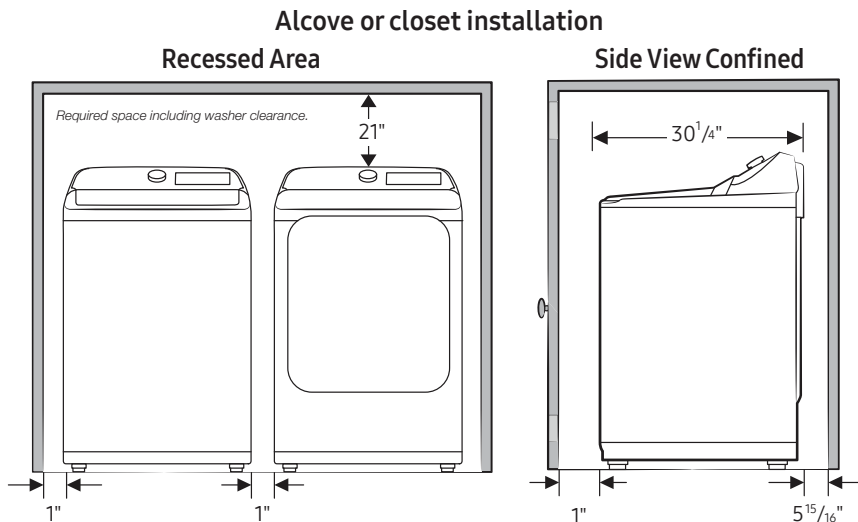
# DVG54R7200V

**SAMSUNG**

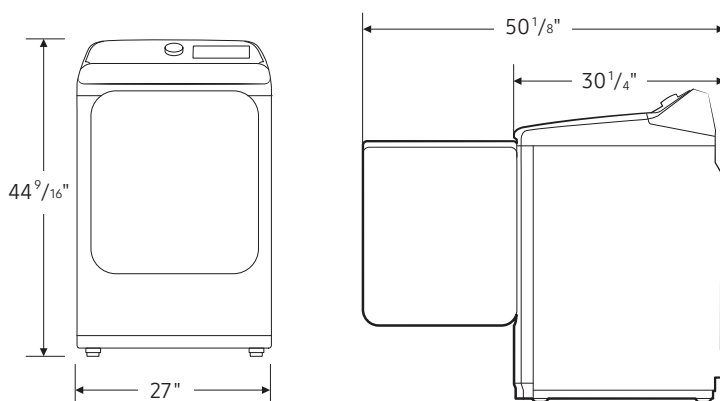
## Samsung Gas Dryer with Steam Sanitize+

7.4 cu. ft. Capacity DOE

### Installation Specifications



### Dimensions



### 3-Way Venting

#### 10 Preset Drying Cycles:

Refresh, Steam Sanitize+, Wrinkle Away, Normal, Heavy Duty, Permanent Press, Bedding, Delicates, Time Dry, Air Fluff

#### 9 Additional Drying Options:

Damp Alert, Wrinkle Prevent, Adjust Time (Up), Adjust Time (Down), Child Lock, Alarm Off, Eco Dry, Smart Care, Drum Light

#### 5 Temperature Levels:

High, Medium High, Medium, Medium Low, Low

#### 5 Dry Levels:

More Dry, Normal-More Dry, Normal Dry, Normal-Less Dry, Less Dry

### Warranty

One (1) Year Parts and Labor

### Product Dimensions & Weight (WxHxD)

Dimensions: 27" x 44 9/16" x 30 1/4"

Weight: 119 lbs

### Shipping Dimensions & Weight (WxHxD)

Dimensions: 29 9/16" x 46 15/16" x 31 3/16"

Weight: 126 lbs

#### Gas

Fingerprint Resistant  
Black Stainless Steel  
White

#### Model #

DVG54R7200V  
DVG54R7200W

#### UPC Code

887276348001  
887276348018

#### Electric

Fingerprint Resistant  
Black Stainless Steel  
White

DVE54R7200V  
DVE54R7200W

887276347967  
887276347974

### Matching Washer

Fingerprint Resistant  
Black Stainless Steel  
White

WA54R7200AV  
WA54R7200AW

887276300559  
887276300566

### Accessories

Vent Kit

DV-2A

887276146416