



# Caxton® Rectangle

Undermount bathroom sink  
**K-20000**

### Features

- Rectangular basin.
- Overflow drain.
- No faucet holes; requires wall- or counter-mount faucet.

### Material

- Vitreous china.

### Installation

- Undermount.

### Recommended Products/Accessories

- K-23726 Drain treatment
- K-23725 Cast iron cleaner

### Included Components

- Additional Components:  
1193643



**ADA** **CSA B651**

### Codes/Standards








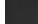
- ASME A112.19.2/CSA B45.1
- ADA
- ICC/ANSI A117.1
- CSA B651

### KOHLER® One-Year Limited Warranty

See website for detailed warranty information.

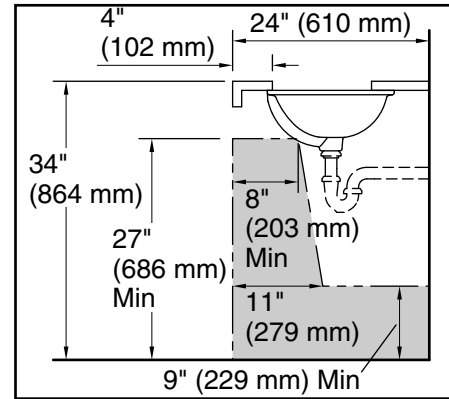
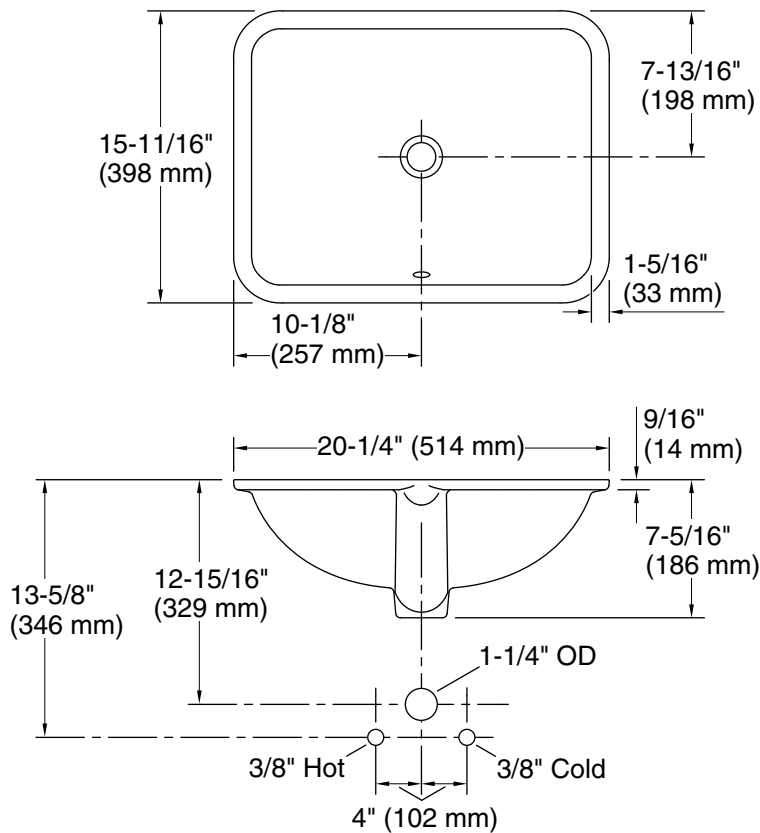
### Available Colors/Finishes

*Color tiles intended for reference only.*

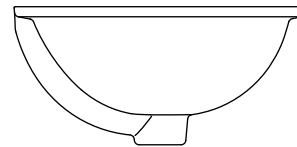
Color	Code	Description
	0	White
	96	Biscuit
	47	Almond
	NY	Dune
	95	Ice™ Grey
	K4	Cashmere
	58	Thunder™ Grey
	7	Black Black™



**Caxton® Rectangle**  
Undermount bathroom sink  
**K-20000**



**Recommended ADA Installation**



**Technical Information**

All product dimensions are nominal.

Installation:	Under-mount
Bowl area:	Length: 17-5/8" (448 mm) Width: 13-1/8" (334 mm) Bowl depth: 5-5/16" (135 mm) Water depth: 3-5/8" (93 mm)
Drain hole:	1-3/4" (44 mm)
Template:	Under-mount, 1281904-7, required, not included

**Notes**

Install this product according to the installation instructions.

Countertop manufacturer or cutter must use the cut-out template provided with the product, or a current one provided by Kohler Co. (call 1-800-43-FOCUS). Kohler Co. is not responsible for cut-out errors when the incorrect cut-out template is used.

ADA, CSA B651 compliant when installed to the specific requirements of these regulations.