

SERWALL

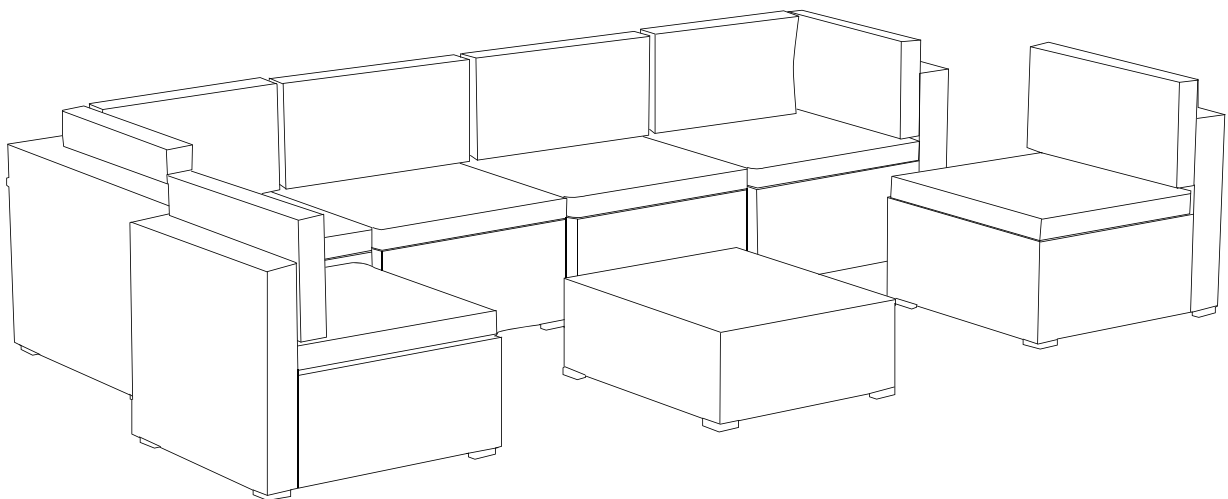
Thank you very much
for purchasing our outdoor sectional.

OWNER'S MANUAL

SERWALL

Outdoor Sectional

PE Rattan Sectional Sofa Set_C1



If you have any questions,
please contact customer service:
E-mail: outdoorservicewf@163.com

SAFETY PRECAUTIONS

⚠ Warning

- Please read and understand this entire manual before attempting to assemble or install the product.
- Some parts may contain sharp edges. Please wear protective gloves when assemble or install the product.
- Assemble the item on a soft, non-abrasive surface such as carpeting to avoid damage.
- Keep all children and pets away from assembly area. Children and pets should be supervised when they are in the area of the sofa set construction.
- Item is heavy. Please handle with care. Two or more people are required for this assembly.

Caution

- Sofa is for seating purpose only. Do not stand on or use any part of this item as a step ladder.
- Recommended maximum sitting weight for the each sofa seating is 175 lbs /80 kgs. Please do not exceed the weight limitations of this item.
Firmly secure all bolts, screws and knobs before use.
- Reconfirm that all bolts, screws, and knobs are secure every 90 days.
- Do not use or store this item in the proximity of open flame or flammable/combustible chemicals.
- If any parts are missing, broken, damaged, or worn, stop using this product until repairs are made and/or factory replacement parts are installed.

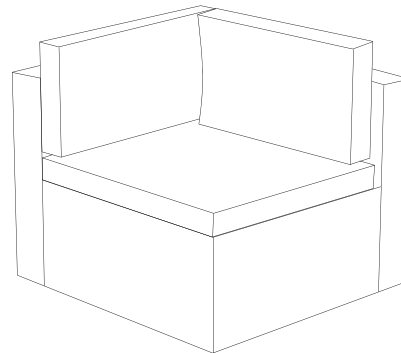
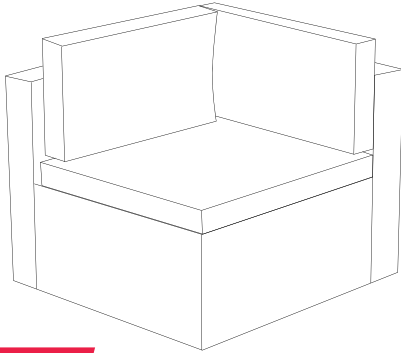
Attention

- Before assembling of product, compare every part with parts list. If any part is missing or damaged, do not attempt to assemble the product and contact us immediately.
- We care about every customer's using experience, please feel free to chat us if have some advice, efficient solution would be offered soon.
- Recommend to use waterproof furniture cover for entire patio sofa set when out of use to keep them longer performance.
- Sofa cushion cover can be removable and clean up by cleaner when have stains.
- It's available to adjust foot height through leveler regarding ground condition to keep sofa in balance.

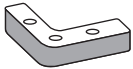

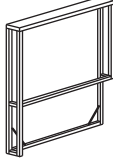
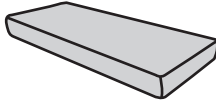
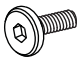
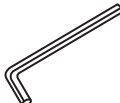
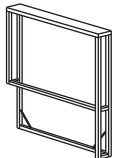
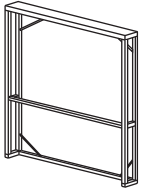
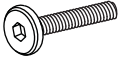

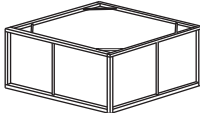
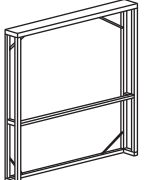

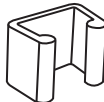
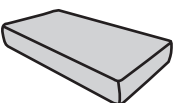
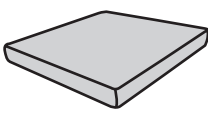

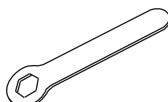
Warranty Coverage Requirements:

- Pictures of the damaged parts.
- The name or MOLDE number of your product.
- Please gather all of this information BEFORE you contact us.
- Do not use this item in a way inconsistent with the manufacturer's instructions as this could void the product warranty.

Parts

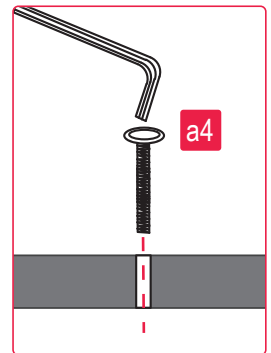
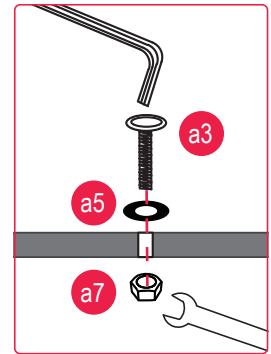
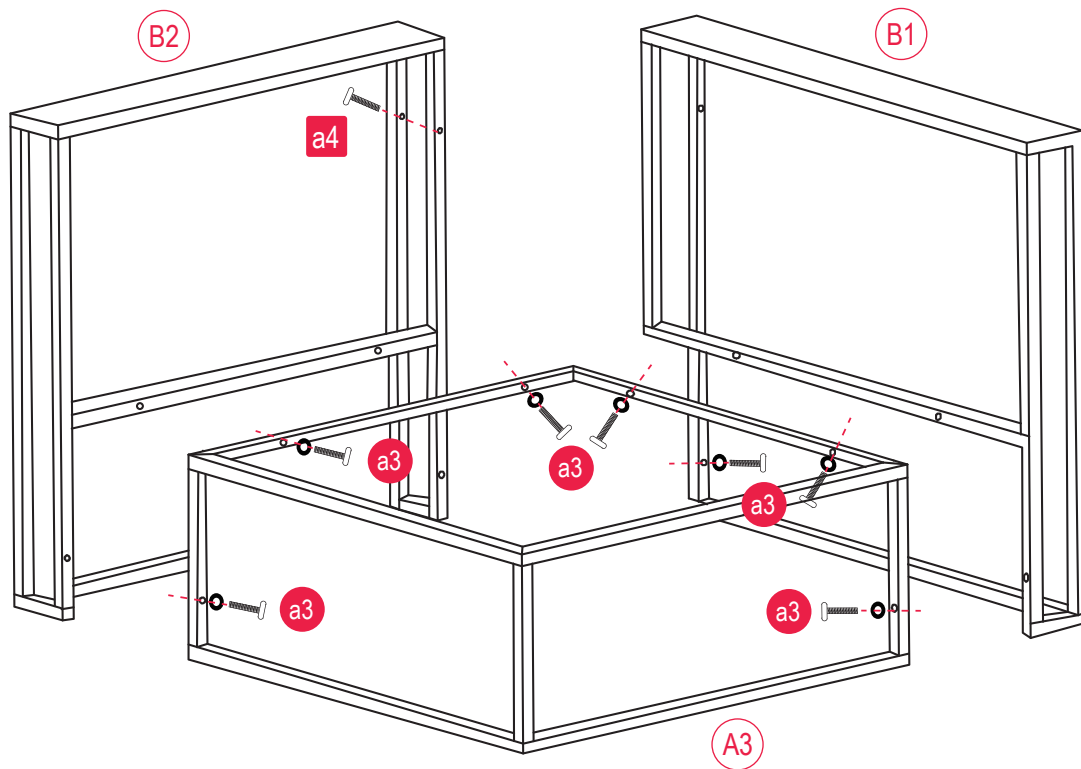


Hardware

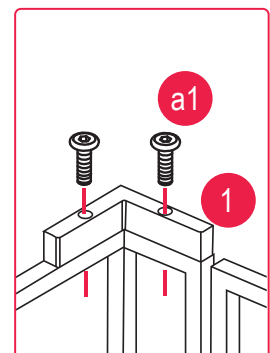
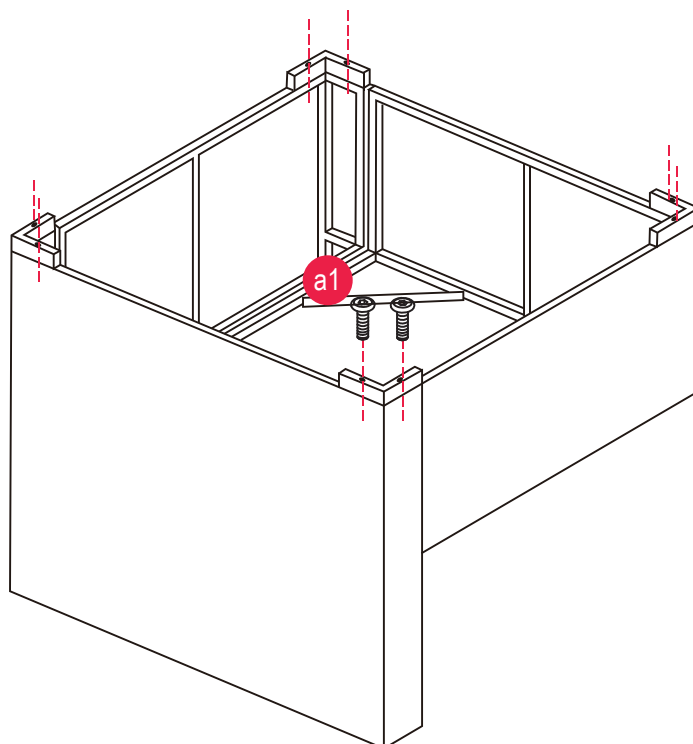
| | | | |
|--|---|---|---|
|  1 8PCS |  a6 M6 14PCS |  A1 1PC |  E6 Long Back Cushion 2PCS |
|  a1 M6x20 16PCS |  a7 1PC |  B1 1PC |  A2 Left Arm 1PC |
|  a3 M6x45 14PCS |  a8 8PCS |  A3 2PCS |  B3 Right Arm 1PC |
|  a4 M6x110 2PCS |  a9 4PCS |  E3 Short Back Cushion 2PCS |  E2 Seat Cushion 2PCS |
|  a5 M6 16PCS |  b 1PC | | |

Instructions THE CORNER OF RATTAN SOFA

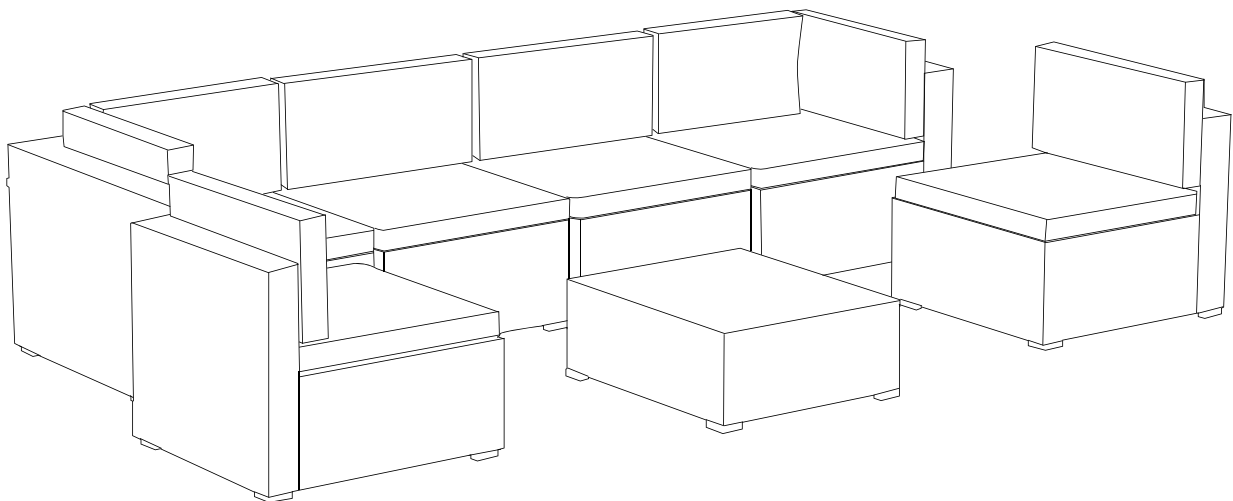
Step 1



Step 2



SERWALL



If you have any questions,
please contact customer service:
E-mail: outdoorservicewf@163.com