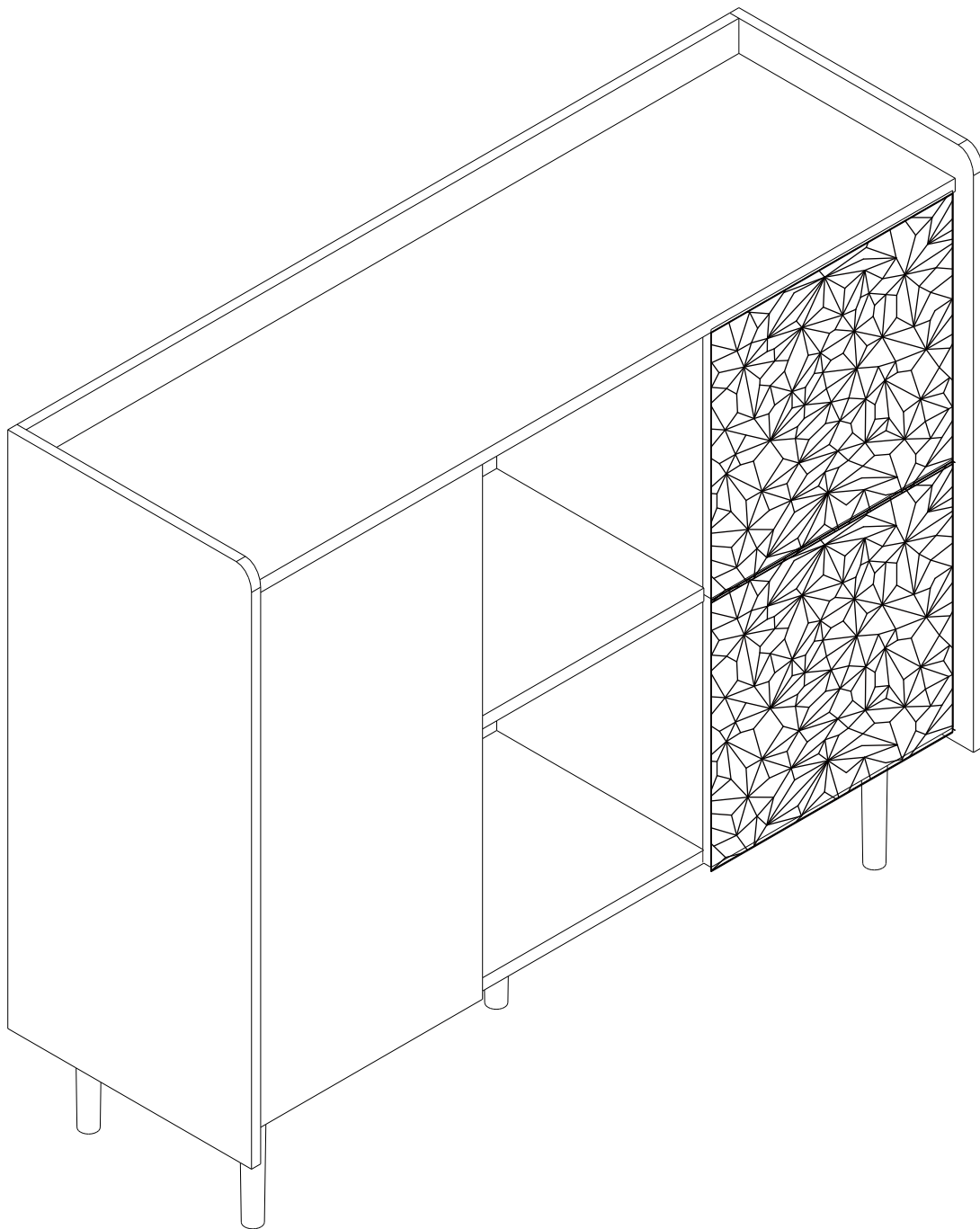
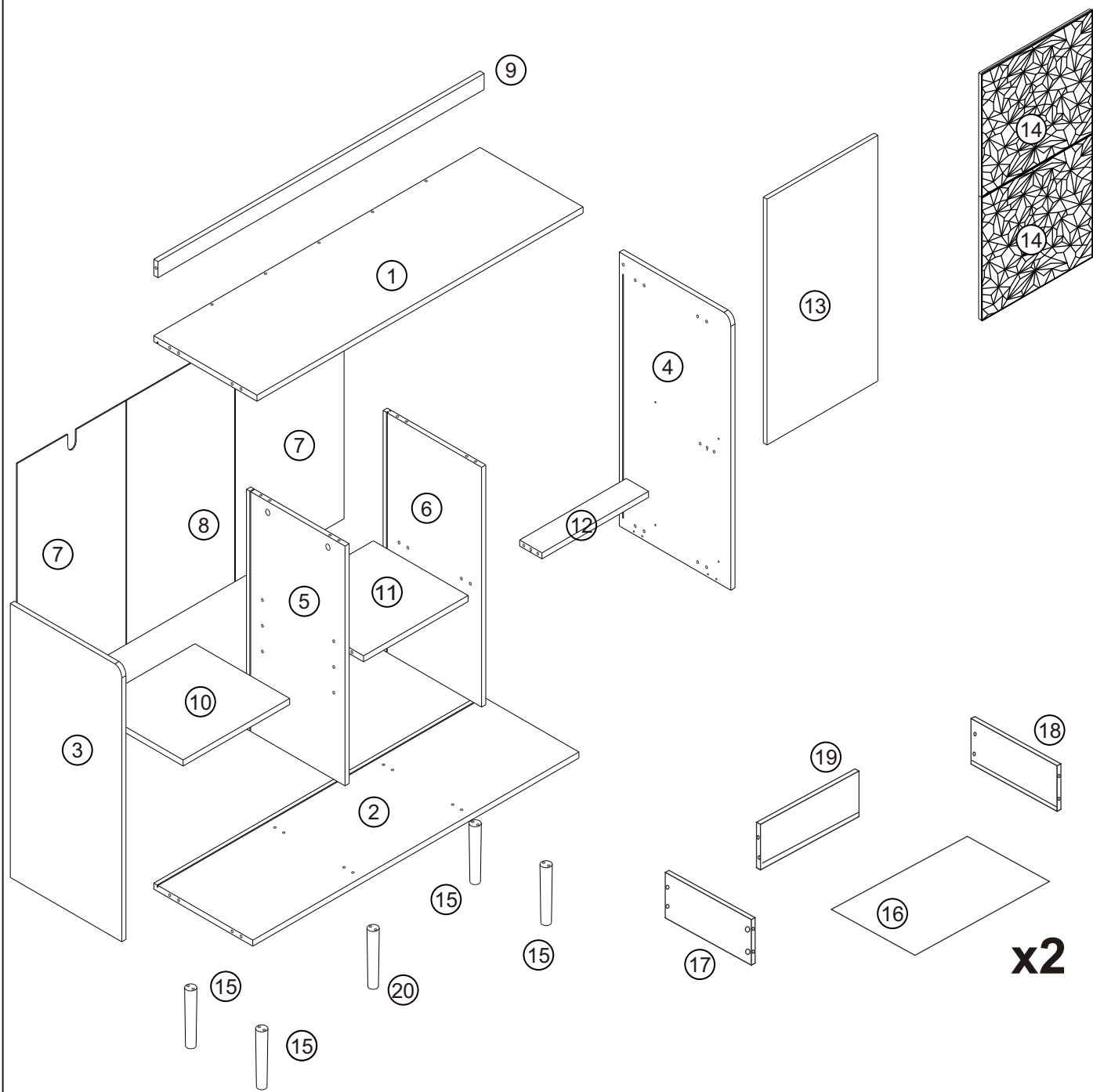


ASSEMBLY INSTRUCTIONS






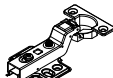
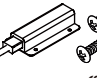



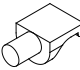




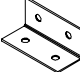
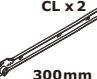



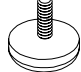
<<Before assembling, read all instructions>>



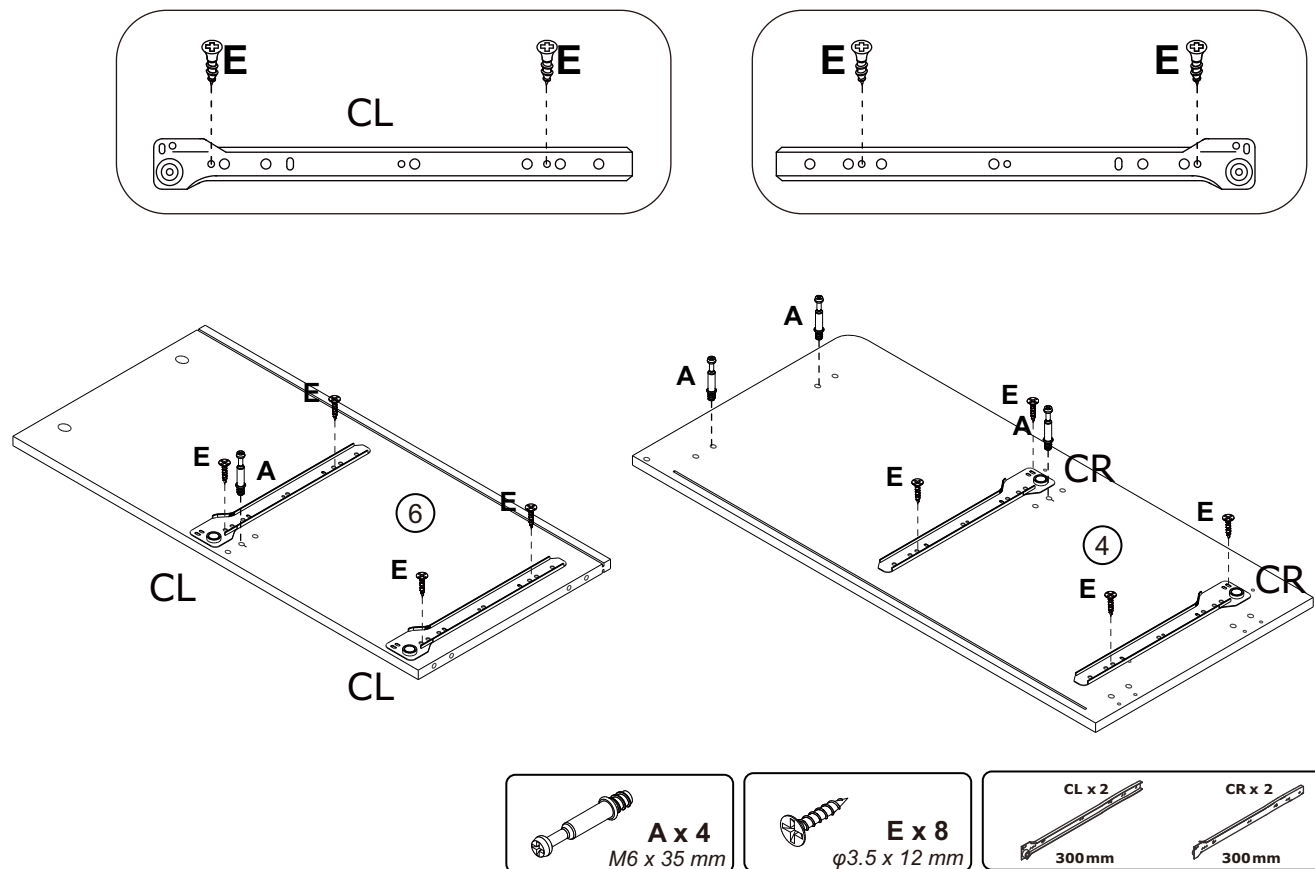
Exploded View



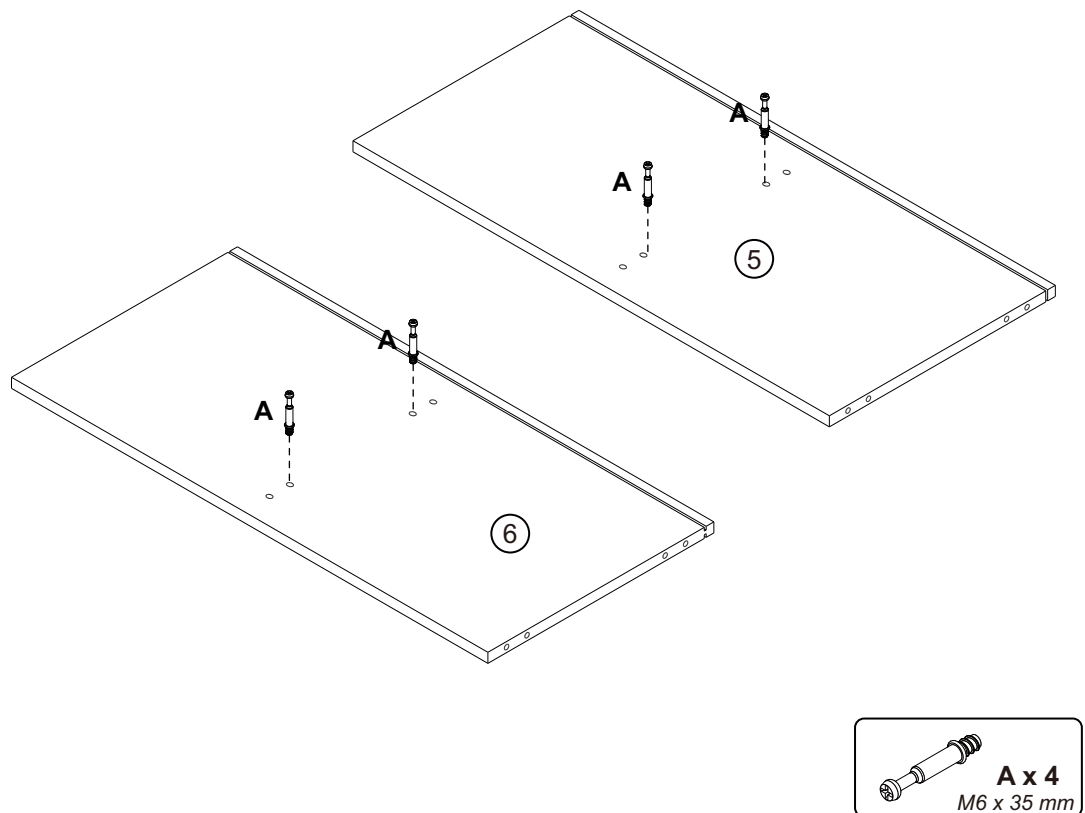
Fittings

 A x 22 M6 x 35 mm	 B x 22 φ15 x 9.5 mm	 C x 32 φ6 x 30 mm	 D x 7 φ4 x 35 mm	 E x 28 φ3.5 x 12 mm
 F x 2	 G x 3 φ4 x 12 mm	 H x 5 62 x 62 x 2 mm	 I x 18 φ4 x 35 mm	 J x 36 φ4 x 12 mm
 K x 4	 L x 2 φ4 x 40 mm	 M x 4 φ25 mm	 N x 2	 O x 2
 P x 4	 CL x 2 300mm	 CR x 2 300mm	 DL x 2 300mm	 DR x 2 300mm
				 Q x 1

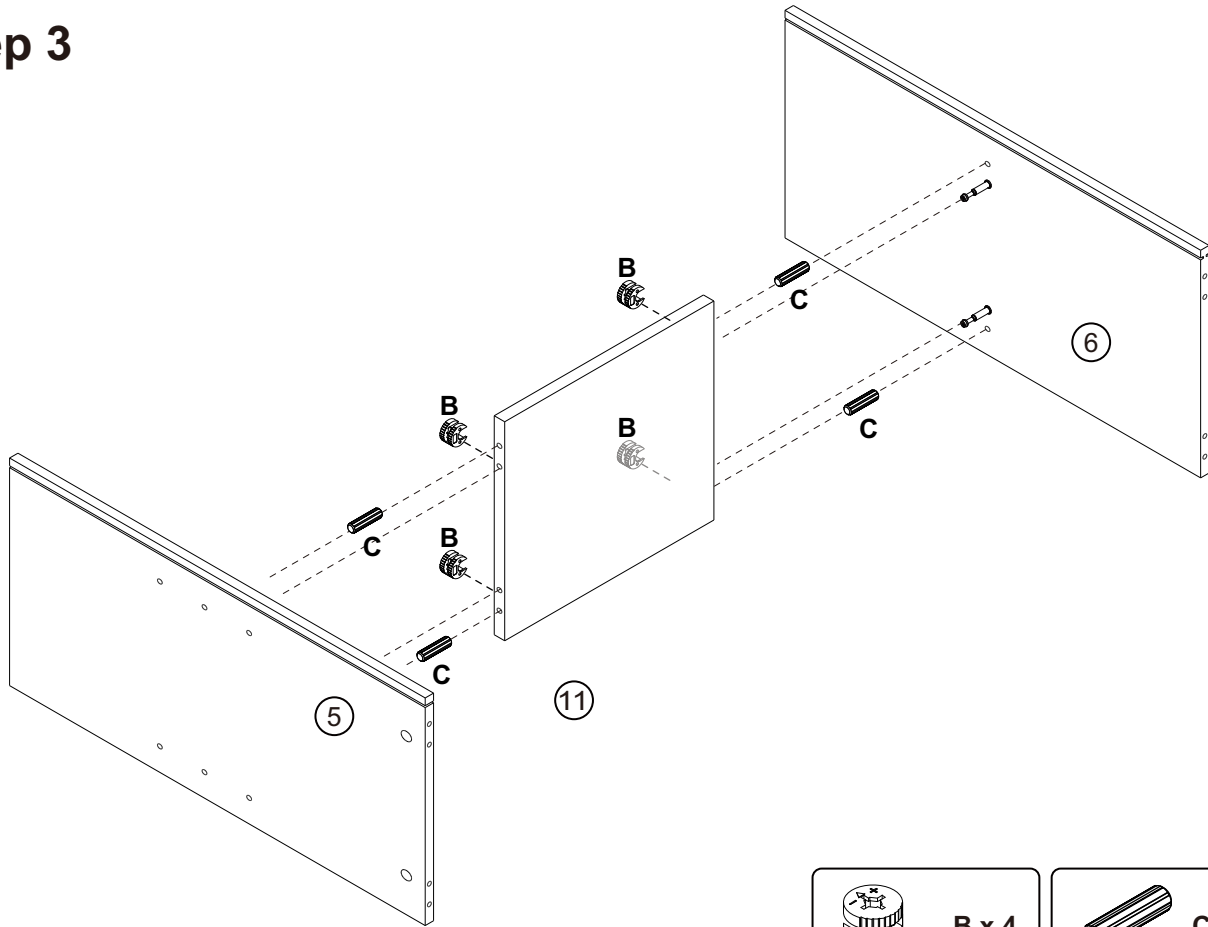
Step 1



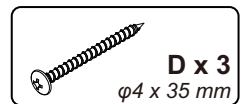
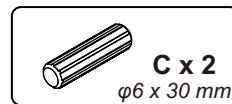
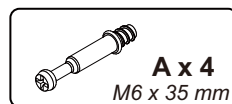
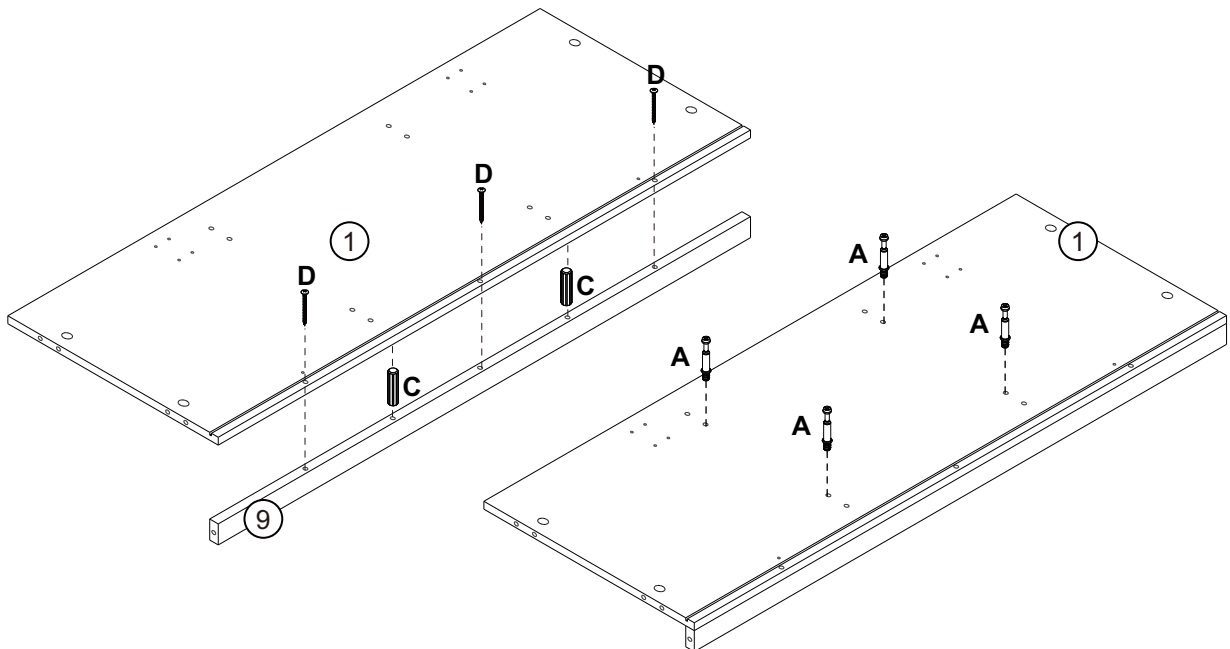
Step 2



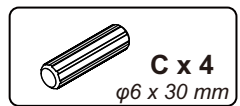
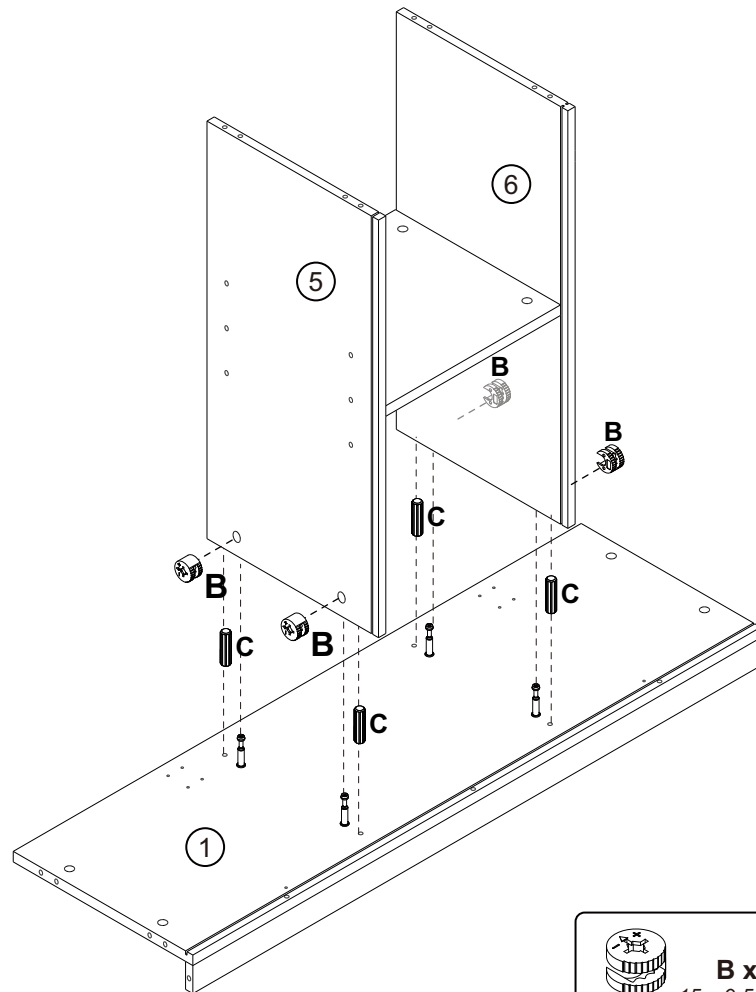
Step 3



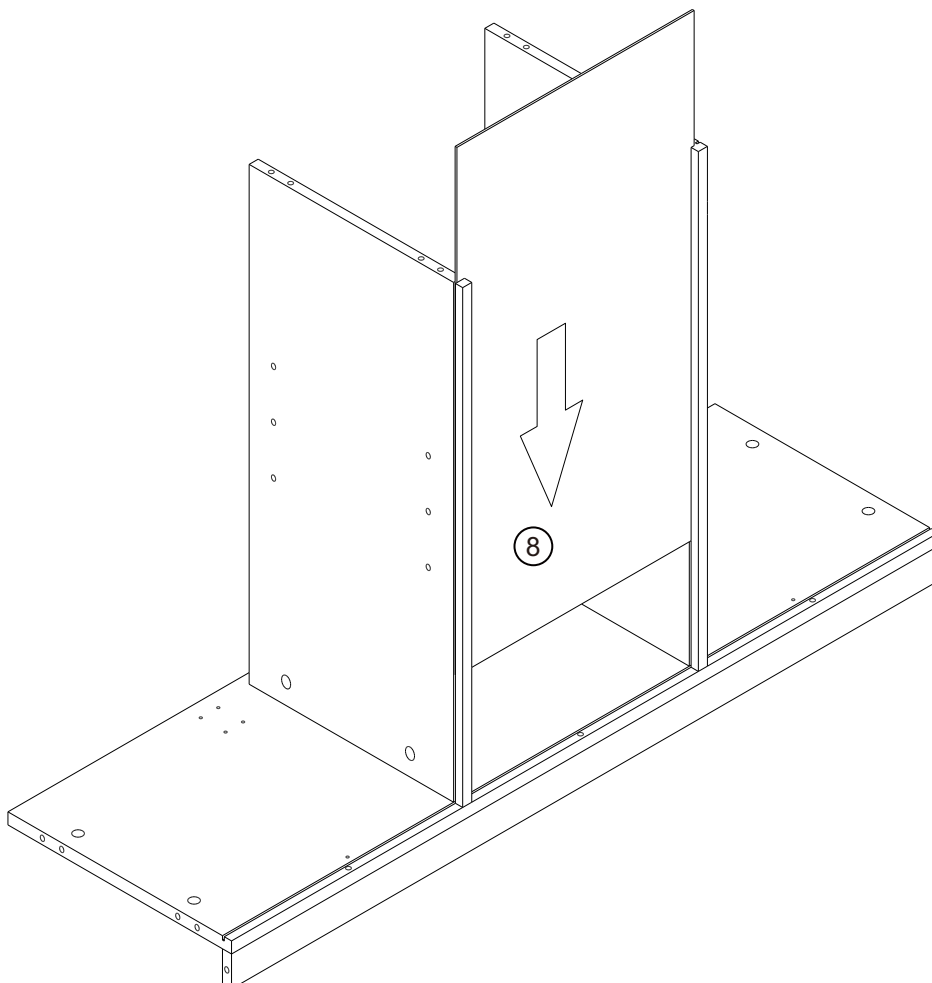
Step 4



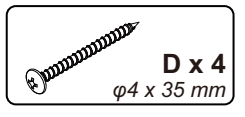
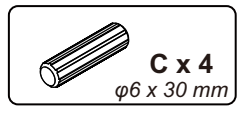
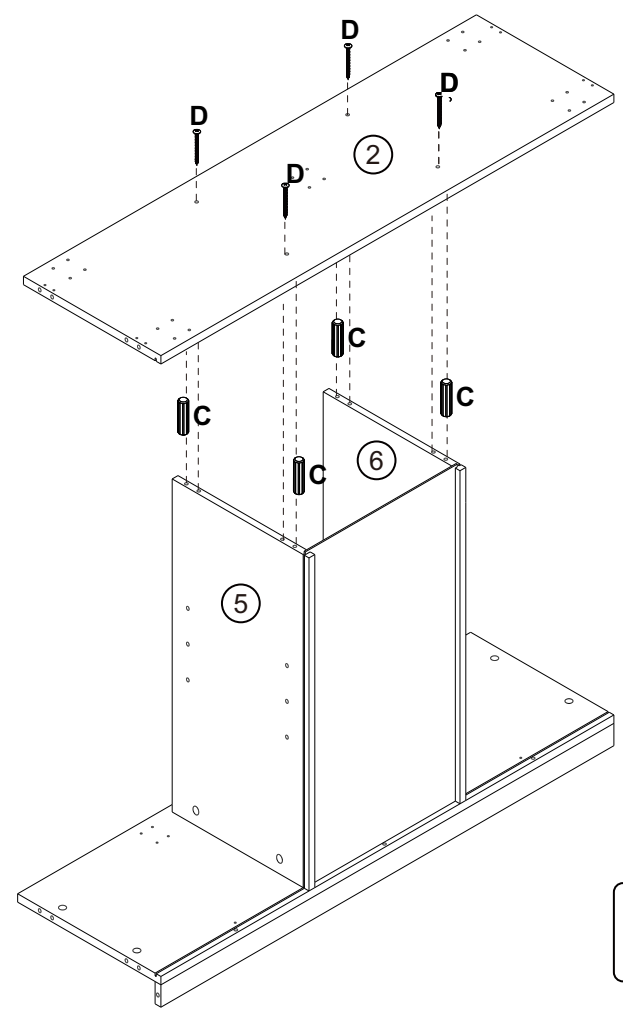
Step 5



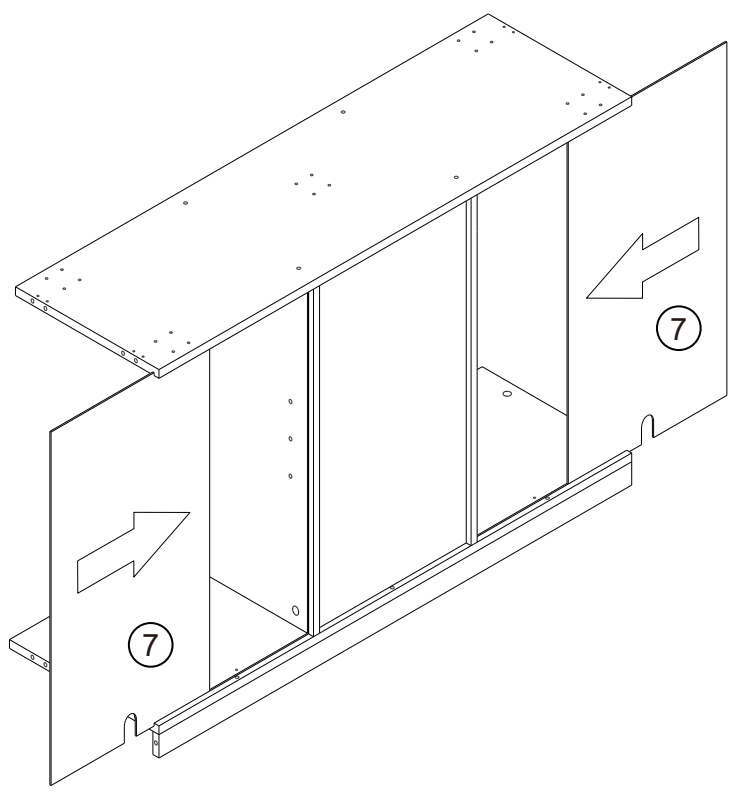
Step 6



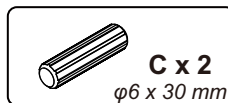
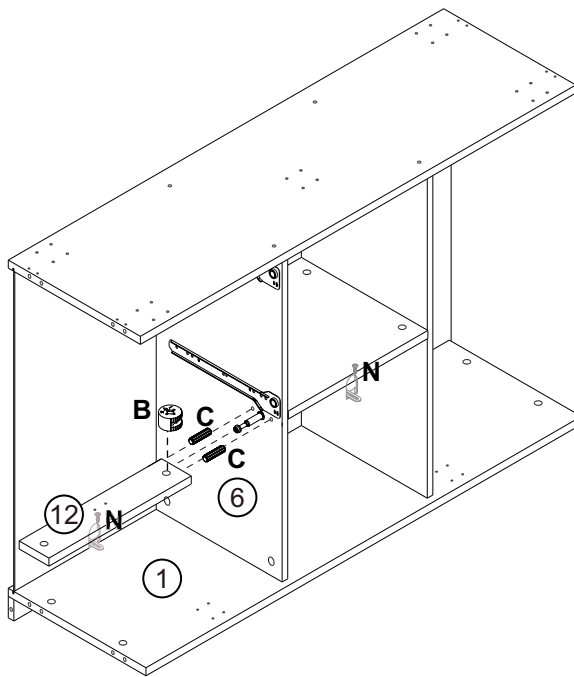
Step 7



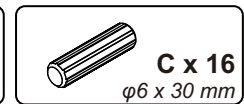
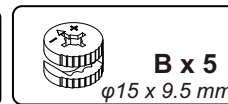
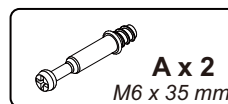
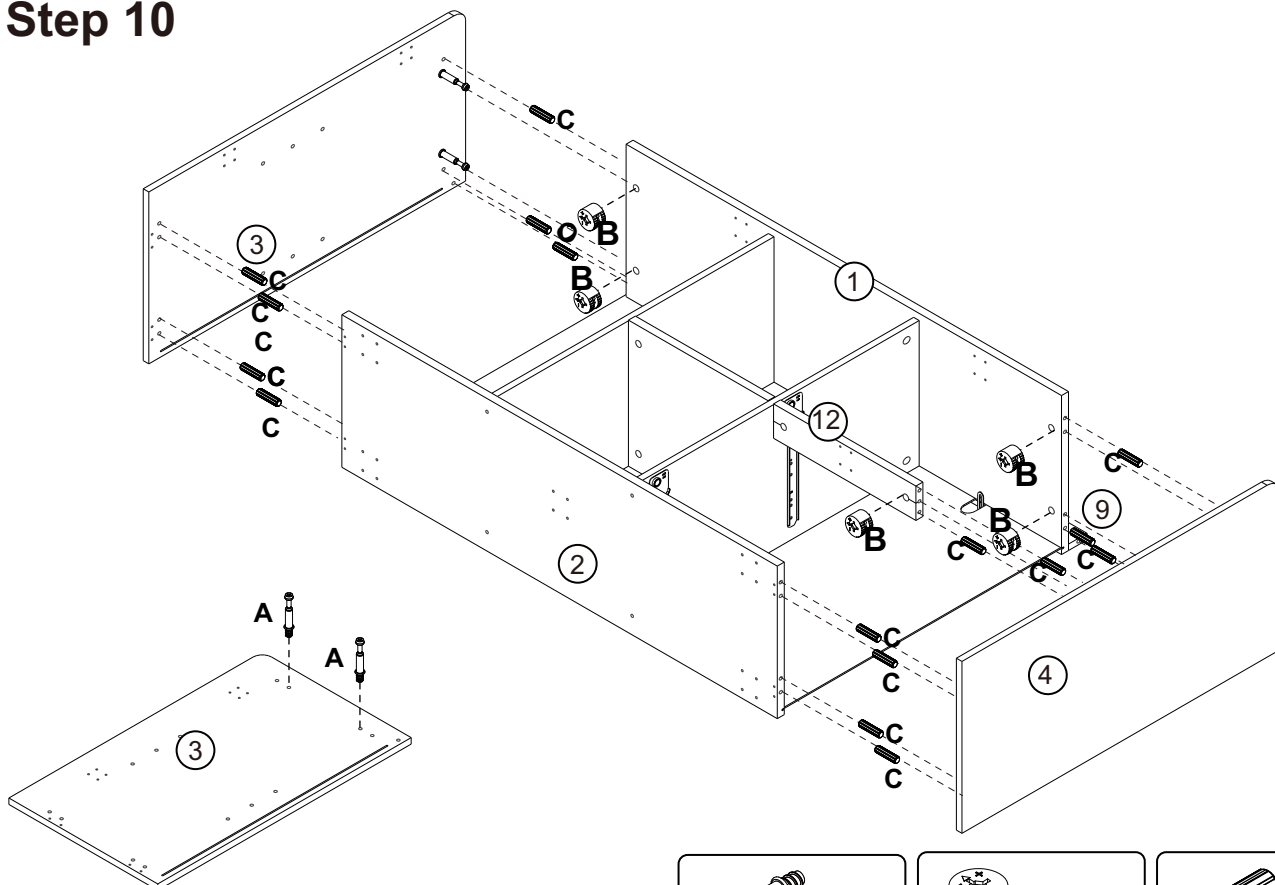
Step 8



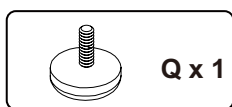
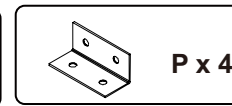
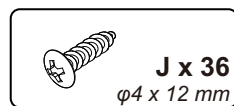
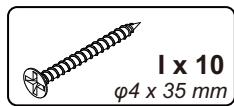
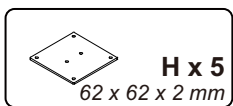
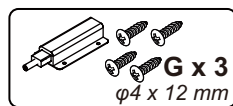
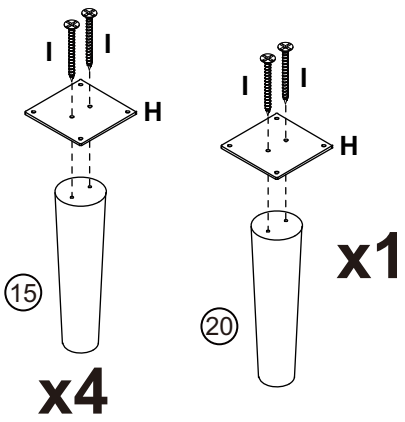
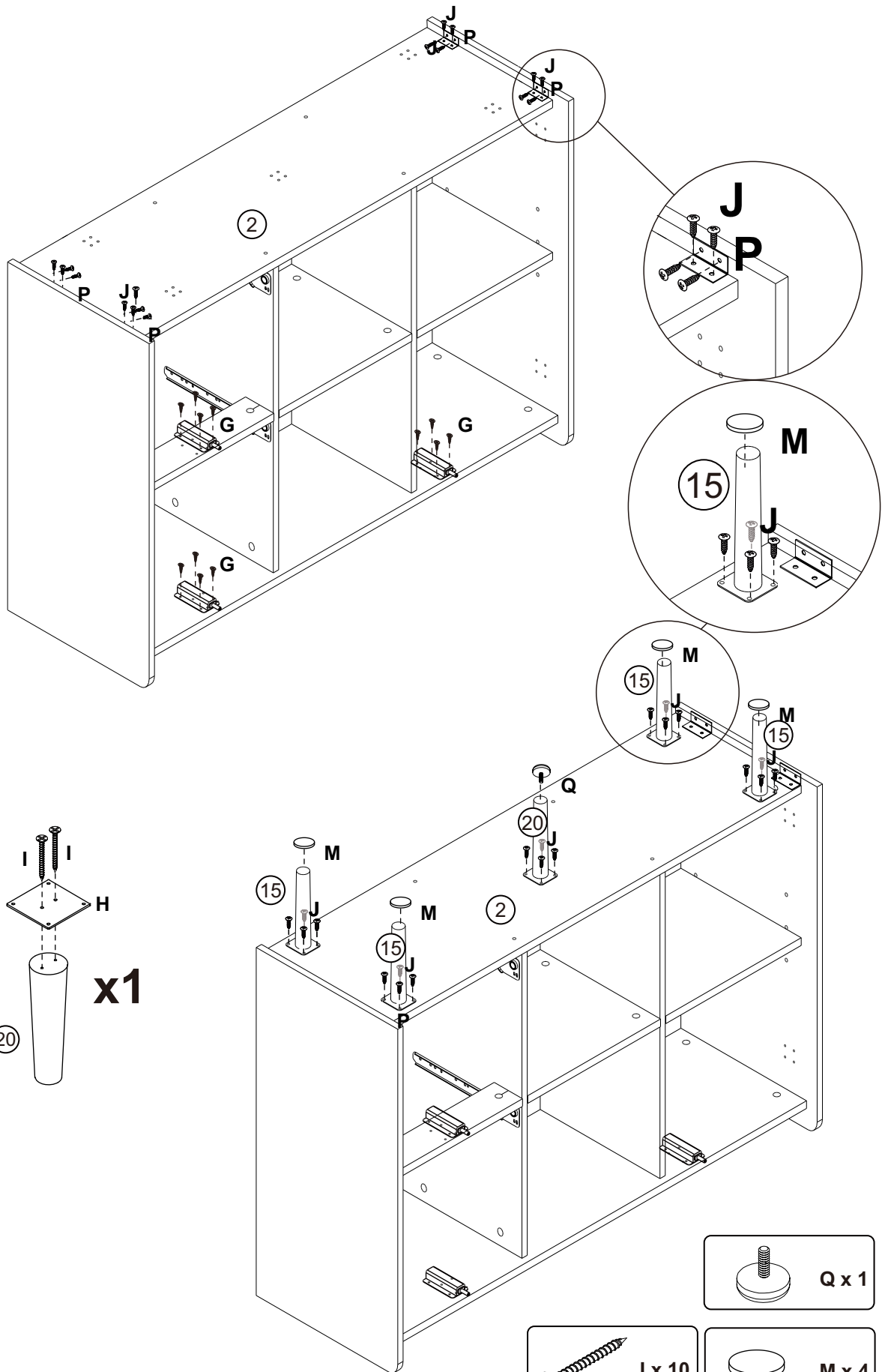
Step 9



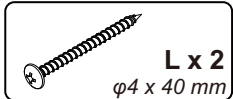
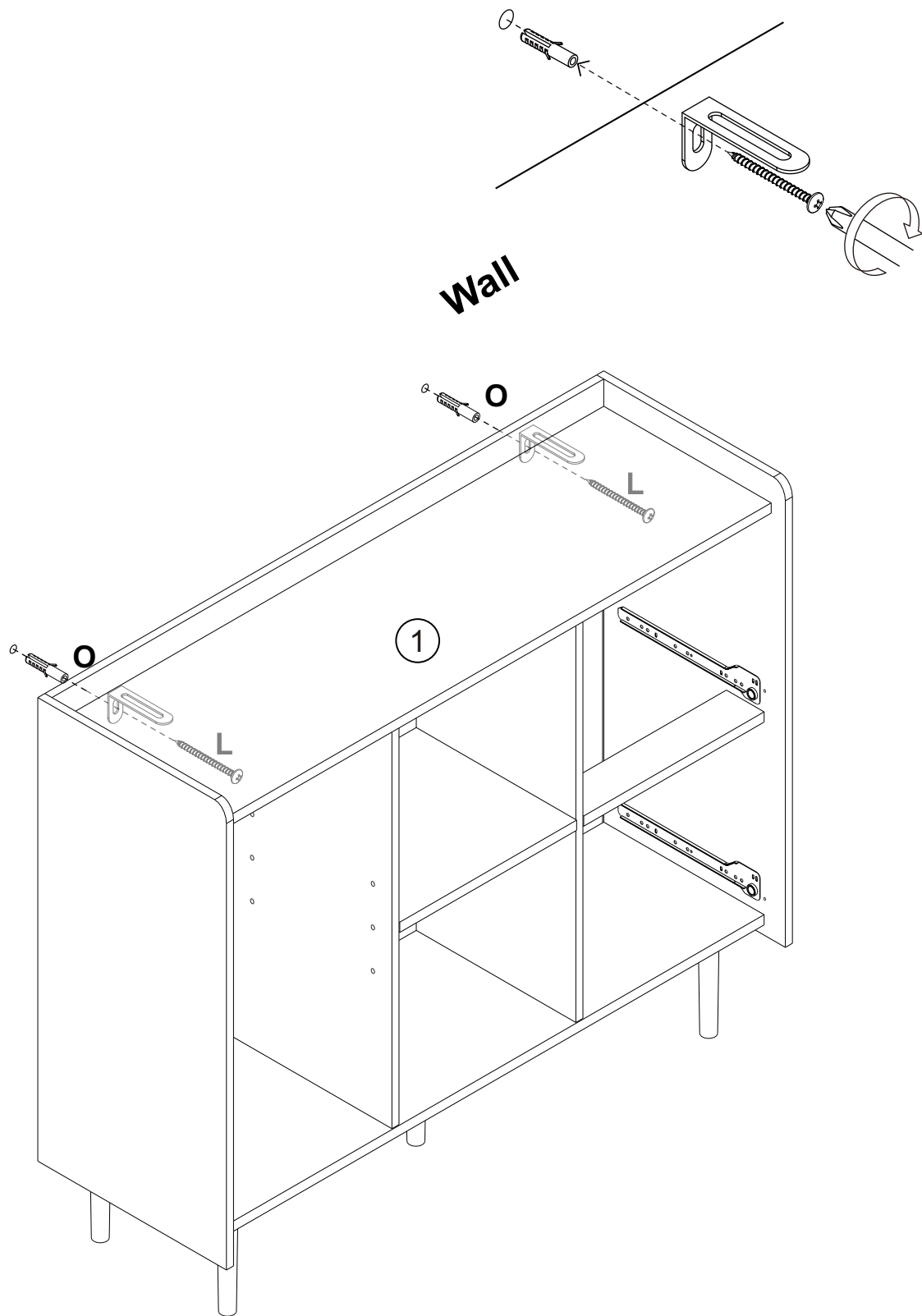
Step 10



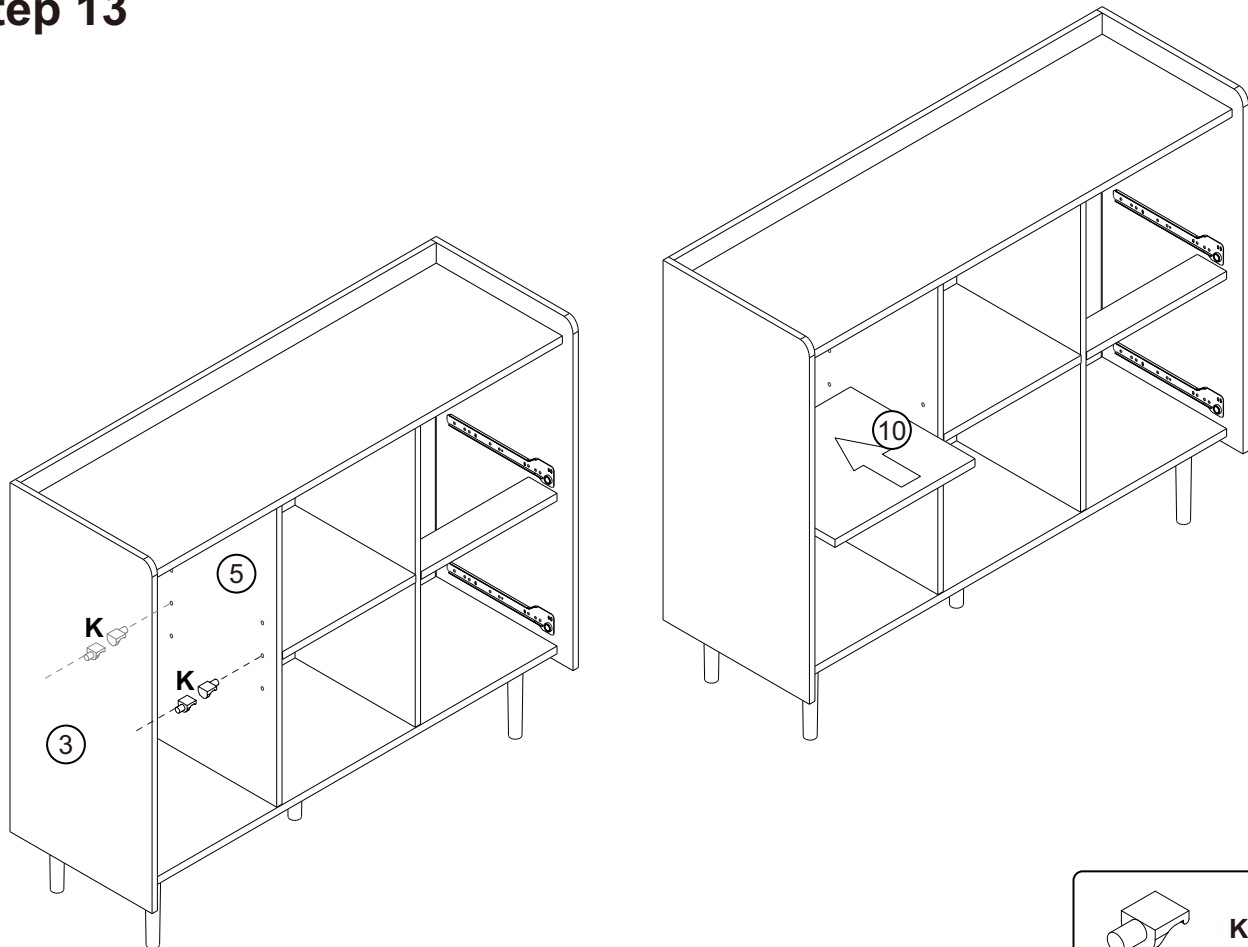
Step 11



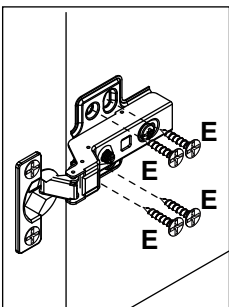
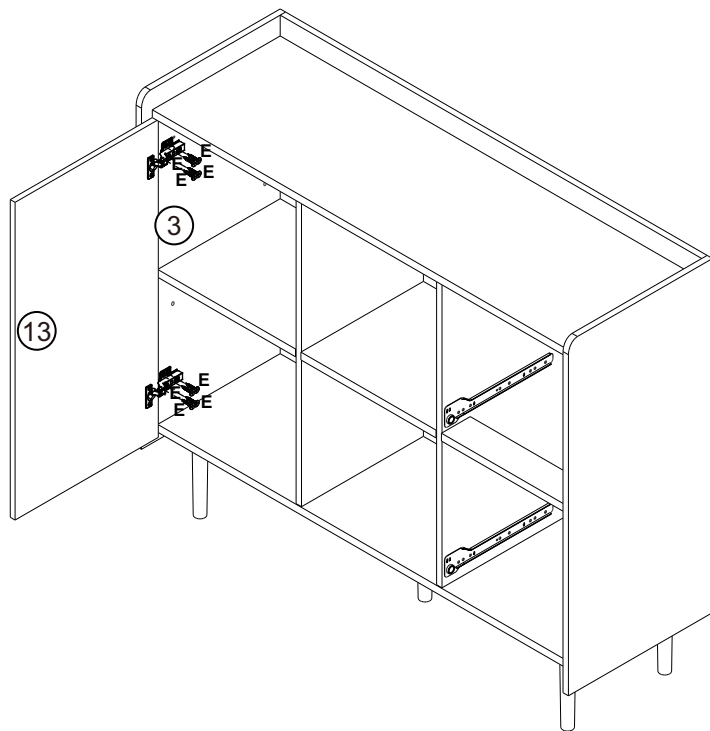
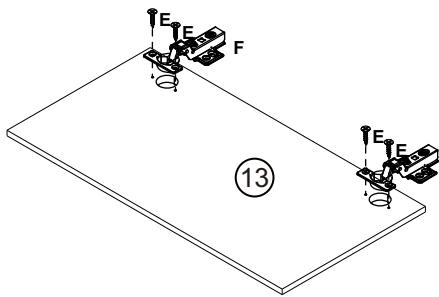
Step 12



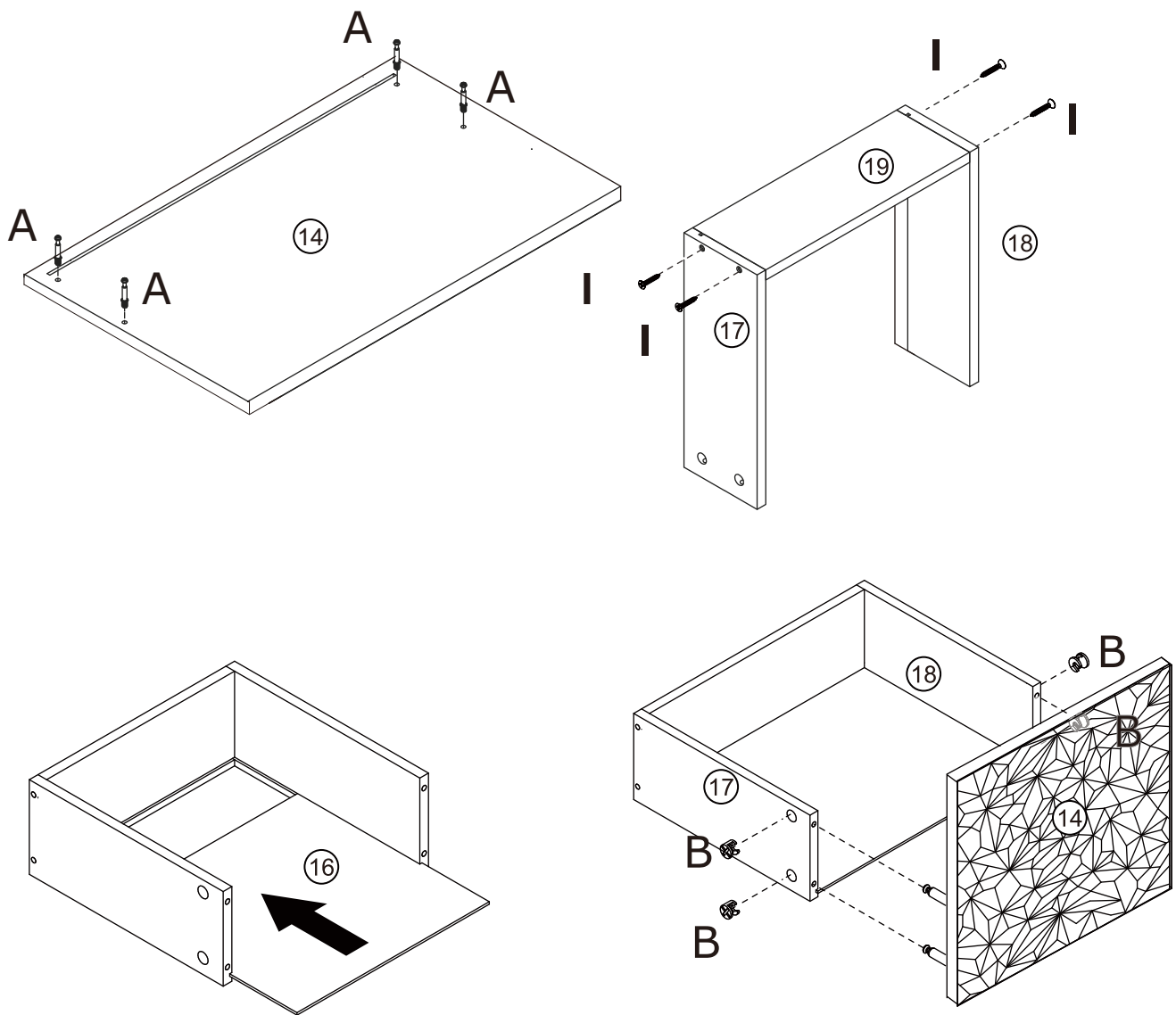
Step 13



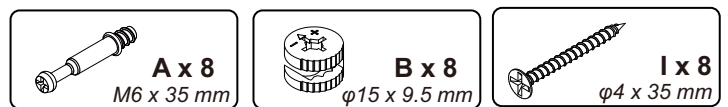
Step 14



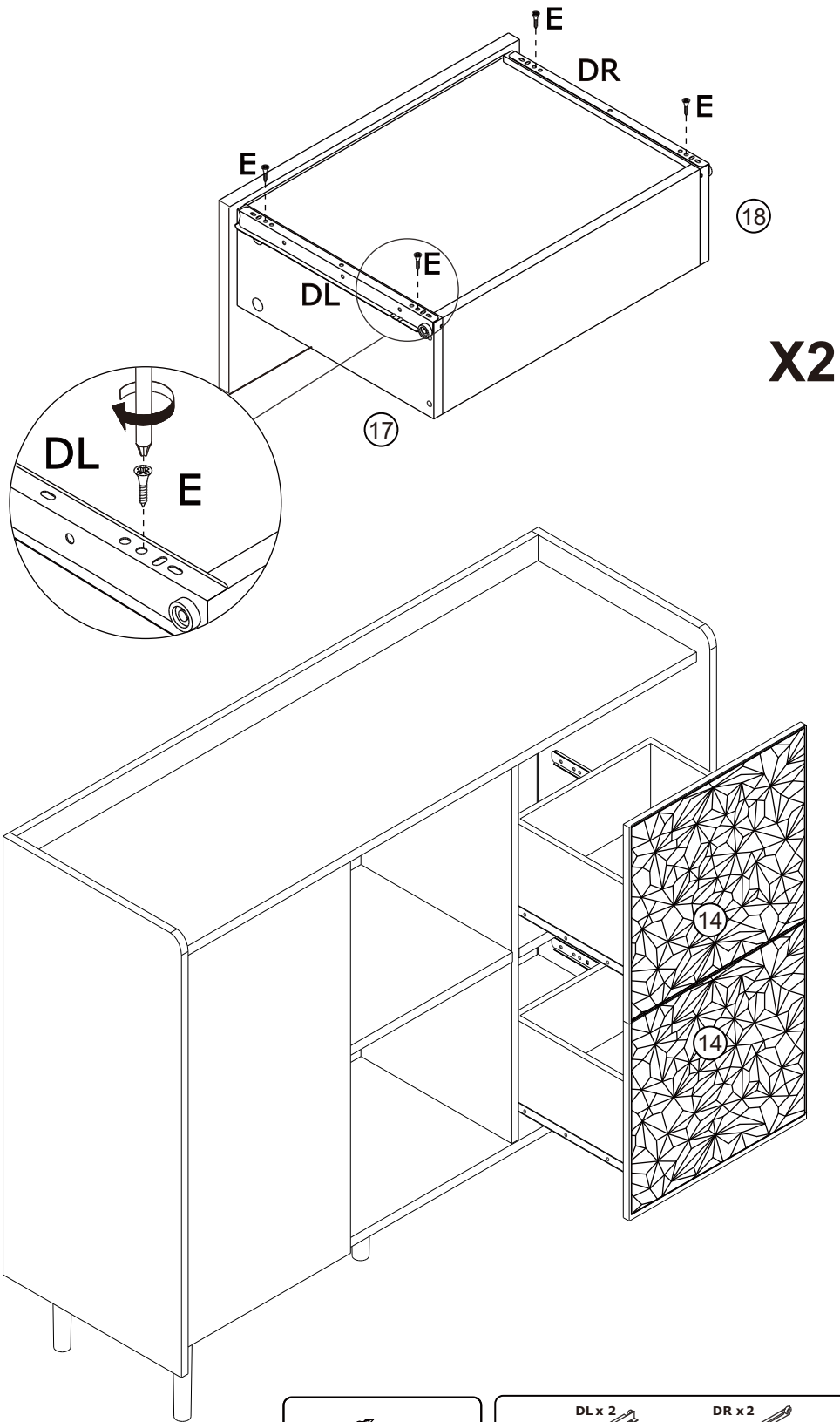
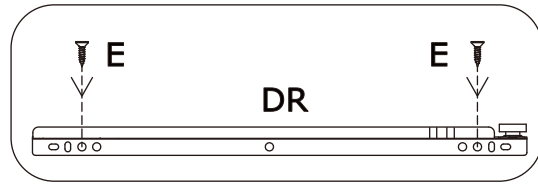
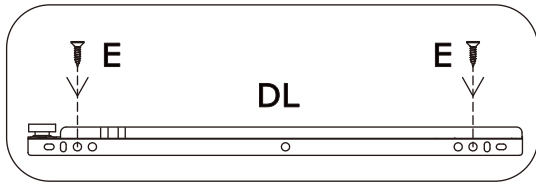
Step 15



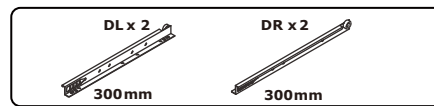
X2



Step 16



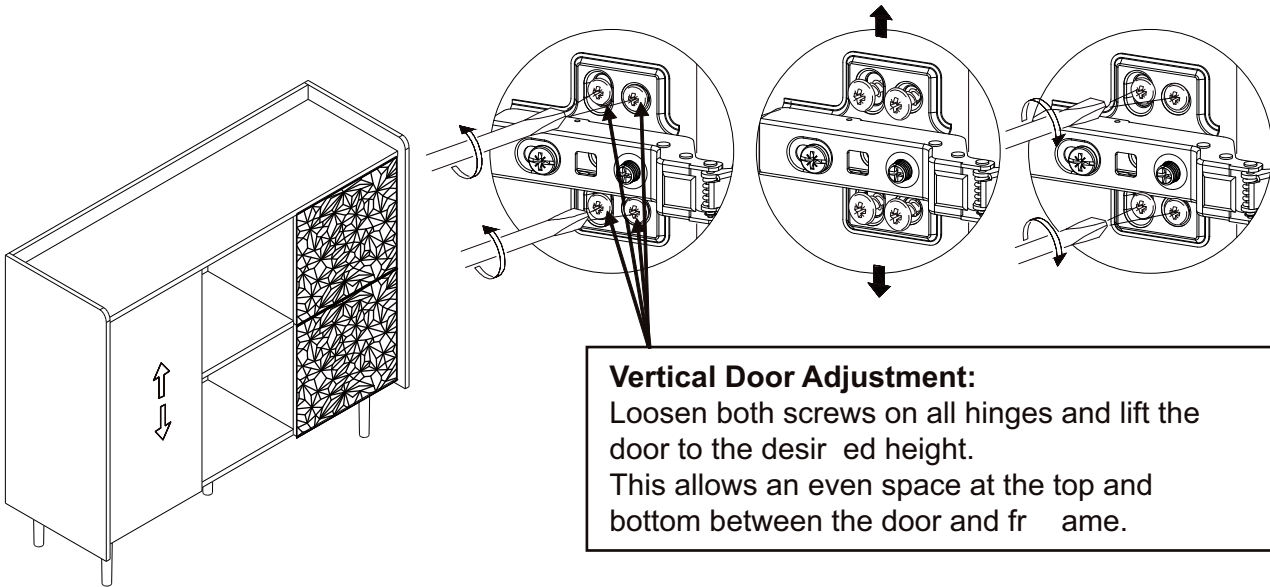
X2





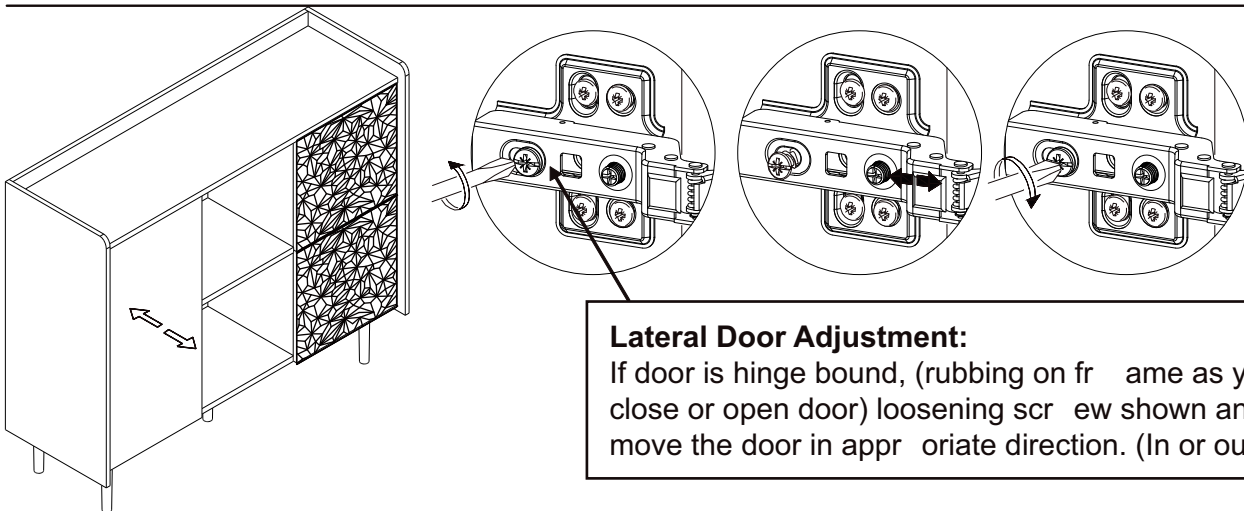
Customer Attention:

To align doors and control gap in between doors. Product doors may need adjusting during and after assembly. This can be done by adjusting appropriate screws. See below illustration.



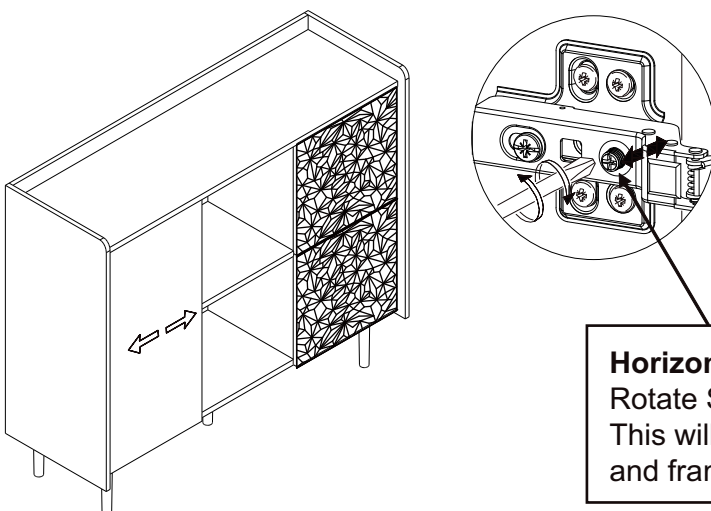
Vertical Door Adjustment:

Loosen both screws on all hinges and lift the door to the desired height. This allows an even space at the top and bottom between the door and frame.



Lateral Door Adjustment:

If door is hinge bound, (rubbing on frame as you close or open door) loosening screw shown and move the door in appropriate direction. (In or out)



Horizontal Door Adjustment:

Rotate Screw clockwise or anticlockwise. This will produce an even gap between doors and frame.