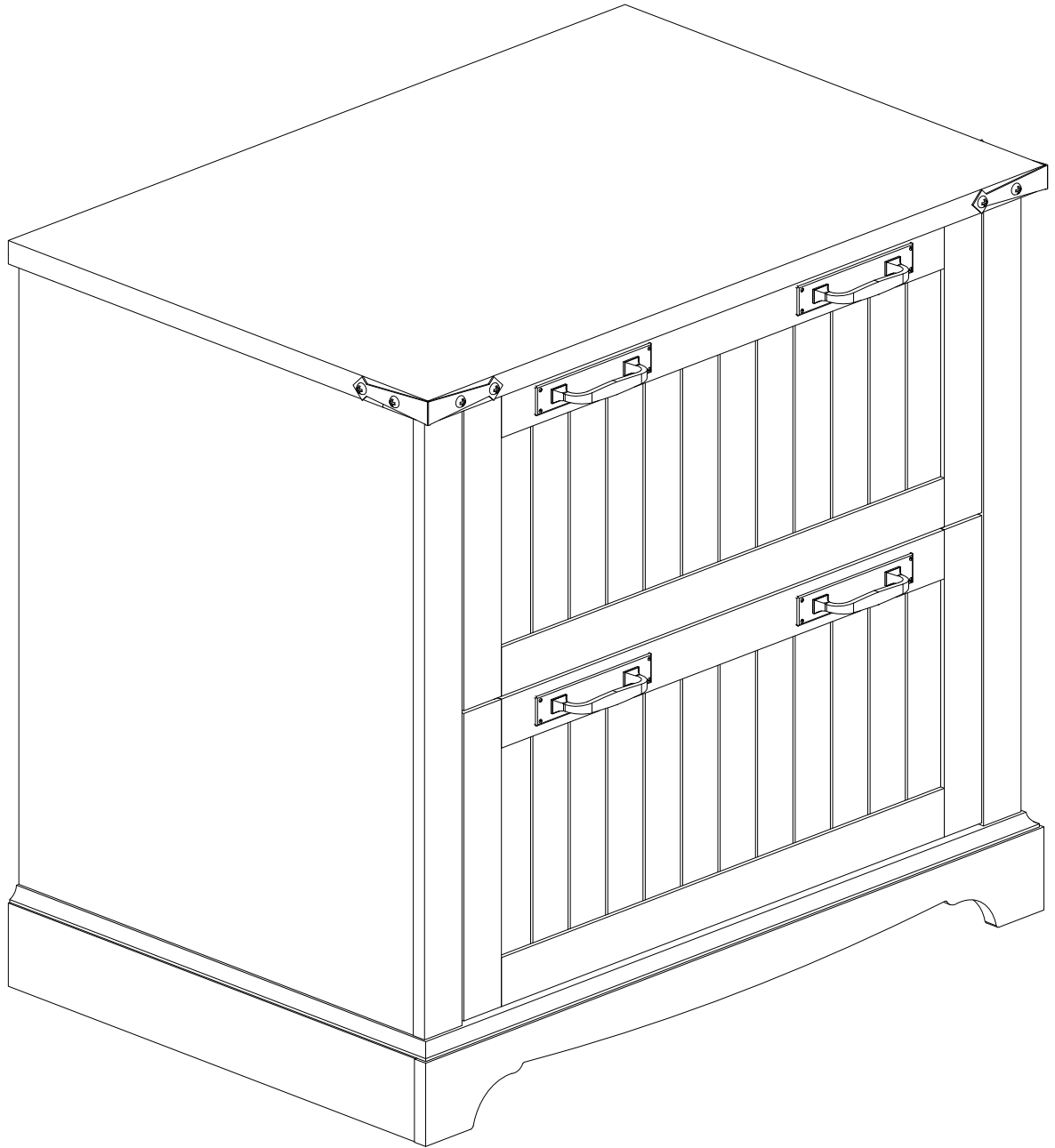


# BDCLFC-N

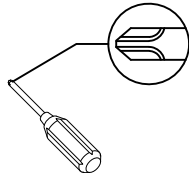
## Assembly Instructions



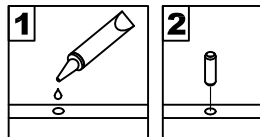
Date 2025-09-03 Rev. 01-A

# General Assembly Guidelines

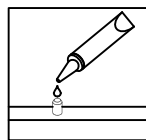
- I. Ensure that all parts and hardware are available before beginning assembly.
- II. Follow each step carefully to ensure the proper assembly of this product.
- III. Two people are recommended for ease in the assembly of this product.
- VI. A Phillips head screwdriver is required for the assembly of this product .



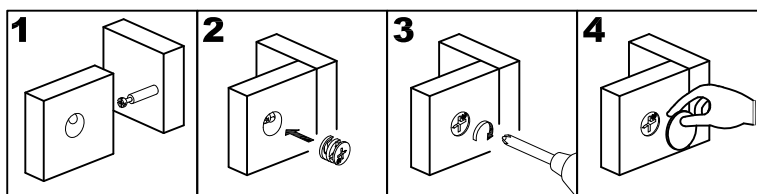
- V. The provided glue is to secure wood dowels in place . When first inserting dowels , locate the appropriate hole for the dowel , place a small amount of glue in the hole and insert the dowel . Wipe away excess glue immediately.



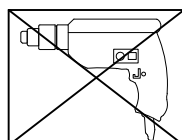
In future assembly steps when dowels are necessary to attach assembly parts together , place a small amount of glue on the end of the dowel before attaching parts together . Wipe away excess glue immediately.



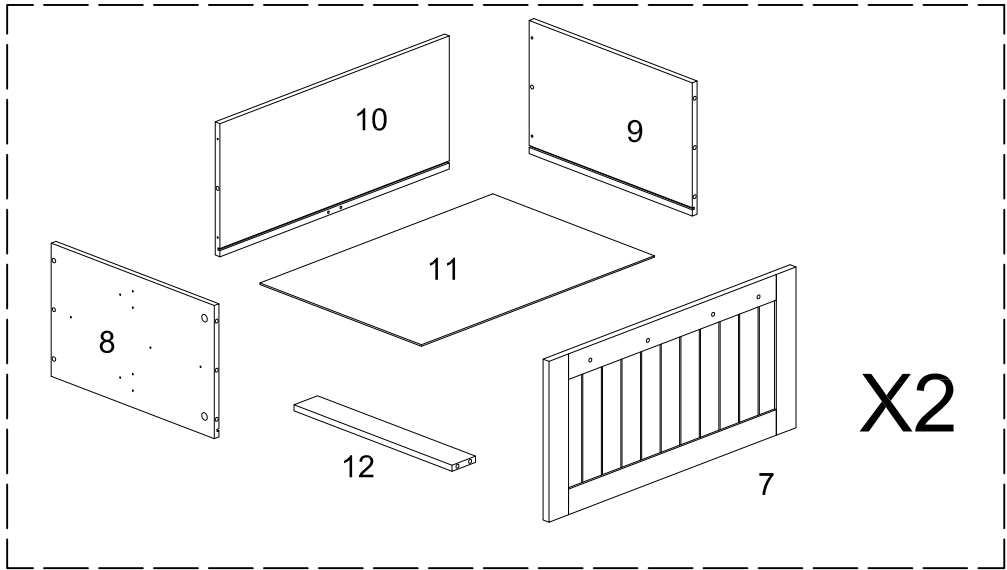
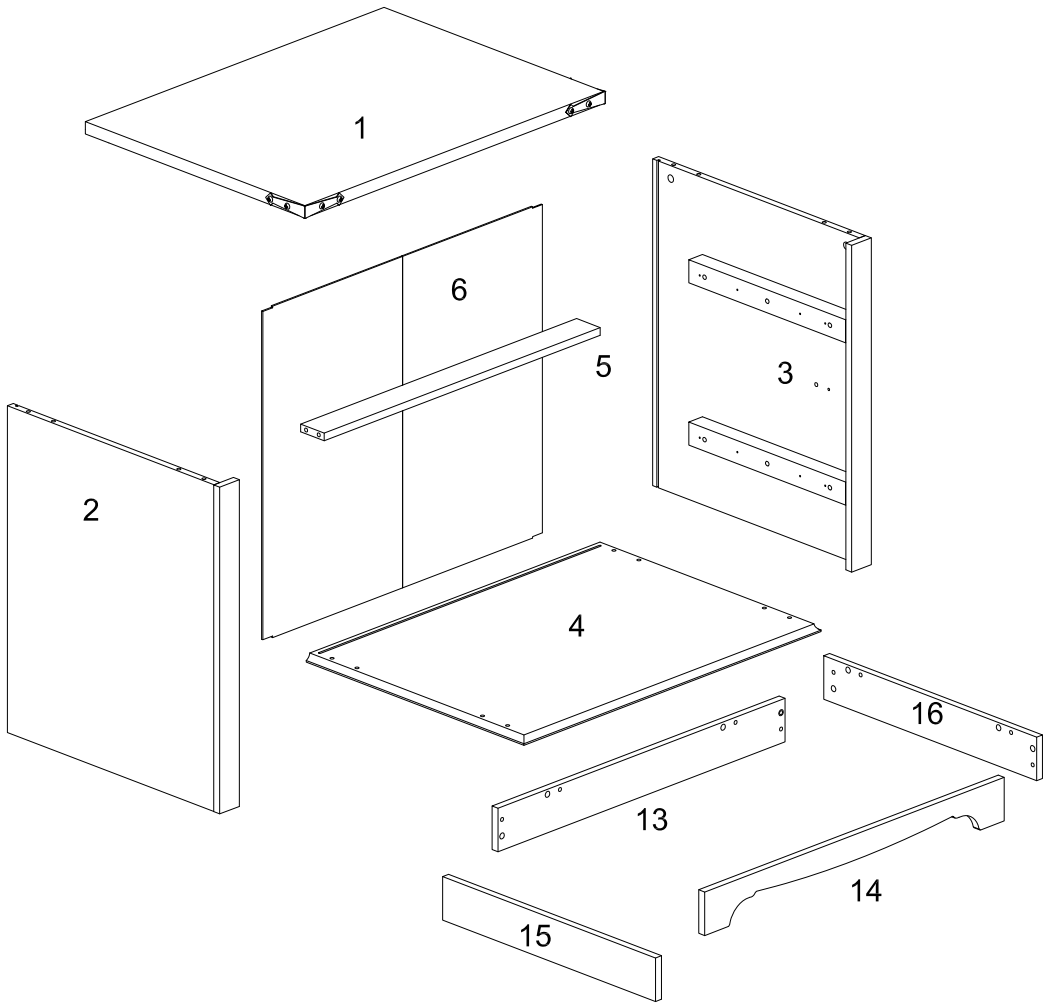
- VI. **HOW THE KNOCK DOWN (KD) ASSEMBLY SYSTEM WORKS**
  - 1.Screw the Cam Bolt into the pre-drilled hole on the panel. Make sure Cam Bolt goes into the pre-drilled hole on the end of panel for Cam Lock.
  - 2.Insert the Cam Lock into the pre-drilled large hole on the panel. Make sure the arrow on the face of Cam Lock points towards Cam Bolt.
  - 3.Take a Phillips screwdriver and rotate the Cam Lock clockwise to lock the Cam Bolt.
  - 4.Use the sticker to conceal the Cam.




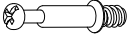



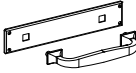

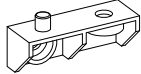







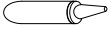
- VII. Power tools should not be used to assemble this product .

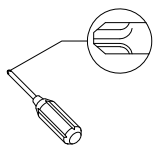


# Parts List



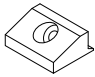


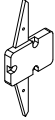



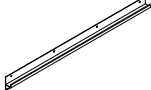


# Hardware List

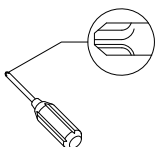
A		Ø8x30mm	Dowel	10 pcs
B		Ø6x35mm	Cam Bolt	18 pcs
C		Ø15x12mm	Cam Lock	6 pcs
D		Ø15x10mm	Cam Lock (Small)	12 pcs
E		Ø30mm	Cam Cover	18 pcs
F			Handle	4 pcs
G		Ø4x9mm	Handle bolt	8 pcs
H			Connector	12 pcs
I		1/4x12mm	Bolt	24 pcs
J		Ø6x50mm	Screw	4 pcs
K		Ø3x15mm	Screw	3 pcs
L		Ø3x12mm	Screw	42 pcs
M		Ø4x32mm	Screw	12 pcs
N		Ø6x30mm	Dowel (Small)	8 pcs
O		M4	Allen Wrench	1 pc
P			Glue Tube	1 pc



Philips head screwdriver required for assembly  
(not included)

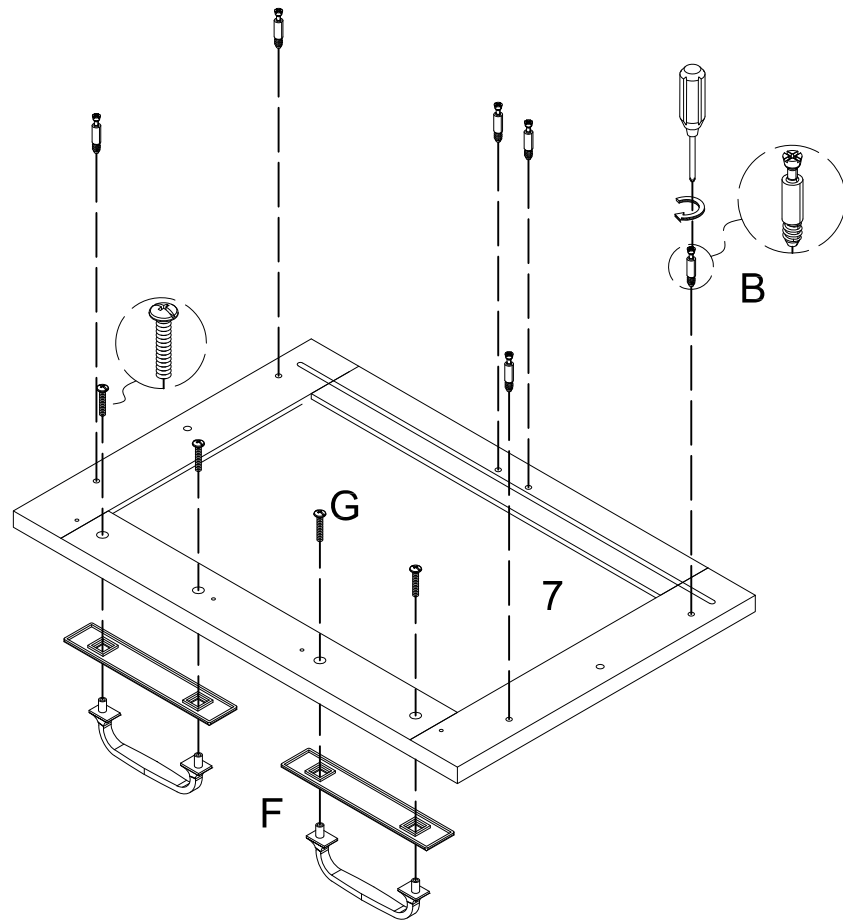
# Hardware List

Q			Plastic Wedge	10 pcs
R		Ø3x17mm	Flat-head Screw	10 pcs
S		16"	Drawer Slider	2 sets
T			Safety Stop	1 PC
U			Drawer Stop	2 PCS
V			Long File Rail	2 pcs
W			Short File Rail	4 pcs
X			Fixed file rail	2 pcs
Y			File hanger	4 pcs
Z			Tipping Restraint Hardware	1 set



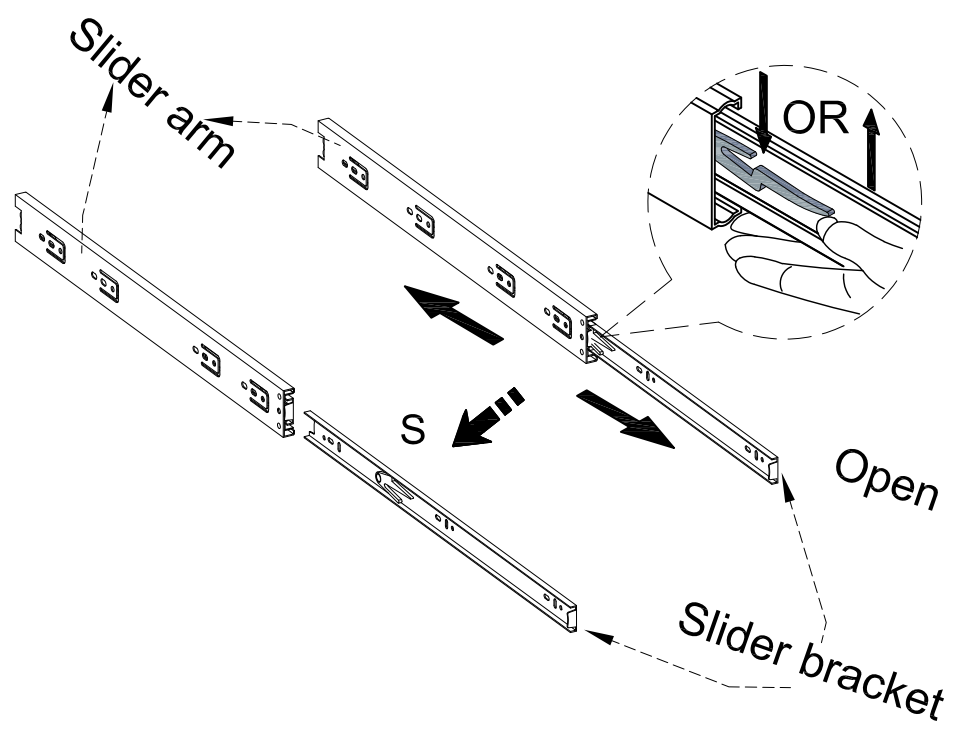
Philips head screwdriver required for assembly  
(not included)

# Step 1



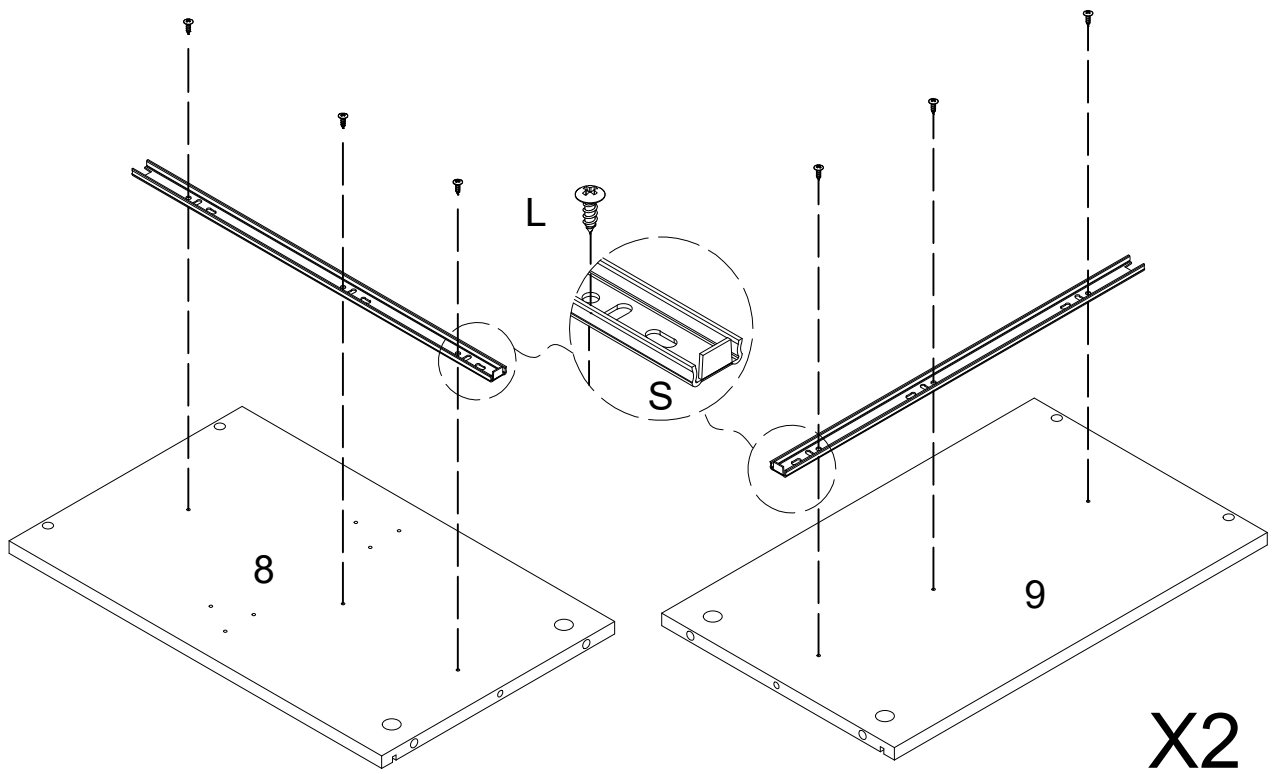
X2

# Step 2

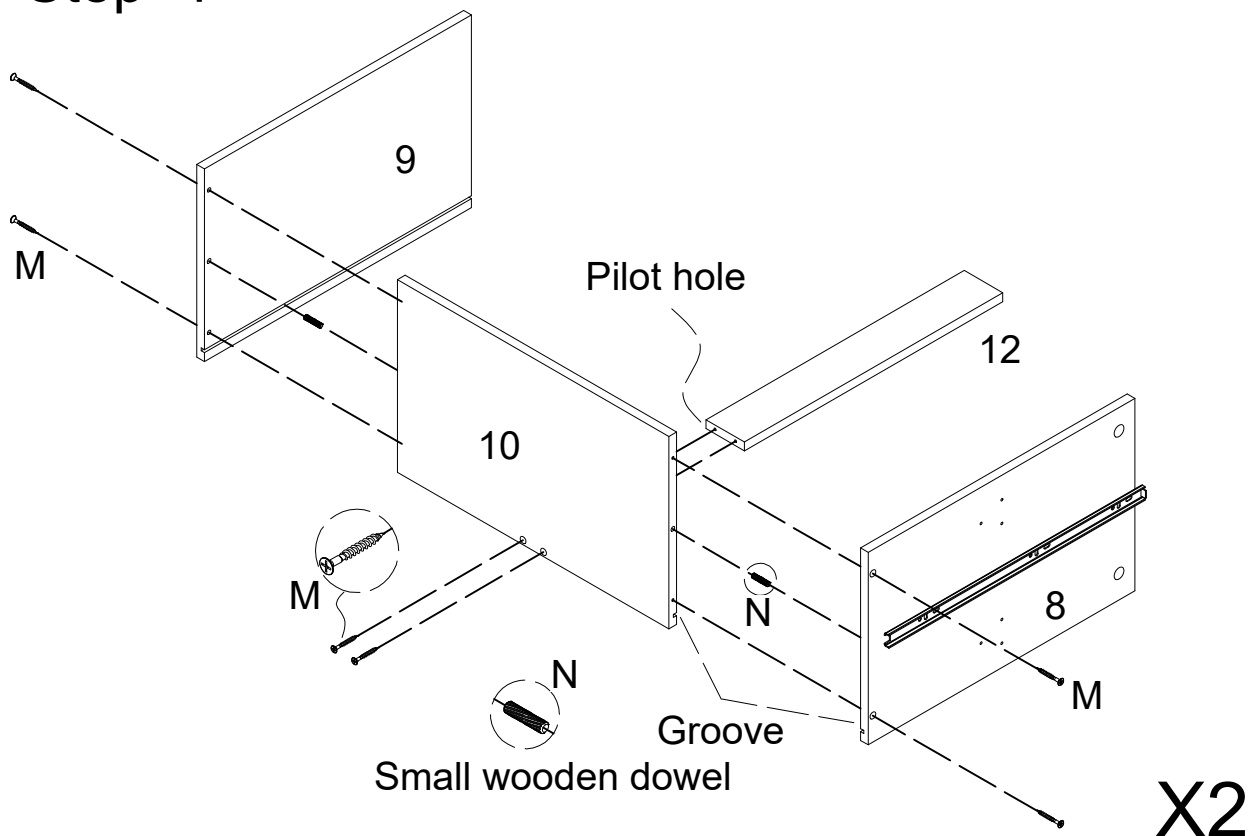


X4

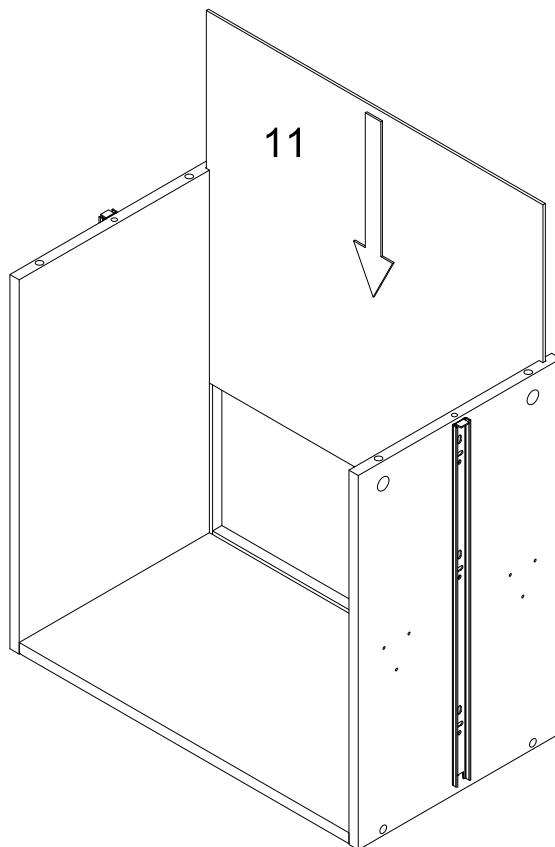
### Step 3



### Step 4

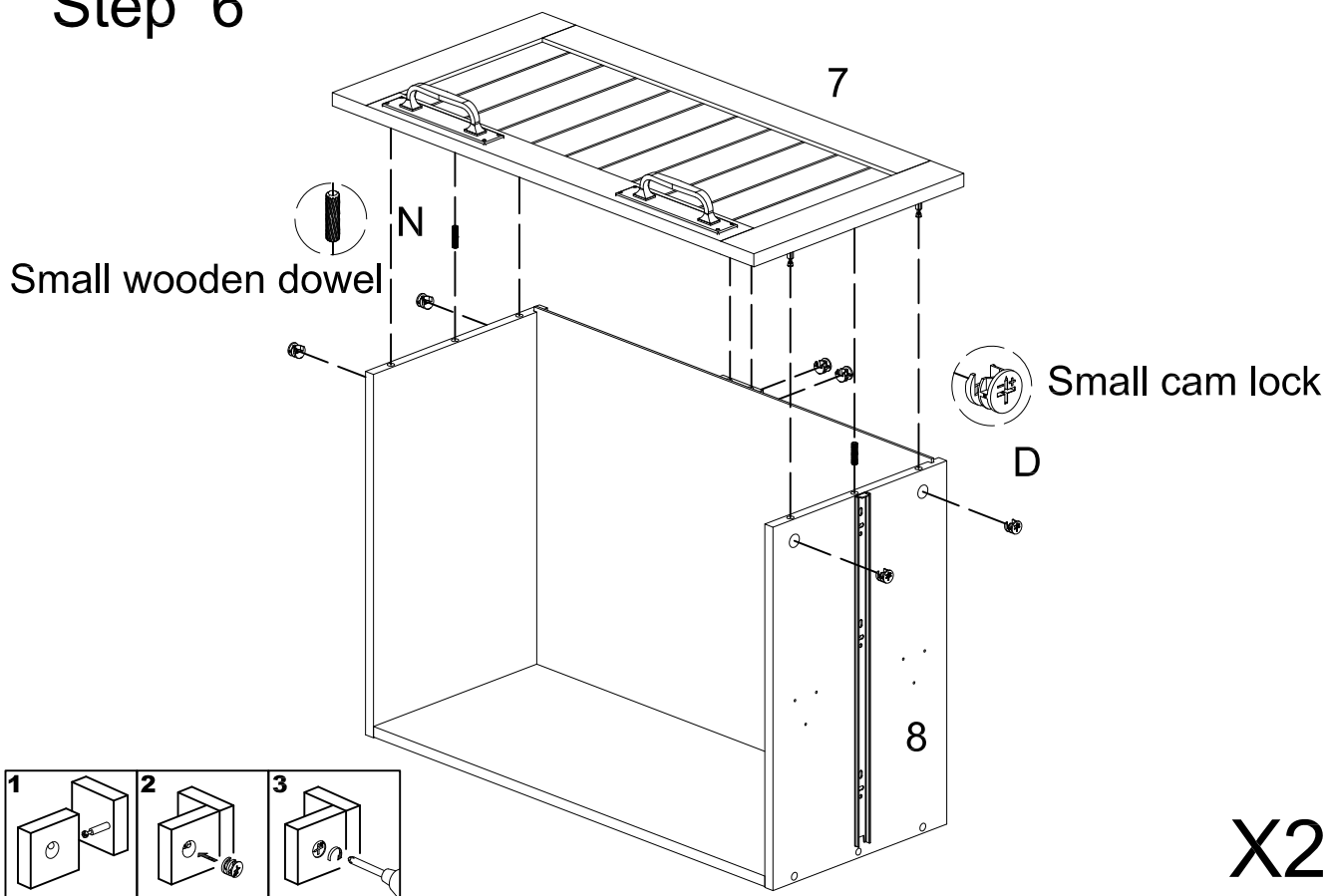


# Step 5



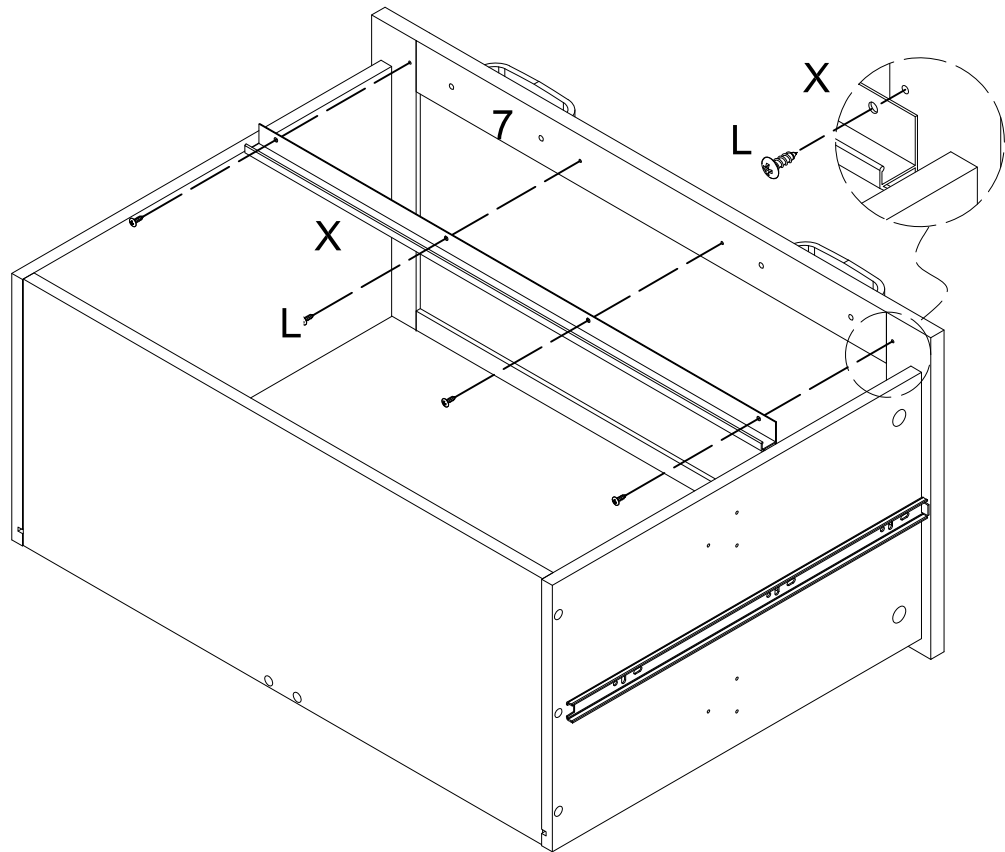
X2

# Step 6



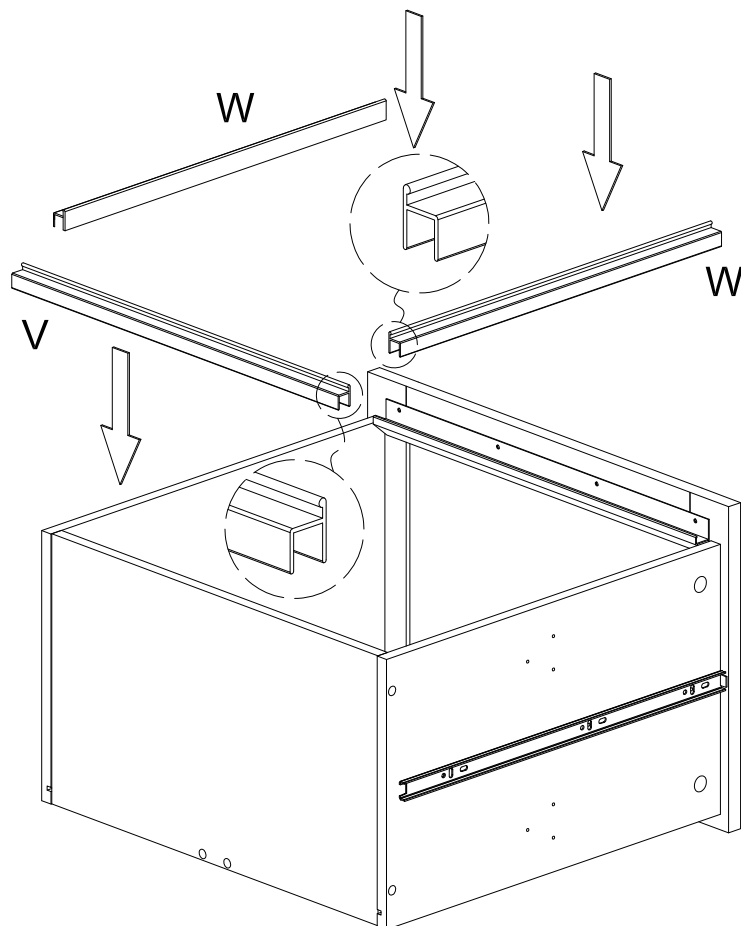
X2

# Step 7



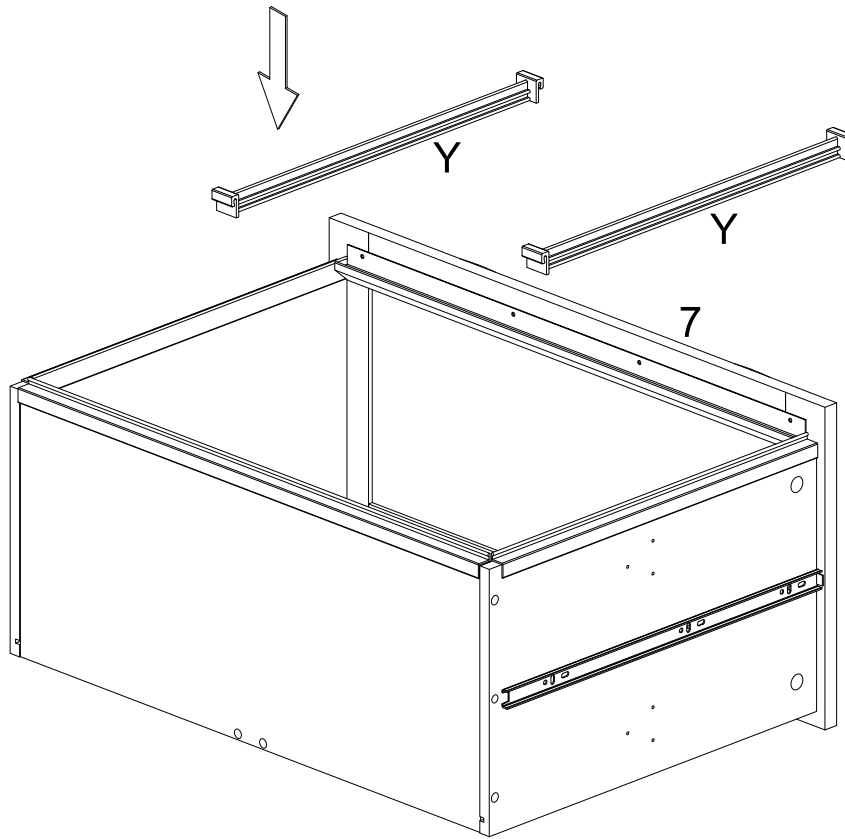
X2

# Step 8



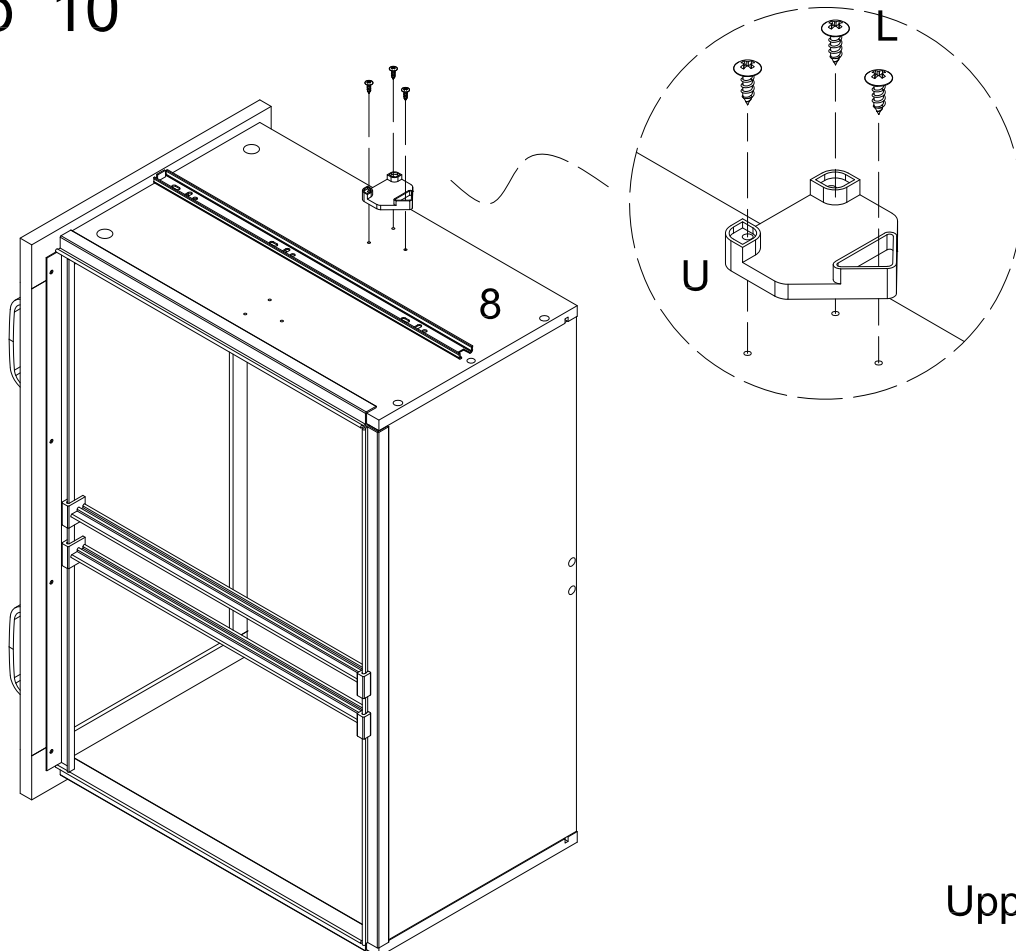
X2

# Step 9



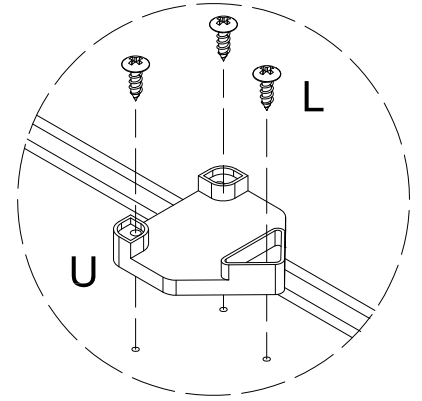
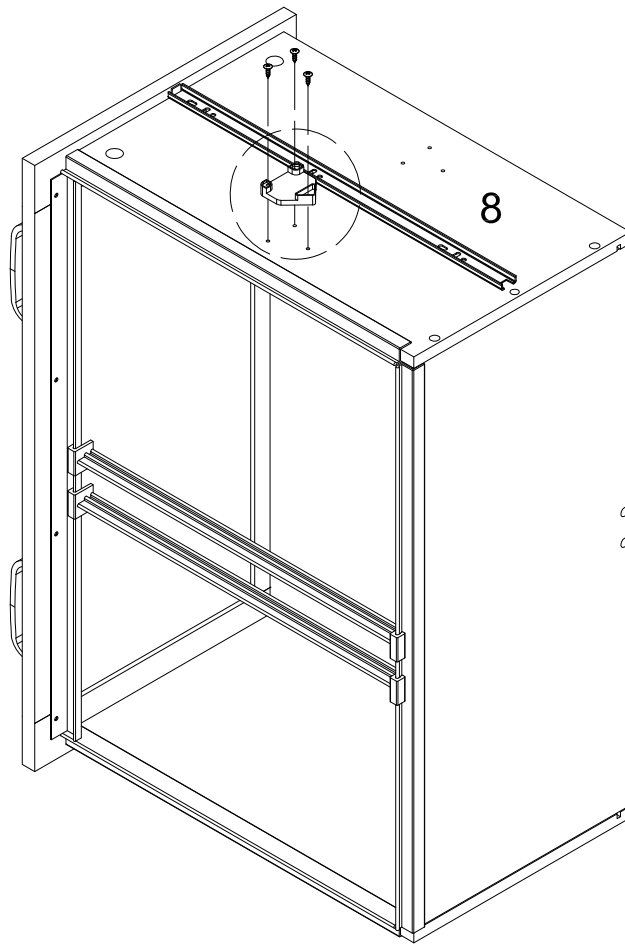
X2

# Step 10



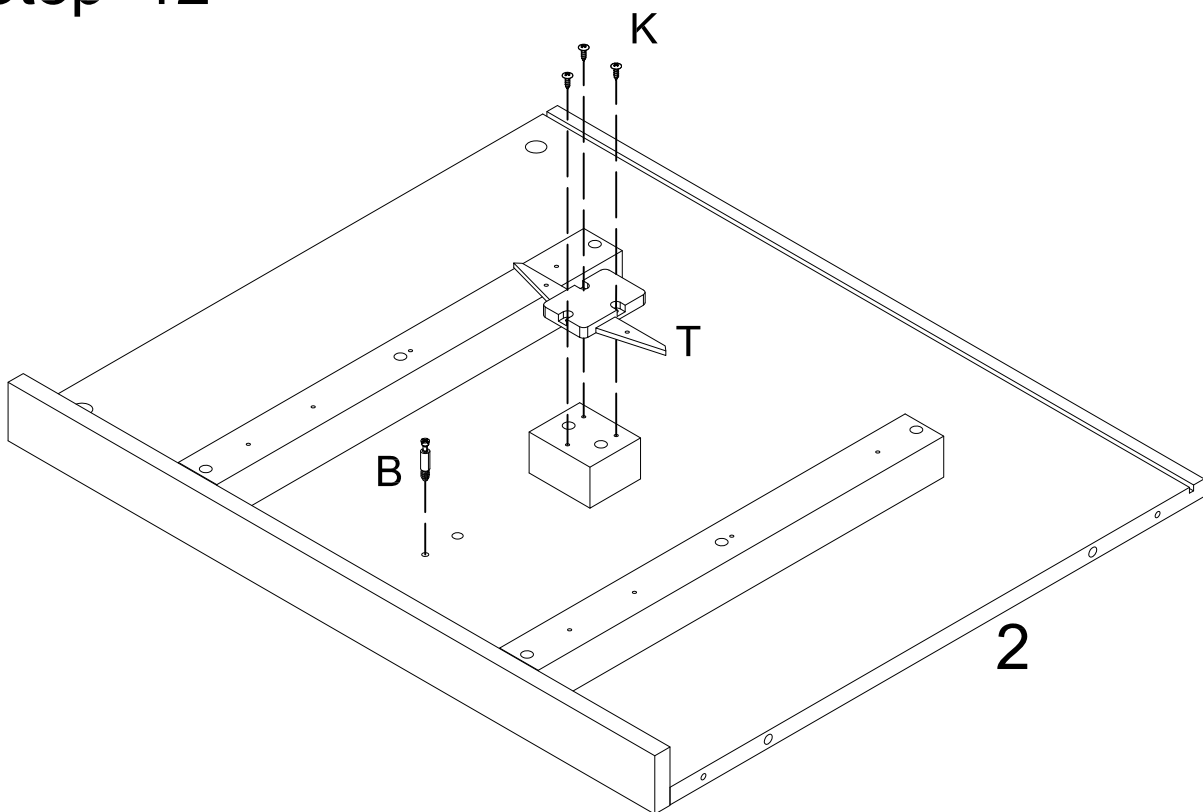
Upper Drawer

# Step 11

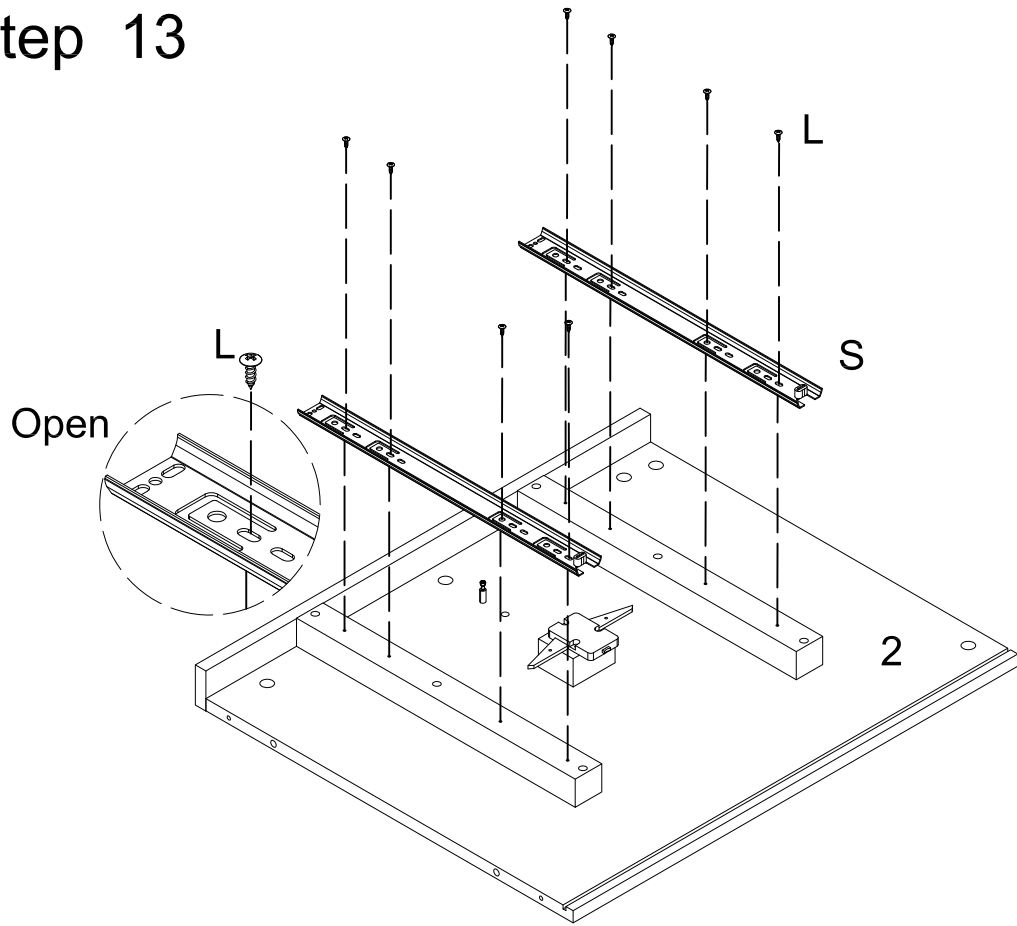


Lower Drawer

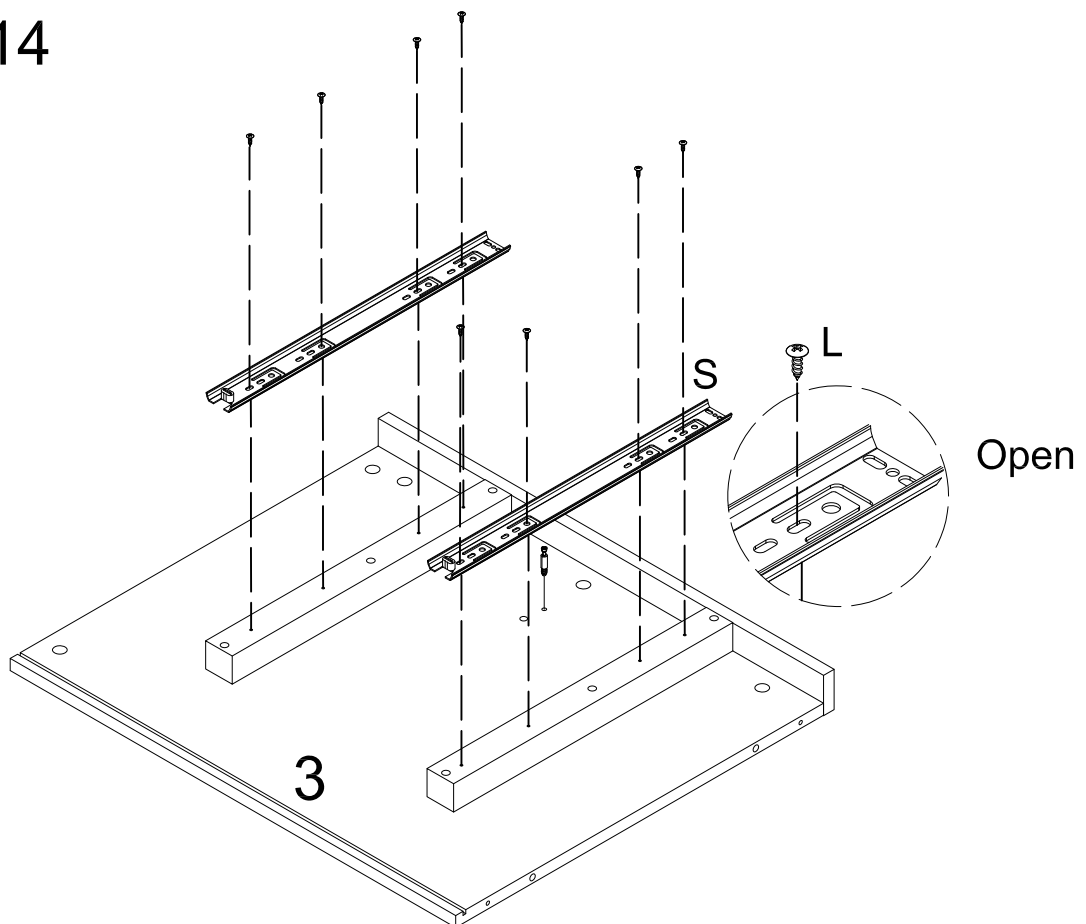
# Step 12



# Step 13

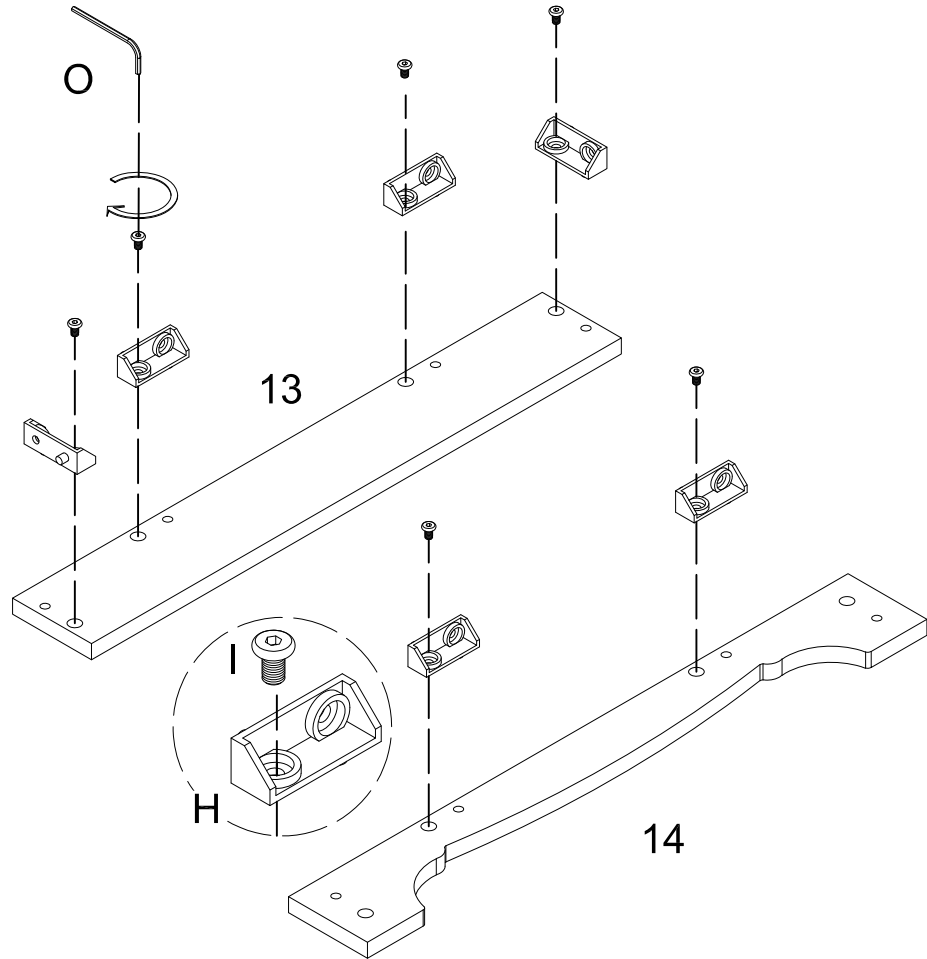


# Step 14

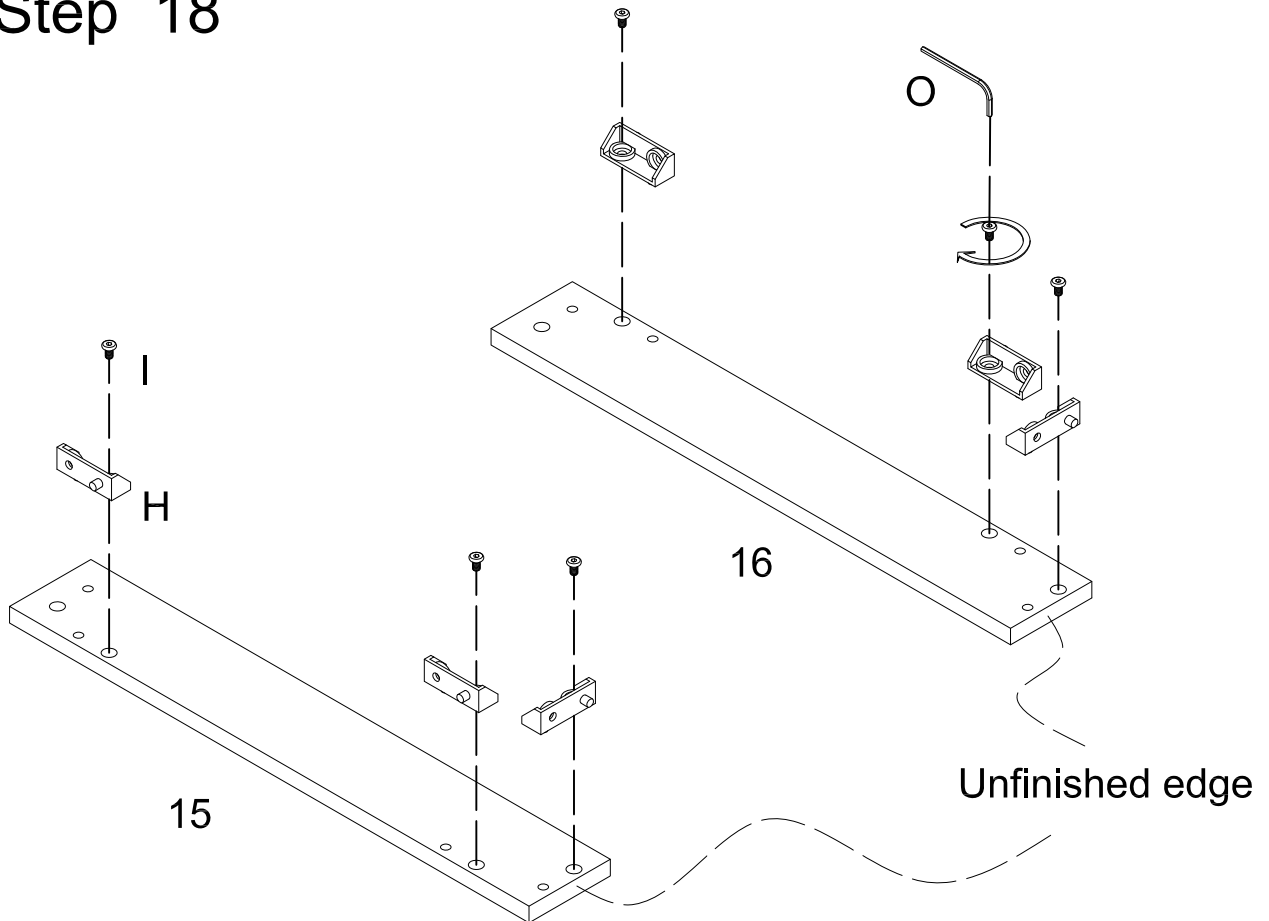




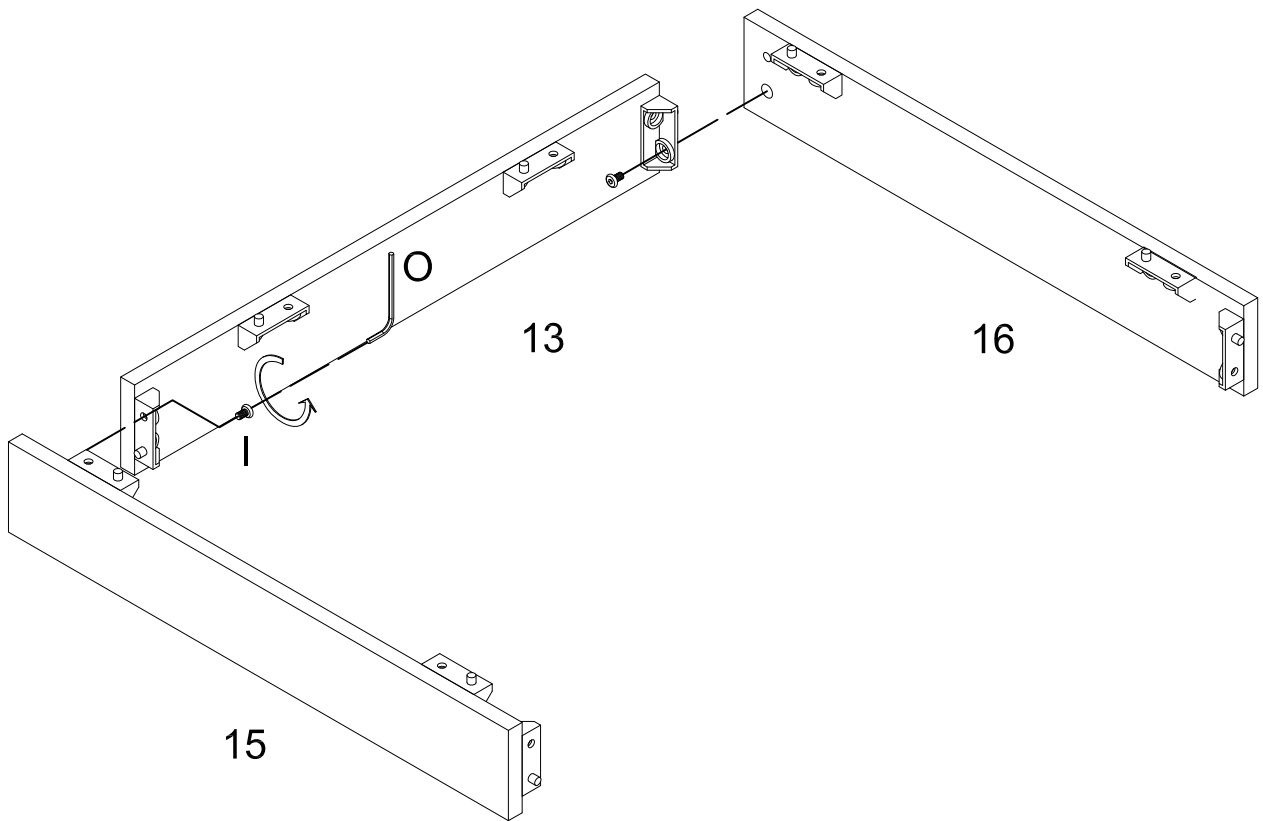
# Step 17



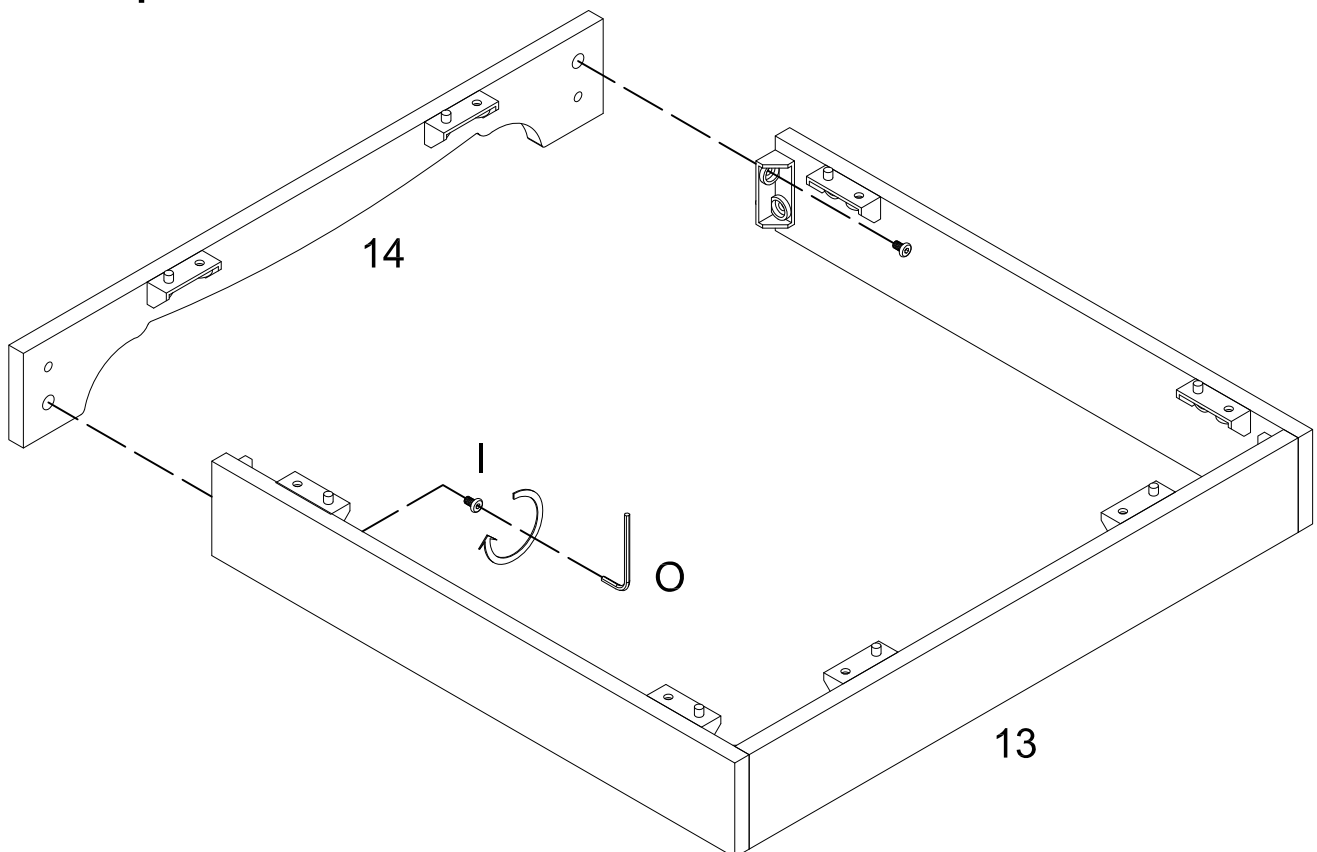
# Step 18



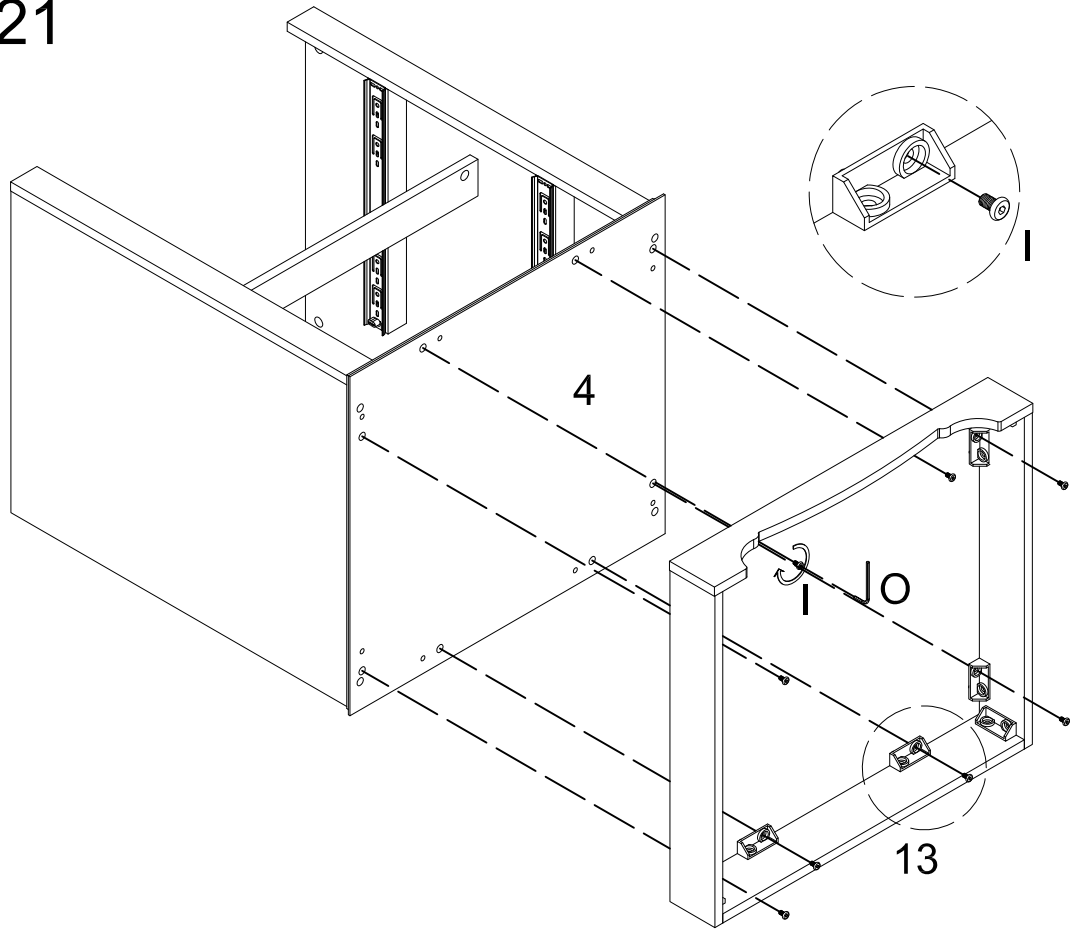
## Step 19



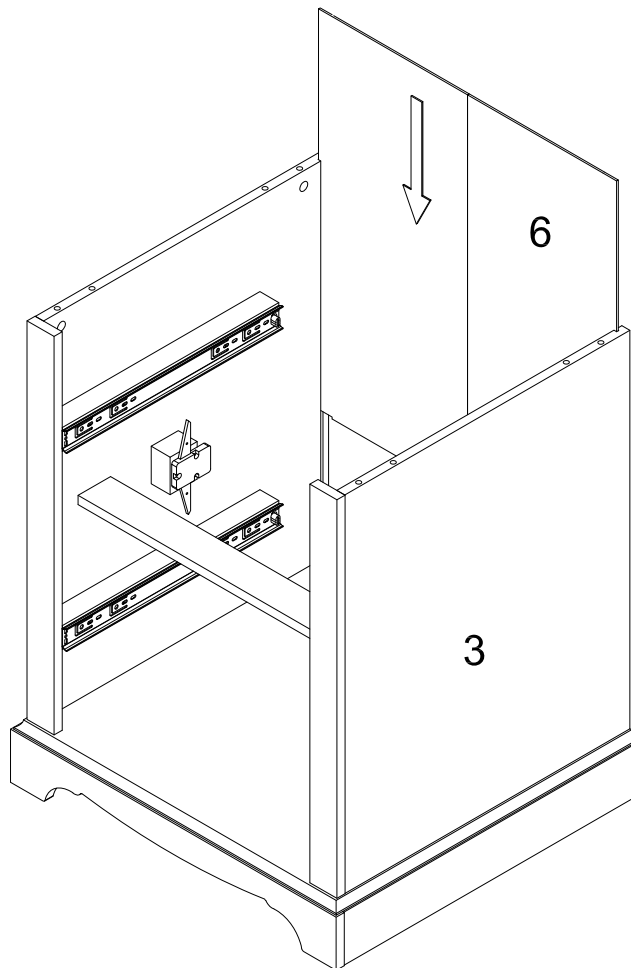
## Step 20



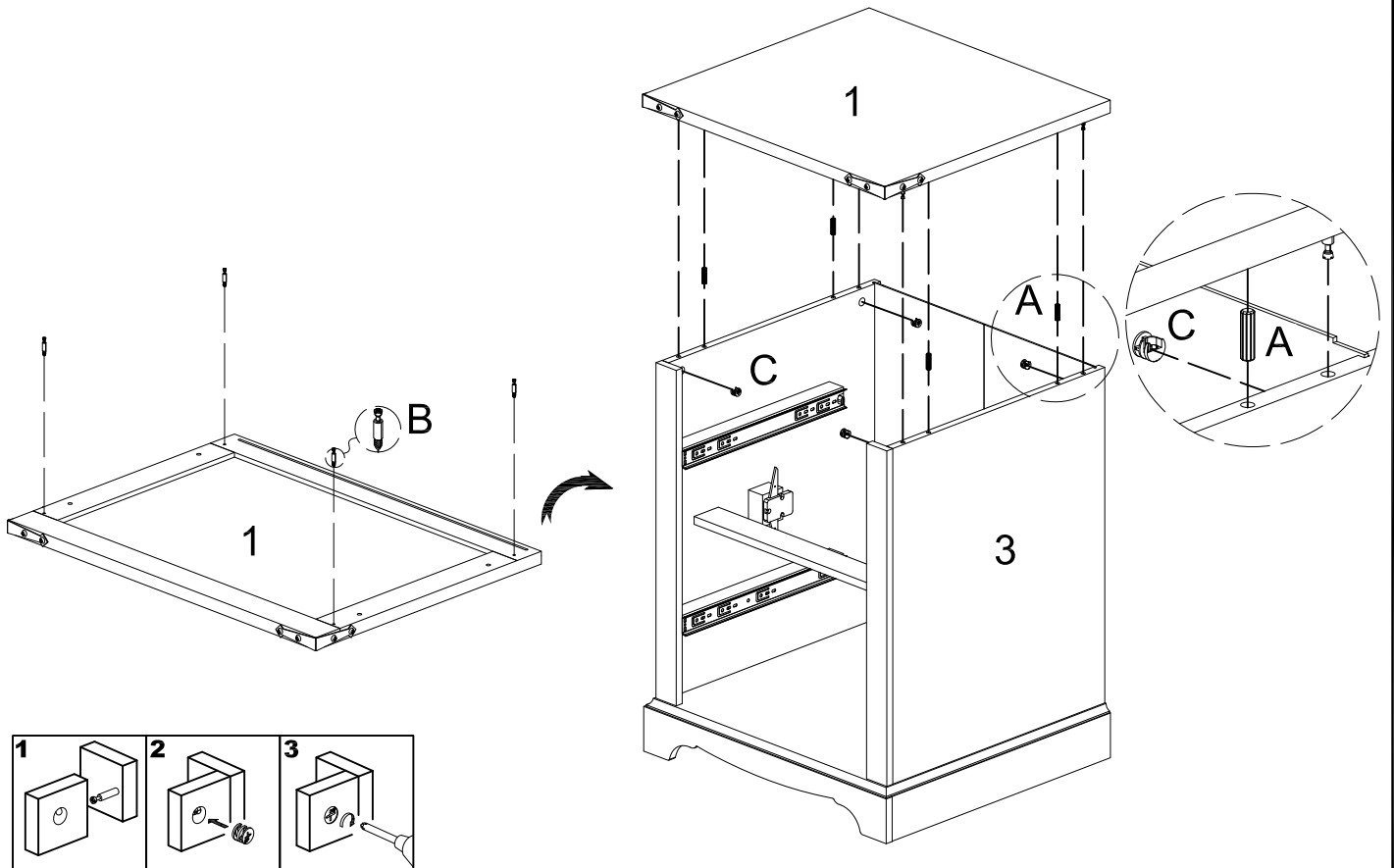
# Step 21



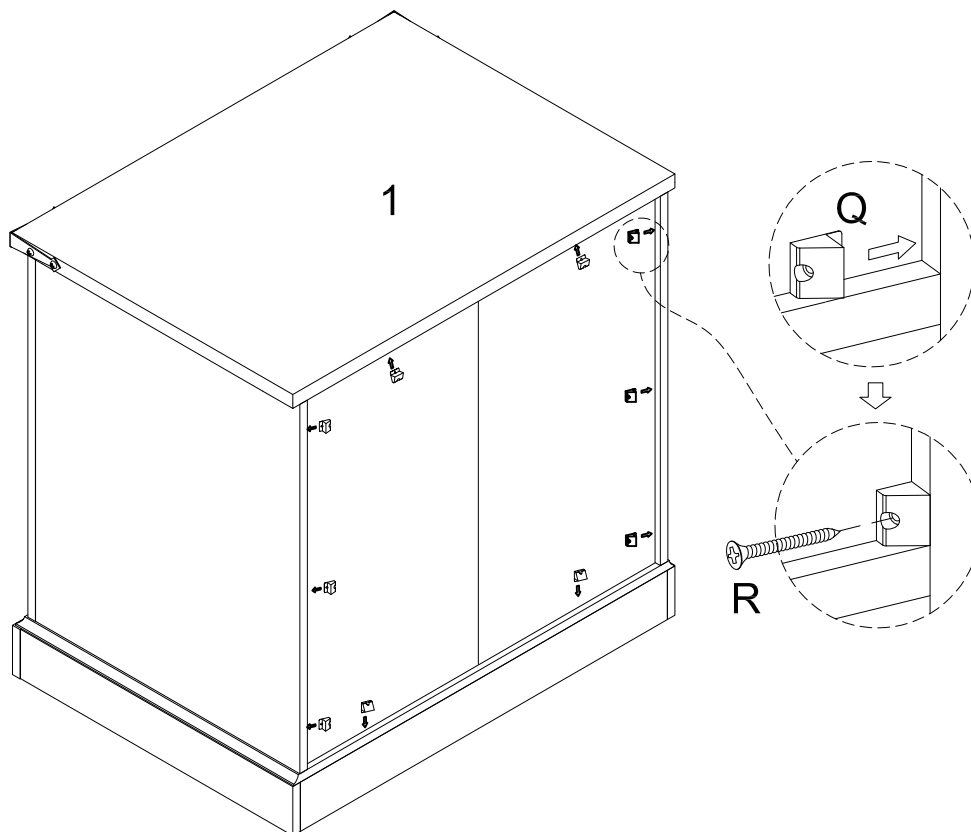
# Step 22



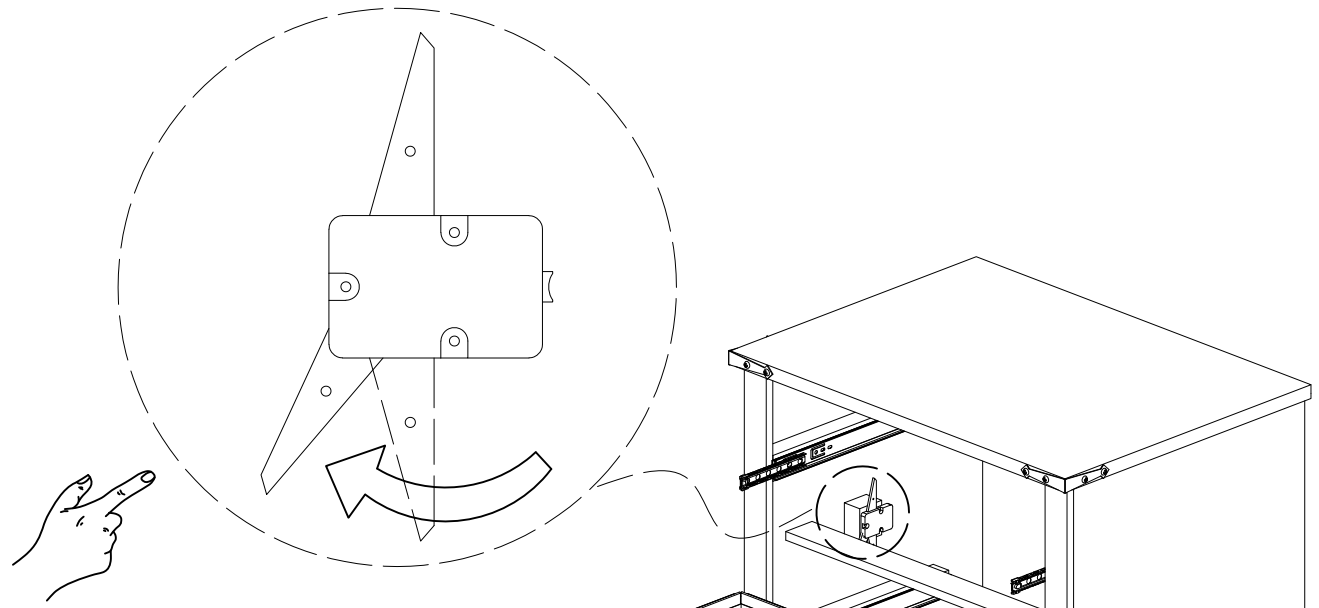
# Step 23



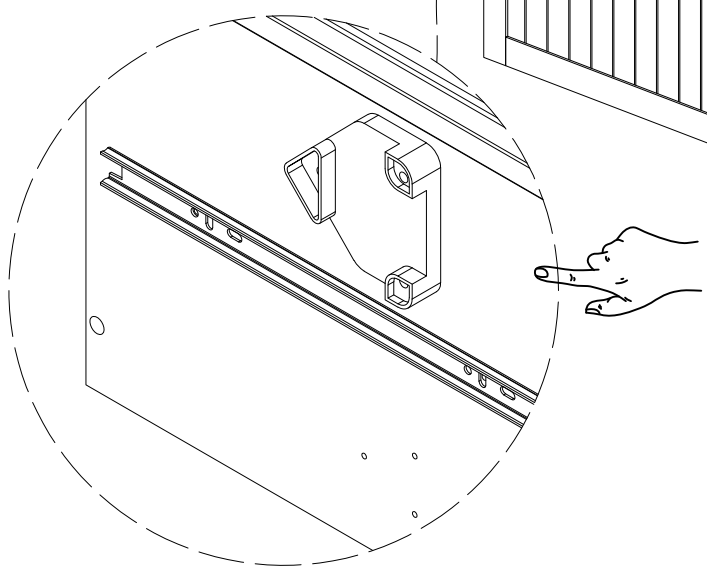
# Step 24



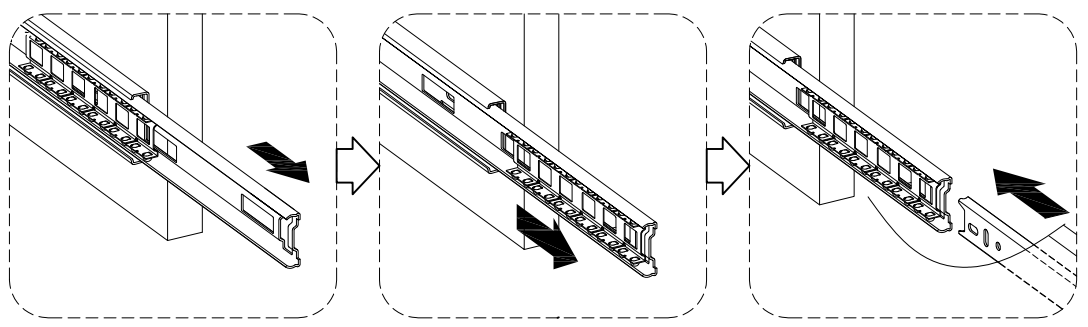
# Step 25



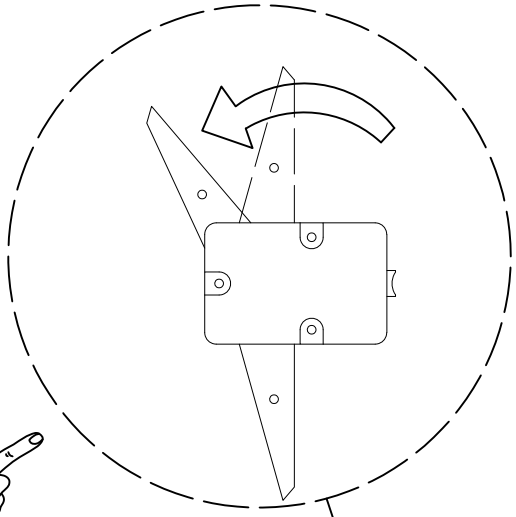
Special attention



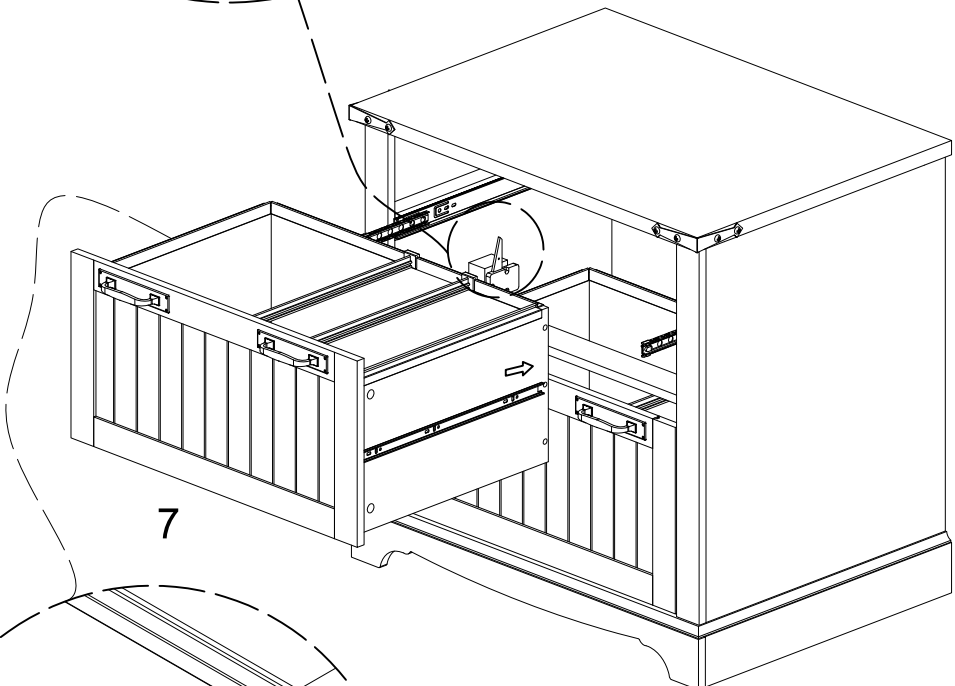
7



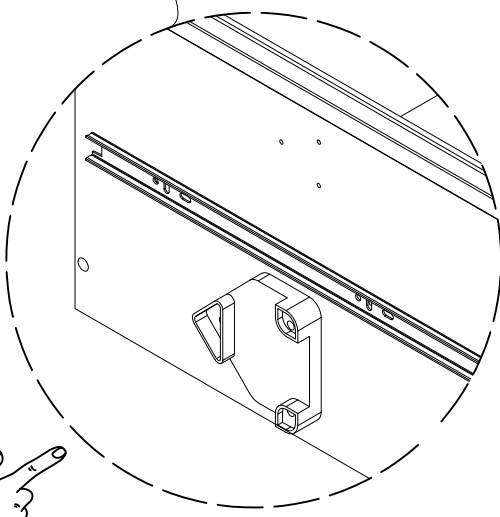
# Step 26



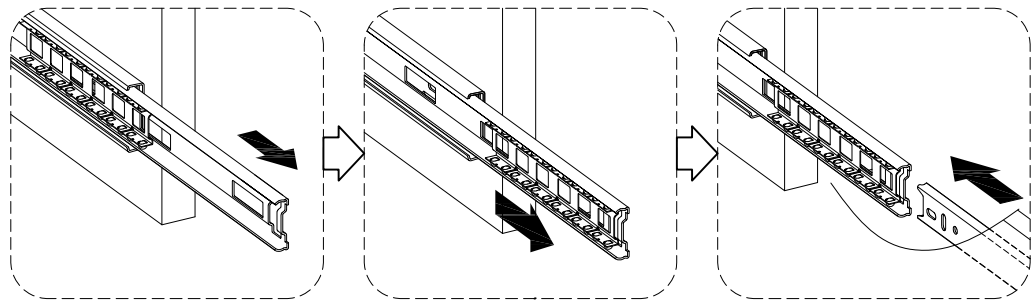
Special attention



7

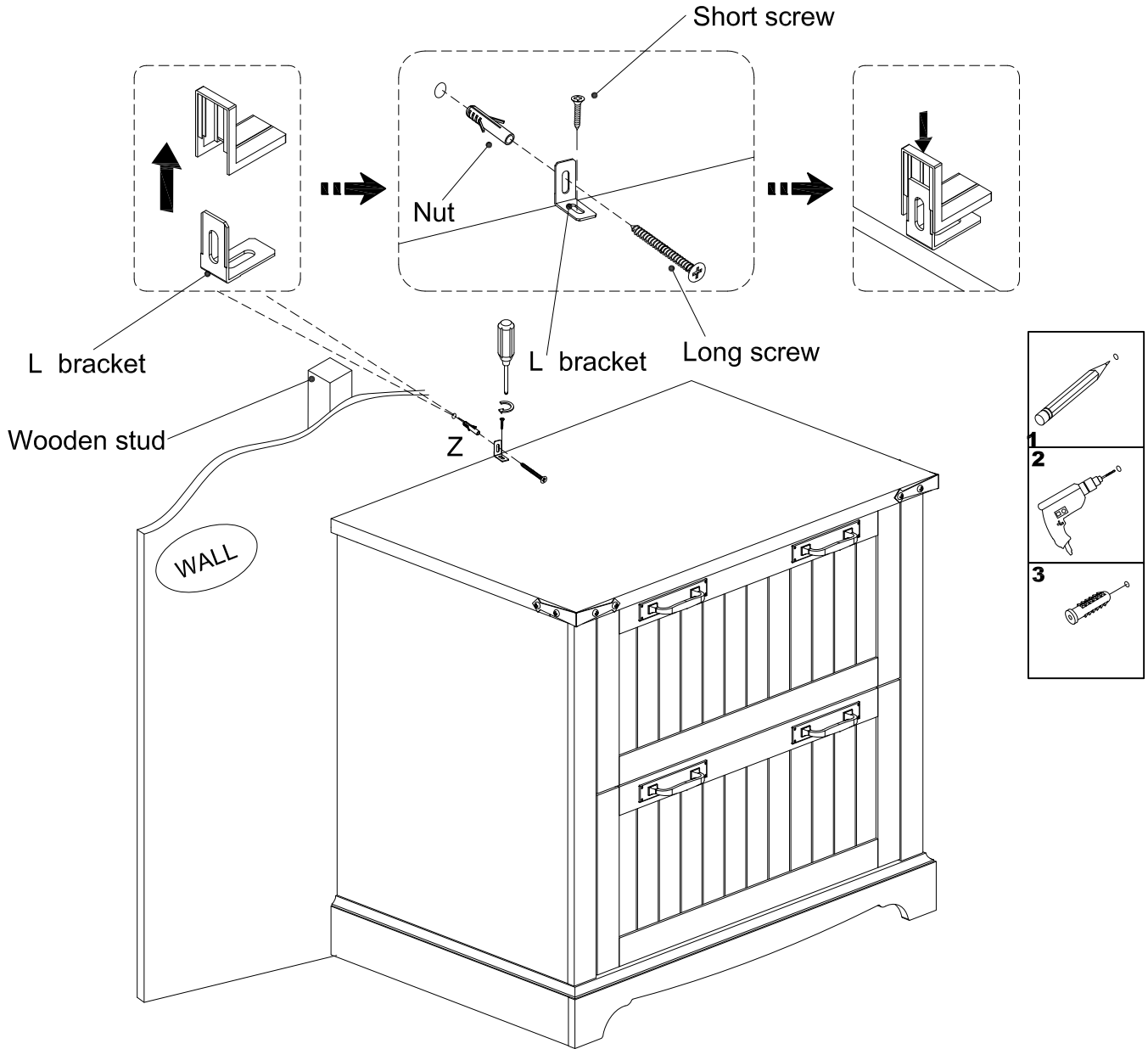


Upper drawer



# Step 27

Serious or fatal injuries can occur from furniture tipping over. To prevent the furniture from tipping over we recommend that it is permanently fixed to the wall. Wall anchor and hardware are included with this product. Please make sure hardware is suitable for your walls before installing, as different wall materials may require different types of anchors.



Final Assembly