

xButler Package

MS xBUTLER PACKAGE

For models MS90 to MSSUPER3

BOX CONTENT

- iSteam®X Touch Control
- iSteam® Steamhead
- SteamLinx™
- AutoFlush®
- Condensation Pan



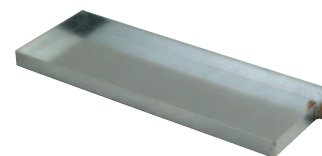
MAX xBUTLER PACKAGE

For models MX4, MX5 and MX6

Same as iButler Package except with an additional iSteam Steamhead, MAX AutoFlush and Condensation Pan.



SteamLinx Mobile App



NOTE: When ordered with the Linear Steamhead, standard steamhead(s) are replaced with 104480 Linear Steamhead(s).

FOR ILLUSTRATIVE PURPOSES ONLY. IMPORTANT NOTE: FOR SAFE AND TROUBLE FREE INSTALLATION

visit mrsteam.com before installation to download the Installation, Operation and Maintenance Manual or refer to the manual provided with the unit.

| MODEL | FINISH | PROJECT INFORMATION | |
|---|--------------------------------|---------------------|---------------|
| <input type="checkbox"/> MS xButler | <input type="checkbox"/> Black | Location: | Contractor: |
| <input type="checkbox"/> MAX xButler | <input type="checkbox"/> White | Architect: | Submitted By: |
| OPTIONS: <input type="checkbox"/> Linear Steamhead | | Engineer: | Date: |
| Notes: | | | |

xButler Package

Technical Specifications

Control

| | | |
|-----------------|--------|-------|
| iSteamX Control | TS0090 | 01-23 |
|-----------------|--------|-------|

SteamHead

| | | |
|---------------------------------|--------|-------|
| (standard) AromaSteam SteamHead | TS0010 | 05-22 |
|---------------------------------|--------|-------|

| | | |
|---------------------------|--------|-------|
| (option) Linear Steamhead | TS0085 | 05-23 |
|---------------------------|--------|-------|

Accessories

| | | |
|-----------|--------|-------|
| SteamLinx | TS0077 | 05-22 |
|-----------|--------|-------|

| | | |
|------------------|--------|-------|
| Condensation Pan | TS0012 | 05-22 |
|------------------|--------|-------|

AutoFlush

| | | |
|-----------------------------------|--------|-------|
| (MS & Super) MS / Super AutoFlush | TS0011 | 05-22 |
|-----------------------------------|--------|-------|

| | | |
|-------------------|--------|-------|
| (MX) MX AutoFlush | TS0081 | 05-22 |
|-------------------|--------|-------|

iSteam®X

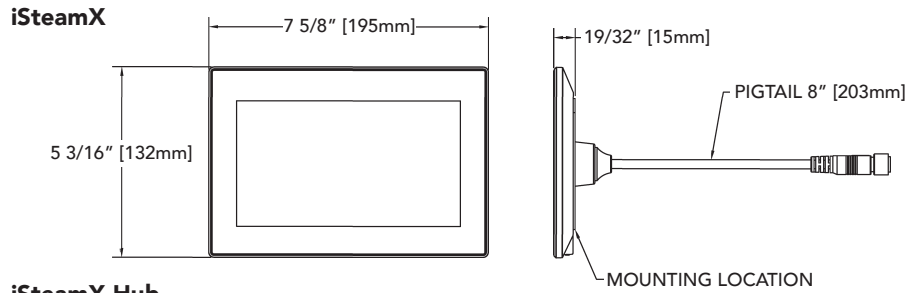
Dimensional Information

Box Contents:

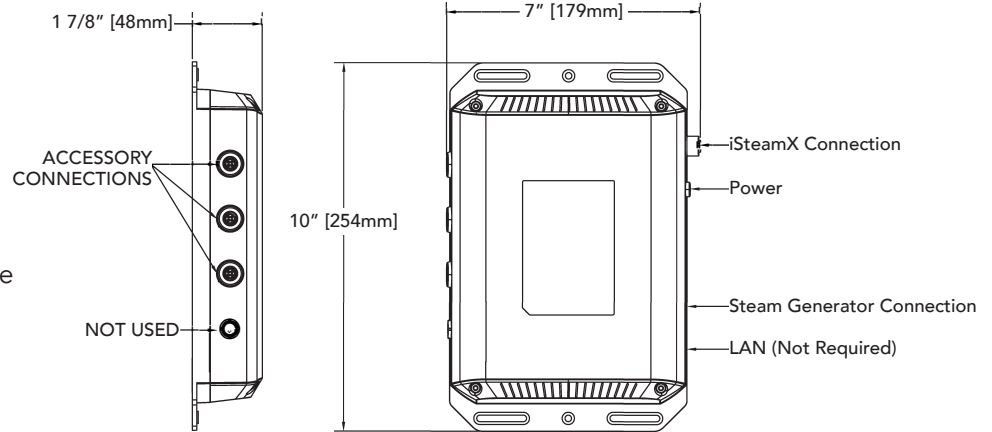
- iSteamX
- Owner's Manual
- Control Cable (30 ft. (9m))
- Steamhead
- iSteamX Hub
- iSteamX Cable
- iSteamX Hub Power Supply (w/Integral 5ft [1.5m] Cable)
- Tube of Silicone Sealant

iSteam controls surface mount in the steam/shower enclosure through a 1-1/4" [32mm] hole. They are suitable for use with SteamLinX™ mobile app control. iSteam controls are suitable for use inside or outside the steam/shower enclosure, featuring:

- Full color LCD touch screen
- Programmable temperature
- Programmable time
- Eight user profiles
- Eight user presets per profile
- AromaSteam, ChromaSteam and Audio controls
- Passcode to prevent unintentional use of steam bath
- Includes AromaSteam Steamhead in white or black
- Compatible with SteamLinX
- Low voltage operation
- Popular music and video apps pre loaded



iSteamX Hub



The iSteam controls are designed to be installed inside or outside the steam room but is primarily installed inside the steam room. If the control is installed inside the steam room the control must be located:

- 4-5 ft. (1.2 – 1.5m) above the floor
- In a location representative of the desired steam bathing temperatures near the bather seating area. Do not locate the control above or near the steamhead or direct steam emissions.
- On a vertical wall

The control cable and the hub cable length are 30 ft. (9m) each. Insure that the control and/or steam generator are located accordingly. An optional 60 ft. (18m) cable versions are available if required. If the control is installed outside the steam room a Remote Temperature Probe Part Number MST5 must be installed inside the steam room.

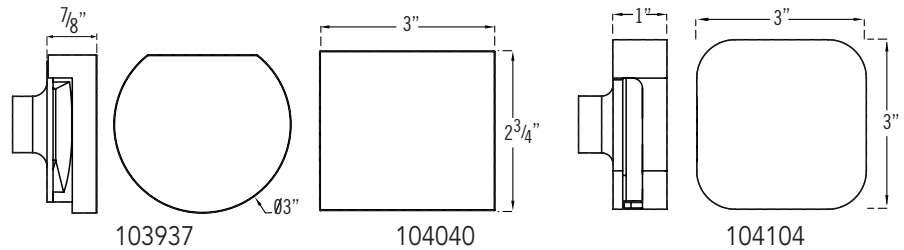
| MODEL | COLOR | PROJECT INFORMATION | |
|--|--|---------------------|---------------|
| iSeamX | <input type="checkbox"/> BK= Black | Location: | Contractor: |
| | <input type="checkbox"/> WH= White | | |
| | FINISH | | |
| | <input type="checkbox"/> BB= Brushed Bronze | Architect: | Submitted By: |
| | <input type="checkbox"/> BN= Brushed Nickel | | |
| | <input type="checkbox"/> MB= Matte Black | | |
| | <input type="checkbox"/> OB= Oil Rubbed Bronze | | |
| | <input type="checkbox"/> PB= Polished Brass | Engineer: | Date: |
| | <input type="checkbox"/> PC= Polished Chrome | | |
| | <input type="checkbox"/> PN= Polished Nickel | | |
| <input type="checkbox"/> SB= Satin Brass | | | |

Notes:

AromaSteam Steamhead

Round 103937, Square 104040, 104104

- Even distribution of steam while remaining cool to the touch
- No field assembly required
- No moving parts
- Integrated aromatherapy oil well for in shower use



Round & Square Steamhead Installation (1/2" NPT)

IMPORTANT: Do not disassemble steamhead. MrSteam's steam head is shipped fully assembled and requires no additional assembly.

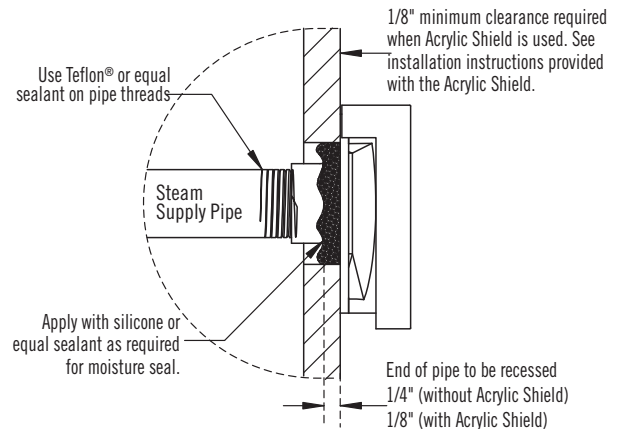
CAUTION Because the steamhead and direct steam emissions are very hot, locate the steamhead where incidental contact by bather with the steamhead or direct steam emission cannot occur.

NOTE: A 1.5" clearance hole around the steam pipe is needed to mount the steamhead.

Locate steamhead 6-12 inches above floor, except for:

- Tub/shower enclosures, install 6 inches above tub top edge.
- For enclosures with acrylic or other non-heat resistant flooring install Acrylic Shield Part Number 103938/10398SQ

IMPORTANT NOTE: To preserve steamhead finish, do not use wrench or other tools to tighten. DO NOT use abrasive cleansers or chemicals. Use only water with mild soap and a non-abrasive sponge.



CAUTION Consult with supplier of acrylic, fiberglass and other non-heat resistant enclosures for recommended steamhead location. Use Acrylic Shield PN 103938/103938SQ. See instructions provided with steam shield. (An acrylic shield is not available for the iSteam steamhead.)

FOR ILLUSTRATIVE PURPOSES ONLY. IMPORTANT NOTE: FOR SAFE AND TROUBLE FREE INSTALLATION visit mrsteam.com before installation to download the Installation, Operation and Maintenance Manual or refer to the manual provided with the unit.

| MODEL | FINISH** | PROJECT INFORMATION |
|--|--|---------------------|
| <input type="checkbox"/> 103937-Round | <input type="checkbox"/> BB Brushed Bronze | Location: |
| <input type="checkbox"/> 104040-Square | <input type="checkbox"/> BN Brushed Nickel | Architect: |
| <input type="checkbox"/> 104104* | <input type="checkbox"/> ORB Oil Rubbed Bronze | Engineer: |
| | <input type="checkbox"/> PB Polished Brass | Contractor: |
| | <input type="checkbox"/> SB Satin Brass | Submitted By: |
| | <input type="checkbox"/> PC Polished Chrome | Date: |
| | <input type="checkbox"/> PN Polished Nickel | Notes: |
| | <input type="checkbox"/> BLK Black*** | |
| | <input type="checkbox"/> WH White*** | |
| | <input type="checkbox"/> MB Matte Black | |
| | <input type="checkbox"/> RAW Custom Plating | |

* 104104 Steamhead is used for AirTempo, iSteam and black/white facia iTempo and iTempoPlus.

** For AirTempo select black or white with a decorative finish

***iSteam, black/white fascia iTempo and iTempoPlus are provided with matching glass face and chrome trim only.

Linear Steam Head®

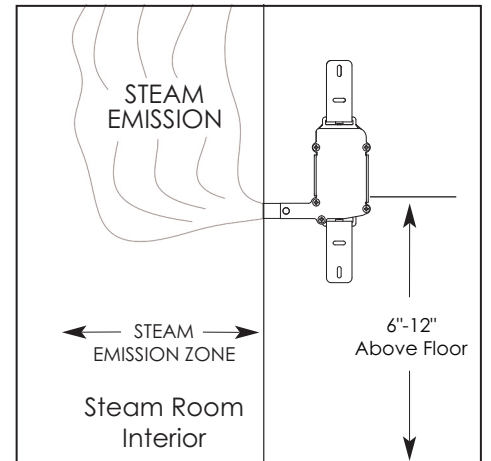
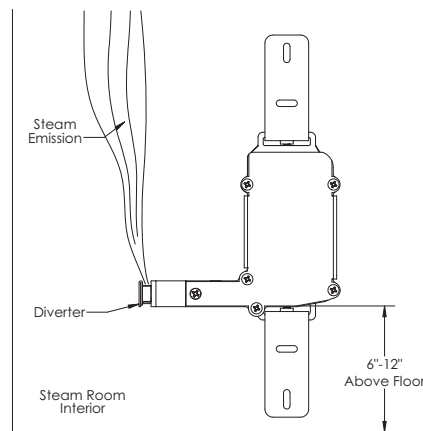
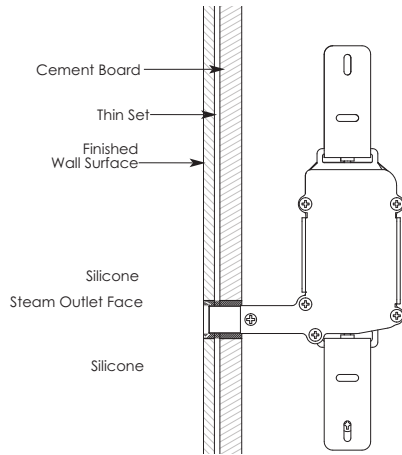
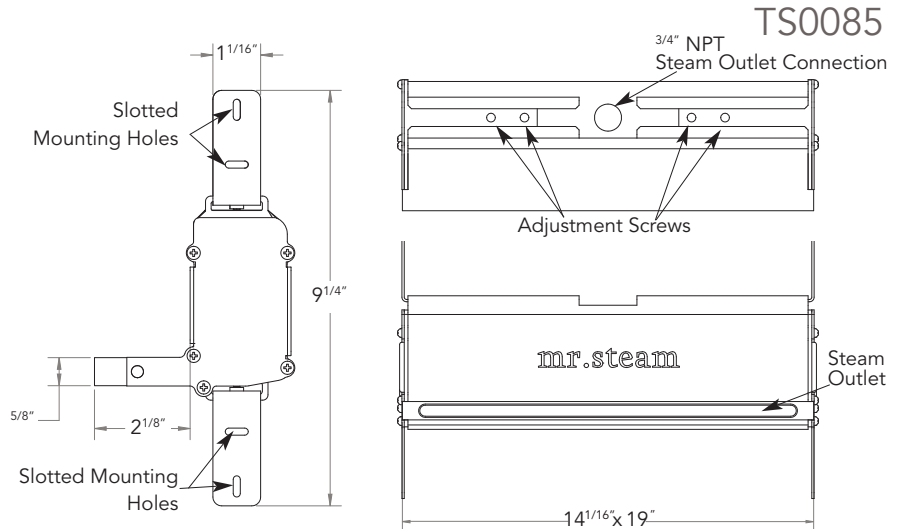
- Quiet, even distribution of steam
- No field assembly required
- Finished Look
- No moving parts
- Minimal profile
- Aroma Feature

Linear Steamhead Installation:
(3/4" NPT)

IMPORTANT: Do not disassemble steamhead. MrSteam's steamhead is shipped fully assembled and requires no additional assembly. Locate steamhead 6-12 inches above floor, except for tub/shower enclosures; install 6 inches above tub top edge.

CAUTIONS Because the steamhead and direct steam emissions are very hot, locate the steamhead where incidental contact by bather with the steamhead or direct steam emission cannot occur.

- Linear Steam Head model 104480 is suitable for MrSteam generator models MS90-400, MSSUPER1-3 and MX4-MX6.
- Two 104480 linear steamheads must be used for models MX4, 5 & 6.
- Using model 104480 for any steam generator model larger than the MX6, or for any non MrSteam brand generators may result in an improper installation or hazardous condition.
- For residential use only.
- Install in a upright orientation only. Installation in a any other orientation may concentrate the steam and result in excessive temperatures.



| Generator Model | Number of Linear Steam Heads | Steam Emission Zone |
|-----------------|------------------------------|---------------------|
| MS90-MS400 | 1 | 18" |
| Super1-Super3 | 1 | 24" |
| MX4-MX6 | 2 | 24" |

FOR ILLUSTRATIVE PURPOSES ONLY. IMPORTANT NOTE: FOR SAFE AND TROUBLE FREE INSTALLATION
visit mrsteam.com before installation to download the Installation, Operation and Maintenance Manual or refer to the manual provided with the unit.

| MODEL | PROJECT INFORMATION | |
|---|---------------------|---------------|
| 104480 <input type="checkbox"/> BB <input type="checkbox"/> BN <input type="checkbox"/> MB <input type="checkbox"/> ORB <input type="checkbox"/> PB <input type="checkbox"/> PC <input type="checkbox"/> PN <input type="checkbox"/> SB | Location: | Contractor: |
| One 104495 may be used with MX4, MX5 & MX6. See technical specification TS0088 for more information | Architect: | Submitted By: |
| Notes: | Engineer: | Date: |

Linear Steam Head®

TS0085

Accessories

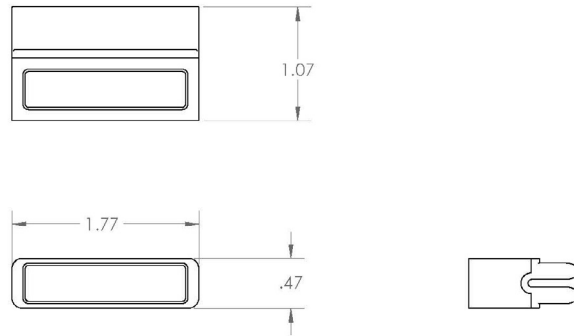
CAUTIONS because the Steam Head, Faceplate, Diverter, AromeTray, Escutcheon, Finished Diverter, and direct steam emission are very hot, locate the Steam Head, Faceplate, Diverter, AromeTray, Escutcheon, Finished Diverter where incidental contact by bather or direct steam emission cannot occur.

Included Accessories

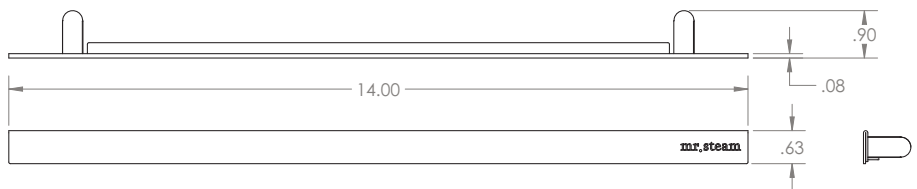
Faceplate



AromaTray
(Black Chrome Finish Only)

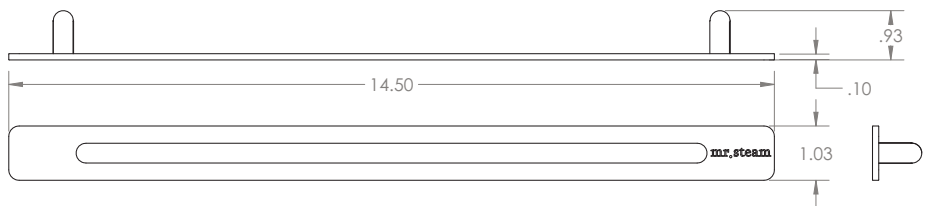


Diverter
(Stainless Steel Finish Only)

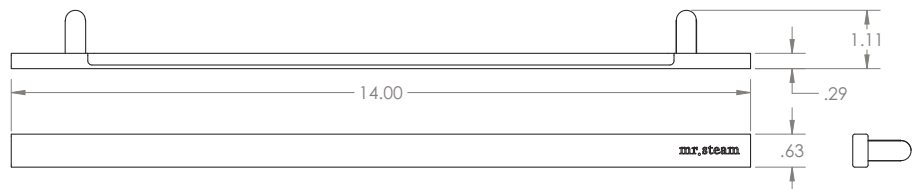


Optional Accessories

Escutcheon



Diverter - Finished



- BB
- BN
- MB
- ORB
- PB
- PC
- PN
- SB

NOTE: Drawings are for illustrative purposes only. Consult with qualified designer, architect or contractor for steam room construction.

TS0085 Rev 5.23

SteamLinx™

BOX CONTENT

- SteamLinx Generator Module
- SteamLinx Router Module
- 6 foot Ethernet Cord
- Power Adapter

SteamLinx

Introducing the latest Mobile Steam Room Technology, the SteamLinx Mobile System. SteamLinx allows for seamless control of essential steam room functionality using your smart phone or mobile device.

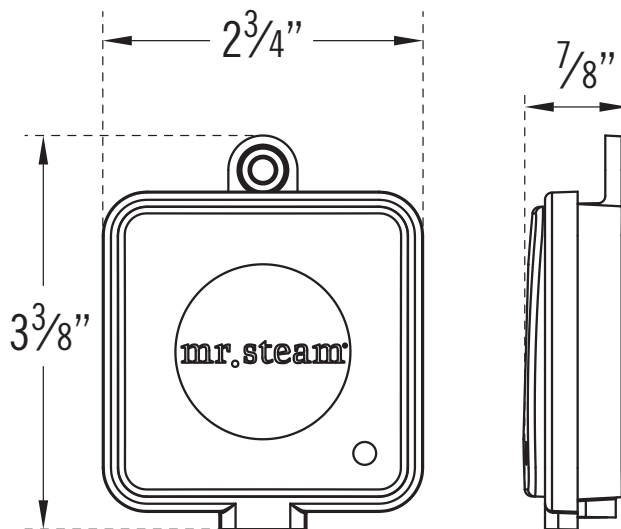
*Included in all Dream & Butler Packages
(Except Basic Butler).*

Works with all MrSteam Controls

App available for download from Google Play and the App Store

FOR ILLUSTRATIVE PURPOSES ONLY.

IMPORTANT NOTE: FOR SAFE AND TROUBLE FREE INSTALLATION visit mrsteam.com before installation to download the Installation, Operation and Maintenance Manual or refer to the manual provided with the unit.



| MODEL | PROJECT INFORMATION | |
|-----------|---------------------|---------------|
| SteamLinx | Location: | Contractor: |
| | Architect: | Submitted By: |
| | Engineer: | Date: |
| Notes: | | |

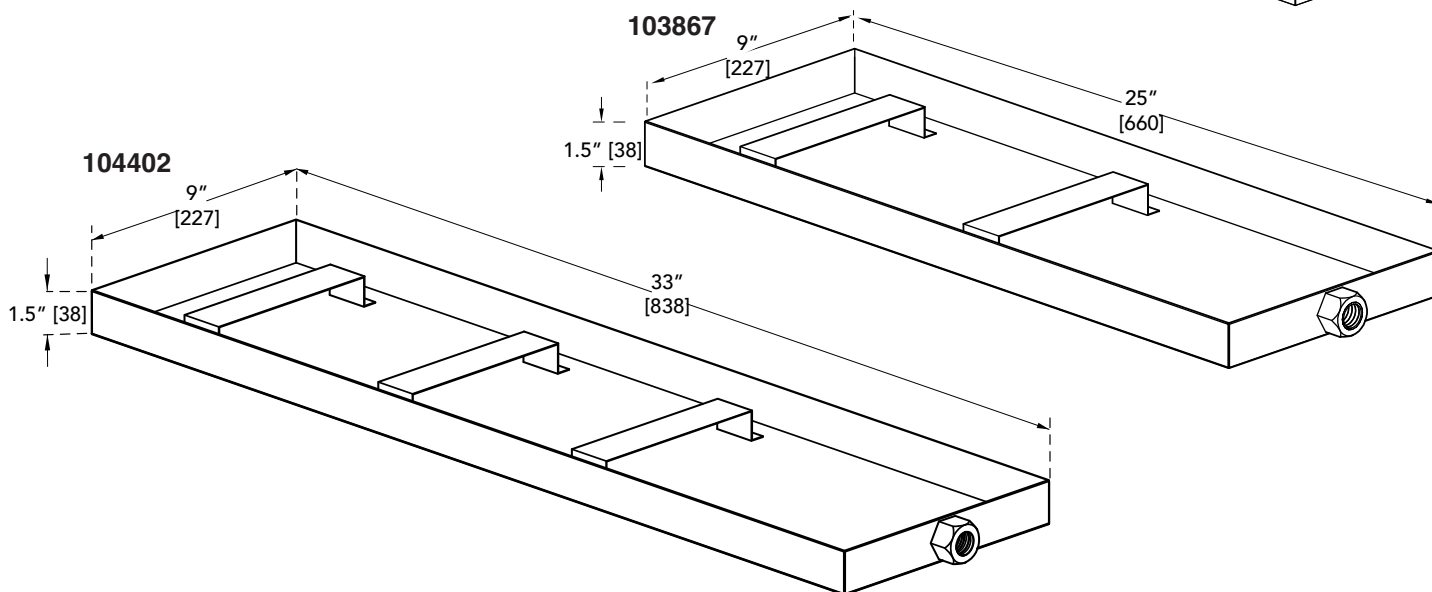
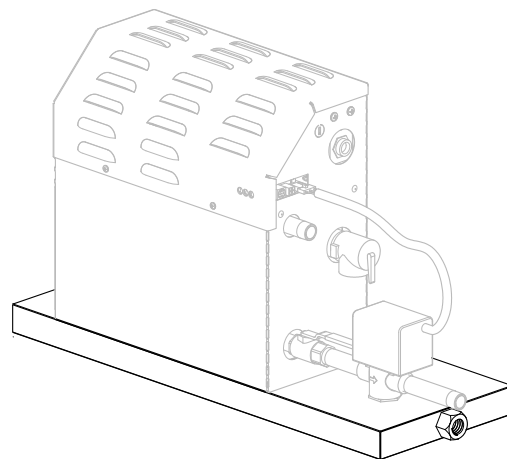
Condensation Pan

103867 & 104402

Mr.Steam strongly recommends the use of a condensation pan in the unlikely event of a plumbing leak.

Locate the condensation pan on a solid level surface and place the steam generator inside the condensation pan. Insure the steam generator is level.

All plumbing shall be performed by a qualified licensed plumber and in accordance with applicable national and local codes. Check local plumbing code for receptor, trap and vent requirements. Condensation pans drain by gravity. The condensation pan is equipped with an integral 3/4" NPT fitting.



NOTE: For MX4E, MX5E and MX6E use model 104402

FOR ILLUSTRATIVE PURPOSES ONLY. IMPORTANT NOTE: FOR SAFE AND TROUBLE FREE INSTALLATION visit mrsteam.com before installation to download the Installation, Operation and Maintenance Manual or refer to the manual provided with the unit.

| MODEL | PROJECT INFORMATION | |
|---------------------------------|---------------------|---------------|
| <input type="checkbox"/> 103867 | Location: | Contractor: |
| <input type="checkbox"/> 104402 | Architect: | Submitted By: |
| | Engineer: | Date: |
| Notes: | | |

AutoFlush®

Box Contents

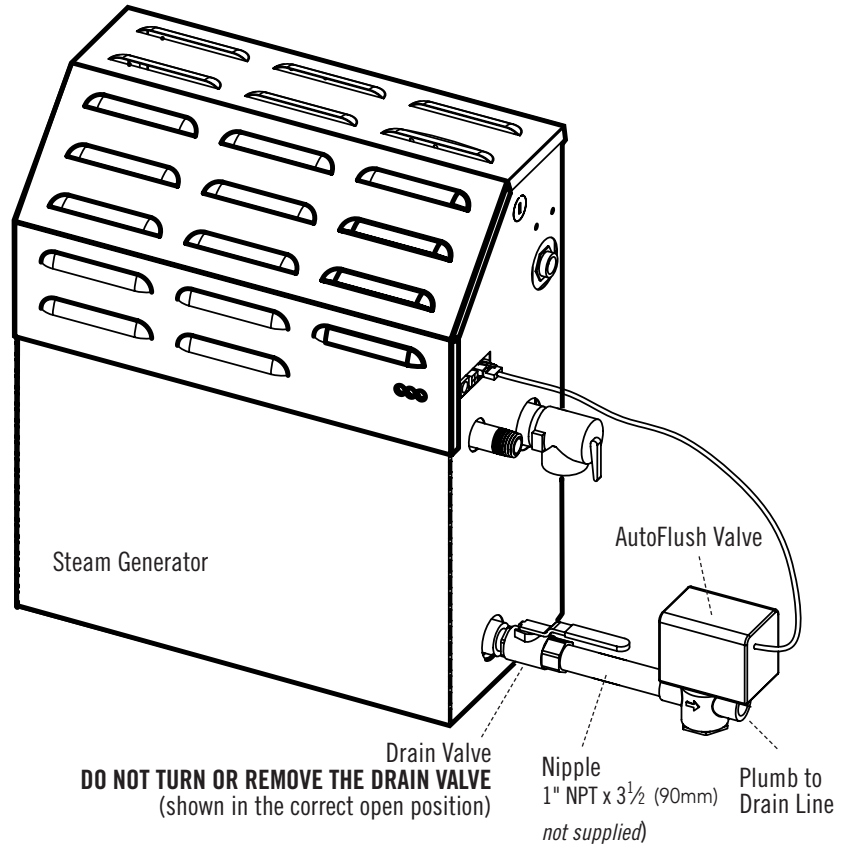
- AutoFlush Valve with Cord
- Installation instructions

Operation

The optional AutoFlush System feature automatically drains the MrSteam system following each use. A time delay allows the water to cool down (about two hours) before it drains by gravity for a safe and gentle operation.

Note: If the Express Steam® option has been installed, the AutoFlush will drain for ten minutes then refill with fresh water to begin the pre-heat cycle.

AutoFlush Shown Fully Assembled



Our exclusive AutoFlush automatically and electronically drains the system, providing CleanSteam... Every Time® and introduces fresh water.

FOR ILLUSTRATIVE PURPOSES ONLY. IMPORTANT NOTE: FOR SAFE AND TROUBLE FREE INSTALLATION visit mrsteam.com before installation to download the Installation, Operation and Maintenance Manual or refer to the manual provided with the unit.

| MODEL | PROJECT INFORMATION | |
|-----------|---------------------|---------------|
| MS 81500E | Location: | Contractor: |
| | Architect: | Submitted By: |
| | Engineer: | Date: |
| Notes: | | |

AutoFlush®

Box Contents

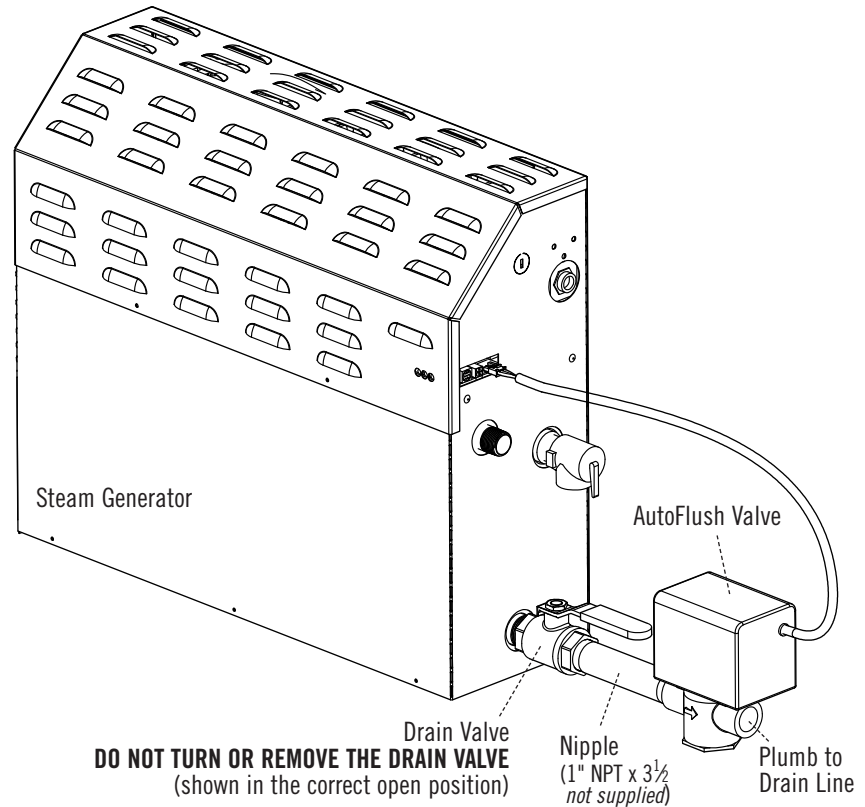
- AutoFlush Valve (1" NPT) with Cord
- Installation instructions

Operation

The optional AutoFlush System feature automatically drains the MrSteam system following each use. A time delay allows the water to cool down (about two hours) before it drains by gravity for a safe and gentle operation.

Note: If the Express Steam® option has been installed, the AutoFlush will drain for ten minutes then refill with fresh water to begin the pre-heat cycle.

AutoFlush Shown Fully Assembled



Our exclusive AutoFlush automatically and electronically drains the system, providing CleanSteam... Every Time® and introduces fresh water.

FOR ILLUSTRATIVE PURPOSES ONLY. IMPORTANT NOTE: FOR SAFE AND TROUBLE FREE INSTALLATION visit mrsteam.com before installation to download the Installation, Operation and Maintenance Manual or refer to the manual provided with the unit.

| MODEL | PROJECT INFORMATION | |
|----------|---------------------|---------------|
| CT 81500 | Location: | Contractor: |
| | Architect: | Submitted By: |
| | Engineer: | Date: |
| Notes: | | |