

# **Hisense**

## Refrigerator Use & Care Guide



**Model:**  
**HBM17\*\*\*\*\***

For questions about features, operation/performance, parts or service, call:  
**1-877-465-3566**

Thank you for choosing Hisense. We are sure you will find your new refrigerator a pleasure to use. However, before you use the appliance, we recommend that you read through these instructions carefully, which provides details about installing and using the product. Please keep a copy for future reference.

## Contents

Important safety instructions.....	2	Cleaning and care.....	14
Refrigerator Overview.....	5	Helpful hints and tips.....	15
Installing your new appliance.....	6	Troubleshooting.....	16
Display controls.....	11	Disposal of the appliance.....	18
Using your refrigerator.....	13	Copyright.....	19

## Important Safety Instructions

Read and follow all safety messages. Save these instructions.



This safety alert symbol will help you understand situations and hazards that may cause injury or death.

### **WARNING**

The WARNING alert means a potentially hazardous situation. Serious injury or death may occur if not avoided.

### **DANGER**

The DANGER alert means an imminently hazardous situation. Serious injury or death may occur if not avoided.

### **CAUTION**

The CAUTION alert means a potentially hazardous situation. Moderate or minor injury may occur if not avoided.

### **WARNING**

1. Please ensure that everyone using this appliance is familiar with its operations and safety features. This appliance is not intended for use by persons (including children) with reduced physical, sensory or mental capabilities, unless supervised or

are properly instructed.

2. This appliance is intended to be used in residential households and similar applications.

3. Keep explosive and flammable substances away from unit. Do not store similar material in the refrigerator.

4. Disconnect power before servicing or installing an Ice Maker.

5. Use nonflammable cleaner.

6. Use 2 or more people to remove old unit and install this unit.

7. Connect to potable water supply only.

8. Do not use mechanical devices or other means to accelerate the defrosting process, other than those recommended by the manufacturer.

9. Do not damage the refrigerant circuit.

10. Do not use electrical appliances inside the food storage compartments of the appliance, unless they are of the type recommended by the manufacturer.

11. The instructions include the following wording regarding the use of extension cords:

- Do not use an extension cord or ungrounded (two prong) adapters.
- If the supply cord is damaged, it must be replaced by the manufacturer, its service

agent or similarly qualified persons in order to avoid a hazard.

12. Keep ventilation openings, in the appliance enclosure or in the built-in structure, clear of obstruction.

### **DANGER**

To avoid the risks that are always present when using an electric appliance, we recommend that you pay attention to the instructions about electricity below.

1. The appliance requires single phase 115V/60Hz power supply. It has a power cord that has a 3-prong grounding plug that minimizes the possibility of electrical shock. This appliance must be grounded. Do not remove grounding prong or modify the power plug.

2. The unit should be plugged into a dedicated electrical outlet that meets all current standards and requirements. Do not plug anything else into the same outlet and ensure the appliance is the only thing plugged into the entire circuit. It should have its own dedicated breaker. Otherwise, this may overload the circuit and cause a fire.

3. Do not modify the power plug. The power plug must be accessible when the appliance is installed.

4. The appliance should not be turned off with a switch or other device.

5. Make sure that the plug is not squashed or damaged. Otherwise, it may cause short circuit, electric shock or overheat and even cause a fire.

6. Do not insert the power plug if the socket is loose, there is a risk of electric shock or fire.

7. Switch off the appliance and disconnect it from the main power before you clean or move it.

8. Never unplug the appliance by pulling on the electrical cord. Always grip the plug

firmly and pull straight out from the socket to prevent damaging the power cord.

9. Do not operate the appliance without the cover over interior lighting.

10. Any electrical component must be replaced or repaired by a qualified electrician or authorized service engineer. Only genuine replacement parts should be used.

11. To avoid eye injury, do not look directly into the LED light located in the refrigerator compartment. If it is not functioning correctly, consult a qualified, registered electrician or replace it in accordance with the "cleaning and care" chapter.

12. The refrigerant isobutene (R600a) is contained within the refrigerant circuit of the appliance. During transportation and installation of the appliance, ensure that none of the components of the refrigerant circuit becomes damaged. The refrigerant (R600a) is flammable.

13. Risk of child entrapment. Before you throw away your old appliance:

- Take off the doors
- Leave the shelves in place so that children may not easily climb inside.

### **CAUTION**

1. Don't store products which contain flammable propellants (e.g. spray cans) or explosive substances in the appliances.

2. Avoid open flames (candles, lamps *etc.*) and sources of ignition.

3. Thoroughly ventilate the room in which the appliance is situated.

4. Unpack and check through the appliance. Should any damage be evident, don't plug in the appliance but contact the shop immediately from which you purchased it. Keep all packing materials in this case.

5. We recommend that you wait for 4 hours before connecting the appliance to allow the refrigerant to flow back into the compressor.

### **General safety and daily use**

It is important to use your appliance safely. We recommend that you follow the guidelines below.

- We recommend that you keep this user's manual with the appliance for future reference.

- This appliance is intended to be used in households and similar applications such as:

- Staff kitchen-areas in shops, offices and other working environments;
- Clients in hotels, motels and other residential types of environment;
- Bed and breakfast type of environments;
- Catering and similar non-retail applications.

- Lack of experience and knowledge, unless they have supervision or been given instruction concerning use of the appliance. Children should be supervised to ensure that they do not play with the appliance.

- Store any food in accordance with the storage instructions from the manufacturer.

- Don't try to repair the appliance yourself. It is dangerous to alter the specifications

or modify this product in any way. Any damage to the power cord may cause a short circuit, fire or electric shock.

- Don't place too much food directly against the air outlet on the rear wall of both the refrigerator and freezer compartment, as it affects sufficient air circulation.

- Don't place hot items near the plastic components of this appliance.

- Frozen food must not be refrozen once it has been thawed out.

- Don't store bottled or canned drinks (especially carbonated drinks) in the freezer compartment. Bottles and cans may explode.

- Use caution consuming popsicles or ice cubes straight from the freezer as this can cause freezer burn to the mouth and lips.

### **Safety for children and infirm persons**

- Keep all packaging away from children to avoid risk of suffocation.

- Protect children from being scalded by touching the compressor at the rear bottom of appliance

- Don't place items on top of the appliance as this could cause injury should they fall off.

- Never allow children to play with the appliance by hanging or standing over or on the doors, racks, shelves and drawers *etc.*

## Refrigerator Overview

① Display panel

② Air Duct

③ Glass shelf

④ Crisper cover

⑤ Crisper Bin  
(with divider)

⑥ Upper freezer drawer

⑦ Lower freezer drawer

⑧ Leveling Leg

⑨ Door Bin Cover

⑩ Half Width Door Bin

⑪ Door Gasket

⑫ Full Width Door Bin

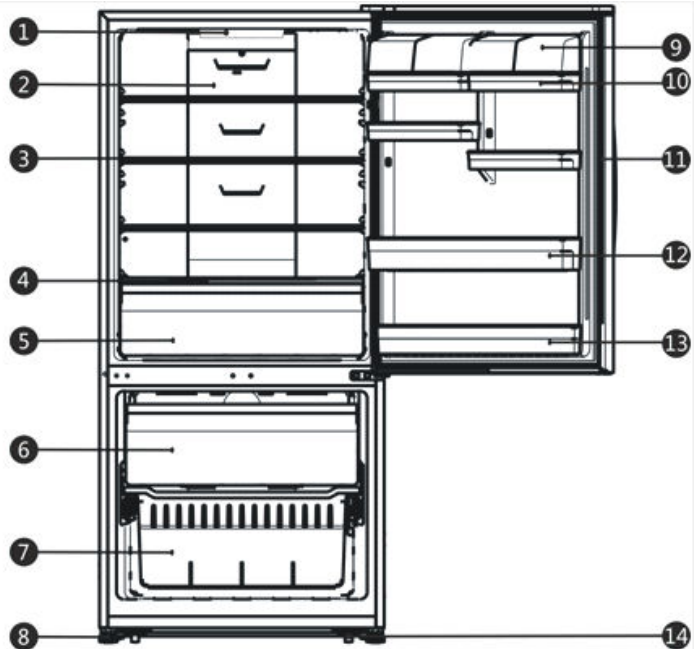
⑬ Lower Door Bin

⑭ Wheel

⑮ Fridge door

⑯ Handle

⑰ Freezer door



### Package Content:

⑯ handles (x2)

- long handle for fridge door, with screws (x2) assembled

- short handle for freeze door, with screws (x2) assembled

Spare parts, used when reversing the door

⑱. Upper left hinge (x1)

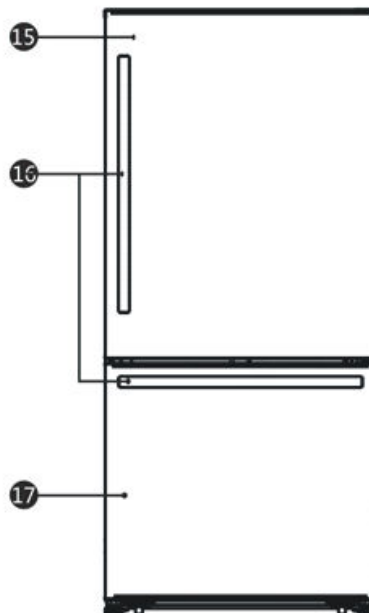
⑲. Middle left hinge (x1)

⑳. Left hinge cover (x1)

Assembly tool:

-Allen Wrench 3mm (x1)

-Allen Wrench 4mm (x1)



### Note !

•Due to unceasing modification of our products, your refrigerator may be slightly different from this instruction manual, but its functions and using methods remain the same.

•To get the best energy efficiency of this product, please place all shelves, drawers and baskets on their original position as the illustration above.

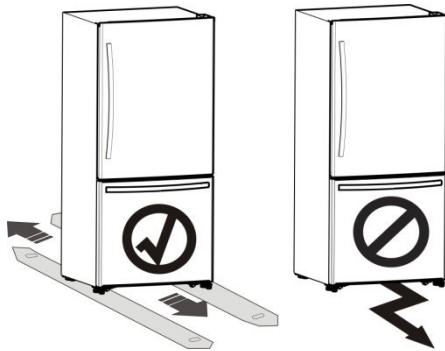
## Installing Your New Appliance

Before using the appliance for the first time, you should be informed of the following tips.


### **Warning!**

For proper installation, this refrigerator must be placed on a level surface of hard material that is the same height as the rest of the flooring. This surface should be strong enough to support a fully loaded refrigerator.

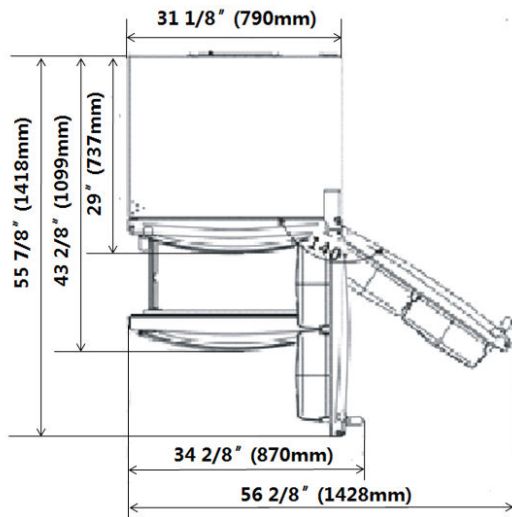
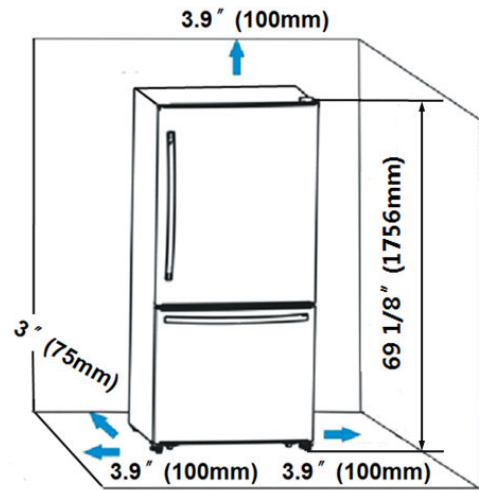
The rollers, which are not castors, should be only used for forward or backward movement. Moving the refrigerator sideways may damage your floor and the rollers.



### **Ventilation of appliance**

 In order to improve efficiency of the cooling system and save energy, it is necessary to maintain good ventilation around the appliance for the dissipation of heat. For this reason, sufficient clear space should be available around the refrigerator.

**Suggestion:** It is advisable for there to be at least 3 inches (75mm) of clearance from the back of the fridge to the wall, at least 3 7/8 inches (100mm) of clearance from its top, at least 3 7/8 inches (100mm) from its side to the wall and a clear space in front to allow the doors to open 140°. As shown in following diagrams.



### **Note:**

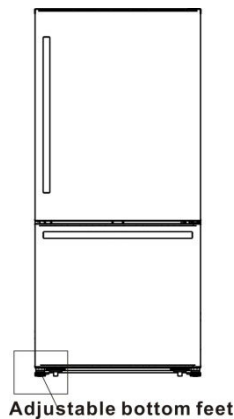
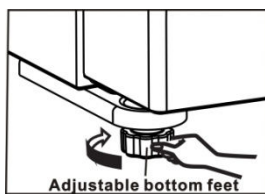
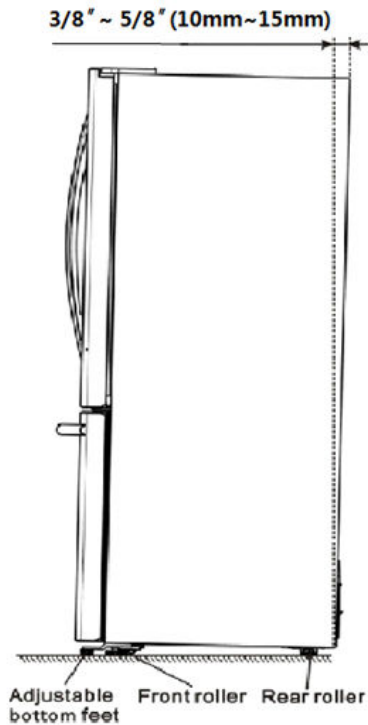
- This appliance performs well with ambient temperature between 55 °F (12.8°C) to 110°F (43.3°C). The appliance may not work properly if left at a temperature above or below the indicated range.
- Stand your appliance in a dry place to avoid high moisture.
- Keep the appliance out of direct sunlight, rain or frost. Stand the appliance away from heat sources such as stoves, fires or heaters.

### **Leveling of appliance**

- For sufficient leveling and air circulating in the lower rear section of the appliance,

the bottom feet may need to be adjusted. You can adjust them manually by hand or by using a suitable tool.

• To allow the doors to self-close, tilt the top backwards by  $3/8 \sim 5/8$  inches (10-15mm).



### Installing the handles

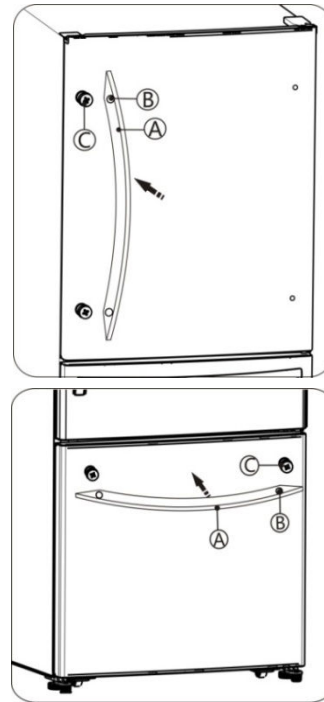
Before you use the appliance, you have to install the handles provided in the fridge chamber.

The longer one is fridge door handle, the shorter one is freezer door handle.

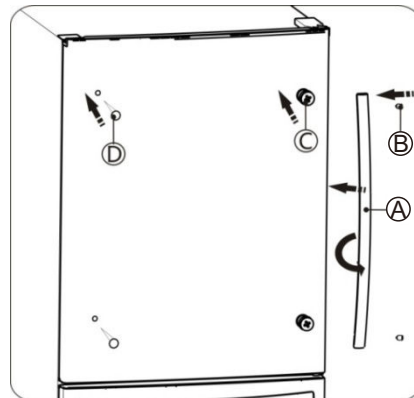
Please follow procedures below to install and reverse the handle.

• Place the handle (A) on the door by fitting the handle footprints over the handle

supports (C), then fasten the screws (B) with 3mm Allen wrench (provided in plastic).



• When you reverse the fridge door, please move the handle (A), the screws (B) and the handle supports (C) to the right side. Move the screw hole covers (D) to the left side.



### Reversing the fridge door

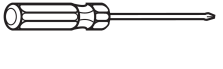
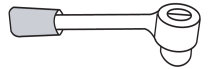
The side at which the door opens can be changed, from the right side (as supplied) to the left side, if the installation site requires.

 **Warning!**

When reversing the door, the appliance must not be connected to the

mains. Ensure that the plug is removed from the mains socket..

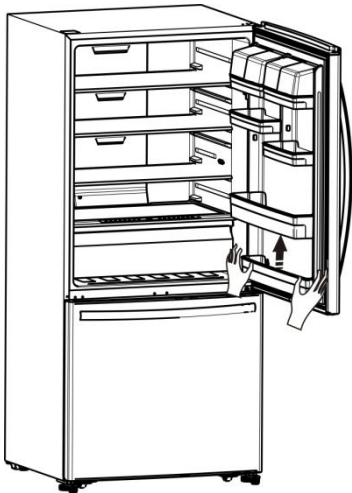
**Tools you will need(Not provided):**

	
Philips Screwdriver & Slotted Screwdriver	Socket Wrench(8mm)

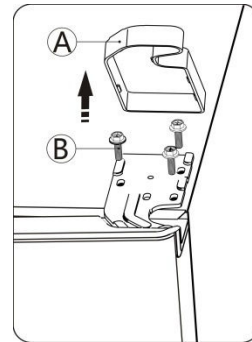
**Note:**

When required, tilt the refrigerator back in order to gain access to the base, you should rest the appliance on soft foam packaging or similar material to avoid damaging the backboard of the refrigerator. To reverse the door, the following steps are generally recommended.

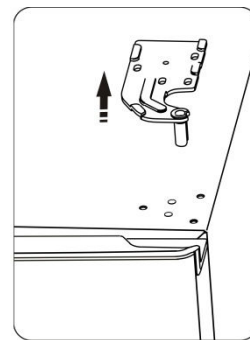
1. Stand the refrigerator upright. Open the upper door to take out all door racks (to avoid racks damaged) and then close the door.



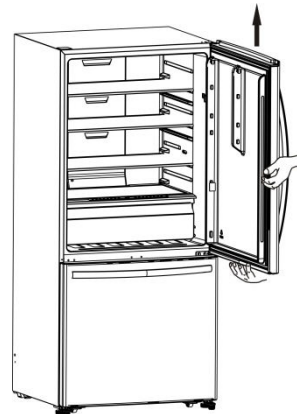
2. With the door closed, remove the upper hinge cover (A) (you can pry it up with slotted screwdriver) on the top right side of appliance and remove 3 special flange screws (B) with Socket Wrench. Keep the upper hinge cover for future reference.



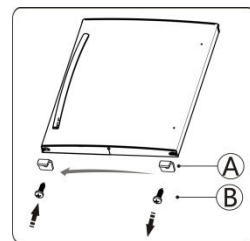
3. Remove the upper hinge (Please hold upper door by hand when installing). Keep it for future reference.



4. Use your both hands to open the door more than 90°. Lift it up and take it off.



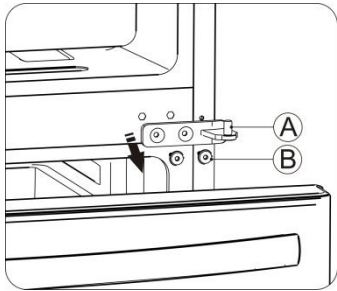
5. Loosen screw (B) on the bottom of the fridge door and take down stop block (A), then install stop block (A) to the left side with screw (B).



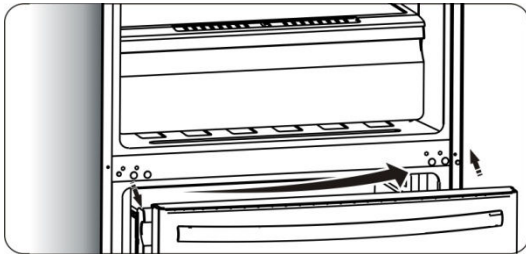
6. Open the freezer door, then loosen 2



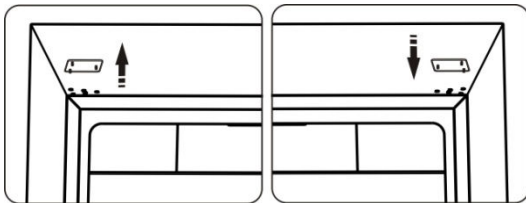
screws (B) with 4mm Allen Wrench (provided in plastic) and remove middle hinge (A). Keep the middle hinge (A) for future reference.



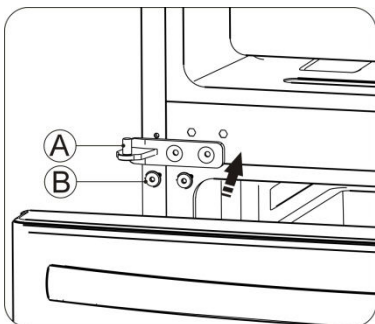
7. Change screw hole covers and screws on middle cover plate from left to right.



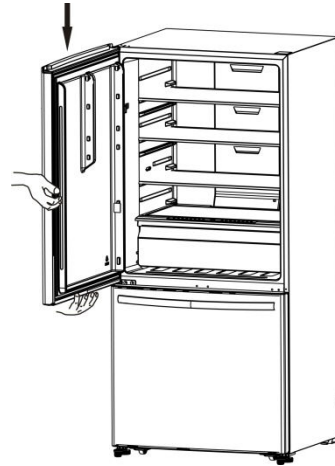
8. Remove screw hole cover (left) from the top left side of appliance and install it onto the top right side of refrigerator body.



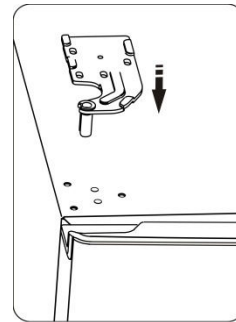
9. Put out the left middle hinge (A) (provided in plastic). Then screw it with 2 screws (B) from right side.



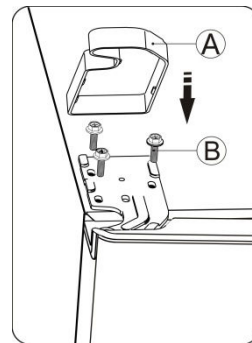
10. Close the freezer door. Refer to step 4, put the fridge door back on the other side, then close the fridge door and move it to an appropriate position.



11. Put out the left upper hinge from plastic bag provided. Then put it on the top left side refer to step 3.



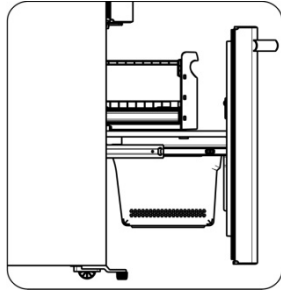
12. Put out the upper hinge cover (A) from plastic bag provided, install them refer to step 2.



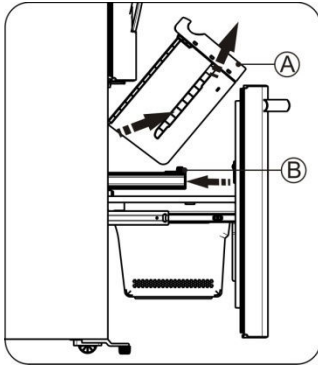
### Freezer Door Removal

In case your home access door is too narrow for the refrigerator to pass through, remove the refrigerator doors and drawers as follows.

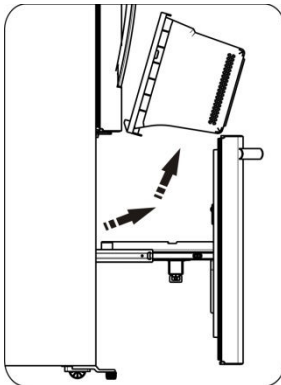
1. Pull out the freezer door and the upper freezer drawer to the final position.



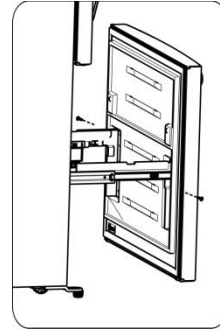
2. Take out the upper freezer drawer (A) by lifting it up from the rail system (B).
3. Then push the rail system (B) back.



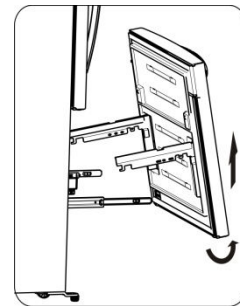
4. Remove the lower freezer drawer by lifting it up.



5. Remove the 2 screws attached to the supporting frame.



6. Pull out the freezer door and lift it up in the direction of the arrow.



#### **Re-assembling the freezer door**

To reattach the drawer after you moved the appliance to its final location, assemble the parts in reverse order.

## Display Controls

Please use the instructions and images below as a reference when using your appliance. Your exact model may be slightly different than the image below.

### Fahrenheit Display Controller



### Celsius Display Controller



### Controlling the temperature

We recommend that when you start your refrigerator for the first time, the temperature for the refrigerator is set to 39 °F (4°C) and the freezer to -2°F (-19°C). If you want to change the temperature, follow the instructions below.

#### Caution

When you set a temperature, you set an average temperature for the whole refrigerator cabinet. Temperatures inside each compartment may vary from the temperatures displayed on the panel, depending on how much food you store and where you place it. High or low room temperature may also affect the actual temperature inside the appliance.

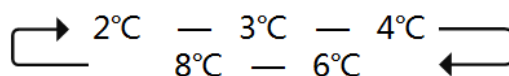
#### 1. Fridge



Press the middle part of the button to set fridge temperature between 36°F and 46°F as needed, and control panel will display corresponding figures according to the following sequence.



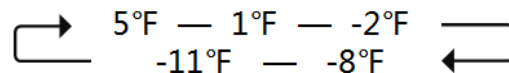
If you have the Celsius Display Controller, press the button to set fridge temperature between 2°C and 8°C as needed, and control panel will display corresponding figures according to the following sequence.



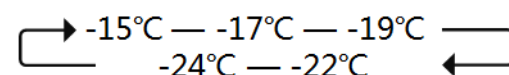
#### 2. Freezer



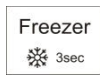
Press the middle part of the Freezer button to set freezer temperature between 5°F and -11°F as needed, and control panel will display corresponding figures according to the following sequence.




If you have the Celsius Display Controller, press the button to set freezer temperature between -15°C and -24°C as needed, and control panel will display corresponding figures according to the following sequence.



### 3. Super freeze




Super Freeze will quickly lower the temperature within the freezer so food will freeze faster. This can lock in the vitamins and nutrients of fresh food and keep food fresh longer.

- Press the middle part of button for 3 seconds to activate the super freeze function. The light  will be illuminated.
- Super freeze automatically switches off after 52 hours.
- When super freeze function is on, you can switch off super freeze function by pressing the middle part of button and the freezer temperature setting will revert back to the previous setting.

### 4. Holiday Mode



If you are going to be away for a long period of time, you can activate this function by pressing the middle part of button for 3 seconds until the light  illuminated

**Important! Do not store any food in the fridge during this time. This feature is not designed to allow food storage when activated.**

- When the holiday function is activated, the temperature of the refrigerator is automatically switched to 59°F (15°C) to minimize the energy consumption.
- When the holiday function is on, you can switch it off by pressing the middle part of button. The fridge temperature setting will revert back to the previous setting.

## Using your Refrigerator

This section tells you how to use most of the useful features. We recommend that you read through them carefully before using the appliance.

### 1. Using your refrigerator compartment

The refrigerator compartment is suitable for storage of vegetables and fruit. Food inside should be packed to store in order to avoid losing moisture or flavor permeating into other foods.



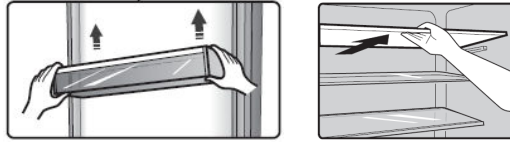
#### CAUTION

Never close the refrigerator door while the shelves, crisper and/or telescopic slides are extended. It may damage both them and the refrigerator.

#### Glass shelves and Door racks

The refrigerator compartment is provided with several glass shelves and several different door racks, which are suitable for the storage of eggs, canned liquid, bottled drinks and packed food. They can be placed at different heights according to your need. However, do not place too many heavy things in racks. Before you lift

up the door bin vertically, please take the food out.



#### Drawer

This is suitable for storage of fruits and vegetables. And it can be taken out to be cleaned.

To take it out, open the door to the final location first. Then pull out the drawer and tilt up the front of the crisper after moving slightly in the direction.

### 2. Using the freezer compartment

The freezer compartment is provided with an upper drawer and a lower drawer. To remove all of them, refer to page 9 for disassembly instruction.

## Cleaning and Care

For hygienic reasons the appliance (including exterior and interior accessories) should be cleaned at least every two months.

### CAUTION

The appliance must not be connected to the wall outlet during cleaning. Danger of electrical shock! Before cleaning, switch the appliance off and remove the plug from the wall outlet socket.

#### Exterior cleaning

To maintain good appearance of your appliance, you should clean it regularly.

- Spray water onto a cleaning cloth instead of spraying directly on the surface of the appliance. This helps ensure an even distribution of moisture to the surface.
- Clean the doors, handles and cabinet surfaces with a mild detergent and then wipe dry with a soft cloth.

### CAUTION

- Don't use sharp objects to clean with, as they are likely to scratch the surface.
- Don't use Thinner, Car detergent, bleach, ethereal oil, abrasive cleansers or organic solvent such as Benzene for cleaning. They may damage the surface of the appliance and may cause fire.

#### Interior cleaning

You should clean the appliance interior regularly. It will be easier to clean when food stocks are low. Wipe the inside of the fridge freezer with a weak solution of backing soda and water, and then rinse with warm water using a wrung-out sponge or cloth. Wipe completely dry before replacing the shelves and baskets. Thoroughly dry all surfaces and removable parts before putting them back into place. Although this appliance automatically

defrosts, a layer of frost may occur on the freezer compartment's interior walls if the freezer door is opened frequently or kept open too long. If the frost is too thick, choose a time when the freezer is nearly empty and proceed as follows:

1. Remove existing food and accessories baskets, unplug the appliance from the main power and leave the doors open. Ventilate the room thoroughly to accelerate the process.
2. When defrosting is completed, clean your freezer as described above.

### WARNING

Do not use sharp objects to remove frost from the freezer compartment. Only after the interior is completely dry should the appliance be switched back on and plugged back into the main socket.

#### Door gasket cleaning

Take care to keep door gasket clean. Sticky food and drinks can cause gasket to stick to the cabinet and tear when you open the door. Wash gasket with a mild detergent and warm water. Rinse and dry it thoroughly after cleaning.

### CAUTION

Only after the door seals are completely dry should the appliance be powered on

#### Replacing the LED light

Warning: The LED light must be replaced by a competent person. If the LED light is damaged, follow the steps below:

1. Unplug your appliance.
2. Remove light cover by rising up and pulling out the LED light.
3. Hold the LED light with one hand and pull it with the other hand while pressing the connector latch.
4. Replace LED light and snap it correctly in place and recover the light cover.

## Helpful Hints and Tips

### Energy Saving Tips

We recommend that you follow the tips below to save energy.

- Try to avoid keeping the door open for long periods in order to conserve energy. Ensure the appliance is away from any sources of heat (direct sunlight, electric oven or cooker etc.)
- Don't set the temperature colder than necessary.
- Don't store warm food or evaporating liquid in the appliance.
- Place the appliance in a well ventilated, humidity free, room. Please refer to "Installing your New Appliance" chapter.
- If the diagram shows the correct combination for the drawers, crisper and shelves, do not adjust the combination as this is designed to be the most energy efficient configuration.

### Hints for fresh food refrigeration

- Do not place hot food directly into the refrigerator or freezer, the internal temperature will increase resulting in the compressor having to work harder and will consume more energy.
- Do cover or wrap the food, particularly if it has a strong flavor.
- Place food properly so that air can circulate freely around it.

### Hints for refrigeration

- For Meat: (all types) wrap in cling wrap and place on the glass shelf above the vegetable drawer. Always follow food storage times and use by dates suggested by manufacturers.
- Cooked food, cold dishes, etc.: They should be covered and placed on any shelf.
- Fruit and vegetables: They should be stored in the special

drawer provided.

- Butter and cheese: Should be wrapped in airtight foil or plastic film wrap.
- Milk bottles: Should have a lid and be stored in the door racks.

### Hints for freezing

- When first starting-up or after a period out of use, let the appliance run at least 2 hours on the higher settings before putting food in the compartment.
- Prepare food in small portions to enable it to be rapidly and completely frozen and to make it possible to subsequently thaw only the quantity required.
- Wrap up the food in aluminum foil or cling wraps which are airtight.
- Do not allow fresh, unfrozen food to touch the food which is already frozen to avoid temperature rise of the latter.
- Iced products, (ice cubes, popsicles): if consumed immediately after removal from the freezer compartment, will probably cause frost burns to the skin.
- It is recommended to label and date each frozen package in order to keep track of the storage time.

### Hints for the storage of frozen food

- Ensure that frozen food has been stored correctly by the food retailer
- Once defrosted, food will deteriorate rapidly and should not be re-frozen. Do not exceed the storage period indicated by the food manufacturer.

### Switching off your appliance

If the appliance needs to be switched off for an extended period, the following steps should be taken prevent mold on the appliance.

- |   |  |
|---|--|
| <ol style="list-style-type: none"> <li>1. Remove all food.</li> <li>2. Remove the power plug from the main socket.</li> </ol> | <ol style="list-style-type: none"> <li>3. Clean and dry the interior thoroughly.</li> <li>4. Ensure that all the doors are wedged open slightly to allow air to circulate</li> </ol> |
|---|--|

## Troubleshooting

If you experience a problem with your appliance or are concerned that the appliance is not functioning correctly, you can carry out some easy checks before calling for service, please see below.



### WARNING

1. Don't try to repair the appliance yourself. If the problem persists after you have made the checks mentioned below, contact a qualified electrician, authorized service engineer or the shop where you purchased the product.
2. A child entrapment warning statement is included in either the operating instructions or in a use and care manual provided with each refrigerator.

Problem	Possible Cause & Solution
Appliance is not working correctly	Check whether the power cord is plugged into the power outlet properly.
	Check the fuse or circuit of your power supply, replace if necessary.
	The ambient temperature is too low. Try setting the chamber temperature to a colder level to solve this problem.
	It is normal that the freezer is not operating during the defrost cycle, or for a short time after the appliance is switched on to protect the compressor.
Odours from the compartments	The interior may need to be cleaned
	Some food, containers or wrapping cause odours.
Noise from the appliance	<p>The sounds below are quite normal:</p> <ul style="list-style-type: none"> <li>•Compressor running noises.</li> <li>•Air movement noise from the small fan motor in the freezer compartment or other compartments.</li> <li>•Gurgling sound similar to water boiling.</li> <li>•Popping noise during automatic defrosting.</li> <li>•Clicking noise before the compressor starts.</li> <li>• Clicking noise when you get the water.</li> <li>•The motor running noises when you get ice.</li> </ul>
	<p>Other unusual noises are due to the reasons below and may need you to check and take action:</p> <p>The cabinet is not level.</p> <p>The back of appliance is touching the wall.</p>



	Bottles or containers have fallen or are rolling.
The motor runs continuously	It is normal to frequently hear the sound of the motor, it will need to run more when in following circumstances: <ul style="list-style-type: none"> <li>•Temperature setting is set colder than necessary</li> <li>•Large quantity of warm food has recently been stored within the appliance.</li> <li>•The temperature outside the appliance is high.</li> <li>•Doors are kept open too long or too often.</li> <li>•After installing the appliance or it has been switched off for a long time.</li> </ul>
A layer of frost occurs in the compartment	Check that the air outlets are not blocked by food and ensure food is placed within the appliance to allow sufficient ventilation. Ensure that door is fully closed. To remove the frost, please refer to the “Cleaning and Care” chapter.
Temperature inside is too warm	You may have left the doors open too long or too frequently; or the doors are kept open by some obstacle; or the appliance is located with insufficient clearance at the sides, back and top
Temperature inside is too cold	Increase the temperature by following the “Display Controls” chapter.
Doors can't be closed easily	Check whether the top of the refrigerator is tilted back by 10-15mm to allow the doors to self-close, or if something inside is preventing the doors from closing.
The light is not working	<ul style="list-style-type: none"> <li>•The LED light may be damaged. Refer to replace LED lights in “Cleaning and Care” chapter.</li> <li>•The control system has disabled the lights due to the door being kept open too long. Close and reopen the door to reactivate the lights.</li> </ul>
Hear water bubbling in the refrigerator	This is normal. The bubbling comes from the refrigerant coolant liquid circulating through the refrigerator.

## Disposal of the appliance

### **DANGER**

It is prohibited to dispose of this appliance as household waste.

#### **Packaging materials**

Packaging materials with the recycle symbol are recyclable. Dispose of the packaging into a suitable waste collection container to recycle it.

#### **Before disposal of the appliance**


1. Pull out the main plug from the main socket.
2. Cut off the power cord and discard with the main plug.

### **WARNING**

Potential Suffocation Hazard! Potential death or brain damage could occur. Remove doors to prevent potential suffocation.

1. To prevent potential suffocation hazard, remove your old refrigerators doors completely immediately. Leave shelves installed to help block children from climbing on or getting inside.
2. When disposing of the appliance do so only at an authorized waste disposal center. Do not expose to flame.

Refrigerators contain refrigerant and gases in the insulation. Refrigerant and gases must be disposed of professionally as they may cause eye injuries or ignition. Ensure that tubing of the refrigerant circuit is not damaged prior to proper disposal.

<b>Correct Disposal of this product</b>	
	<p>This symbol on the product or in its packing indicates that this product may not be treated as household waste. Instead, it should be taken to the appropriate waste collection point for the recycling of electrical and electronic equipment. By ensuring this product is disposed of correctly, you will help prevent potential negative consequences for the environment and human health, which could otherwise be caused by the inappropriate waste handling of this product. For more detailed information about the recycling of this product, please contact your local council, your household waste disposal service, or the shop where you purchased the product.</p>

“ Copyright Statement © 2018 Hisense Company Ltd. All Rights Reserved. All material in this User Manual is the property of Hisense Company Ltd. and its subsidiaries, and is protected under US, CANADA, MEXICO and International copyright and/or other intellectual property laws. Reproduction or transmission of the materials, in whole or in part, in any manner, electronic, print, or otherwise, without the prior written consent of Hisense Company Ltd. is a violation of Hisense Company Ltd. rights under the aforementioned laws. No part of this publication may be stored, reproduced, transmitted or distributed, in whole or in part, in any manner, electronic or otherwise, whether or not for a charge or other or no consideration, without the prior written permission of Hisense Company Ltd. Requests for permission to store, reproduce, transmit or distribute materials may be made to one of the following addresses: USA: Hisense USA Corporation 7310 McGinnis Ferry Road Suwanee, GA 30024 CANADA: Hisense Canada Co., Ltd 2283 Argentia Road, Unit 16 Mississauga, ON, Canada L5N 5Z2 MEXICO: Hisense Mexico S. de R.L. de C.V. Blvd. Miguel de Cervantes Saavedra No 301 Torre Norte Piso 2, Col. Ampliación Granada Miguel Hidalgo, Ciudad de México, C.P. 11520 Hisense, and any and all other Hisense product names, logo's, slogans or marks are registered trademarks of Hisense Company Ltd. and its subsidiaries. All other trademarks are the property of their respective holders. ©2018. All rights reserved. Hisense and the Hisense logo are registered trademarks of Hisense. Other brand and product names are registered trademarks of their respective owners.

# Hisense

Guía de uso y cuidado del refrigerador



Modelo:  
HBM17 \*\*\*\*\*

Para consultas sobre las características, funcionamiento/rendimiento, piezas o servicio,  
llame al:

1-877-465-3566

Gracias por elegir Hisense. Estamos seguros de que disfrutará utilizar el nuevo refrigerador. Sin embargo, antes de utilizar el electrodoméstico, le recomendamos leer cuidadosamente todas estas instrucciones, las mismas brindan detalles acerca de la instalación y uso del producto. Guarde una copia para futuras referencias.

## Contenido


Medidas de seguridad importantes .....	2	Limpieza y Cuidado .....	14
Descripción del electrodoméstico .....	5	Sugerencias y consejos útiles.....	15
Instalar el nuevo aparato.....	6	Resolución de problemas .....	16
Controles de la pantalla .....	11	Eliminación del aparato.....	18
Uso del Refrigerador .....	13	Derechos de autor .....	19


## Medidas de seguridad importantes


Lea y siga todos los mensajes de seguridad. Guarde estas instrucciones.



Este símbolo de aviso de seguridad lo ayudará a comprender las situaciones y los peligros que pueden causar lesiones o la muerte.

 <b>ADVERTENCIA</b>
El aviso de ADVERTENCIA significa una posible situación peligrosa. Si no se evita, pueden ocurrir lesiones o la muerte.

 <b>PELIGRO</b>
El aviso de PELIGRO significa una situación peligrosa inminente. Si no se evita, pueden ocurrir lesiones o la muerte.

 <b>Precaución</b>
El aviso de PRECAUCIÓN significa una posible situación peligrosa. Si no se evita, pueden ocurrir lesiones menores o moderadas.



### ADVERTENCIA

1. Asegúrese de que todas las personas que utilizan el electrodoméstico estén familiarizadas con el funcionamiento y las características de seguridad. Este electrodoméstico no está destinado para con capacidades físicas, sensoriales o

mentales reducidas a menos que hayan sido supervisados instruidos correctamente.

2. Este electrodoméstico está destinado para ser utilizado en el hogar y lugares similares.

3. Mantenga las sustancias explosivas e inflamables lejos de la unidad. No almacene materiales similares en el refrigerador.

4. Desconecte el suministro eléctrico antes de realizar el mantenimiento o la instalación de la máquina de hielo.

5. Utilice limpiadores no inflamables.

6. Se necesitan 2 o más personas para quitar la unidad vieja e instalar esta unidad.

7. Sólo conéctelo a un suministro de agua potable.

8. No utilice dispositivos mecánicos ni otros medios no recomendados por el fabricante para acelerar el proceso de descongelación.

9. No dañe el circuito del refrigerante.

10. No utilice aparatos eléctricos dentro de los compartimentos de almacenamiento de alimentos del aparato, a menos que sean del tipo recomendado por el fabricante.

11. Las instrucciones incluyen el siguiente enunciado acerca del uso de cables de extensión:

- No utilice un cable de extensión ni adaptadores sin conexión a tierra (dos clavijas).
- Si el cable de alimentación está dañado, debe sustituirlo el fabricante, su agente de mantenimiento o personas cualificadas similares para evitar riesgos

12. Mantenga las aperturas de ventilación de la carcasa del aparato o de las estructuras integradas libres de obstrucciones.

### PELIGRO

Para evitar los riesgos que están siempre presentes cuando se utiliza un electrodoméstico eléctrico, le recomendamos que preste atención a las siguientes instrucciones sobre la electricidad.

1. El electrodoméstico requiere de una fuente de alimentación de fase simple de 115V/60Hz. El mismo cuenta con un cable de alimentación con un conector de 3 clavijas con conexión a tierra que minimiza las probabilidades de una descarga eléctrica. El electrodoméstico debe estar conectado a tierra. No quite la terminal a tierra ni modifique el conector.
2. La unidad se debe conectar a un tomacorriente eléctrico exclusivo que cumpla con las normas y requisitos vigentes. No coloque nada más en el mismo tomacorriente y asegúrese que el electrodoméstico sea lo único conectado
3. No modifique el conector. El conector debe estar accesible cuando se conecta el electrodoméstico.
4. No se debe apagar el electrodoméstico con un interruptor u otro dispositivo.
5. Asegúrese de que el conector no esté aplastado ni dañado. De lo contrario, puede causar cortocircuitos, descargas eléctricas o sobrecalentamiento y causar incendios.
6. No coloque el conector si el tomacorriente está flojo, hay riesgo de descargas eléctricas o incendios.

7. Apague el electrodoméstico y desconéctelo del interruptor principal antes de realizar la limpieza o moverlo.

8. Nunca desconecte el electrodoméstico tirando del cable de alimentación. Agarre siempre el conector firmemente y tire del tomacorriente para evitar dañar el cable de alimentación.

9. No opere el electrodoméstico sin el cobertor de la luz interior.

10. Cualquier componente eléctrico debe ser reemplazado o reparado por un electricista calificado o un ingeniero de servicio autorizado. Sólo se deben utilizar repuestos genuinos.

11. Para evitar lesiones en la vista, no mire directamente a la luz LED ubicada en el compartimiento del refrigerador. Si no funciona correctamente, consulte a un electricista matriculado o reemplácela siguiendo el capítulo "limpieza y cuidado".

12. El refrigerante isobutano (R600a) se encuentra dentro del circuito refrigerante del electrodoméstico. Durante el transporte y la instalación del electrodoméstico, asegúrese de que ninguno de los componentes del circuito refrigerante se dañe. El refrigerante (R600a) es inflamable.

13. Riesgo de atrapamiento para niños. Antes de descartar el viejo electrodoméstico:

- Quite las puertas
- Deje los estantes en el lugar para que los niños no puedan meterse dentro fácilmente.

### Precaución

1. No almacene productos que contengan propelentes inflamables (ej.: latas de aerosol) o sustancias explosivas en el electrodoméstico.
2. Evite las llamas (velas, lámparas, etc.) o fuentes de encendido.
3. Ventile bien la sala en la que esté situado el aparato.

4. Desempaque y compruebe el electrodoméstico. En caso de mostrar daños evidentes, no enchufe el aparato y póngase en contacto inmediatamente con la tienda donde lo compró. Conserve todos los materiales de embalaje por si este fuera el caso

5. Le recomendamos esperar 4 horas antes de conectar el electrodoméstico para permitir que el refrigerante fluya hacia el compresor.

### **Seguridad general y uso diario**

Es importante utilizar el electrodoméstico de forma segura. Le recomendamos que siga las siguientes pautas.

- Le recomendamos que guarde este manual de usuario junto con el electrodoméstico para futuras referencias.
- Este aparato está diseñado para ser utilizado en el hogar y las aplicaciones similares tales como:
  - Áreas de cocina de personal en tiendas, oficinas y otros entornos de trabajo;
  - Le recomendamos conservar este manual del usuario con el aparato para futuras consultas.
  - Entornos de tipo cama y desayuno;
  - Aplicaciones de restauración y no minoristas similares.
- Falta de experiencia y conocimiento a menos que hayan sido supervisados o instruidos sobre el uso del electrodoméstico. Se debe supervisar a los niños para asegurarse de que no jueguen con el electrodoméstico.
- Almacene cualquier alimento según las instrucciones de almacenamiento del fabricante.

- No intente reparar el aparato usted mismo. Es peligroso alterar las especificaciones o modificar el producto de cualquier modo. Cualquier daño en el cable de alimentación puede causar cortocircuitos, incendios o descargas eléctricas.

- No coloque mucha cantidad de alimentos contra la salida de aire en la parte trasera del compartimiento del refrigerador y del congelador ya que puede afectar la circulación de aire.

- No coloque objetos calientes cerca de los componentes de plástico de este aparato.

- No debe volver a congelar los alimentos congelados una vez descongelados.

- No coloque bebidas enlatadas o botellas (especialmente las bebidas gasificadas) en el compartimiento del congelador. Las botellas y las latas pueden explotar.

- Tenga cuidado al consumir las paletas heladas o los cubos de hielo directamente del congelador ya que pueden causar quemaduras de frío en la boca y en los labios.

### **Seguridad para niños y personas enfermas**

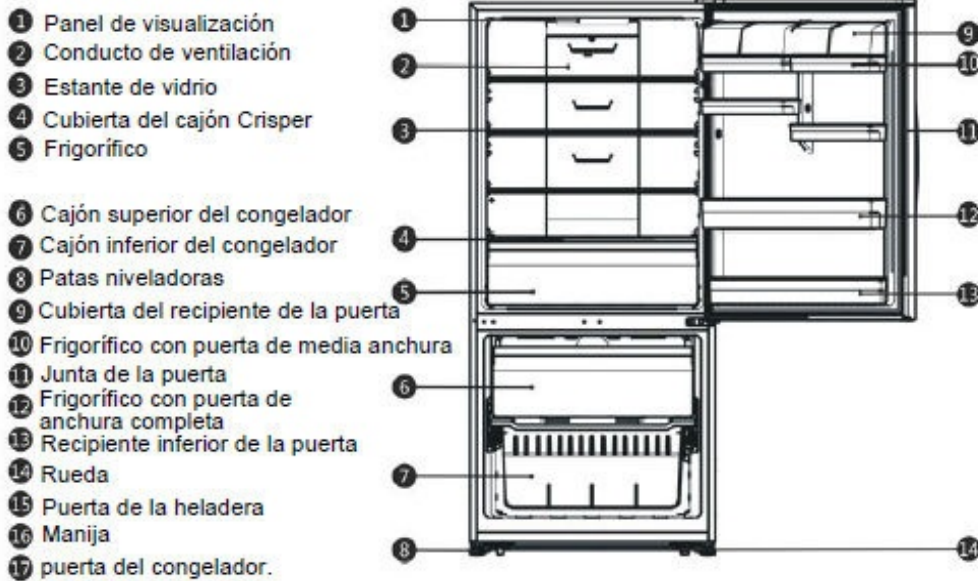
- Mantenga el material de empaque lejos de los niños para evitar el riesgo de sofocación.

- Proteja a los niños para que no se quemem al tocar el compresor de la parte trasera inferior del electrodoméstico.

- No coloque objetos en la parte superior del electrodoméstico ya que podrían causar lesiones si los mismos se caen.

- Nunca deje que los niños jueguen con el electrodoméstico ni se cuelguen o se paren sobre las puertas, estantes, exhibidores, cajones, etc.

## Descripción del electrodoméstico



Contenido del paquete:

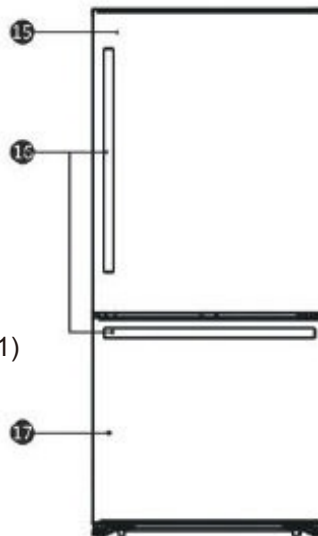
- 16 Manijas (x2)
- Manija larga para puerta de refrigerador, con tornillos (x2) ensamblados.
- Manija corta para puerta de congelación, con tornillos (x2) ensamblados.

Piezas de repuesto, usadas cuando se invierte la puerta

- .Bisagra superior izquierda (x1)
- .Bisagra media izquierda (x1)
- .Cubierta de la bisagra izquierda (x1)

Herramienta de montaje:

- Allen Llave 3mm (x1)
- Allen Llave 4mm (x1)



### Nota!

- Debido al desarrollo constante de nuestros productos, es posible que su refrigerador sea ligeramente diferente al de este manual de instrucciones, pero sus funciones y uso serán idénticos.
- Para obtener la mejor eficiencia energética de este producto, coloque todos los estantes, cajones y recipientes en su posición original como se muestra en la imagen de arriba.



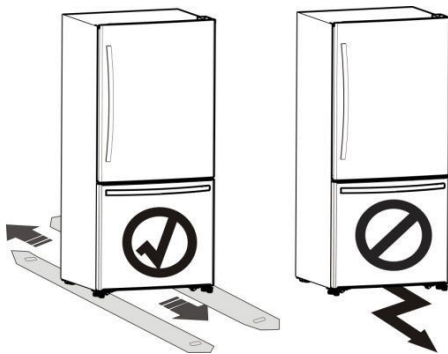
## Instalar el Nuevo Aparato

Antes de usar el aparato por primera vez, debe revisar los siguientes consejos.

### ⚠ Advertencia!

Para realizar una instalación adecuada, se debe colocar la nevera sobre una superficie nivelada de material duro que esté a la misma altura que el resto del suelo. Esta superficie debe ser lo suficientemente fuerte para soportar una nevera completamente cargada.

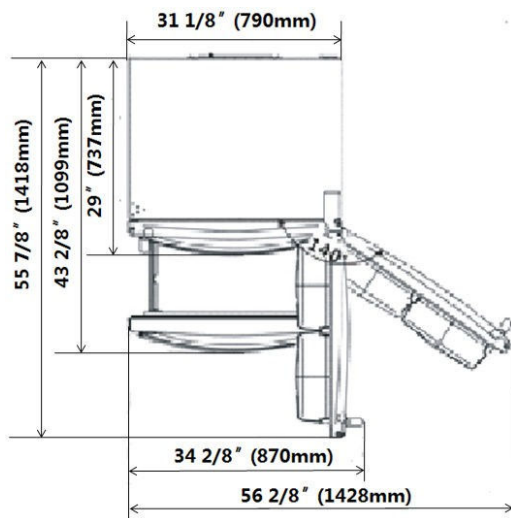
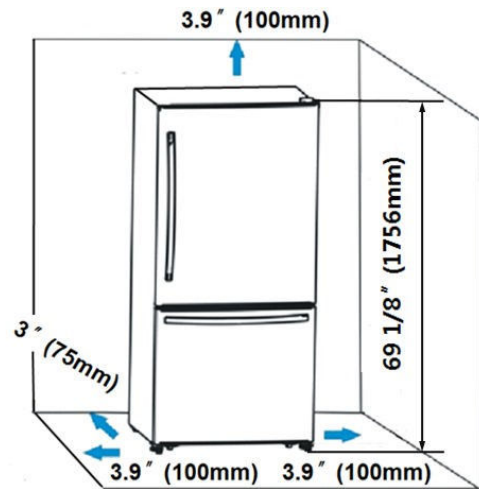
Los rodillos, que no son ruedas, solo se deben usar para moverla hacia delante o hacia atrás. Mover la nevera hacia los lados podría dañar el suelo y los rodillos.



### Ventilación del aparato

⚠ Para mejorar la eficiencia del sistema de refrigeración y ahorrar energía, es necesario mantener una buena ventilación alrededor del electrodoméstico para permitir la disipación del calor. Por esta razón, se debe dejar suficiente espacio libre alrededor del refrigerador.

**Sugerencia:** Se aconseja que haya al menos 3 pulgadas (75 mm) de espacio desde la parte trasera de la heladera a la pared, al menos 3 7/8 pulgadas (100 mm) de espacio desde la parte superior, al menos 3 7/8 pulgadas (100 mm) desde los laterales a la pared y un espacio libre en la parte superior para permitir que las puertas se abran a 140°. Como se muestra en los siguientes diagramas.

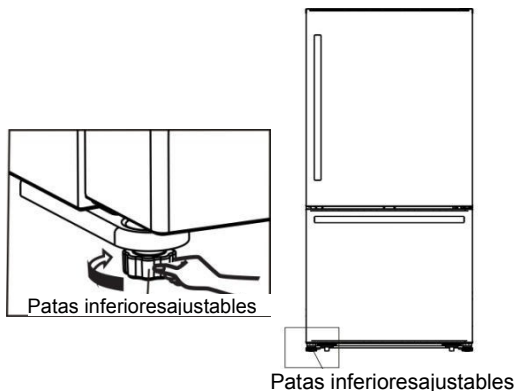
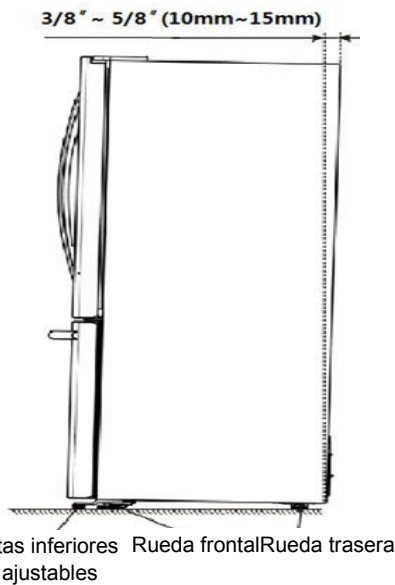


### Nota:

- El electrodoméstico funciona bien dentro de la temperatura ambiente entre 55° F (12.8 °C) y 110° F (43.3 °C). El electrodoméstico puede no funcionar correctamente si se deja a una temperatura superior o inferior del rango indicado.
- Coloque el aparato en un lugar seco para evitar daños por la humedad.
- Mantenga el electrodoméstico lejos de la luz solar, la lluvia o las heladas. Coloque el aparato alejado de fuentes de calor, como estufas, fuegos o calentadores.

### Estabilización del aparato

- Para una estabilización y una circulación de aire suficientes en la sección trasera inferior del aparato, es posible que sea necesario ajustar las patas inferiores. Las puede regular manualmente con la mano o utilizando una herramienta adecuada.
- Para permitir que las puertas se cierren solas, incline la parte superior hacia atrás unas 3/8 - 5/8 pulgadas (10-15 mm)



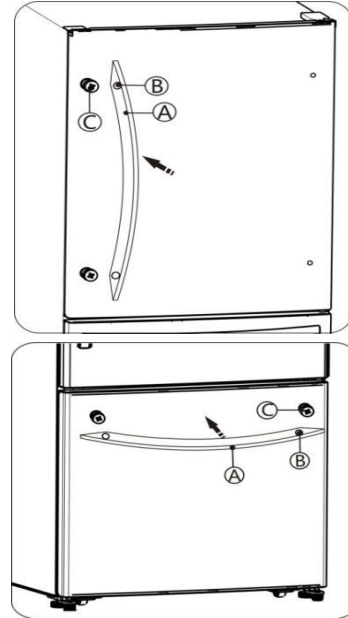
### Instalación de las manijas

Debe instalar las manijas que se encuentran en el compartimiento del refrigerador antes de utilizar el electrodoméstico.

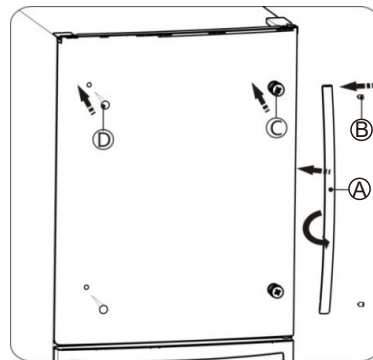
La manija más larga es la manija de la puerta de la heladera y la manija más corta es la del congelador.

Siga los siguientes procedimientos para instalar y cambiar el lado de la manija.

- Coloque la manija (A) en la puerta colocando la base de la manija sobre el soporte de la manija (C); luego, ajuste los tornillos (B) con una llave Allen de 3 mm (se suministra una de plástico).



- Cuando cambia el lado en el que se abre la puerta de la heladera, mueva la manija (A), los tornillos (B) y el soporte de la manija (C) al lado derecho. Mueva los cobertores de los orificios del tornillo (D) al lado izquierdo.




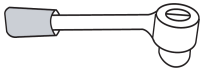
### Cambio de lado de la puerta de la heladera

Si el lugar de la instalación lo requiere, se puede cambiar el lado en el que se abre la puerta, desde el lado derecho (de fábrica) al lado izquierdo.

⚠ Advertencia!

Al invertir la puerta, el aparato no debe estar conectado a la corriente. Asegúrese de desenchufar el enchufe de la toma de corriente.

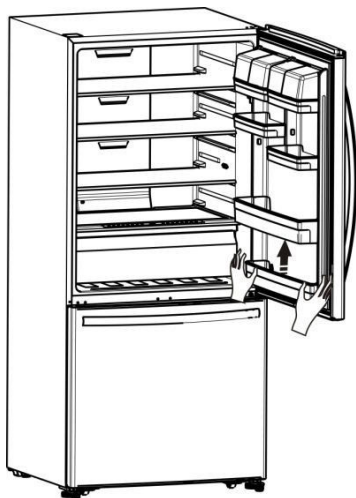
### Herramientas que necesitará (No incluidas):

	
Destornillador Phillips (de estrella) y destornillador plano	Llave tubo (8 mm)

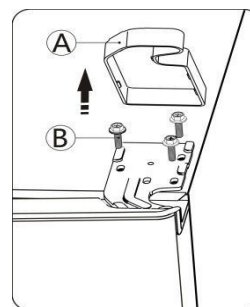
#### Nota:

Cuando se requiera, incline la parte trasera del refrigerador para tener acceso a la base; debe colocar el refrigerador sobre material de espuma o un material similar para evitar que se dañe el tablero del refrigerador. Para cambiar el lado en el que se abre la puerta, se recomiendan generalmente los siguientes pasos.

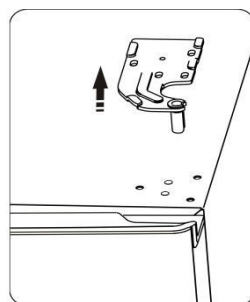
1. Coloque el refrigerador verticalmente. Abra la puerta superior para sacar todos los estantes de la puerta (para evitar daños) y, a continuación, cierre la puerta.



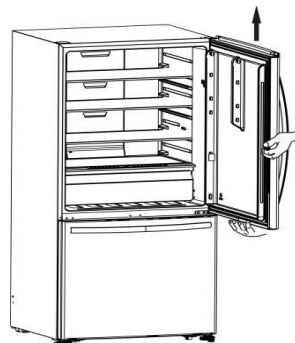
2. Con la puerta cerrada, quite el cobertor de la bisagra superior (A) (puede intentar con el destornillador plano) en el lado derecho superior del electrodoméstico y quite las tres bridas roscadas (B) con la llave tubo. Guarde la cubierta de la bisagra superior para futuras referencias.



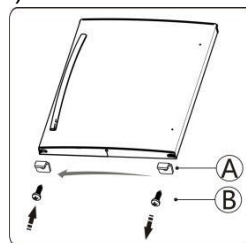
3. Quite la bisagra superior (sostenga la puerta superior con la mano mientras la instala). Guárdela para futuras referencias.



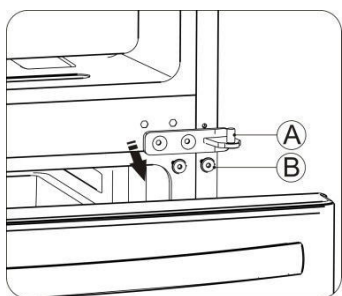
4. Utilice ambas manos para abrir la puerta a más de 90°. Levántela y quítela.



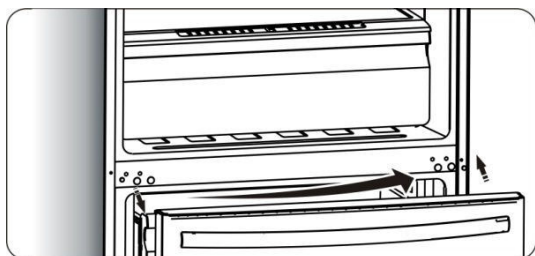
5. Afloje el tornillo (B) en la parte inferior de la puerta de la heladera y quite el bloque de tope (A); luego, instale el bloque de tope (A) en el lado derecho con el tornillo (B)



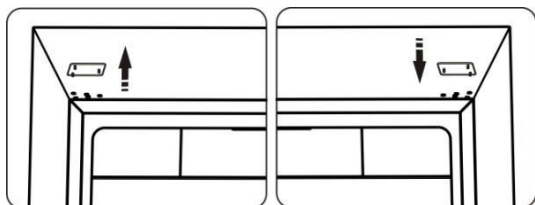
6. Abra la puerta del congelador, luego, afloje los 2 tornillos (B) con la llave Allen de 4 mm (se suministra una de plástico) y quite la bisagra central (B). Guarde labisagra central (A) para futuras referencias.



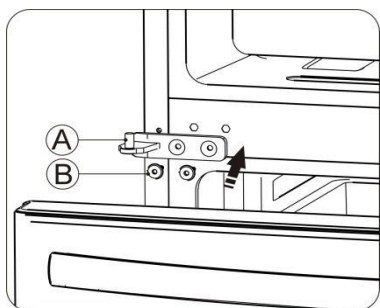
7. Cambie las cubiertas de los orificios de los tornillos de la parte central de la placa de cubierta de izquierda a derecha .



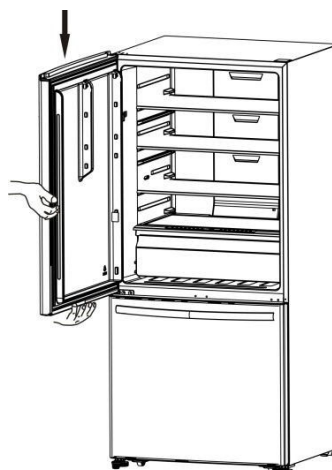
8. Quite el cobertor del orificio del tornillo (izquierda) del lado izquierdo superior del electrodoméstico e instálelo en el lado derecho superior del refrigerador.



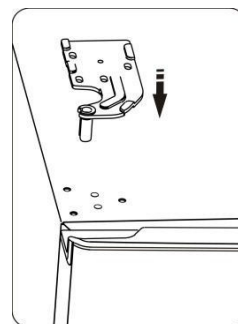
9. Saque la bisagra izquierda central (A) (se suministra una de plástico). Luego, atorníllela con 2 tornillos (B) desde el lado derecho.



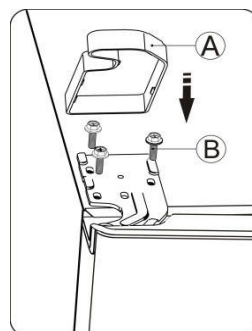
10. Cierre la puerta del congelador. Refiérase al paso 4, coloque la puerta de la heladera en el otro lado y luego cierre la puerta y muévela a la posición correcta.



11. Saque la bisagra izquierda superior de la bolsa de plástico. Colóquela en el lado izquierdo superior, refiérase al paso 3.



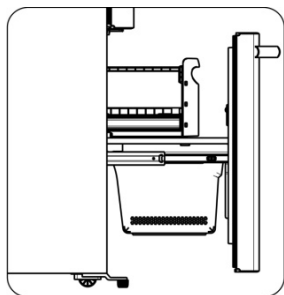
12. Saque el cobertor de la bisagra superior (A) de la bolsa de plástico, refiérase al paso 2 para instalarla.



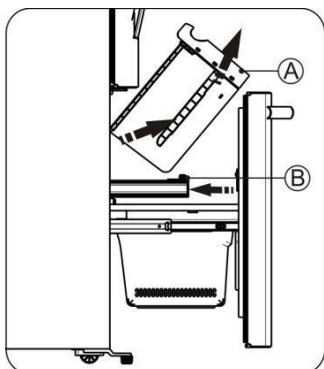
### Extracción de la puerta del congelador

En caso de que la puerta de acceso del hogar sea muy estrecha y no pueda pasar el refrigerador, quite las puertas del refrigerador y los cajones de la siguiente manera.

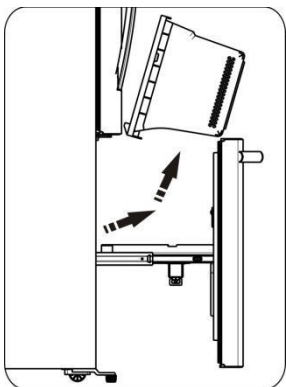
1. Abra completamente la puerta del congelador y retire el cajón superior del congelador.



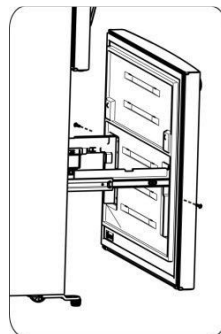
2. Quite el cajón superior del congelador (A) levantándolo del sistema de guías (B).  
3. Luego, presione el sistema de guías (B) de vuelta a su lugar.



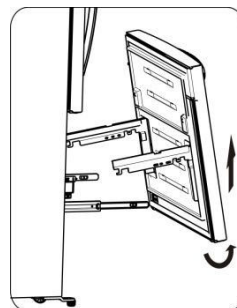
4. Quite el cajón inferior del congelador levantándolo hacia arriba.



5. Quite los 2 tornillos añadidos en el marco de soporte.



6. Saque la puerta del congelador y levántela siguiendo la dirección de la flecha.



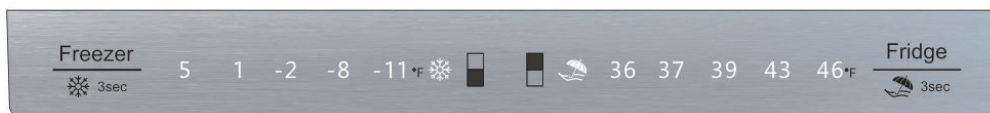
#### **Colocación de la puerta del congelador**

Para volver a colocar el cajón en el electrodoméstico, vuelva a colocar las piezas en orden inverso.

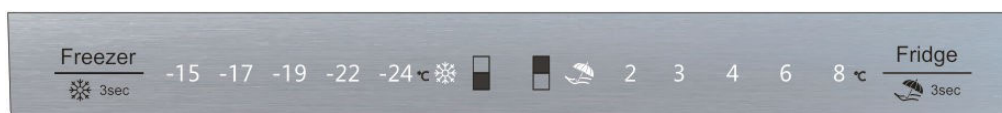
## Controles de la pantalla

Lea las instrucciones e imágenes a continuación como referencia al usar su aparato. Su modelo exacto puede ser ligeramente diferente a la imagen de abajo.

Pantalla Fahrenheit



Pantalla Celsius



### Control de la temperatura

Se recomienda que, cuando empiece a utilizar la nevera por primera vez, ajuste la temperatura de la nevera en 39°F (4 °C) y la del congelador en -2°F (-19 °C) . Si desea cambiar la temperatura, siga estas instrucciones.

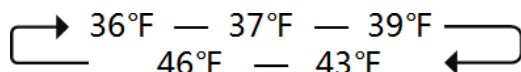
#### Precaución

Al ajustar una temperatura, se ajusta la temperatura media de todo el armario de la nevera. Las temperaturas del interior de cada compartimento pueden variar de las mostradas en el panel según la cantidad de comida que almacene y el lugar donde esté colocada. Las temperaturas ambientales elevadas o bajas también podrían afectar a la temperatura real del interior del aparato.

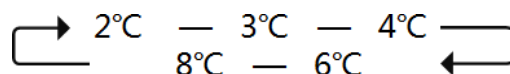
#### 1. Heladera



Presione la parte central del botón para establecer la temperatura entre 36° F y 46° F según sus necesidades; el panel de control mostrará las imágenes correspondientes según la siguiente secuencia.



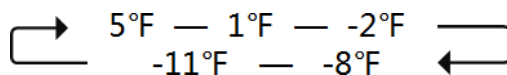
Si tiene la pantalla en grados Celsius, presione el botón para establecer la temperatura de la heladera entre 2° C y 8° C según sus necesidades; el panel de control mostrará las imágenes correspondientes según la siguiente secuencia.



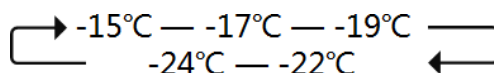
#### 2. Congelador



Presione la parte central del botón del congelador para establecer la temperatura entre 5° F y -11° F según sus necesidades; el panel de control mostrará las imágenes correspondientes según la siguiente secuencia.



Si tiene la pantalla en grados Celsius, presione el botón para establecer la temperatura de la heladera temperatura del congelador entre -15°C y -24°C según sus necesidades; el panel de control mostrará las imágenes correspondientes según la siguiente secuencia.



### 3. Super congelar



"Super congelar " puede disminuir rápidamente la temperatura y congelar los alimentos mucho más rápido que lo usual. Esta función lo ayuda a mantener las vitaminas y los nutrientes de los alimentos frescos por largos periodos.

- Pulse la parte central del botón durante 3 segundos para activar la función Super


Freeze. La luz  se iluminará.

- "Superfreeze" se desactiva automáticamente después de 52 horas.
- Cuando la función Super congelar está activada, la puede desactivar pulsando la parte central del botón y el ajuste de temperatura del congelador volverá al ajuste previo.

### 4. Modo de vacaciones



Si va a estar fuera por un largo periodo de tiempo, usted

puede activar esta función al presionar la parte central del botón durante 3 segundos hasta que la luz ilumine  .

**¡Importante! No almacene alimentos en la heladera durante ese tiempo. Esta característica no está diseñada para permitir el almacenamiento de alimentos cuando se activa.**

- Cuando esta función está activada, la temperatura del refrigerador cambia automáticamente a 59° F (15 °C) para minimizar el consumo de energía.
- Cuando esta función está activada, la puede desactivar al presionar la parte central del botón. La configuración de la temperatura de la heladera volverá a su ajuste previo.

## Uso Del Refrigerador

Esta sección explica cómo utilizar la mayoría de funciones útiles. Se recomienda leerla detenidamente antes de utilizar el aparato.

### 1. Uso del compartimento de nevera

El compartimento de refrigerador es apto para almacenar carnes, verduras y fruta. La fruta que meta debe estar envasada para evitar que pierda humedad o sabor que se impregne en otros alimentos.

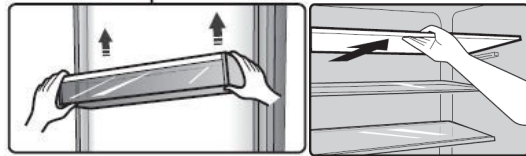
#### Precaución

Nunca cierre la puerta de la nevera con las estanterías, el cajón para verduras y/o guías telescópicas extendidas. Podrían dañarse, así como a la nevera.

#### Estanterías de cristal y estantes de puerta

El compartimento de nevera cuenta con varias estanterías de cristal y varios estantes de puerta diferentes, adecuados para guardar huevos, líquidos enlatados, bebidas embotelladas y alimentos empaquetados. Es posible colocarlos a diferentes alturas, según sus necesidades.

Sin embargo, no coloque demasiados objetos pesados en los estantes. Antes de inclinar el recipiente de la puerta en forma vertical, quite los alimentos.



#### Cajón

Es ideal para almacenar frutas y verduras. Se puede extraer para su limpieza.

Para quitarlo, abra completamente la puerta. Luego, quite el cajón y levante la parte superior del cajón crisper después de moverlo con mucho cuidado.

### 2. Uso del compartimiento del congelador

El compartimento del congelador consta de un cajón superior y un cajón inferior. Para instrucciones sobre cómo quitarlos, refiérase a la página 9.



## Limpeza y Cuidado

Por motivos de higiene, se debe limpiar periódicamente al menos cada dos meses el aparato (incluyendo los accesorios exteriores e interiores).

### Precaución

El aparato no debe estar conectado a la corriente durante la limpieza. ¡Peligro de descarga eléctrica! Antes de limpiarlo, apague el aparato y retire el enchufe de la toma de corriente.

### Limpeza exterior

Debe limpiar periódicamente el aparato para mantener su buen estado.

- Rocíe agua en el paño de limpieza en lugar de rociarla directamente sobre la superficie del aparato. Esto ayuda a garantizar una distribución uniforme de la humedad por la superficie.
- Limpie las puertas, las asas y las superficies del armario con detergente suave y séquelas con un paño suave.

### Precaución

- No use objetos afilados ya que podrían arañar la superficie.
- No utilice disolvente, detergente para vehículos, Clorox, aceite etéreo, limpiadores abrasivos ni disolventes orgánicos, como benceno, para limpiarlo. Podrían dañar la superficie del aparato y provocar un incendio.

### Limpeza interior

Debe limpiar periódicamente el interior del aparato. Le resultará más fácil limpiarlo cuando tenga poca cantidad de comida. Limpie el interior del congelador con una solución suave de detergente y agua y luego enjuague con agua tibia utilizando una esponja suave o un paño. Seque por completo antes de volver a colocar las bandejas y los estantes. Seque bien todas las superficies y partes extraíbles antes de volver a colocarlas.

Aunque este aparato se descongela automáticamente, podría haber

frecuentemente una capa de escarcha en el interior del compartimento congelador o si se deja abierto mucho tiempo. Si la escarcha es demasiado gruesa, elija un momento en el que las existencias de alimentos sean bajas y siga estos pasos:

1. Retire los alimentos y las cestas de accesorios, desenchufe el aparato de la corriente y deje las puertas abiertas. Ventile detenidamente la sala para acelerar el proceso de descongelación.
2. Cuando termine de descongelarlo, limpie el congelador como se describe anteriormente.

### ADVERTENCIA

No utilice objetos afilados para retirar la escarcha del compartimento congelador. Solo cuando el interior esté completamente seco, se puede volver a encender el aparato y volver a enchufarlo en la toma eléctrica.

### Sello de la puerta

Procure mantener limpios los sellos de la puerta. Los alimentos y bebidas pegajosas pueden provocar que los sellos se enganchen al armario y se desgarran cuando abra la puerta. Lave el sello con detergente suave y agua tibia. Aclárelo y séquelo detenidamente después de limpiarlo.

### Precaución

Solo se debe encender el aparato una vez los sellos de la puerta estén completamente secos.

### Sustituir la luz LED:

Advertencia: Una persona capacitada debe reemplazar la luz LED. Si la luz LED está dañada, siga los pasos que se indican a continuación

1. Desenchufe el aparato.
2. Quite el cobertor de la luz levantándolo y quitando la luz LED.
3. Sostenga la cubierta del LED con una mano y estire con la otra mientras presiona enganche del conector.
4. Reemplace la luz LED y presiónela correctamente en el lugar y vuelva a colocar el cobertor de la luz.

## Sugerencias y consejos útiles

### Consejos de ahorro de energía

Le recomendamos que siga las siguientes pautas.

- Procure evitar mantener la puerta abierta durante mucho rato para ahorrar energía. Asegúrese de que el aparato esté alejado de fuentes de calor (luz solar directa, horno eléctrico o estufa, etc).
- No ajuste la temperatura más fría de lo necesario.
- No almacene alimentos calientes ni líquido evaporado en el aparato.
- Coloque el aparato en una sala bien ventilada y libre de humedad. Consulte el capítulo "Instalar el nuevo aparato" .
- Si el diagrama muestra la combinación correcta de los cajones, el cajón para verduras y los estantes, no la ajuste ya que está diseñado para ofrecer la mejor configuración de eficiencia energética.

### Sugerencias para refrigerar alimentos frescos

- No coloque alimentos calientes directamente en el frigorífico o el congelador, ya que la temperatura interna aumentará haciendo que el compresor necesite más potencia y consuma más energía.
- Cubra o envuelva los alimentos, sobre todo si tienen un sabor fuerte.
- Coloque los alimentos cuidadosamente para que el aire pueda circular libremente en torno a ellos.

### Consejos de refrigeración

- Para carnes: (todos los tipos) envueltas y colocadas en el estante de vidrio sobre el cajón de verduras. Siga el periodo de almacenamiento de los alimentos y utilice las fechas sugeridas por los fabricantes.
- Alimentos cocinados, platos fríos, etc.:

Se deben cubrir y se pueden colocar en cualquier estantería.

- Frutas y verduras:

Deben almacenarse en el cajón especial incluido.

- Mantequilla y queso:

Se deben envolver con plástico hermético o película plástica.

- Botellas de leche:

Deben tener una tapa y se pueden almacenar en los estantes de la puerta.

### Consejos de congelación

- Cuando lo encienda por primera vez o lo utilice después de un periodo largo, deje que el aparato funcione al menos 2 horas con los ajustes más altos antes de colocar alimentos en el compartimento.
- Prepare los alimentos en porciones pequeñas para que se congelen del todo rápidamente y para que sea posible después descongelar solo la cantidad necesaria.
- Envuelva los alimentos en papel aluminio o film hermético.
- No permita que los alimentos frescos y sin congelar toquen los que ya estén congelados para evitar que suba la temperatura de estos últimos.
- Productos helados, (cubos de hielo, paletas heladas): si se consumen inmediatamente después de sacarlos del congelador causarán quemaduras de frío en la piel.
- Se recomienda etiquetar y fechar cada paquete congelado para mantener un registro de su tiempo de almacenamiento.

### Consejos para almacenar alimentos congelados

- Asegúrese de que el vendedor de los alimentos haya almacenado correctamente los alimentos congelados.
- Una vez descongelados, los alimentos se deteriorarán rápidamente y no deben volverse a congelar. No supere el periodo de almacenamiento indicado por el fabricante de los alimentos.

### Apagar el aparato

Si necesita apagar el aparato durante un periodo largo, debe tomar los pasos siguientes para evitar la aparición de moho en el aparato.

- |  |   |
|--|---|
| <ol style="list-style-type: none"> <li>1. Retire todos los alimentos</li> <li>2. Retire el enchufe eléctrico de la corriente.</li> </ol> | <ol style="list-style-type: none"> <li>3. Limpie y seque completamente interior.</li> <li>4. Asegúrese de que todas las puertas queden ligeramente abiertas para permitir que circule el aire.</li> </ol> |
|--|---|

## Solución de problemas

Si experimenta algún problema con el aparato o le preocupa que no funcione correctamente, puede realizar estas sencillas comprobaciones antes de llamar al servicio técnico.



### ADVERTENCIA

1. No intente reparar el aparato usted mismo. Si el problema persiste después de haber realizado las comprobaciones descritas a continuación, póngase en contacto con un electricista cualificado, un ingeniero de mantenimiento autorizado o con la tienda donde compró el producto.
2. Se incluye una declaración sobre riesgos por menores atrapados en el manual de funcionamiento o en el manual de uso y cuidado incluido con cada refrigerador.

Problema	Causa posible y solución
El aparato no funciona correctamente	Compruebe si el cable eléctrico está enchufado correctamente en la toma eléctrica.
	Compruebe el fusible o el circuito del suministro eléctrico y sustitúyalos si fuera necesario.
	La temperatura ambiental es demasiado baja. Pruebe a ajustar la temperatura de la cámara en un nivel más frío para resolver este problema.
	Es normal que el congelador no funcione durante el ciclo de descongelación automática, o durante un breve tiempo después de encender el aparato para proteger el compresor.
Salen olores de los compartimentos	Es posible que sea necesario limpiar el interior.
	Algunos alimentos, recipientes o envoltorios podrían desprender olores.
Se oye ruido del aparato	<p>Los sonidos descritos a continuación son normales:</p> <ul style="list-style-type: none"> <li>• Ruido de funcionamiento del compresor.</li> <li>• Ruido de movimiento de aire del motor del ventilador pequeño en el compartimento del congelador o los otros compartimentos.</li> <li>• —Sonido de borboteo parecido al del agua en ebullición.</li> <li>• —Golpeteos durante la descongelación automática.</li> <li>• —Chasquidos antes de que arranque el compresor.</li> <li>• —Se escucha un chasquido al sacar agua.</li> <li>• —Se oyen ruidos del motor al sacar hielo..</li> </ul>

	<p>Otros ruidos inusuales pueden ser debidos a los motivos descritos a continuación y es posible que deba comprobarlos y tomar medidas:</p> <p>El armario no está nivelado.</p> <p>La parte trasera del aparato toca la pared.</p>
	Las botellas o recipientes se caen o ruedan.
El motor funciona continuamente.	<p>Es normal escuchar periódicamente el sonido del motor, que deberá funcionar con más intensidad en las siguientes circunstancias:</p> <ul style="list-style-type: none"> <li>•—La temperatura establecida es más fría de lo necesario.</li> <li>•—Se ha guardado recientemente una gran cantidad de alimentos calientes en el aparato.</li> <li>•—La temperatura exterior del aparato es demasiado elevada.</li> <li>•—Las puertas han estado abiertas demasiado rato o con mucha frecuencia.</li> <li>•Después de instalar el aparato o cuando ha estado apagado durante mucho tiempo.</li> </ul>
Hay una capa de escarcha en el compartimento	<p>Compruebe que las salidas de aire no estén bloqueadas con alimentos y asegúrese de que la comida esté colocada dentro del aparato de forma que permita una ventilación suficiente. Asegúrese de que la puerta esté completamente cerrada. Para retirar la escarcha, consulte el capítulo de “Limpieza y cuidado”.</p>
La temperatura interior es demasiado cálida	Es posible que las puertas hayan estado abiertas demasiado rato o con mucha frecuencia, o que las puertas se mantengan abiertas por algún obstáculo, o que el aparato tenga poco espacio a los lados, en la parte trasera o encima
La temperatura interna es demasiado fría	Aumente la temperatura según se indica en el capítulo “Controles del panel de visualización”.
La puertas no pueden cerrarse fácilmente	Compruebe si la parte superior de la nevera está inclinada hacia atrás 10-15 mm para permitir que las puertas se cierren automáticamente, o si dentro hay algo que evite que las puertas se cierren.
La luz no funciona	<ul style="list-style-type: none"> <li>•La luz LED podría estar dañada. Consulte el procedimiento para sustituir las luces LED en el capítulo de “Limpieza y cuidado” .</li> <li>•El sistema de control ha desactivado las luces porque se ha mantenido la puerta abierta demasiado tiempo. Cierre y vuelva a abrir la puerta para volver a activar las luces.</li> </ul>
Se escucha burbujeo en el agua del refrigerador	Es normal. El burbujeo proviene del líquido refrigerante que circula por el refrigerador.

## Eliminación del aparato

### PELIGRO:

Está prohibido eliminar este aparato con los residuos domésticos.

#### Material de embalaje

Los materiales de embalaje con el símbolo de reciclaje son reciclables. Arroje el embalaje al contenedor de recogida de residuos adecuado para reciclarlo.

#### Antes de eliminar el aparato


1. Retire el enchufe eléctrico de la toma eléctrica.
2. Corte el cable eléctrico y deséchelo con el enchufe.

### ADVERTENCIA

¡Peligro potencial de sofocación! Podría ocurrir la muerte o un daño cerebral. Quite las puertas para evitar la posible sofocación.

1. Para evitar un peligro potencial de asfixia, retire completamente las puertas de su refrigerador viejo de inmediato. Deje los estantes para que los niños no puedan meterse dentro ni trepar.
2. Al desechar el electrodoméstico, hágalo únicamente en el centro de eliminación de residuos autorizado. No lo expongan a llamas.

Los refrigeradores contienen refrigerante y gases en el aislamiento. El refrigerador y los gases tienen que ser desechados de manera profesional ya que pueden causar lesiones a los ojos o la ignición. Asegúrese de que los tubos del circuito refrigerante no estén dañados antes de desechar correctamente el aparato.

	<b>Eliminación correcta del producto</b>
	<p>Esta marca indica que no se debe eliminar el producto con otros residuos domésticos en la UE. En su lugar, se debe llevar al punto de recogida de residuos adecuados para reciclar el equipo eléctrico y electrónico. Al asegurarse de que este producto se elimina correctamente, ayudará a prevenir las consecuencias negativas potenciales para el entorno y la salud humana, que de lo contrario podrían ser causadas por la manipulación inadecuada de los residuos de este producto. Para más información detallada acerca del reciclaje de este producto, póngase en contacto con el servicio de eliminación de residuos domésticos de su ayuntamiento o con la tienda donde compró el producto.</p>

“Declaración de Copyright 2018 Hisense Company Ltd. Todos los derechos reservados. Todo el material contenido en este Manual de Usuario es propiedad de Hisense Company Ltd. y sus subsidiarias, y está protegido por los derechos de autor de los EE.UU., CANADÁ, MÉXICO y el copyright internacional y demás las leyes de propiedad intelectual. La reproducción o transmisión, total o parcial, de los materiales, de cualquier manera, electrónica, impresa o de otro tipo, sin el consentimiento previo por escrito de Hisense Company Ltd. constituye una violación de los derechos de Hisense Company Ltd. en virtud de las leyes mencionadas. Ninguna parte de esta publicación puede ser almacenada, reproducida, transmitida o distribuida, en su totalidad o en parte, de ninguna manera, ya sea por medios electrónicos o de otro tipo, ya sea por un cargo u otra contraprestación o sin contraprestación, sin el permiso previo por escrito de Hisense Company Ltd. Las solicitudes de permiso para almacenar, reproducir, transmitir o distribuir materiales se pueden hacer a una de las siguientes direcciones: Estados Unidos: Hisense USA Corporation 7310 McGinnis Ferry Road Suwanee, GA 30024 CANADÁ: Hisense Canada Co., Ltd 2283 Argentia Road, Unit 16 Mississauga, ON, Canada L5N 5Z2 MÉXICO: Hisense Mexico S. de R.L. de C.V. Blvd. Miguel de Cervantes Saavedra No 301 Torre Norte Piso 2, Col. Ampliación Granada Miguel Hidalgo, Ciudad de México, C.P. 11520 Hisense, y todos y cada uno de los demás nombres de productos, logotipos, eslóganes o marcas de Hisense son marcas registradas de Hisense Company Ltd. y sus subsidiarias. Todas las demás marcas comerciales son propiedad de sus respectivos titulares. 2018. Todos los derechos reservados. Hisense y el logotipo de Hisense son marcas registradas de Hisense. Otras marcas y nombres de productos son marcas registradas de sus respectivos propietarios.