

5-Light Glass LED Linear Chandelier

Caution: Please turn off power before installation and read the manual carefully, we advise you contact professional electricians to install for safety purpose.

Product Features

Style: Modern

Material: Metal, Glass

Base Type: Integrated LED

Light Source Included: Yes

Voltage: 120VAC

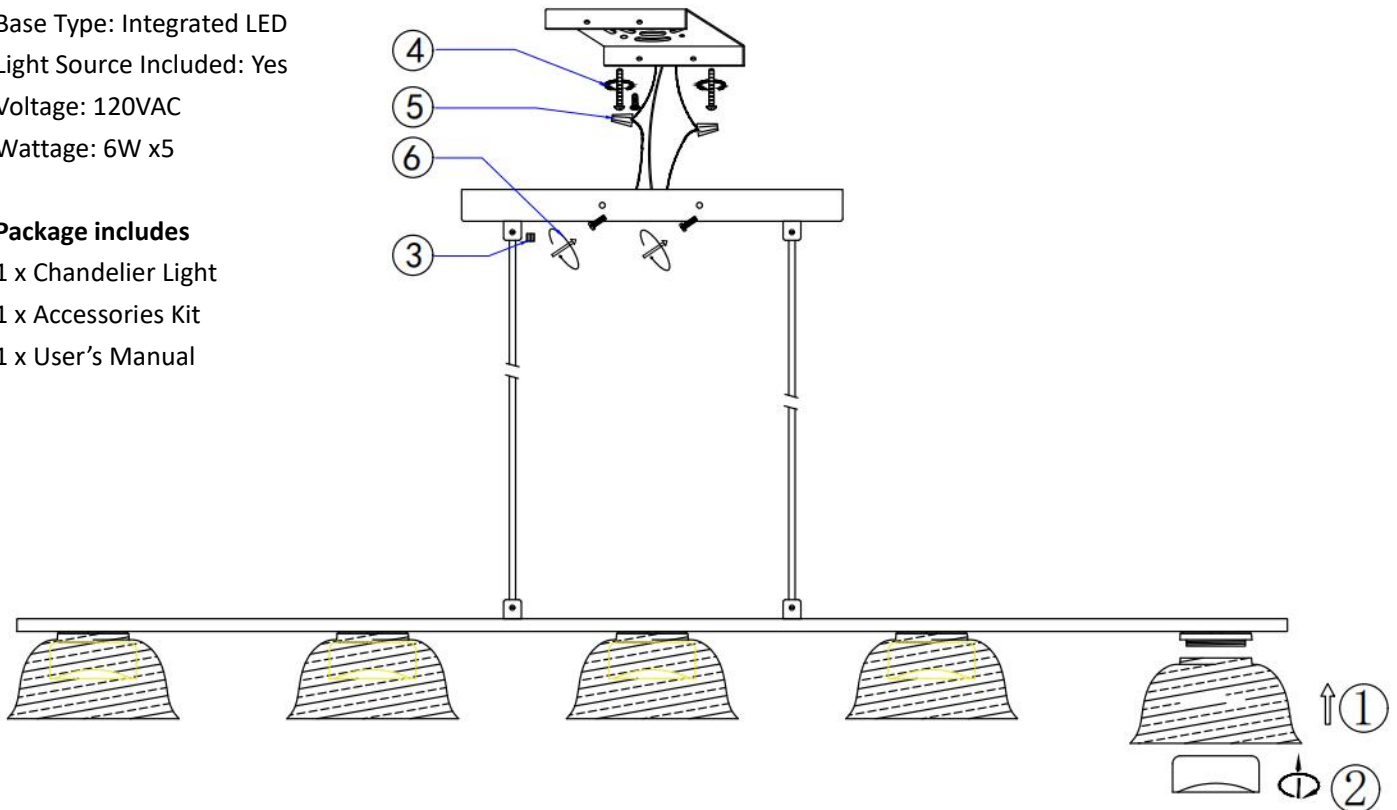
Wattage: 6W x5

Package includes

1 x Chandelier Light

1 x Accessories Kit

1 x User's Manual



Installation Instructions

- 1-2. Place the glass into the light holder, and then tighten it with the acrylic lampshade.
3. First loosen the side-thread screw, adjust the hang cable to the required length, and then tighten the side-thread screw to fix the height of the hang cable. Adjust the figure-eight buckle in the ceiling plate to the wire outlet.
4. Fix the mounting plate to the junction box with screws.
5. Connect the fixture wires (neutral, live, and ground wire) and the wires reserved on the junction box with wire nuts respectively. Ensure no wires are exposed during wiring.
6. Cover the ceiling plate on the mounting plate, and then tighten the ceiling plate with screws.

Note: Please use this product accordingly to its intended purpose, do not retrofit or remodeling the product. The warranty does not cover if the failure is caused by the third party product, or natural disasters.

Made in China