

www.elmplus.com

E-mail: service@elmplus.com

US Toll Free: 888 - 357 - 7263

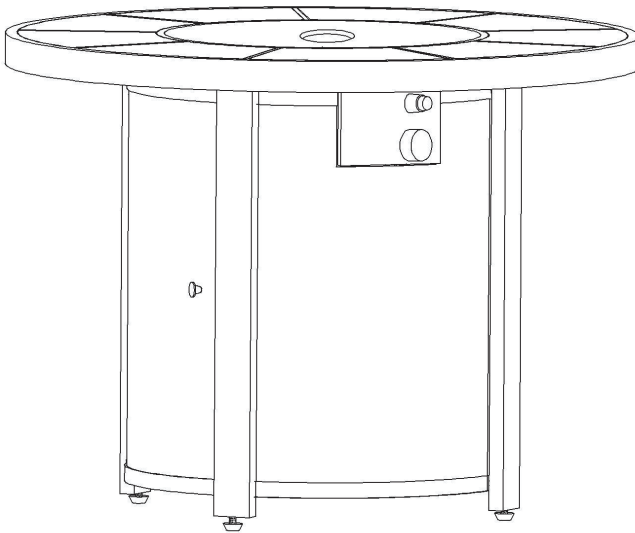


Elm Plus LLC

2704 Handley Ederville Rd Richland Hills, TX76118



32"D 30000-BTU Slates Top Aluminum Propane Fire Pit with Cover



Product has been CSA tested and certified.



Read this manual before installing and operating this appliance.

Failure to follow these instructions may result in electric shock, fire property, or personal injury. Do not store or use gasoline or other flammable liquids in vicinity of this appliance.

IMPORTANT SAFETY INFORMATION!

IMPORTANT, FAILURE TO CAREFULLY READ, UNDERSTAND AND FOLLOW EVERY PART OF THIS DOCUMENT MAY RESULT IN PROPERTY DAMAGE, SERIOUS BODILY INJURY OR DEATH.

DANGER

FIRE OR EXPLOSION HAZARD

If you smell gas:

- Shut off gas to the appliance.
 - Extinguish any open flame.
 - If odor continues, leave the area immediately.
 - After leaving the area, call your gas supplier or fire department.
- Failure to follow these instructions could result in fire or explosion, which could cause property damage, personal injury, or death.

WARNING

INSTALLER: Leave this manual with the appliance.

CONSUMER: Retain this manual for future reference.

WARNING For outdoor use only.

Installation and service must be performed by a qualified installer, service agency. or the gas supplier.

WARNING

Do not store or use gasoline, or other flammable vapors and liquids, in the vicinity of this or any other appliance.

An LP-cylinder not connected for use shall not be stored in the vicinity of this or any other appliance.

DANGER **CARBON MONOXIDE HAZARD**

This appliance can produce carbon monoxide which has no odor.

Using it in an enclosed space can kill you.

Never use this appliance in an enclosed space such as a camper, tent, car or home.

If you are assembling this unit for someone else, give this Owner's Manual to them to read.

SAFETY INFORMATION **DANGER** **EXPLOSION-FIRE HAZARD**

Keep solid combustibles, such as building materials, paper or cardboard, a safe distance away from the fire pit as recommended by the instructions.

Provide adequate clearances around air openings into the combustion chamber.

Never use the fire pit in spaces which do or may contain volatile or airborne combustibles, or products such as gasoline, solvents, paint thinner, dust particles or unknown chemicals.

During operation, this product can be a source of ignition. Keep fire pit area clear and free from combustible materials, gasoline, paint thinner, cleaning solvents and other flammable vapors and liquids. Do not use fire pit in areas with high dust content.

DANGER



CARBON MONOXIDE HAZARD

This fire pit is a combustion appliance. All combustion appliances produce carbon monoxide (CO) during the combustion process. This product is designed to produce extremely minute, non-hazardous amounts of CO if used and maintained in accordance with all warnings and instructions. DO not block air flow into or out of the fire pit. Carbon monoxide (CO) poisoning produces flu-like symptoms, watery eyes, headaches, dizziness, fatigue and possibly death. You can't see it and you can't smell it. It's an invisible killer. If these symptoms are present during operation of this product get fresh air immediately!
For outdoor use only.

Never use inside house, or other unventilated or enclosed areas. This fire pit consumes air (oxygen). Do not use in unventilated or enclosed areas to avoid endangering your life.

DANGER



EXPLOSION - FIRE HAZARD

Never store propane near high heat, open flames, pilot lights, direct sunlight, other ignition sources or where temperatures exceed 120 degrees F (49°C). Propane vapors are heavier than air and can accumulate in low places. If you smell gas, leave the area immediately.

Never install or remove propane cylinder while fire pit is lighted, near flame, pilot lights, other ignition sources or while fire pit is hot to touch.

The fire pit is red hot during use and can ignite flammables too close to the burner. Keep flammables at least 4 feet from sides & 4 feet from rear, 6 feet from ceiling. Keep gasoline and other flammable liquids and vapors well away from fire pit.

Store the propane cylinder outdoors in a well-ventilated space out of reach of children. Never store the propane cylinder in an enclosed area (house, garage, etc.). If fire pit is to be stored indoors, disconnect the propane cylinder for outdoor storage and allow the fire pit to fully cool down prior to move indoors.

WARNING 

Use factory approved replacement parts and accessories only. Use of unapproved part or accessories can void the warranty on this product and result in a hazardous condition. Please contact us for information regarding replacement hoses, thermocouples, electrodes, ignition modules, lava rocks, logs, fire ice, etc.

For use with 20lb (9kg) propane cylinder with type 1 connection or for use with natural gas after conversion kit is installed (must be professionally installed) also the LP regulator must be supplied by the manufacturer.

WARNING 

We cannot foresee every use which may be made of our fire pit. Check with your local fire safety authority if you have questions about fire pit use.

Other standards govern the use of fuel gases and heat producing products for specific uses. Your local authorities can advise you about these.

If no local codes exist, follow National Fuel Gas Code, ANSI Z223.1. In Canada, installation must conform to local codes. If no local codes exist, follow the current National standards of CANADA CAN/CGA-B 149.2.

DANGER



Failure to comply with the precautions and instructions provided with this fire pit can result in death, serious bodily injury and property loss or damage from hazards of fire, explosion, burn, asphyxiation, and/or carbon monoxide poisoning. Only persons who can understand and follow the instructions should use or service this fire pit.

IMPORTANT SAFETY INFORMATION



The installation must conform with local codes or, in the absence of all applicable local codes, including, without limitation, with the National Fuel Gas Code, ANSI Z223.1/NFP A 54; International Fuel Gas Code; Natural Gas and Propane Installation Code, CSA B149.1; or Propane Storage and Handling Code, B149.2, as applicable.

The appliance and its appliance main gas valve must be disconnected from the gas supply piping system during any pressure testing of that system at test pressures in excess of 1/2 psi (3.5kPa).

The appliance must be isolated from the gas supply piping system by closing its equipment shutoff valve during any pressure testing of the gas supply system at test pressure equal to or less than 1/2 psi (3.5kPa).

The appliance area must be kept clear and free from combustible materials, gasoline and other flammable vapors and liquids.

Do not use this appliance if any part has been damaged or under water. Immediately call a qualified service technician to inspect the appliance and to replace any part of the control system and any gas control which has been damaged or under water.

WARNING



Do not sit or stand on appliance even when not in use and do not touch appliance while in use or for at least 45 minutes after use as the appliance is very hot during use and can cause serious burns.

WARNING



The appliance will remain hot for up to 45 minutes after use. Do not touch or move appliance for at least 45 minutes after it has been completely shut off.

WARNING 

Children and adults should be alerted to the hazards of high surface temperatures and kept at a safe distance to avoid burns or clothing ignition.

WARNING 

All children should be kept away from the appliance and should not be allowed near the product unless carefully supervised by an adult.

WARNING 

Clothing, any other object or flammable material should not be hung from the appliance, placed on, near or underneath the appliance.

WARNING 

Any screen or guard removed for servicing an appliance must be replaced prior to operating the appliance.

WARNING 

Keep children away from this appliance. This appliance contains small parts that can be swallowed by children resulting in serious bodily injury or death.

WARNING 

Installation and repair should be done by a qualified service person. The appliance should be inspected before use and at least annually by a professional service person. More frequent cleaning may be required as necessary. It is imperative that the control compartments, burners and circulating air passageways of the appliance be kept clean.

Do NOT burn solid fuels in this gas fireplace.

Do NOT ignite the burner before pouring all of the burner media (lava rock or fire ice) into the burner pan. The media must be evenly distributed over the burner.

If during initial firing of fire pit, please stay away from the fire pit for 20 minutes as fire media (lava rock or fire ice) may pop and hit someone on the face or eyes.

Do NOT ignite or use the fire pit if the burner media (lava rock or fire ice) are wet. Ensure the burner media are completely dry before igniting as intense heat could cause the media to crack and pop. Always place the cover on the appliance when not in use in order to avoid water contacting the media.

It is UNSAFE to use this product for any purpose except as described in this document including, without limitation, cooking.

CAUTION: The propane gas pressure regulator provided with this appliance must be used. This regulator is set for an outlet pressure of 11 inches water column.

This outdoor gas appliance is not intended to be installed in or on recreational vehicles and/or boats.

Before each use of this gas appliance, open the LP (Liquid Propane) Tank Drawer and inspect the LP Hose. If there is evidence of excessive abrasion or wear, or the hose is cut, it must be replaced prior to the gas appliance being put into operation. Use only the replacement hose assembly specified in this manual. Inspect the burner before each use of the appliance. The burner must be replaced prior to the appliance being put into operation if it is evident that the burner is damaged. Use only the burner listed in these instructions.

Keep the fuel supply hose away from any heated surfaces.

If you have any questions regarding the use of this unit, or find that your fire pit unit needs service, please contact manufacturer.

IMPORTANT SAFETY INFORMATION

A self-contained LP-gas cylinder for use with this appliance must have a capacity of 20 lbs. and must be equipped with a Type 1 connector and an OP D (overfill protection device). See Figure 1.

The LP-gas supply cylinder to be used must be constructed and marked in accordance with the specification for LP- gas cylinders of the U.S. Department of Transportation (DOT) or the National Standard of Canada, CAN/CSA-B339, Cylinder, Sphere and Tubes for the Transportation of Dangerous Goods.

- The cylinder supply system must be arranged for vapor withdrawal.
- The cylinder used must include a collar to protect the cylinder valve.
- This appliance shall be used only outdoors in a well-ventilated space and shall not be used in a building, garage or any other enclosed space.
- When this appliance is not in use, the gas must be turned off at the supply cylinder.
- Storage of this appliance indoors is permissible only if the cylinder is disconnected and removed from the appliance.

WARNING

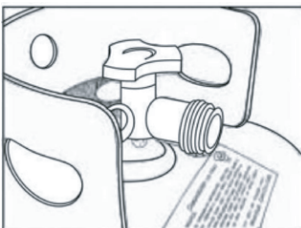
Cylinders must be stored outdoors in a well-ventilated area out of the reach of children.

Disconnected cylinders must have threaded valve plugs tightly installed and must not be stored in a building, garage or any other enclosed areas.

Storing cylinders indoors or in poorly ventilated spaces outdoors can result in serious bodily injury and/or death.

CSA (Canadian Standards Association) certified to ANSI Z21.97•CSA 2.41- 2017 “ Outdoor Decorative Gas Appliances”.

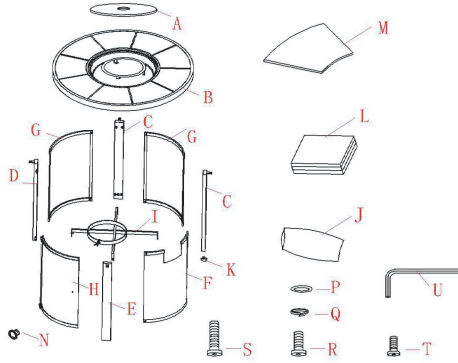
Figure 1



SPECIFICATIONS

INPUT	30,000 Btu/hr	
Propane Regulator Pressure	11 inches water column	
Clearances to combustible surfaces	Sides:72 in. / 182.9 cm	Top:48in. / 121.9cm

EXPLOSIVE VIEW



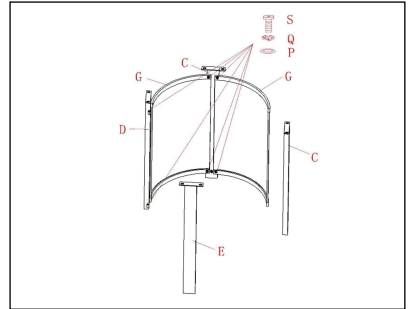
Item	Description	Qty
A	Burner Cover	1
B	Table Top	1
C	Back Post	2
D	Front Right Post	1
E	Front Left Post	1
F	Ignition Side	1
G	Side	2
H	Door	1
I	Cylinder Holder	1
J	Lava Rock	1 Box
K	Adjustable Leveler	4
L	PVC Cover	1
M	Slate	9
N	Knob	1
P	Flat Washer	24
Q	Spring Washer	24
R	1/4 in x 15 mm Bolt	8
S	1/4 in x 20 mm Bolt	16
T	#4 x 20 mm Screw	1
U	Allen Wrench	1

ASSEMBLY INSTRUCTIONS

- * Please keep this owner's manual for future reference.
- * Please unpack and identify all parts using the parts list provided.
- * Note: DO NOT tighten any bolts until all bolts have been started.

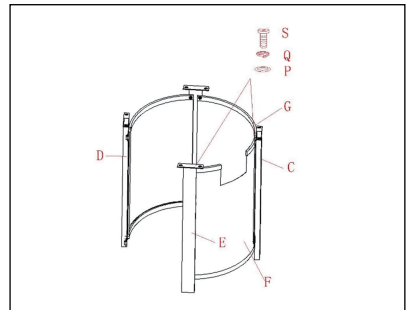
STEP 1

Connect the Front Right Post (D), Side (G), Back Post (C), Side (G) with 6 pieces $\frac{1}{4}$ in x 20mm Bolts (S), 6 Spring Washers (Q) and 6 Flat Washers (P) as shown on the right.



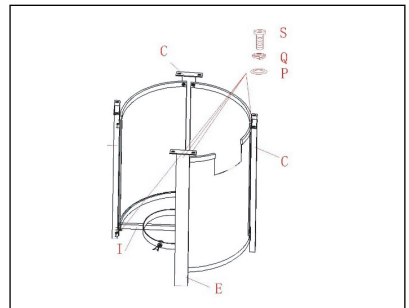
STEP 2

Secure the Side (G), Back Post (C), Ignition Side (F), Front Left Side (E) with 6 pieces $\frac{1}{4}$ in x 20mm Bolts (S), 6 Spring Washers (Q) and 6 Flat Washers (P).



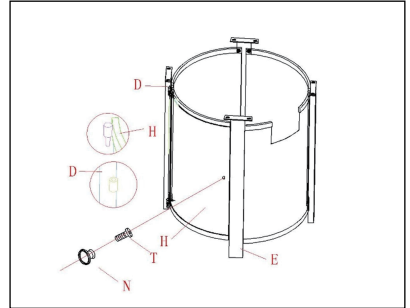
STEP 3

Secure the Cylinder Holder (I) and Front Left Post (E), Front Right Post (D), Back Post (C) with 4 pieces $\frac{1}{4}$ in x 20 mm Bolts (S), 4 Spring Washers (Q) and 4 Flat Washers (P) just as right shown.



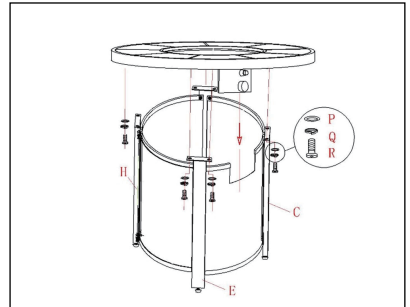
STEP 4

Place the Door (H) in the body, and install the Knob (N) with #4 x 20mm Screw (T) attaching from back of door.



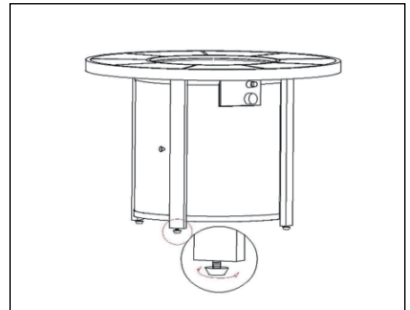
STEP 5

Assemble the base frame to the top with 8 pieces ¼ in x 15 mm Bolts (R), 8 Spring Washers (Q) and 8 Flat Washers (P).



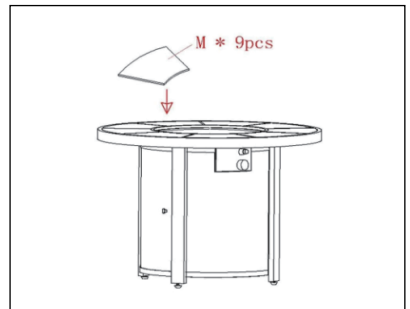
STEP 6

Use the Adjustable Leveler (K) to adjust the level.



STEP 7

Put the 9 pieces inlay Slates (M) on the Table Top (B).



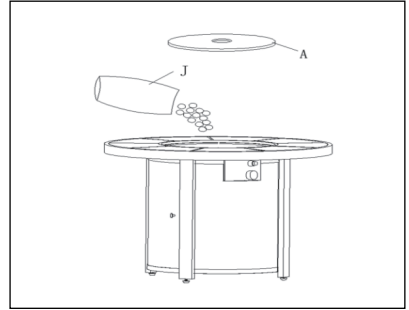
STEP 8

Pour the box of Lava Rocks (J) into the fire table body around Table Top (B).

Note: (A) Cover must be removed when burner is in operation.

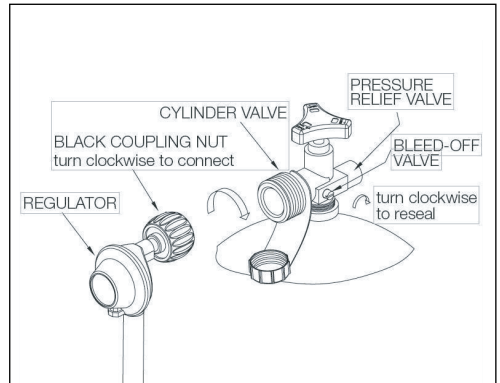
DANGER WARNING:

To ensure proper function, the guard on this burner should be free of lava rocks at all times.



STEP 9

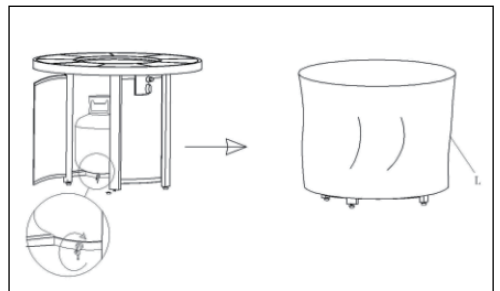
Turn the cylinder valve on the tank clockwise to close the propane tank. Attach the preassembled regulator to the cylinder valve by turning the regulator coupling nut clockwise. Make sure it is fastened securely and tighten connections by hand only. Open the tank valve. Apply a solution of soapy water to the tank-regulator connection and to the valve-hose connection to check for leaks. If soap bubbles continue to form, the connection has a leak. If a leak is found, close the tank valve and tighten all connections.



NEVER USE A FLAME TO CHECK FOR LEAKS AS DOING SO CAN CAUSE AN EXPLOSION OR FIRE RESULTING IN PROPERTY DAMAGE, SERIOUS BODILY INJURY OR DEATH.

STEP 10

Place the 20-pound cylinder into the main body and tighten it as shown on the right, so the gas cylinder cannot move and fall down, close the door, cover the fire pit with PVC Cover (L) when not in use to protect it from the elements or when fire pit is cool COMPLETELY after the use.

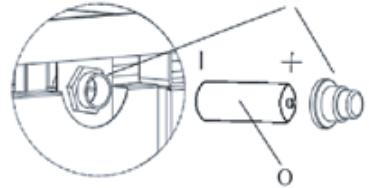


NATURAL GAS CONVERSION



BATTERIES

Make sure the control knob is in the “OFF” position. Unscrew the push button cap on the ignition module located on the control panel to access the battery compartment. The ignition module requires one AAA size battery. Battery is not included.



WARNING

Prior to turning gas on and attempting to light the appliance, make sure the appliance is outside, in a well ventilated area and free of any debris and is not in contact with or near any people, animals, materials or structures. Failure to adhere to the above instruction may result in property damage, serious bodily injury or death.

LIGHTING INSTRUCTIONS

To Light

1. Read instructions before lighting.
2. Control knob must be in the “OFF” position.
3. Connect propane cylinder (See Manual), open cylinder valve.
4. Push and turn control knob counter clockwise to “LOW”.
5. Press the igniter button repeatedly to light burner.
6. Release control knob after 15 seconds for the first time using.
7. If ignition does not occur in 15 seconds, push and turn burner control knob to “OFF”, wait 5 minutes, fan with newspaper or magazine, and repeat lighting procedure.
8. If igniter does not light burner, use a long match or long butane lighter.
9. After burner ignites, adjust flame to desired flame with the control knob.

To Extinguish

1. Turn and push the control knob clockwise to the OFF position.
2. Close cylinder valve, disconnect propane cylinder.

MAINTENANCE

- Before performing any maintenance always disconnect propane gas tank.
- Keep the heating item free and clear from combustible materials.
- Visually inspect burner for obstructions and keep tank enclosure free and clear from debris.
- Use a soft brush to get rid of the mild stains, loose dirt and soil after the burner is completely cooled down. Wipe down with a soft cloth.
- Harsh weather conditions may cause stubborn stains, discoloration and possibly rust pitting.
- Permanent damage may occur if powder or solvent comes in contact with painted or plastic components on this heating unit.
- Keep the heating unit stored away from direct sunlight.
- If storing this unit inside, disconnect the propane gas tank from the gas valve.
- Not using manufacturer approved or supplied parts/accessories may result in a defective condition and void the warranty of this heating unit.
- Carbon deposits may pose as a fire hazard; clean the reflector and inside of the glass tube

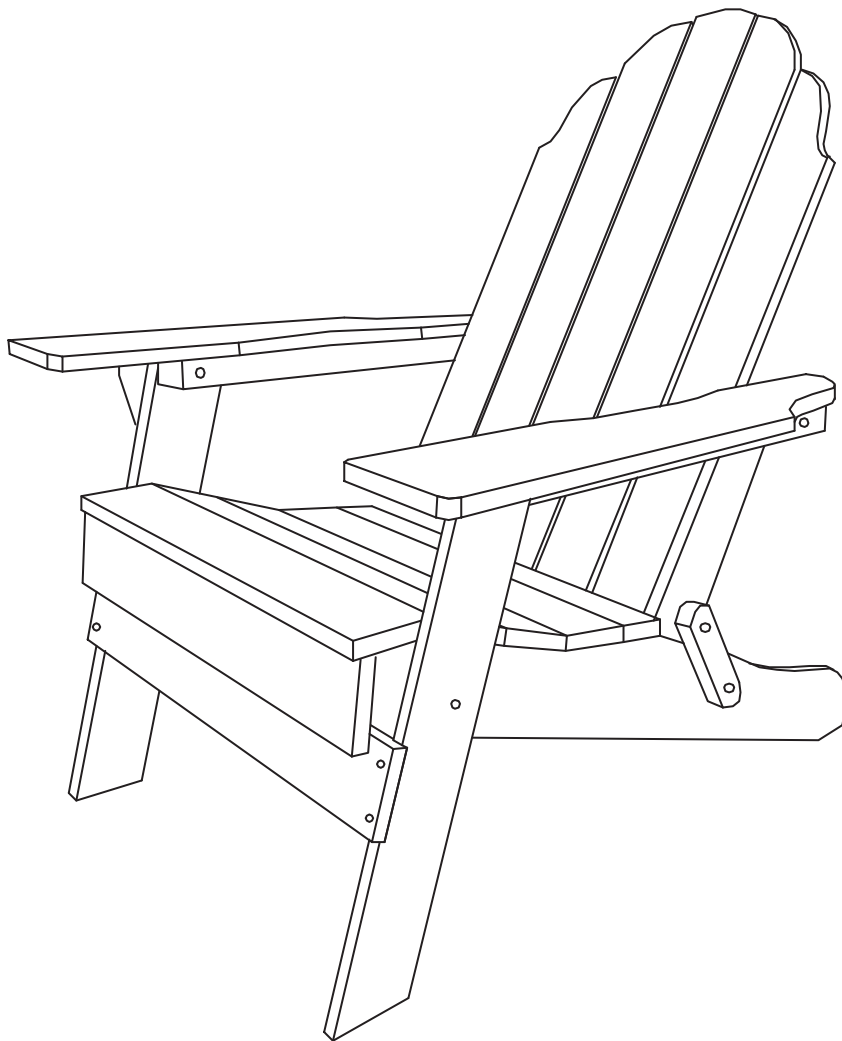
TROUBLESHOOTING GUIDE

It is recommended that you contact a qualified service technician if you believe the appliance is not functioning properly.

PROBLEM	CAUSE	REMEDY
Burner won't light	No Propane Gas at Burner	Check that gas tank valve is open. Turn control knob to "ON" and push control knob in. Make sure tank has propane gas.
	No Spark at Electrode	Check that AAA battery is installed with negative (-) end first and has a charge. Check that the wire is connected to the ignition module. Check that the electrode is not cracked or broken.
	Lack of oxygen	Remove excess lava rocks or fire ice from around the ignition well.
Burner won't stay lit after lighting	Thermocouple not in flame	Check that the tip of the thermocouple is even with the top of the ignition well. Remove any lava rocks from the ignition
	Thermocouple connection at the main control valve is loose	Tighten the thermocouple nut at the back of the valve.
	No lava rocks on Burner	Cover the burner with fire ices per the instructions

Assembly Instruction

HDPE FOLDING ADIRONDACK CHAIR



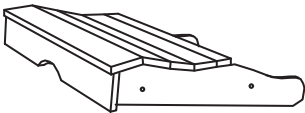
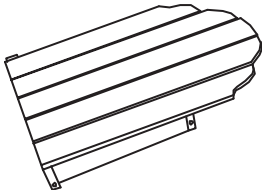


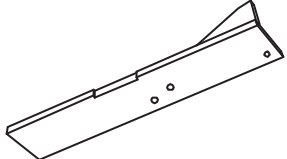
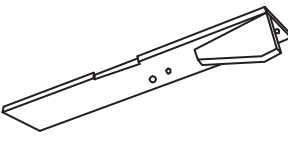
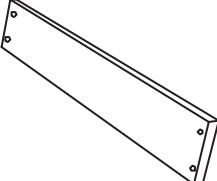
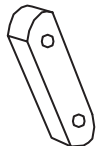
Carefully unpack and identify each component before beginning assembly. Before you begin, please refer to parts list to make sure that you have all parts. Please take care when assembling the unit and always place the parts on a clean, soft surface. If you require assistance with assembly or parts, please call 888-357-7263.

PRE-ASSEMBLY PREPARATION

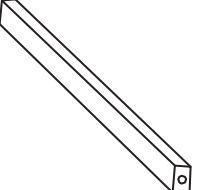
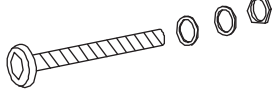
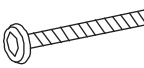
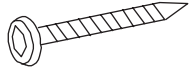
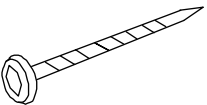
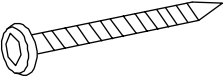
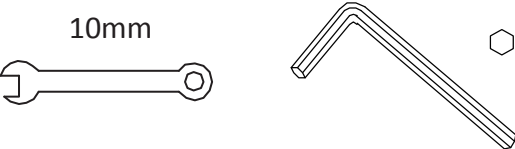
WARNING! DO NOT LET CHILDREN PLAY IN OR AROUND THE UNIT DUE TO THE POSSIBLE RISK OF FINGER ENTRAPMENT

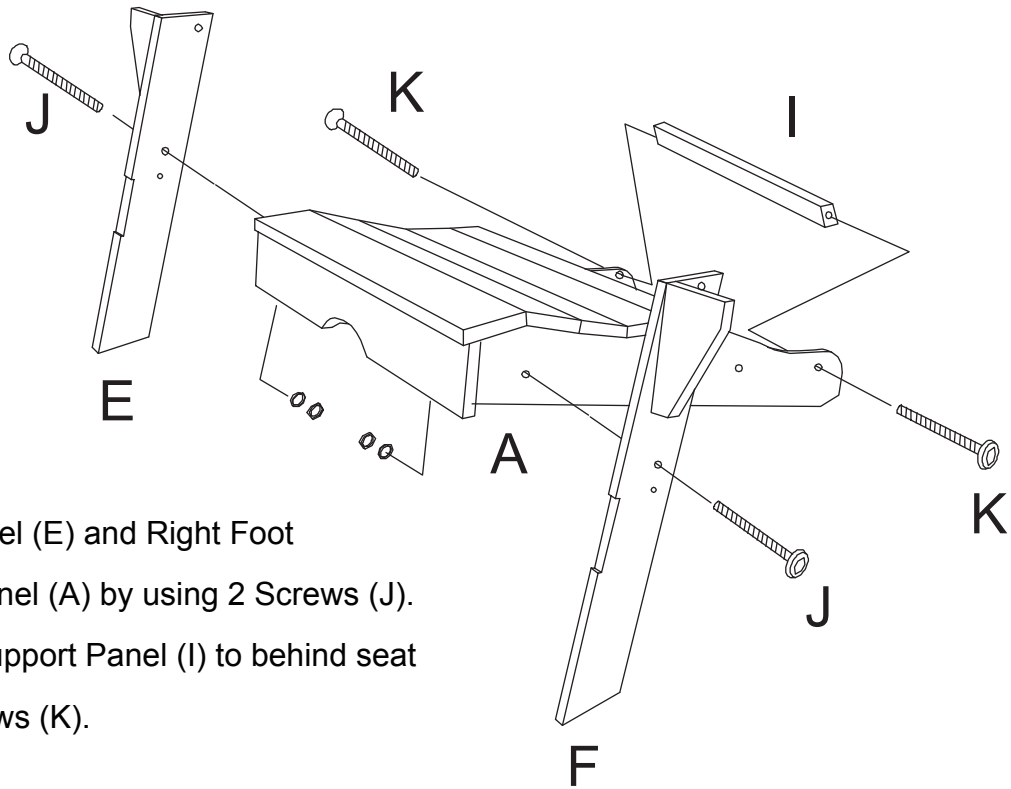
- Please read through this instruction before beginning assembly.
- Two adults assembly is recommended.
- Clear out the space for assembly and lay out all parts base on Parts List, extra room will allow you to easily determine if all the pieces are present.
- Save all packing materials until assembly is complete to avoid accidentally discarding smaller parts or hardware.
- Keep small parts and pieces away from children until fully assembly.
- **Do not fully tighten the bolts until all have been inserted and hand tightened.**
- Please check for any loose screws and tighten them before use.

PANEL AND FITTINGS IDENTIFICATION

<p>Seat Panel (A)</p>  <p>Qty: 1</p>	<p>Backrest Panel (B)</p>  <p>Qty: 1</p>	<p>Left Arm Panel (C)</p>  <p>Qty: 1</p>	<p>Right Arm Panel (D)</p>  <p>Qty: 1</p>
<p>Left Foot Panel (E)</p>  <p>Qty: 1</p>	<p>Right Foot Panel (F)</p>  <p>Qty: 1</p>	<p>Seat Panel (G)</p>  <p>Qty: 1</p>	<p>Connecting Rods (H)</p>  <p>Qty: 2</p>

HARDWARE LIST

<p>Back Support Panel (I)</p>  <p>Qty: 1</p>	<p>Screw (J)</p>  <p>M6 x 60mm Qty: 6</p>	<p>Screw (K)</p>  <p>M6 x 45mm Qty: 2</p>	<p>Screw (L)</p>  <p>M6 x 60mm Qty: 2</p>
<p>Screw (M)</p>  <p>M6 x 40mm Qty: 4</p>	<p>Screw (N)</p>  <p>M6 x 80mm Qty: 2</p>	<p>TOOLS & MATERIALS NEEDED</p>  <p>10mm</p>	



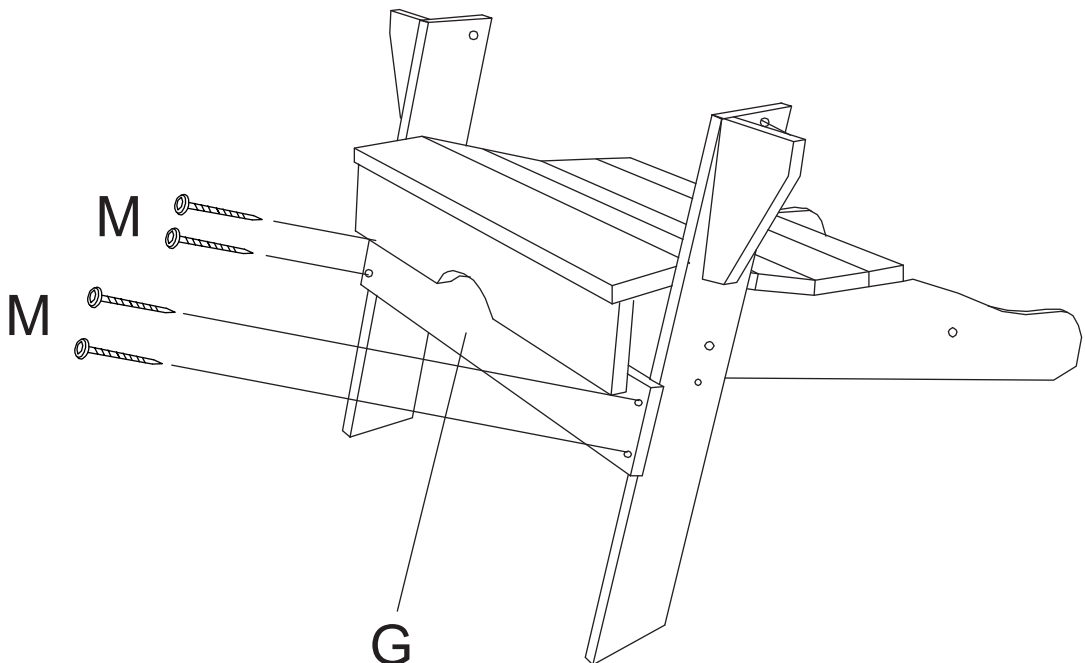
STEP 1

Attach Left Foot Panel (E) and Right Foot Panel (F) to Seat Panel (A) by using 2 Screws (J). Then attach Back Support Panel (I) to behind seat part by using 2 Screws (K).

Note: Do not tighten all screws until last step.

STEP 2

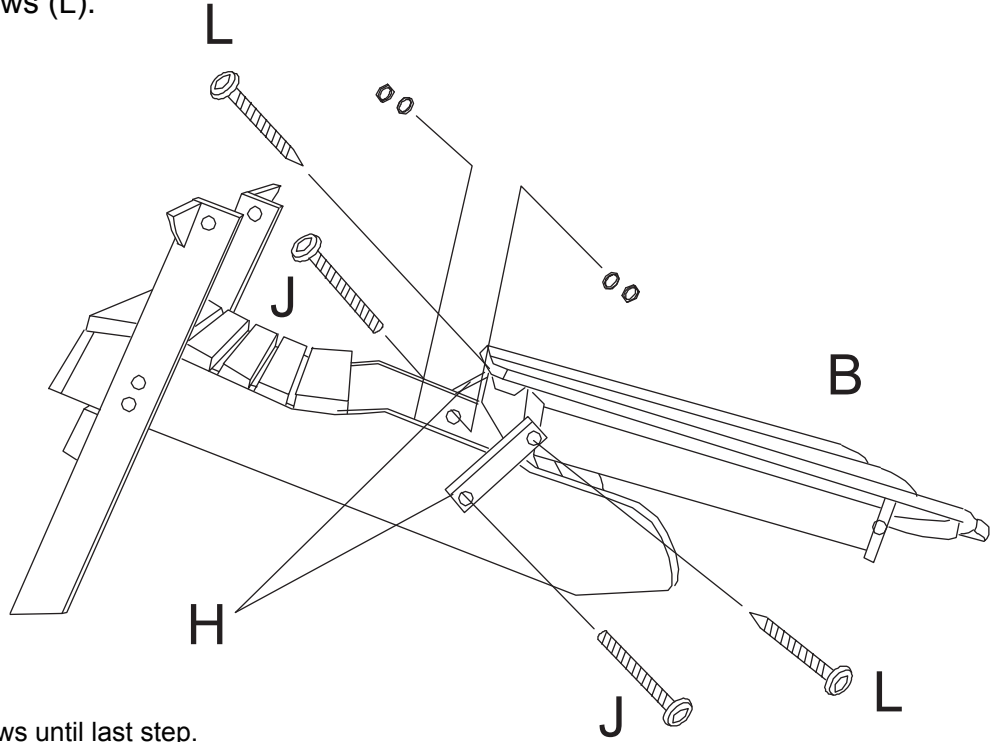
Attach Seat Panel (G) to two side foot panel by using 4 Screws (M).



Note: Do not tighten all screws until last step.

STEP 3

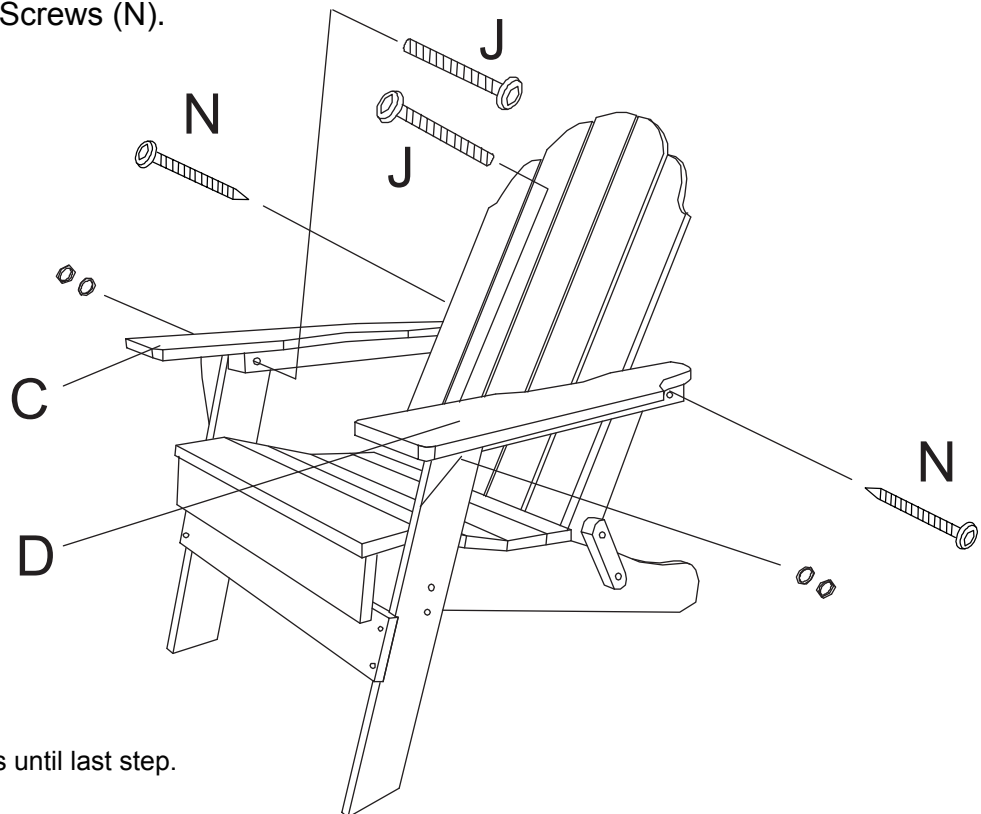
Attach Backrest Panel (B) to Seat Panel (A) by using 2 Connecting Rods (H) and 2 Screws (J) and 2 Screws (L).



Note: Do not tighten all screws until last step.

STEP 4

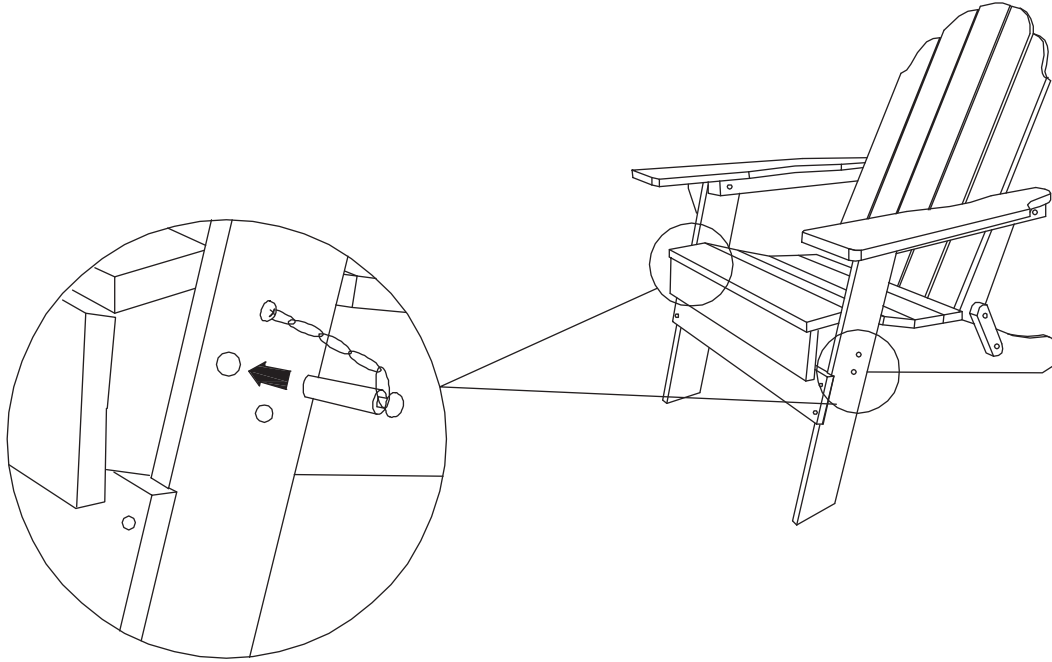
Attach Left Arm Panel (C) and Right Arm Panel (D) to both side foot panel and backrest panel by using 2 Screws (J) and 2 Screws (N).



Note: Do not tighten all screws until last step.

STEP 5

Insert two side bolts in place to keep chair from swinging.



Note: Please tighten the screws before use.

STEP 6

Pull out two side bolts to make it floded.

