

5" (127 mm) LOW PROFILE PALM GRIP SANDER

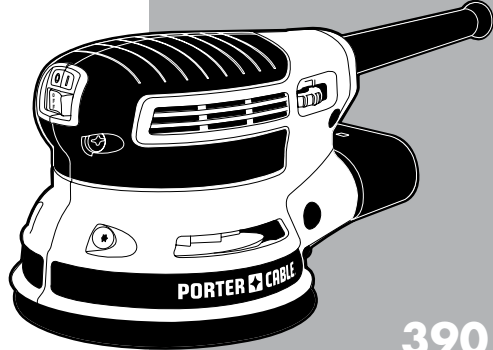
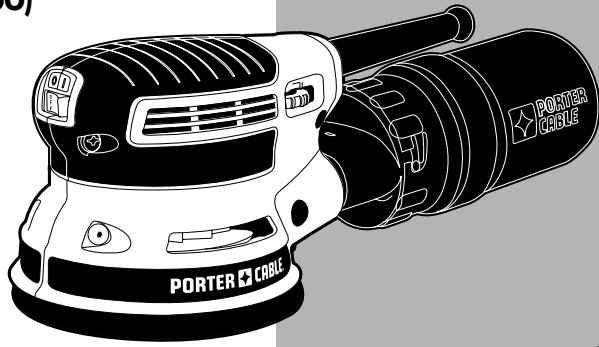
Lijadora de perfil bajo con
agarradera para la palma de
la mano de 127 mm (5 pulg)

Ponceuse compacte à
poignée ronde ergonomique
de 127 mm (5 po)

Instruction manual
Manuel d'instructions
Manual de instrucciones

www.deltaportercable.com

INSTRUCTIVO DE OPERACIÓN,
CENTROS DE SERVICIO Y PÓLIZA
DE GARANTÍA. **⚠ ADVERTENCIA:**
LÉASE ESTE INSTRUCTIVO ANTES
DE USAR EL PRODUCTO.



390
390K
392
394

Part No. A28835 - 10-10-08 Rev. A

Copyright © 2008 Porter-Cable

DEFINITIONS - SAFETY GUIDELINES

⚠ DANGER: indicates an imminently hazardous situation which, if not avoided, will result in death or serious injury.

⚠ WARNING: indicates a potentially hazardous situation which, if not avoided, could result in death or serious injury.

⚠ CAUTION: indicates a potentially hazardous situation which, if not avoided, may result in minor or moderate injury.

CAUTION: used without the safety alert symbol indicates potentially hazardous situation which, if not avoided, may result in property damage.

⚠ WARNING: To reduce the risk of injury, read the instruction manual.

GENERAL POWER TOOL SAFETY WARNINGS

⚠ WARNING: Read all safety warnings and instructions. Failure to follow the warnings and instructions may result in electric shock, fire and/or serious injury.

SAVE ALL WARNINGS AND INSTRUCTIONS FOR FUTURE REFERENCE

The term "power tool" in the warnings refers to your mains-operated (corded) power tool or battery-operated (cordless) power tool.

1) WORK AREA SAFETY

- Keep work area clean and well lit. Cluttered or dark areas invite accidents.
- Do not operate power tools in explosive atmospheres, such as in the presence of flammable liquids, gases or dust. Power tools create sparks which may ignite the dust or fumes.
- Keep children and bystanders away while operating a power tool. Distractions can cause you to lose control.

2) ELECTRICAL SAFETY

- Power tool plugs must match the outlet. Never modify the plug in any way. Do not use any adapter plugs with earthed (grounded) power tools. Unmodified plugs and matching outlets will reduce risk of electric shock.
- Avoid body contact with earthed or grounded surfaces such as pipes, radiators, ranges and refrigerators. There is an increased risk of electric shock if your body is earthed or grounded.
- Do not expose power tools to rain or wet conditions. Water entering a power tool will increase the risk of electric shock.
- Do not abuse the cord. Never use the cord for carrying, pulling or unplugging the power tool. Keep cord away from heat, oil, sharp edges or moving parts. Damaged or entangled cords increase the risk of electric shock.
- When operating a power tool outdoors, use an extension cord suitable for outdoor use. Use of a cord suitable for outdoor use reduces the risk of electric shock.
- If operating a power tool in a damp location is unavoidable, use a ground fault circuit interrupter (GFCI) protected supply. Use of a GFCI reduces the risk of electric shock.

3) PERSONAL SAFETY

- Stay alert, watch what you are doing and use common sense when operating a power tool. Do not use a power tool while you are tired or under the influence of drugs, alcohol or medication. A moment of inattention while operating power tools may result in serious personal injury.
- Use personal protective equipment. Always wear eye protection. Protective equipment such as dust mask, non-skid safety shoes, hard hat, or hearing protection used for appropriate conditions will reduce personal injuries.
- Prevent unintentional starting. Ensure the switch is in the off position before connecting to power source and/or battery pack, picking up or carrying the tool. Carrying power tools with your finger on the switch or energising power tools that have the switch on invites accidents.
- Remove any adjusting key or wrench before turning the power tool on. A wrench or a key left attached to a rotating part of the power tool may result in personal injury.
- Do not overreach. Keep proper footing and balance at all times. This enables better control of the power tool in unexpected situations.
- Dress properly. Do not wear loose clothing or jewellery. Keep your hair, clothing and gloves away from moving parts. Loose clothes, jewellery or long hair can be caught in moving parts.
- If devices are provided for the connection of dust extraction and collection facilities, ensure these are connected and properly used. Use of dust collection can reduce dust-related hazards.

4) POWER TOOL USE AND CARE

- Do not force the power tool. Use the correct power tool for your application. The correct power tool will do the job better and safer at the rate for which it was designed.
- Do not use the power tool if the switch does not turn it on and off. Any power tool that cannot be controlled with the switch is dangerous and must be repaired.
- Disconnect the plug from the power source and/or the battery pack from the power tool before making any adjustments, changing accessories, or storing power tools. Such preventive safety measures reduce the risk of starting the power tool accidentally.
- Store idle power tools out of the reach of children and do not allow persons unfamiliar with the power tool or these instructions to operate the power tool. Power tools are dangerous in the hands of untrained users.

e) Maintain power tools. Check for misalignment or binding of moving parts, breakage of parts and any other condition that may affect the power tool's operation. If damaged, have the power tool repaired before use. Many accidents are caused by poorly maintained power tools.

f) Keep cutting tools sharp and clean. Properly maintained cutting tools with sharp cutting edges are less likely to bind and are easier to control.

g) Use the power tool, accessories and tool bits etc., in accordance with these instructions taking into account the working conditions and the work to be performed. Use of the power tool for operations different from those intended could result in a hazardous situation.

5) SERVICE

a) Have your power tool serviced by a qualified repair person using only identical replacement parts. This will ensure that the safety of the power tool is maintained.

ADDITIONAL SPECIFIC SAFETY RULES

- Hold power tools by insulated gripping surfaces when performing an operation where the cutting tool may contact hidden wiring or its own cord. Contact with a "live" wire will make exposed metal parts of the tool "live" and shock the operator.
- Do not sand metal of any kind with your sander. Sparks may be generated by sanding screws, nails or other metals which may ignite dust particles.
- Do not wet sand with this sander. Liquids may enter the motor housing and cause electric shock.
- Empty dust collection system frequently, especially when sanding resin-coated surfaces such as polyurethane, varnish, shellac, etc. Dispose of coated dust particles according to the finish manufacturer's guidelines, or place in a metal can with a tight fitting metal lid. Remove coated dust particles from the premises daily. The accumulation of fine sanding dust particles may self ignite and cause fire.
- Do not operate this tool for long periods of time. Vibration caused by the operating action of this tool may cause permanent injury to fingers, hands, and arms. Use gloves to provide extra cushion, take frequent rest periods, and limit daily time of use.
- Sanding of lead-based paint, chemically pressure treated lumber or other materials that may contain carcinogens is not recommended. Sanding of these materials should only be performed by a professional.
- Clean out your tool often, especially after heavy use. Dust and grit containing metal particles often accumulate on interior surfaces and could create a risk of serious injury, electric shock or electrocution. Always disconnect the sander from the power source before cleaning. Always wear safety glasses that conform to ANSI Z87.1.
- Always disconnect tool from the power source before changing abrasive sheets. Such preventive safety measures reduce the risk of starting the power tool accidentally.

EXTENSION CORD

An extension cord must have adequate wire size (AWG or American Wire Gauge) for safety. The smaller the gauge number of the wire, the greater the capacity of the cable, that is 16 gauge has more capacity than 18 gauge. An undersized cord will cause a drop in line voltage resulting in loss of power and overheating. When using more than one extension to make up the total length, be sure each individual extension contains at least the minimum wire size. The following table shows the correct size to use depending on cord length and nameplate ampere rating. If in doubt, use the next heavier gauge. The smaller the gauge number, the heavier the cord.

| Ampere Rating | | Minimum Gauge for Cord Sets | | | | |
|---------------|---------------|-----------------------------|---------------------------------------|-----------------|------------|------------|
| | | Volts | Total Length of Cord in Feet (meters) | | | |
| More Than | Not More Than | 120V | 25 (7.6) | 50 (15.2) | 100 (30.5) | 150 (45.7) |
| | | 240V | 50 (15.2) | 100 (30.5) | 200 (61.0) | 300 (91.4) |
| | | AWG | | | | |
| 0 | 6 | 18 | 16 | 16 | 14 | |
| 6 | 10 | 18 | 16 | 14 | 12 | |
| 10 | 12 | 16 | 16 | 14 | 12 | |
| 12 | 16 | 14 | 12 | Not Recommended | | |

⚠ WARNING: Some dust created by power sanding, sawing, grinding, drilling, and other construction activities contains chemicals known to the State of California to cause cancer, birth defects or other reproductive harm. Some examples of these chemicals are:

- lead from lead-based paint.
- crystalline silica from bricks and cement and other masonry products.
- arsenic and chromium from chemically-treated lumber (CCA).

Your risk from exposure to these chemicals varies, depending on how often you do this type of work. To reduce your exposure to these chemicals: work in a well ventilated area with approved safety equipment, such as dust masks that are specially designed to filter out microscopic particles.

⚠ WARNING: Avoid prolonged contact with dust from power sanding, sawing, grinding, drilling, and other construction activities. Wear protective clothing and wash exposed areas with soap and water. Allowing dust to get into your mouth, eyes, or lay on the skin may promote absorption of harmful chemicals.

⚠ WARNING: Use of this tool can generate and/or disburse dust, which may cause serious and permanent respiratory damage or other injury. Always use NIOSH/OSHA/MSHA approved respiratory protection appropriate for the dust exposure. Direct particles away from face and body.

⚠ WARNING: ALWAYS wear proper personal hearing protection that conforms to ANSI S12.6 (S3.19) during use. Under some conditions and duration of use, noise from this product may contribute to hearing loss.

⚠ WARNING: ALWAYS USE SAFETY GLASSES. (ANSI Z87.1) and (CAN/CSA Z94.3) Everyday eye-glasses are NOT safety glasses. Also use face or dust mask if cutting operation is dusty. ALWAYS WEAR CERTIFIED SAFETY EQUIPMENT:

- ANSI Z87.1 eye protection (CAN/CSA Z94.3)
- ANSI S12.6 (S3.19) hearing protection
- NIOSH/OSHA/MSHA respiratory protection

SYMBOLS

The label on your tool may include the following symbols. The symbols and their definitions are as follows:

| | |
|------------------------------|---------------------------------------|
| V..... volts | A..... amperes |
| Hz hertz | W..... watts |
| min..... minutes | ~ alternating current |
| — — — direct current | ⌚ alternating or direct current |
| ⚠..... Class I Construction | ⊖..... no load speed |
| (grounded) | ⊕..... earthing terminal |
| ⊠..... Class II Construction | ⚠..... safety alert symbol |
| (double insulated) | BPM beats per minute |
| .../min per minute | RPM revolutions per minute |
| OPM orbits per minute | |

ADDITIONAL SAFETY RULES FOR PAINT REMOVAL

- Sanding of lead based paint is NOT RECOMMENDED due to the difficulty of controlling the contaminated dust. The greatest danger of lead poisoning is to children and pregnant women.
- Since it is difficult to identify whether or not a paint contains lead without a chemical analysis, we recommend the following precautions when sanding any paint:

PERSONAL SAFETY

- No children or pregnant women should enter the work area where the paint sanding is being done until all clean up is completed.
- A dust mask or respirator should be worn by all persons entering the work area. The filter should be replaced daily or whenever the wearer has difficulty breathing. See your local hardware store for the proper NIOSH approved dust mask.
- NO EATING, DRINKING or SMOKING should be done in the work area to prevent ingesting contaminated paint particles. Workers should wash and clean up BEFORE eating, drinking or smoking. Articles of food, drink, or smoking should not be left in the work area where dust would settle on them.

ENVIRONMENTAL SAFETY

- Paint should be removed in such a manner as to minimize the amount of dust generated.
- Areas where paint removal is occurring should be sealed with plastic sheeting of 4 mil thickness.
- Sanding should be done in a manner to reduce tracking of paint dust outside the work area.

CLEANING AND DISPOSAL

- All surfaces in the work area should be vacuumed and thoroughly cleaned daily for the duration of the sanding project. Vacuum filter bags should be changed frequently.
- Plastic drop cloths should be gathered up and disposed of along with any dust chips or other removal debris. They should be placed in sealed refuse receptacles and disposed of through regular trash pick-up procedures. During clean up, children and pregnant women should be kept away from the immediate work area.
- All toys, washable furniture and utensils used by children should be washed thoroughly before being used again.

SAVE THESE INSTRUCTIONS

MOTOR

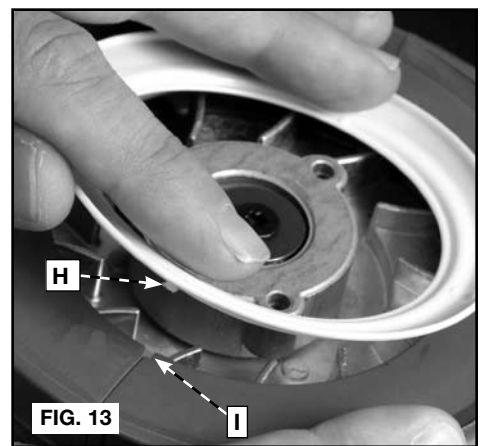
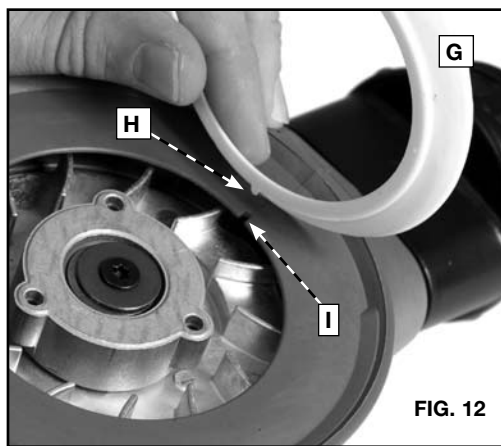
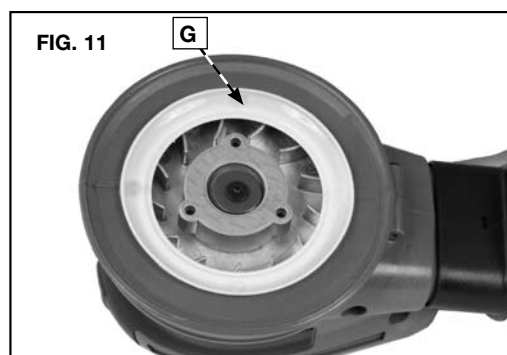
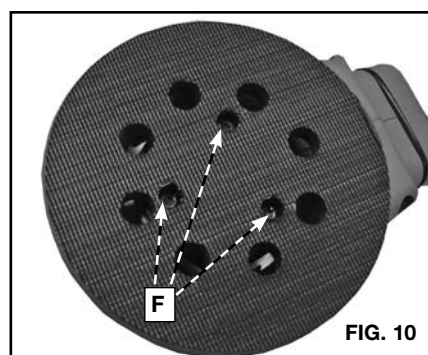
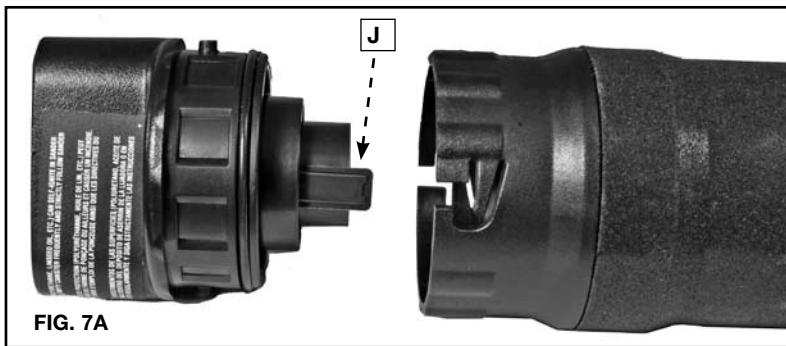
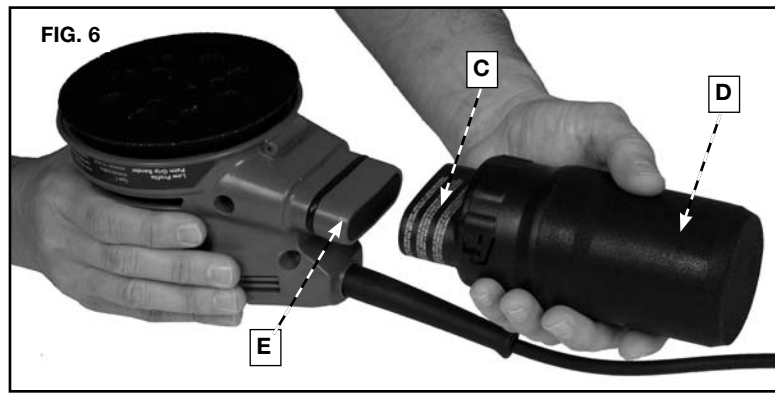
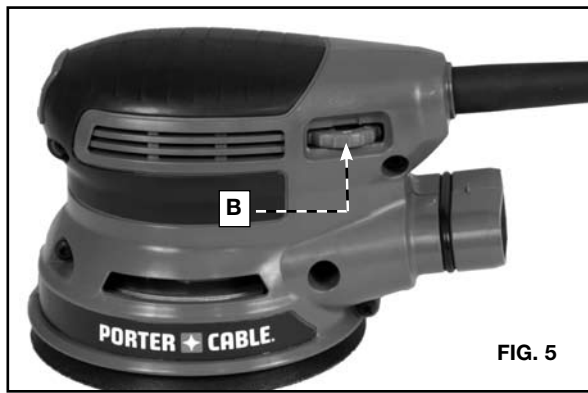
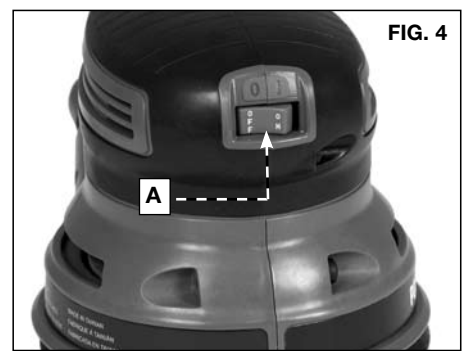
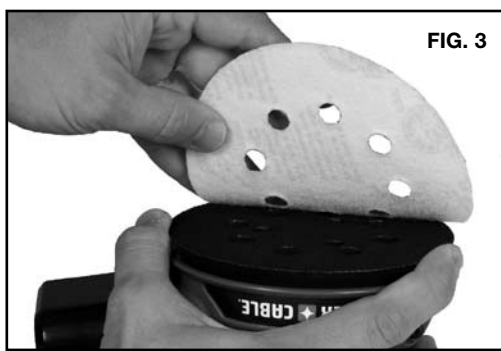
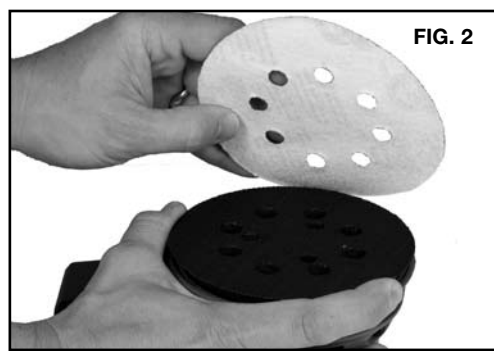
Be sure your power supply agrees with the voltage marked on the nameplate. 120 Volts AC 60Hz means alternating current only. Voltage decrease of more than 10% will cause loss of power and overheating. All Porter Cable tools are factory-tested. If this tool does not operate, check the power supply line for blown fuses and the plug and receptacle for proper contact.

⚠ WARNING: Accessories must be rated for at least the speed recommended on the tool warning label. Accessories running over rated speed can fly apart and cause injury. Accessory ratings must always be above tool speed as shown on tool nameplate.

OPERATION

⚠ WARNING: To reduce the risk of injury, turn unit off and disconnect it from power source before installing and removing accessories, before adjusting or when making repairs. An accidental start-up can cause injury.

⚠ WARNING: Never modify any parts of the power tool. Damage or personal injury could result.



ATTACHING ABRASIVE PAPER

Model 390: Use 5" (127 mm) sanding discs with an 8-hole dust extraction pattern which attach to the sander with hook and loop.

Model 392: Use 5" (127 mm) no-hole sanding discs which attach to the sander with pressure sensitive adhesive. (Dust collection not possible with this model.)

Model 394: Use 5" (127 mm) sanding discs with an 8-hole dust extraction pattern which attach to the sander with pressure sensitive adhesive.

WARNING: Turn off and unplug the tool before making any adjustments or removing or installing attachments or accessories. Be sure the switch is in the "OFF" position.

1. Turn the sander over so that the sanding pad is facing upward (Fig. 1).
2. Clean the dust from the vinyl pad face.
3. Hold the pad with one hand to keep it from rotating (Fig. 2).
4. With the other hand, align the holes and place the disc directly on top of the pad (Fig. 3).

NOTE: Do not use the sanding screen (the screen used for sanding drywall) directly on the hook and loop pad. The screen will not hold and will damage the hooks on the pad. The hooks will wear very rapidly if left in contact with the work surface while the tool is operating.

SWITCH

WARNING: To reduce the risk of injury, make sure the sander is not resting on the workpiece when the switch is turned on.

To turn unit on, depress the side of the dust-protected switch (A) Fig. 4 that reads "ON" and corresponds to the symbol "I." To turn the unit off, depress the side of the switch that reads "OFF" and corresponds to the symbol "O."

SPEED CONTROL DIAL

The speed control dial (B) Fig. 5 allows you to increase or decrease the speed from 7,000-12,000 orbits per minute. The optimal speed setting for each application is very much dependent on personal preference. Generally, you will want to use a higher setting on harder materials and a lower setting on softer materials. Material removal rate increases as speed increases.

PAD BRAKE

These sanders are equipped with a pad brake that prevents over-speeding of the pad. If the tool is lifted off the work surface while the motor is running, the brake will limit pad rotation to no more than 500 RPM.

The plastic pad brake is used to provide the braking action. Eventually, this brake may require replacement. If the brake fails to limit pad rotation, send the sander to a Porter-Cable service facility or replace the brake yourself using the information under **Brake Replacement** in the *Maintenance* section of this manual.

DUST COLLECTION

WARNING: To reduce the risk of injury, turn unit off and disconnect it from power source before installing and removing accessories, before adjusting or when making repairs. An accidental start-up can cause injury.

WARNING: To reduce the risk of serious personal injury, NEVER operate this tool with perforated paper unless the dust collection system is in place.

WARNING: Empty dust collection system frequently, especially when sanding resin-coated surfaces such as polyurethane, varnish, shellac, etc. Dispose of coated dust particles according to the finish manufacturer's guidelines, or place in a metal can with a tight fitting metal lid. Remove coated dust particles from the premises daily. The accumulation of fine sanding dust particles may self ignite and cause fire.

To use the dust collection system, install the dust container assembly (C and D) Fig. 6 on the dust port (E) as far as it will go. To empty the dust container, remove it and empty it into a trash receptacle.

NOTE: Dust collection is not possible with the 392 Model sander because its dust port (E) Fig. 8 is covered and there are no holes in the backing pad.

NOTE: To use your shop vacuum with the dust collection system, remove the dust container (D) Fig. 6 by twisting it and pulling it away from the adapter. Remove the black tag (J) Fig. 7A, and attach your vacuum hose directly to the adapter port (C) (Fig. 7).

USING THE SANDER

To operate your sander, grasp it as shown in Fig. 9 and turn it on. Move it in long, sweeping strokes along the surface, letting it do the work. Be sure to check your work often. This sander is capable of removing material rapidly, especially with coarse paper.

The random orbital action of your sander allows you to sand with the grain or at any angle across it for most sanding jobs. To produce the best finish possible, start with coarse grit sandpaper and change gradually to finer and finer paper. Vacuum and wipe the surface with a tack cloth between grit steps. Your sander is designed to sand into small or confined areas. Its small size and light weight make it ideal for overhead work.

The rate at which the dust container fills will vary with your workpiece and the coarseness of the sandpaper. For best results, empty the container frequently. When sanding painted surfaces (see *Additional Safety Rules for Paint Removal*), you may find that the sandpaper clogs with paint. A heat gun will work much better to remove paint before sanding. **FOLLOW ALL THE SAFETY INSTRUCTIONS IN THE HEAT GUN INSTRUCTION MANUAL.**

TROUBLESHOOTING

For assistance with your tool, visit our website at www.deltaportercable.com for a list of service centers, or call the Porter-Cable Customer Care Center at (888) 848-5175.

MAINTENANCE

WARNING: To reduce the risk of injury, turn unit off and disconnect it from power source before installing and removing accessories, before adjusting or when making repairs. An accidental start-up can cause injury.

WARNING: ALWAYS USE SAFETY GLASSES. Everyday eyeglasses are NOT safety glasses. Also use face or dust mask if cutting operation is dusty. ALWAYS wear certified safety equipment:

- ANSI Z87.1 eye protection (CAN/CSA Z94.3)
- ANSI S12.6 (S3.19) hearing protection
- NIOSH/OSHA/MSHA respiratory protection.

REPAIRS

For assistance with your tool, visit our website at www.deltaportercable.com for a list of service centers, or call the Porter-Cable Customer Care Center at (888) 848-5175.

CHANGING BACK-UP PAD

1. **CAUTION:** DISCONNECT TOOL FROM POWER SOURCE.
2. Grasp pad with hand and use a Torx T20 driver to remove three pad retaining screws (F), Fig. 10.
3. Lift pad from sander.
4. Reverse procedure to install new pad. Tighten pad retaining screws to 22 to 26 in.-lbs.

BRAKE REPLACEMENT

1. **CAUTION:** DISCONNECT TOOL FROM POWER SOURCE.
2. Remove back-up pad (see **Changing Back-Up Pad**).
3. Remove old brake (G) Fig. 11.
4. Insert new brake by lining up two keyed areas (H) Figs. 12 and 13 in brake (G) with slots (I) in the sander housing. Hold these keyed areas down with your thumbs (Fig. 14) and then work the pad's edges around the lip of the sander housing. Attached brake should look like Fig. 11.
5. Reassemble back-up pad (see **Changing Back-Up Pad**).

CLEANING

WARNING: Periodically blowing dust and chips out of the motor housing using clean, dry compressed air is a suggested maintenance procedure. To reduce the risk of serious personal injury, ALWAYS wear ANSI Z87.1 safety glasses while using compressed air.

WARNING: When cleaning, use only mild soap and a damp cloth on plastic parts. Many household cleaners contain chemicals which could seriously damage plastic. Also, do not use gasoline, turpentine, lacquer, paint thinner, dry cleaning fluids or similar products which may seriously damage plastic parts. NEVER let any liquid get inside the tool; NEVER immerse any part of the tool into a liquid.

FAILURE TO START

Should your tool fail to start, check to make sure the prongs on the cord plug are making good contact in the outlet. Also, check for blown fuses or open circuit breakers in the line.

USE WITH GENERATORS: In rare cases the idle mode of a generator might not start the sander. If this occurs, turn off the sander and turn off idle mode of the generator. Then try starting the sander again.

LUBRICATION

This tool has been lubricated with a sufficient amount of high grade lubricant for the life of the unit under normal operating conditions. No further lubrication is necessary.

SERVICE

REPLACEMENT PARTS

Use only identical replacement parts. For a parts list or to order parts, visit our service website at www.deltaportercableservicenet.com. You can also order parts from your nearest Porter-Cable Factory Service Center or Porter-Cable Authorized Warranty Service Center. Or, you can call our Customer Care Center at (888) 848-5175.

SERVICE AND REPAIRS

All quality tools will eventually require servicing and/or replacement of parts. For information about Porter-Cable, its factory service centers or authorized warranty service centers, visit our website at www.deltaportercable.com or call our Customer Care Center at (888) 848-5175. All repairs made by our service centers are fully guaranteed against defective material and workmanship. We cannot guarantee repairs made or attempted by others.

You can also write to us for information at PORTER-CABLE, 4825 Highway 45 North, Jackson, Tennessee 38305 - Attention: Product Service. Be sure to include all of the information shown on the nameplate of your tool (model number, type, serial number, etc.).

ACCESSORIES

WARNING: Since accessories, other than those offered by Porter-Cable, have not been tested with this product, use of such accessories with this tool could be hazardous. To reduce the risk of injury, only Porter-Cable recommended accessories should be used with this product.

A complete line of accessories is available from your Porter-Cable Factory Service Center or a Porter-Cable Authorized Warranty Service Center. Please visit our Web Site www.deltaportercable.com for a catalog or for the name of your nearest supplier.

THREE YEAR LIMITED WARRANTY

PORTER-CABLE will repair, without charge, any defects due to faulty materials or workmanship for three years from the date of purchase. This warranty does not cover part failure due to normal wear or abuse. For further detail of warranty coverage and warranty repair information, visit www.deltaportercable.com or call (888) 848-5175. This warranty does not apply to accessories or damage caused where repairs have been made or attempted by others. This warranty gives you specific legal rights and you may have other rights which vary in certain states or provinces.

In addition to the warranty, PORTER-CABLE tools are covered by our:

1 YEAR FREE SERVICE: PORTER-CABLE will maintain the tool and replace worn parts caused by normal use, for free, any time during the first year after purchase.

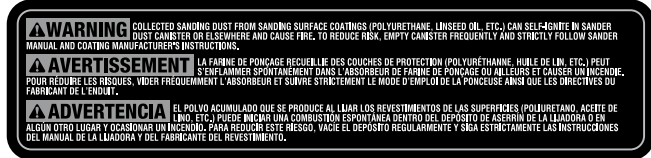
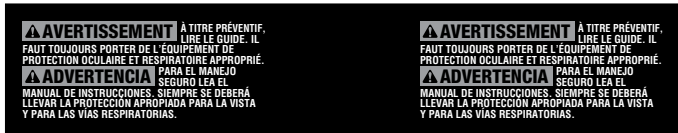
90 DAY MONEY BACK GUARANTEE: If you are not completely satisfied with the performance of your PORTER-CABLE Power Tool, Laser, or Nailer for any reason, you can return it within 90 days from the date of purchase with a receipt for a full refund – no questions asked.

LATIN AMERICA: This warranty does not apply to products sold in Latin America. For products sold in Latin America, see country specific warranty information contained in the packaging, call the local company or see website for warranty information.

To register your tool for warranty service visit our website at www.deltaportercable.com.

WARNING LABEL REPLACEMENT

If your warning labels become illegible or are missing, call (888) 848-5175 for a free replacement.



MESURES DE SÉCURITÉ - DÉFINITIONS

▲ DANGER : Indique une situation dangereuse imminente qui, si elle n'est pas évitée, causera la mort ou des blessures graves.

▲ AVERTISSEMENT : Indique une situation potentiellement dangereuse qui, si elle n'est pas évitée, pourrait se solder par un décès ou des blessures graves.

▲ ATTENTION : Indique une situation potentiellement dangereuse qui, si elle n'est pas évitée pourrait se solder par des blessures mineures ou modérées.

ATTENTION : Utilisé sans le symbole d'alerte à la sécurité, indique une situation potentiellement dangereuse qui, si elle n'est pas évitée pourrait se solder par des dommages à la propriété.

▲ AVERTISSEMENT : Afin de réduire le risque de blessures, lire le mode d'emploi de l'outil.

AVERTISSEMENTS DE SÉCURITÉ GÉNÉRAUX POUR LES OUTILS ÉLECTRIQUES

▲ AVERTISSEMENT : Lire tous les avertissements de sécurité et les directives. Le non-respect des avertissements et des directives pourrait se solder par un choc électrique, un incendie et/ou une blessure grave.

CONSERVER TOUS LES AVERTISSEMENTS ET TOUTES LES DIRECTIVES POUR UN USAGE ULTÉRIEUR

Le terme « outil électrique » cité dans les avertissements se rapporte à votre outil électrique à alimentation sur secteur (avec fil) ou par piles (sans fil).

1) SÉCURITÉ DU LIEU DE TRAVAIL

- Tenir l'aire de travail propre et bien éclairée. Les lieux encombrés ou sombres sont propices aux accidents.
- Ne pas faire fonctionner d'outils électriques dans un milieu déflagrant, tel qu'en présence de liquides, de gaz ou de poussières inflammables. Les outils électriques produisent des étincelles qui pourraient enflammer la poussière ou les vapeurs.
- Éloigner les enfants et les personnes à proximité pendant l'utilisation d'un outil électrique. Une distraction pourrait en faire perdre la maîtrise à l'utilisateur.

2) SÉCURITÉ EN MATIÈRE D'ÉLECTRICITÉ

- Les fiches des outils électriques doivent correspondre à la prise. Ne jamais modifier la fiche d'aucune façon. Ne jamais utiliser de fiche d'adaptation avec un outil électrique mis à la terre. Le risque de choc électrique sera réduit par l'utilisation de fiches non modifiées correspondant à la prise.
- Éviter tout contact physique avec des surfaces mises à la terre comme des tuyaux, des radiateurs, des cuisinières et des réfrigérateurs. Le risque de choc électrique est plus élevé si votre corps est mis à la terre.
- Ne pas exposer les outils électriques à la pluie ou à l'humidité. La pénétration de l'eau dans un outil électrique augmente le risque de choc électrique.
- Ne pas utiliser le cordon de façon abusive. Ne jamais utiliser le cordon pour transporter, tirer ou débrancher un outil électrique. Tenir le cordon éloigné de la chaleur, de l'huile, des bords tranchants et des pièces mobiles. Les cordons endommagés ou enchevêtrés augmentent les risques de choc électrique.
- Pour l'utilisation d'un outil électrique à l'extérieur, se servir d'une rallonge convenant à cette application. L'utilisation d'une rallonge conçue pour l'extérieur réduira les risques de choc électrique.
- S'il est impossible d'éviter l'utilisation d'un outil électrique dans un endroit humide, brancher l'outil dans une prise ou sur un circuit d'alimentation dotés d'un disjoncteur de fuite à la terre (GFCI). L'utilisation de ce type de disjoncteur réduit les risques de choc électrique.

3) SÉCURITÉ PERSONNELLE

- Être vigilant, surveiller le travail effectué et faire preuve de jugement lorsqu'un outil électrique est utilisé. Ne pas utiliser d'outil électrique en cas de fatigue ou sous l'influence de drogues, d'alcool ou de médicaments. Un simple moment d'inattention en utilisant un outil électrique peut entraîner des blessures corporelles graves.
- Utiliser des équipements de protection individuelle. Toujours porter une protection oculaire. L'utilisation d'équipements de protection comme un masque antipoussière, des chaussures antidérapantes, un casque de sécurité ou des protecteurs auditifs lorsque la situation le requiert réduira les risques de blessures corporelles.
- Empêcher les démarrages intempestifs. S'assurer que l'interrupteur se trouve à la position d'arrêt avant de relier l'outil à une source d'alimentation et/ou d'insérer un bloc-piles, de ramasser ou de transporter l'outil. Transporter un outil électrique alors que le doigt repose sur l'interrupteur ou brancher un outil électrique dont l'interrupteur est à la position de marche risque de provoquer un accident.
- Retirer toute clé de réglage ou clé avant de démarrer l'outil. Une clé ou une clé de réglage attachée à une partie pivotante de l'outil électrique peut provoquer des blessures corporelles.
- Ne pas trop tendre les bras. Conserver son équilibre en tout temps. Cela permet de mieux maîtriser l'outil électrique dans les situations imprévues.
- S'habiller de manière appropriée. Ne pas porter de vêtements amples ni de bijoux. Garder les cheveux, les vêtements et les gants à l'écart des pièces mobiles. Les vêtements amples, les bijoux ou les cheveux longs risquent de rester coincés dans les pièces mobiles.
- Si des composants sont fournis pour le raccordement de dispositifs de débourrage et de ramassage, s'assurer que ceux-ci sont bien raccordés et utilisés. L'utilisation d'un dispositif de débourrage peut réduire les dangers engendrés par les poussières.

4) UTILISATION ET ENTRETIEN D'UN OUTIL ÉLECTRIQUE

- Ne pas forcer un outil électrique. Utiliser l'outil électrique approprié à l'application. L'outil électrique approprié effectuera un meilleur travail, de façon plus sûre et à la vitesse pour laquelle il a été conçu.
- Ne pas utiliser un outil électrique dont l'interrupteur est défectueux. Tout outil électrique dont l'interrupteur est défectueux est dangereux et doit être réparé.
- Débrancher la fiche de la source d'alimentation et/ou du bloc-piles de l'outil électrique avant de faire tout réglage ou changement d'accessoire ou avant de ranger l'outil. Ces mesures préventives réduisent les risques de démarrage accidentel de l'outil électrique.
- Ranger les outils électriques hors de la portée des enfants et ne permettre à aucune personne n'étant pas familière avec un outil électrique ou son mode d'emploi d'utiliser cet outil. Les outils électriques deviennent dangereux entre les mains d'utilisateurs inexpérimentés.
- Entretien des outils électriques. Vérifier si les pièces mobiles sont mal alignées ou coincées, si des pièces sont brisées ou présentent toute autre condition susceptible de nuire au bon fonctionnement de l'outil électrique. En cas de dommage, faire réparer l'outil électrique avant toute nouvelle utilisation. Beaucoup d'accidents sont causés par des outils électriques mal entretenus.
- S'assurer que les outils de coupe sont aiguisés et propres. Les outils de coupe bien entretenus et affûtés sont moins susceptibles de se coincer et sont plus faciles à maîtriser.
- Utiliser l'outil électrique, les accessoires, les forets, etc. conformément aux présentes directives en tenant compte des conditions de travail et du travail à effectuer. L'utilisation d'un outil électrique pour toute opération autre que celle pour laquelle il a été conçu est dangereuse.

5) RÉPARATION

- Faire réparer l'outil électrique par un réparateur professionnel en n'utilisant que des pièces de rechange identiques. Cela permettra de maintenir une utilisation sécuritaire de l'outil électrique.

RÈGLES DE SÉCURITÉ SPÉCIFIQUE

- Tenir l'outil par sa surface de prise isolée dans une situation où l'outil de coupe peut entrer en contact avec un câble caché ou avec son propre cordon d'alimentation. Tout contact avec un fil « sous tension » mettra « sous tension » les pièces métalliques exposées de l'outil et provoquera un choc électrique chez l'opérateur de l'outil.
- Ne pas poncer de surfaces métalliques de tout type avec la ponceuse. Le ponçage de vis, clous ou autres pièces métalliques produit des étincelles qui pourraient enflammer des particules de poussière.
- Ne pas poncer à l'eau avec la présente ponceuse. Du liquide risque de pénétrer le boîtier du moteur et ainsi provoquer un choc électrique.
- Vider souvent le débourreur, particulièrement lors du ponçage de surfaces enduites de matières à base de résine comme du polyuréthane, du vernis, du vernis à la gomme laque, etc. Éliminer les particules de poussière enduites de produit selon les recommandations du fabricant du fini ou les amasser dans une boîte de métal avec un couvercle bien ajusté. Les retirer des lieux quotidiennement. L'accumulation de particules fines de poussière risque de s'enflammer spontanément et provoquer un incendie.
- Ne pas faire fonctionner cet outil durant de longues périodes. Les vibrations causées par le fonctionnement de cet outil peuvent provoquer des blessures permanentes aux doigts, aux mains et aux bras. Utiliser des gants pour amortir davantage les vibrations, prendre de fréquentes périodes de repos et limiter la durée quotidienne d'utilisation.
- Le ponçage de peinture à base de plomb, de bois traité chimiquement (sous pression) ou tout autre matériau contenant des éléments cancérigènes n'est pas recommandé. Le ponçage de ces matériaux ne doit être réalisé que par un professionnel.
- Nettoyer l'outil régulièrement, particulièrement après une utilisation intensive. La poussière et les saletés contenant des particules métalliques s'accumulent souvent sur les surfaces internes de l'outil et pourraient constituer un risque de blessure grave, de choc électrique ou d'électrocution. TOUJOURS débrancher la ponceuse avant de procéder au nettoyage. TOUJOURS PORTER DES LUNETTES DE SÉCURITÉ en conformité avec la norme ANSI Z87.1.
- TOUJOURS débrancher l'outil avant de changer de feuilles abrasives. Ces mesures préventives réduisent les risques de démarrage accidentel de l'outil électrique.

RALLONGE

Pour la sécurité de l'utilisateur, utiliser une rallonge de calibre adéquat (AWG, American Wire Gauge [calibrage américain normalisé des fils]). Plus le numéro de calibre de fil est petit et plus sa capacité est grande, par exemple un calibre 16 a plus de capacité qu'un calibre 18. L'usage d'une rallonge de calibre insuffisant causera une chute de tension entraînant perte de puissance et surchauffe. Si plus d'une rallonge est utilisée pour obtenir la longueur totale, s'assurer que chaque rallonge présente au moins le calibre de fil minimum. Le tableau ci-dessous illustre les calibres à utiliser selon la longueur de rallonge et l'intensité nominale indiquée sur la plaque signalétique. En cas de doutes, utiliser le calibre suivant. Plus le calibre est petit, plus la rallonge peut supporter de courant.

| | | Calibre minimum pour rallonge | | | | |
|--------------------|-------------|-------------------------------|--|----------------|------------|------------|
| Intensité nominale | | Volts | Longueur totale du cordon en mètres (en pieds) | | | |
| | | 120V | 7,6 (25) | 15,2 (50) | 30,5 (100) | 45,7 (150) |
| | | 240V | 15,2 (50) | 30,5 (100) | 61,0 (200) | 91,4 (300) |
| Plus de | Pas plus de | AWG | | | | |
| 0 | 6 | 5,5 (18) | 4,9 (16) | 4,9 (16) | 4,3 (14) | |
| 6 | 10 | 5,5 (18) | 4,9 (16) | 4,3 (14) | 3,7 (12) | |
| 10 | 12 | 4,9 (16) | 4,9 (16) | 4,3 (14) | 3,7 (12) | |
| 12 | 16 | 4,3 (14) | 3,7 (12) | Non recommandé | | |

▲ AVERTISSEMENT : Certaines poussières produites par les travaux de ponçage, de sciage, de meulage, de perçage et par toute autre activité de construction contiennent des produits chimiques reconnus par l'État de la Californie comme pouvant causer le cancer, des anomalies congénitales ou d'autres problèmes liés aux fonctions reproductrices. Voici quelques exemples de ces produits chimiques :

- le plomb des peintures à base de plomb,
- la silice cristalline provenant des briques, du ciment et d'autres produits de maçonnerie ainsi que, et
- l'arsenic et le chrome issus du bois traité chimiquement.

Les risques reliés à l'exposition à ces produits chimiques varient selon la fréquence à laquelle l'utilisateur effectue ce type de travail. Pour réduire l'exposition à ces produits chimiques : travailler dans un endroit bien ventilé et porter un équipement de sécurité approuvé, notamment un masque antipoussières conçu spécialement pour filtrer les particules microscopiques.

▲ AVERTISSEMENT : Éviter tout contact prolongé avec la poussière soulevée par cet outil ou autres outils électriques. Porter des vêtements de protection et nettoyer les parties exposées du corps avec de l'eau savonneuse. S'assurer de bien se protéger afin d'éviter d'absorber par la bouche, les yeux ou la peau des produits chimiques nocifs.

▲ AVERTISSEMENT : Cet outil peut produire et répandre de la poussière susceptible de causer des dommages sérieux et permanents au système respiratoire. Toujours utiliser un appareil respiratoire antipoussières approuvé par le NIOSH ou l'OSHA. Diriger les particules dans le sens opposé du visage et du corps.

▲ AVERTISSEMENT : TOUJOURS porter une protection auditive appropriée conformément à la norme ANSI S12.6 (S3.19) lors de l'utilisation du produit. Dans certaines conditions et selon la durée d'utilisation, le bruit émis par ce produit peut contribuer à une perte auditive.

▲ AVERTISSEMENT : TOUJOURS PORTER DES LUNETTES DE SÉCURITÉ. (ANSI Z87.1) and (CAN/CSA Z94.3) Les lunettes de vue ne constituent PAS des lunettes de sécurité. Utiliser également un masque facial ou anti-poussière si l'opération de découpe génère de la poussière. TOUJOURS PORTER UN ÉQUIPEMENT DE PROTECTION HOMOLOGUÉ :

- protection oculaire ANSI Z87.1 (CAN/CSA Z94.3),
- protection auditive ANSI S12.6 (S3.19) et
- protection des voies respiratoires NIOSH/OSHA.

SYMBOLES

L'étiquette apposée sur votre outil peut comprendre les symboles suivants. Les symboles et leurs définitions sont indiqués ci-après :

| | |
|---|---------------------------------------|
| V..... volts | A..... ampères |
| Hz..... hertz | W..... watts |
| min..... minutes | ~..... courant alternatif |
| ====..... courant continu | ∞..... courant alternatif ou continu |
| Ⓛ..... Construction de classe I (mis à la terre) | n ₀ vitesse à vide |
| Ⓜ..... Construction de classe II (à double isolation) | ⊕..... borne de terre |
| RPM..... rotations ou alternance par minute | ▲..... symbole d'alerte à la sécurité |
| | BPM..... coups par minute |
| | .../min..... par minute |
| | OPM..... orbites par minute |

RÈGLES DE SÉCURITÉ SUPPLÉMENTAIRES POUR L'ÉLIMINATION DE LA PEINTURE

- Le ponçage d'une peinture au plomb N'EST PAS RECOMMANDÉ en raison des difficultés entourant le contrôle de la poussière contaminée. Le danger le plus important d'empoisonnement au plomb touche les enfants et les femmes enceintes.
- Étant donné qu'il est difficile d'identifier si une peinture contient ou non du plomb sans une analyse chimique, nous recommandons de suivre les précautions suivantes lors du ponçage d'une peinture.

SÉCURITÉ PERSONNELLE

- Les enfants et les femmes enceintes ne devraient pas entrer dans une zone de travail où se fait le ponçage de la peinture avant que la zone n'ait été entièrement nettoyée.
- Toutes les personnes entrant dans la zone de travail doivent porter un masque antipoussières ou un respirateur. Le filtre doit être remplacé chaque jour ou dès que la personne qui le porte éprouve de la difficulté à respirer. Consulter la quincaillerie de la région pour obtenir un masque antipoussières approuvé par la NIOSH.
- NE PAS MANGER, NI BOIRE, NI FUMER dans la zone de travail pour empêcher toute ingestion de particules contaminées de peinture. Les travailleurs doivent se laver les mains AVANT de manger, de boire ou de fumer. Ne pas laisser de nourriture, de boissons ou d'articles de fumeur dans la zone de travail où ils risquent de recevoir de la poussière.

RESPECT DE L'ENVIRONNEMENT

- La peinture doit être enlevée de façon à minimiser la quantité de poussière produite.
- Les zones où la peinture est enlevée doivent être scellées avec des feuilles de plastique d'une épaisseur de 101,6 µm (4 mils).
- Le ponçage doit se faire de façon à réduire le repérage de la poussière de peinture à l'extérieur de la zone de travail.

NETTOYAGE ET ÉLIMINATION

- Toutes les surfaces de la zone de travail doivent être nettoyées à fond à l'aide d'un aspirateur, et ce, chaque jour, pour la durée du projet de ponçage. Il faut changer régulièrement les sacs-filtres pour aspirateur.
- Les toiles de peinture en plastique doivent être rassemblées et mises au rebut avec les particules de poussière ou tout autre débris d'enlèvement. Il faut les placer dans des récipients à rebut étanches et les éliminer par la collecte des ordures ménagères. Pendant le nettoyage, les enfants et les femmes enceintes doivent éviter de se trouver dans la zone immédiate de travail.
- Tous les jouets, meubles lavables et les ustensiles utilisés par les enfants doivent être nettoyés à fond avant de les utiliser de nouveau.

CONSERVER CES DIRECTIVES

MOTEUR

On doit s'assurer que l'intensité nominale du cordon d'alimentation corresponde à celle indiquée sur la plaque signalétique; sur cette dernière, la mention « 120 V c.a., 60 Hz » signifie que l'outil ne doit être branché que dans une prise de courant alternatif. Une chute de tension de plus de 10 % entraînera une perte de puissance et une surchauffe. Tous les outils Porter Cable sont soumis à des essais en usine; si cet outil ne fonctionne pas, on doit d'abord vérifier la ligne d'alimentation électrique afin de s'assurer qu'il n'y a aucun fusible grillé et qu'il y a un bon contact entre la fiche et la prise.

▲ AVERTISSEMENT : le régime nominal des accessoires doit au minimum égaler la vitesse recommandée sur l'étiquette d'avertissement de l'outil. Les accessoires fonctionnant à un régime plus élevé que celui pour lequel ils ont été conçus peuvent être projetés et entraîner des blessures. Le régime nominal des accessoires doit toujours se situer au-dessus de la vitesse de l'outil, tel qu'indiqué sur la plaque signalétique de l'outil.

FONCTIONNEMENT

▲ AVERTISSEMENT : Pour réduire le risque de blessures, éteindre l'appareil et le débrancher avant d'installer ou de retirer tout accessoire et avant d'effectuer des réglages ou des réparations. Un démarrage accidentel peut provoquer des blessures.

▲ AVERTISSEMENT : NE JAMAIS modifier l'outil électrique ou l'une de ses parties. Une telle pratique risque de provoquer des dommages matériels ou des blessures corporelles.

FIXATION DU PAPIER ABRASIF

Modèle 390 : utiliser des disques de ponçage de 127 mm (5 po) présentant un modèle de dépoussiérage avec trou en 8, qui se fixent à la ponceuse avec boucles et crochets.

Modèle 392 : utiliser des disques de ponçage sans trou de 127 mm (5 po), qui se fixent à la ponceuse au moyen d'un adhésif autocollant. (Dépoussiérage impossible avec ce modèle.)

Modèle 394 : utiliser des disques de ponçage de 127 mm (5 po) présentant un modèle de dépoussiérage avec trou en 8, qui se fixent à la ponceuse au moyen d'un adhésif autocollant.

▲ AVERTISSEMENT : Éteindre et débrancher l'outil avant d'effectuer tout réglage ou d'enlever ou installer tout accessoire. S'assurer que l'interrupteur est en position d'ARRÊT.

- Inverser l'outil et placer le plateau de la ponceuse face vers le haut (Fig. 1).
- Nettoyer toute poussière de la surface du plateau en vinyle.
- Retenir le plateau d'une main pour l'empêcher de tourner et avec l'autre (Fig. 2).
- Aligner les orifices et déposer les disques directement sur le plateau. (Fig. 3)

REMARQUE: Ne pas utiliser la grille à poncer (grille de ponçage utilisée pour le ponçage de cloison sèche) directement sur le système à crochet et à boucle du plateau. La grille ne tiendra pas en place et endommagera les crochets du plateau. Les crochets s'useront rapidement s'ils sont en contact avec la surface de travail alors que l'outil fonctionne.

INTERRUPTEUR

▲ AVERTISSEMENT : Pour réduire le risque de blessure, s'assurer que la ponceuse ne repose pas contre la pièce lors de la mise sous tension de l'outil.

Pour mettre la ponceuse en marche, enfoncer la section de l'interrupteur étanche (A) fig. 4 qui affiche « ON » et qui correspond au symbole « I ». Pour l'arrêter, enfoncer l'autre section qui affiche « OFF » et qui correspond au symbole « O ».

MOLETTE DE CONTRÔLE DE VITESSE

La molette de contrôle de vitesse (B) fig. 5 vous permet d'augmenter ou de réduire la vitesse entre 7 000 et 12 000 orbites par minute. Le régime optimal pour chaque application dépend principalement des préférences personnelles. Communément, un régime élevé s'utilise sur des matériaux plus durs et un régime plus lent sur des matériaux plus mous. Le taux d'enlèvement de la matière augmente avec le régime.

FREIN DE ROTATION DU PLATEAU

Les présentes ponceuses sont dotées d'un frein qui empêche l'atteinte d'une vitesse excessive de rotation. Si l'outil est soulevé de la surface de travail alors que le moteur est en marche, le frein limitera la rotation du plateau à, au plus, 500 tr/min.

Le frein de rotation du plateau en plastique a une action de freinage. Il faut le remplacer à l'occasion. En cas de défaillance du frein, faire parvenir la ponceuse à un centre de réparation Porter-Cable ou remplacer le frein vous-même en suivant les directives sous la rubrique **Remplacement Du Frein** de la section sur l'*Entretien* du présent manuel.

DEPOUSSIERAGE

▲ AVERTISSEMENT : Pour réduire le risque de blessures, éteindre l'appareil et le débrancher avant d'installer ou de retirer tout accessoire et avant d'effectuer des réglages ou des réparations. Un démarrage accidentel peut provoquer des blessures.

▲ AVERTISSEMENT : Pour réduire le risque de blessures corporelles graves, **NE JAMAIS** faire fonctionner cet outil avec du papier perforé à moins que le système de dépoussiérage soit en place.

▲ AVERTISSEMENT : Vider souvent le dépoussiéreur, particulièrement lors du ponçage de surfaces enduites de matières à base de résine comme du polyuréthane, du vernis, du vernis à la gomme laque, etc. Éliminer les particules de poussière enduites de produit selon les recommandations du fabricant du fini ou les amasser dans une boîte de métal avec un couvercle bien ajusté. Les retirer des lieux quotidiennement. L'accumulation de particules fines de poussière risque de s'enflammer spontanément et provoquer un incendie.

Pour utiliser le système de dépoussiérage, installer le module de dépoussiérage (C et D), figure 6, aussi loin que possible sur la goulotte à poussière (E). Pour vider le collecteur de poussière, le retirer et le vider dans une poubelle.

REMARQUE : aucun dépoussiérage n'est possible avec la ponceuse de modèle 392 parce que sa goulotte à poussière (E), figure 8, est couverte et que le plateau porte-disque ne comprend aucun trou.

REMARQUE : pour utiliser l'aspirateur d'atelier avec le système de dépoussiérage, tourner et tirer droit sur le collecteur de poussière (D), figure 6, pour le débrancher de l'adaptateur. Retirer l'étiquette noire (J), figure 7A, et relier directement le tuyau de l'aspirateur d'atelier à l'adaptateur de la goulotte (C) (fig. 7).

UTILISATION DE LA PONCEUSE

Pour se servir de la ponceuse, la saisir comme indiqué à la figure 9 et la mettre en marche. Imprimer un large mouvement de balayage le long de la surface. Laisser la ponceuse faire son travail. Vérifier régulièrement la surface de travail, particulièrement avec du papier abrasif à gros grains qui retire le matériel rapidement.

Le mouvement orbital aléatoire de la ponceuse vous permet de poncer suivant le fil du grain ou à n'importe quel angle pour la plupart des travaux de ponçage. Pour optimiser la finition, débiter le ponçage avec un papier abrasif à gros grains puis diminuer graduellement à du papier fin et super fin. Aspirer et essuyer la surface avec un chiffon résiné entre chaque changement de calibre de papier abrasif. La ponceuse est conçue pour fonctionner dans des petites zones ou des zones restreintes. Le modèle compact et léger est parfait pour le ponçage au-dessus de la tête.

Le collecteur de poussière se remplira plus ou moins rapidement selon la pièce travaillée et le calibre du papier abrasif. Pour de bons résultats, vider le collecteur régulièrement. Lors du ponçage de surfaces peintes (consulter les *Règles de Sécurité Supplémentaires Pour L'élimination de la Peinture*), le papier abrasif se bouche avec les particules de peinture. Avant le ponçage, la peinture s'enlèvera plus facilement avec un pistolet thermique, **VEUILLEZ SUIVRE TOUTES LES CONSIGNES DE SÉCURITÉ DU PISTOLET THERMIQUE DÉCRITES DANS SON MODE D'EMPLOI.**

GUIDE DE DEPANNAGE

Pour obtenir de l'aide au sujet de l'outil, consulter notre site Web www.deltaportercable.com pour obtenir une liste des centres de réparation ou composer le (888) 848-5175 pour le service à la clientèle de Porter-Cable.

ENTRETIEN

▲ AVERTISSEMENT : Pour réduire le risque de blessures corporelles graves, éteindre l'outil et le débrancher avant d'installer et de retirer tout accessoire, avant d'ajuster ou de modifier les réglages ou lors de réparations. Un démarrage accidentel peut provoquer des blessures.

▲ AVERTISSEMENT : **TOUJOURS PORTER DES LUNETTES DE SÉCURITÉ.** Les lunettes ordinaires ne constituent PAS des lunettes de sécurité. Utiliser également un masque facial ou antipoussière si l'opération de découpe génère de la poussière. TOUJOURS porter un équipement de protection homologué :

- protection oculaire conforme à la norme ANSI Z87.1 (CAN/CSA Z94.3);
- protection auditive conforme à la norme ANSI S12.6 (S3.19);
- protection des voies respiratoires conforme aux normes NIOSH/OSHA.

RÉPARATIONS

Pour obtenir de l'aide au sujet de l'outil, consulter notre site Web www.deltaportercable.com pour obtenir une liste des centres de réparation ou composer le (888) 848-5175 pour le service à la clientèle de Porter-Cable.

REMPLACEMENT DU TAMPON D'APPOINT

- ▲ AVERTISSEMENT :** DÉBRANCHER L'OUTIL DE LA SOURCE D'ALIMENTATION.
- Saisir le tampon à la main et utiliser une visseuse Torx T20 pour retirer les trois vis de fixation du tampon (F), figure 10.
- Soulever le tampon pour le retirer de la ponceuse.
- Pour installer le nouveau tampon, procéder de façon inverse. Resserrer les vis de fixation du tampon en appliquant un couple de 22 à 26 lb/po.

REMPLACEMENT DU FREIN

- ▲ AVERTISSEMENT :** DÉBRANCHER L'OUTIL DE LA SOURCE D'ALIMENTATION.
- Retirer le tampon d'appoint (voir la rubrique **Remplacement Du Tampon D'appoint**).
- Retirer le frein usagé (G), figure 11.
- Insérer le frein neuf en alignant les deux gorges (H), figures 12 et 13, du frein (G) dans les fentes (I) du boîtier de la ponceuse. Appuyer sur les gorges avec les pouces (fig. 14) et ajuster les rebords du tampon sur le rebord du boîtier de la ponceuse. Le frein, une fois fixé, devrait se présenter comme indiqué dans la figure 11.
- Réassembler le tampon d'appoint (voir la rubrique **Remplacement Du Tampon D'appoint**).

NETTOYAGE

▲ AVERTISSEMENT : Nous recommandons de suivre une procédure d'entretien, à savoir, d'enlever périodiquement la poussière et les éclats du carter de moteur à l'aide d'air comprimé sec et propre. Pour réduire le risque de blessures corporelles graves, TOUJOURS porter des lunettes de sécurité ANSI Z87.1 au moment d'utiliser l'air comprimé.

▲ AVERTISSEMENT : Lors du nettoyage des pièces de plastique, utiliser uniquement du savon doux et un chiffon humide. Bon nombre de nettoyeurs domestiques renferment des produits chimiques pouvant grandement endommager le plastique. En outre, ne pas utiliser d'essence, de térébenthine, de diluant à peinture ou à laque, de liquides pour nettoyage à sec ou tout autre produit semblable qui pourrait endommager gravement les composants en plastique. Ne jamais laisser de liquide pénétrer dans l'outil et NE JAMAIS immerger aucune partie de l'outil dans un liquide.

DÉMARRAGE IMPOSSIBLE

Si l'outil ne démarre pas, s'assurer que les lames de la fiche du cordon d'alimentation sont bien enfoncées dans la prise de courant. Vérifier également que les fusibles ne sont pas grillés ou que le disjoncteur ne s'est pas déclenché.

UTILISATION AVEC LES GÉNÉRATRICES : parfois, il est impossible de démarrer la ponceuse avec le moteur de la génératrice au ralenti. Dans ce cas, mettre la ponceuse et le ralenti de la génératrice hors fonction. Puis essayer de démarrer de nouveau la ponceuse.

LUBRIFICATION

L'outil a été lubrifié avec une quantité suffisante de lubrifiant de haute qualité pour la durée de vie de celui-ci sous des conditions d'utilisation normale. Aucune lubrification supplémentaire n'est nécessaire.

SERVICE

PIÈCES DE RECHANGE

Utiliser seulement des pièces de rechange identiques. Pour obtenir une liste des pièces de rechange ou pour en commander, consulter notre site Web au www.deltaportercableservicenet.com. Commander aussi des pièces auprès d'une succursale d'usine, ou composer le (888) 848-5175 pour le service à la clientèle.

ENTRETIEN ET RÉPARATION

Tous les outils de qualité finissent par demander un entretien ou un changement de pièce. Pour de plus amples renseignements à propos de Porter-Cable, ses succursales d'usine ou un centre de réparation sous garantie autorisé, consulter notre site Web au www.deltaportercable.com ou composer le (888) 848-5175 pour le service à la clientèle. Toutes les réparations effectuées dans nos centres de réparation sont entièrement garanties contre les défauts de matériaux et de main-d'œuvre. Nous ne pouvons garantir les réparations effectuées en partie ou totalement par d'autres.

Pour de plus amples renseignements par courrier, écrire à PORTER-CABLE, 4825 Highway 45 North, Jackson, Tennessee 38305, É.-U. – à l'attention de : Product Service. S'assurer d'indiquer toutes les informations figurant sur la plaque signalétique de l'outil (numéro du modèle, type, numéro de série, etc.).

ACCESSOIRES

▲ AVERTISSEMENT : Puisque les accessoires autres que ceux offerts par Porter-Cable•Delta n'ont pas été testés avec ce produit, l'utilisation de ceux-ci pourrait s'avérer dangereux. Pour un fonctionnement en toute sécurité, utiliser seulement les accessoires recommandés Porter-Cable•Delta avec le produit.

Une gamme complète d'accessoires est disponible auprès de votre fournisseur Porter-Cable•Delta, centres de réparation de l'usine Porter-Cable•Delta et centres de réparation agréés Porter-Cable. Veuillez consulter le site Web www.deltaportercable.com pour un catalogue ou le nom du fournisseur le plus près de chez vous.

GARANTIE LIMITÉE DE TROIS ANS

PORTER-CABLE réparera, sans frais, tout produit défectueux causé par un défaut de matériel ou de fabrication pour une période de trois ans à compter de la date d'achat. La présente garantie ne couvre pas les pièces dont la déféctuosité a été causée par une usure normale ou l'usage abusif de l'outil. Pour obtenir de plus amples renseignements sur les pièces ou les réparations couvertes par la présente garantie, visiter le site www.deltaportercable.com ou composer le (888) 848-5175. Cette garantie ne s'applique aux accessoires et ne vise pas les dommages causés par des réparations effectuées par un tiers. Cette garantie confère des droits légaux particuliers à l'acheteur, mais celui-ci pourrait aussi bénéficier d'autres droits variant d'un état ou d'une province à l'autre.

En plus de la présente garantie, les outils PORTER-CABLE sont couverts par notre :

CONTRAT D'ENTRETIEN GRATUIT D'UN AN: PORTER-CABLE entretiendra l'outil et remplacera les pièces usées au cours d'une utilisation normale et ce, gratuitement, pendant une période d'un an à compter de la date d'achat, et la.

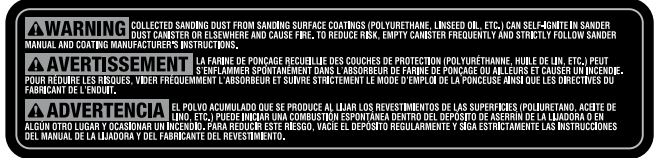
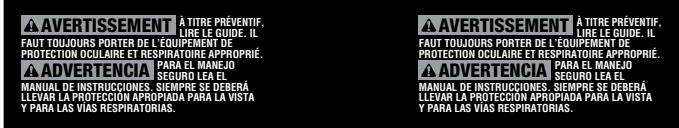
GARANTIE DE REMBOURSEMENT DE 90 JOURS: Si l'acheteur n'est pas entièrement satisfait, pour quelque raison que ce soit, du rendement de l'outil électrique ou de la cloueuse PORTER-CABLE, celui-ci peut le retourner, accompagné d'un reçu, dans les 90 jours à compter de la date d'achat, pour obtenir un remboursement intégral, sans aucun problème.

AMÉRIQUE LATINE : Cette garantie ne s'applique aux produits vendus en Amérique latine. Pour ceux-ci, veuillez consulter les informations relatives à la garantie spécifique présente dans l'emballage, appeler l'entreprise locale ou consulter le site Web pour les informations relatives à cette garantie.

Pour enregistrer l'outil en vue d'obtenir un service de garantie, consulter notre site Web au www.deltaportercable.com.

REMPLACEMENT GRATUIT DE L'ETIQUETTE

Si les étiquettes d'avertissement deviennent illisibles ou sont manquantes, composer le (888) 848-5175 pour en obtenir le remplacement gratuit.



PAUTAS DE SEGURIDAD/DEFINICIONES

- ▲ PELIGRO:** Indica una situación de peligro inminente que, si no se evita, **provocará la muerte o lesiones graves.**
- ▲ ADVERTENCIA:** Indica una situación de peligro potencial que, si no se evita, **podría provocar la muerte o lesiones graves.**
- ▲ ATENCIÓN:** Indica una situación de peligro potencial que, si no se evita, **puede provocar lesiones leves o moderadas.**
- ATENCIÓN:** Utilizado sin el símbolo de alerta de seguridad indica una situación de peligro potencial que, si no se evita, **puede provocar daños en la propiedad.**



▲ ADVERTENCIA: Para reducir el riesgo de lesiones, lea el manual de instrucciones.

ADVERTENCIAS GENERALES DE SEGURIDAD PARA HERRAMIENTAS ELÉCTRICAS

▲ ADVERTENCIA:

Lea todas las advertencias de seguridad e instrucciones. El incumplimiento de las advertencias e instrucciones puede provocar descargas eléctricas, incendios o lesiones graves.

CONSERVE TODAS LAS ADVERTENCIAS E INSTRUCCIONES PARA FUTURAS CONSULTAS

El término “herramienta eléctrica” incluido en las advertencias hace referencia a las herramientas eléctricas operadas con corriente (con cable eléctrico) o a las herramientas eléctricas operadas con baterías (inalámbricas).

1) SEGURIDAD EN EL ÁREA DE TRABAJO

- Mantenga el área de trabajo limpia y bien iluminada.** Las áreas abarrotadas y oscuras propician accidentes.
- No opere las herramientas eléctricas en atmósferas explosivas, como ambientes donde haya polvo, gases o líquidos inflamables.** Las herramientas eléctricas originan chispas que pueden encender el polvo o los vapores.
- Mantenga alejados a los niños y a los espectadores de la herramienta eléctrica en funcionamiento.** Las distracciones pueden provocar la pérdida de control.

2) SEGURIDAD ELÉCTRICA

- Los enchufes de la herramienta eléctrica deben adaptarse al tomacorriente. Nunca modifique el enchufe de ninguna manera. No utilice ningún enchufe adaptador con herramientas eléctricas con conexión a tierra.** Los enchufes no modificados y que se adaptan a los tomacorrientes reducirán el riesgo de descarga eléctrica.
- Evite el contacto corporal con superficies con descargas a tierra como, por ejemplo, tuberías, radiadores, cocinas eléctricas y refrigeradores.** Existe mayor riesgo de descarga eléctrica si su cuerpo está puesto a tierra.
- No exponga las herramientas eléctricas a la lluvia o a condiciones de humedad.** Si entra agua a una herramienta eléctrica, aumentará el riesgo de descarga eléctrica.
- No maltrate el cable. Nunca utilice el cable para transportar, tirar o desconectar la herramienta eléctrica.** Mantenga el cable alejado del calor, el aceite, los bordes filosos y las piezas móviles. Los cables dañados o enredados aumentan el riesgo de descarga eléctrica.
- Al operar una herramienta eléctrica en el exterior, utilice un cable prolongador adecuado para tal uso.** Utilice un cable adecuado para uso en exteriores a fin de reducir el riesgo de descarga eléctrica.
- Si el uso de una herramienta eléctrica en un lugar húmedo es imposible de evitar, utilice un suministro protegido con un interruptor de circuito por falla a tierra (GFCI).** El uso de un GFCI reduce el riesgo de descargas eléctricas.

3) SEGURIDAD PERSONAL

- Permanezca alerta, controle lo que está haciendo y utilice el sentido común cuando emplee una herramienta eléctrica. No utilice una herramienta eléctrica si está cansado o bajo el efecto de drogas, alcohol o medicamentos.** Un momento de desuido mientras se opera una herramienta eléctrica puede provocar lesiones personales graves.

LA SEGURIDAD ADICIONAL GOBIERNA PARA LA ELIMINACION DE PINTURA

- NO SE RECOMIENDA lijar pintura con base plomo debido a la dificultad para controlar el polvo contaminado. El peligro de envenenamiento por plomo es más importante para los niños y las mujeres embarazadas.
- Como es difícil identificar si una pintura contiene o no plomo sin realizar análisis químicos, recomendamos tomar las siguientes precauciones al lijar cualquier pintura:

SEGURIDAD PERSONAL

- Ningún niño o mujer embarazada debe ingresar al área de trabajo donde se lija la pintura hasta que se haya terminado la limpieza final.
- Todas las personas que ingresan al área de trabajo deben usar una máscara para polvo o una mascarilla de respiración. El filtro se debe cambiar diariamente o cada vez que el usuario tenga dificultad para respirar. Consulte en la ferretería local cuál es la máscara para polvo adecuada, aprobada por el NIOSH.
- NO SE DEBE COMER, BEBER O FUMAR en el área de trabajo para evitar ingerir partículas de pintura contaminada. Los trabajadores se deben lavar y limpiar ANTES de comer, beber o fumar. No se deben dejar artículos para comer, beber o fumar en el área de trabajo donde se podría depositar polvo sobre ellos.

SEGURIDAD AMBIENTAL

- La pintura debe ser retirada de forma tal de reducir al mínimo la cantidad de polvo generado.
- Las áreas donde se realiza remoción de pintura deben estar selladas con hojas de plástico de 0,10 mm (4 milésimas de pulgada) de espesor.
- El lijado se debe realizar de manera de reducir los vestigios de polvo de pintura fuera del área de trabajo.

LIMPIEZA Y ELIMINACIÓN

- Todas las superficies del área de trabajo deben ser limpiadas cuidadosamente y repasadas con aspiradora todos los días mientras dure el proyecto de lijado. Se deben cambiar con frecuencia las bolsas de filtro de la aspiradora.
- Las telas plásticas del piso se deben recoger y eliminar junto con cualquier resto de polvo u otros residuos del lijado. Deben colocarse en recipientes de desperdicios sellados y eliminarse por medio de los procedimientos normales de recolección de residuos. Durante la limpieza, los niños y las mujeres embarazadas deben mantenerse lejos del área de trabajo inmediata.
- Todos los juguetes, muebles lavables y utensilios utilizados por los niños deben ser lavados cuidadosamente antes de ser utilizados nuevamente.

CONSERVE ESTAS INSTRUCCIONES

MOTOR

Asegúrese de que su alimentación eléctrica concuerde con el voltaje marcado en la placa de identificación. “120 Volts AC 60Hz” significa que sólo puede utilizarse corriente alterna. Caídas de voltaje de más de 10% causarán una pérdida de potencia y sobrecalentamiento. Todas las herramientas Porter Cable vienen probadas de fábrica. Si esta herramienta no funciona, revise la línea de alimentación eléctrica para verificar que no se hayan saltado fusibles y que el enchufe y receptáculo tengan el contacto debido.

▲ADVERTENCIA: Los accesorios deben estar clasificados para la velocidad recomendada en la etiqueta de advertencia de la herramienta, como mínimo. Los accesorios que funcionen por encima de su velocidad nominal pueden desarmarse y provocar lesiones. La velocidad nominal de los accesorios debe ser siempre superior a la velocidad de la herramienta, indicada en la placa de ésta.

OPERACIÓN

▲ADVERTENCIA: Para reducir el riesgo de lesiones, apague la unidad y desconéctela de la fuente de alimentación antes de instalar o retirar accesorios, ajustar o cambiar configuraciones o realizar reparaciones. Un arranque accidental podría causar lesiones.

▲ADVERTENCIA: Nunca modifique la herramienta eléctrica ni sus piezas. Puede ocasionar un daño o una lesión personal.

COLOCACIÓN DEL PAPEL ABRASIVO

Modelo 390: Use discos para lijar de 127 mm (5 pulg) con patrón de extracción de polvo de 8 agujeros que se anexan a la lijadora con gancho y ojales.

Modelo 392: Use discos para lijar de 127 mm (5 pulg) sin agujeros que se anexan a la lijadora con adhesivo sensible a la presión. (La recolección de polvo no es posible con este modelo).

Modelo 394: Use discos para lijar de 127 mm (5 pulg) con patrón de extracción de polvo de 8 agujeros que se anexan a la lijadora con adhesivo sensible a la presión.

▲ATENCIÓN: Apague y desenchufe la herramienta antes de realizar ajustes o de retirar o instalar cualquier dispositivo o accesorio. Asegúrese de que el interruptor esté en la posición apagado (OFF).

- Ponga la lijadora al revés de modo que la almohadilla de lijar mire hacia arriba (Fig. 1).
- Limpie el polvo del frente de la almohadilla de vinilo.
- Sostenga la almohadilla con una mano para evitar que gire (Fig. 2).
- Con la otra mano, alinee los orificios y coloque el disco directamente sobre la parte superior de la almohadilla (Fig. 3).

NOTA: No utilice la malla para lijar (la malla que se usa para lijar mampostería) directamente sobre la almohadilla de velcro. La malla no se sostendrá y dañará el velcro de la almohadilla. El velcro se desgastará con mucha velocidad si se lo deja en contacto con la superficie de trabajo mientras la herramienta está en funcionamiento.

INTERRUPTOR

▲ADVERTENCIA: Para reducir el riesgo de lesiones, asegúrese de que la lijadora no esté apoyada sobre la pieza de trabajo cuando el interruptor está encendido.

Para encender la unidad, oprima el costado del interruptor protegido contra el polvo (A), Fig. 4, que dice “ON” y corresponde al símbolo “I”. Para apagar la unidad, oprima el costado del interruptor que dice “OFF” y corresponde al símbolo “O”.

DIAL DE CONTROL DE VELOCIDAD

El dial de control de velocidad (B) Fig. 5 le permite aumentar o disminuir la velocidad de 7.000 a 12.000 órbitas por minuto. La posición de velocidad óptima para cada aplicación depende bastante de la preferencia personal. Por lo general, usted querrá usar una posición más alta en los materiales más duros y una más baja en los materiales más blandos. La tasa de remoción de material aumenta a medida que se incrementa la velocidad.

FRENO DE ALMOHADILLA

Estas lijadoras están equipadas con un freno de almohadilla que evita que la almohadilla tome demasiada velocidad. Si se levanta la herramienta de la superficie de trabajo mientras el motor está en funcionamiento, el freno limitará la rotación de la almohadilla a 500 RPM como máximo.

El freno de almohadilla de plástico se utiliza para brindar la acción de freno. Es posible que con el tiempo haya que cambiarlo. Si el freno no limita la rotación de la almohadilla, envíe la lijadora a un centro de servicio Porter-Cable o reemplace el freno usted mismo usando la información de **Reemplazo Del Freno** en la sección de *Mantenimiento* de este manual.

RECOLECCIÓN DE POLVO

▲ADVERTENCIA: Para reducir el riesgo de lesiones, apague la unidad y desconéctela de la fuente de alimentación antes de instalar o retirar accesorios, ajustar o cambiar configuraciones o realizar reparaciones. Un arranque accidental podría causar lesiones.

▲ADVERTENCIA: Para reducir el riesgo de lesión personal grave, NUNCA haga funcionar esta herramienta con papel perforado, a menos que el sistema para la recolección del polvo esté en su lugar.

▲ADVERTENCIA: Vacíe el sistema de recolección de polvo en forma frecuente, en especial cuando lije superficies recubiertas de resina como poliuretano, barniz, laca, etc. Elimine las partículas de polvo de revestimiento de acuerdo con las normas del fabricante de acabado o colóquelas en un envase de metal con una tapa metálica de cierre hermético. Retire las partículas de polvo de revestimiento de las instalaciones diariamente. La acumulación de partículas de polvo de lijado fino puede encenderse espontáneamente y provocar un incendio.

Para usar el sistema de recolección de polvo, coloque el conjunto del depósito de polvo (C y D), figura 6, en el orificio para recolección de polvo (E) tanto como sea posible. Para vaciar el depósito de polvo, retírelo y vacíelo en un cesto de residuos.

NOTA: La recolección de polvo no es posible con la lijadora modelo 392 debido a que su orificio para recolección de polvo (E), Fig. 8, está cubierto y no hay agujeros en la almohadilla de respaldo.

NOTA: Para usar la aspiradora comercial con el sistema de recolección de polvo, retire el depósito de polvo (D), Fig. 6, al girarlo y tirar de él desde el adaptador. Retire la etiqueta negra (J), Fig. 7A, y conecte la manguera de aspiradora directamente al orificio del adaptador (C), Fig. 7.

USAR LA LIJADORA

Para operar su lijadora, tómelala como se muestra en la Fig. 9 y enciéndala. Haga movimientos amplios, barriendo la superficie, dejando que la lijadora haga el trabajo. Asegúrese de revisar su trabajo a menudo. Esta lijadora remueve el material rápidamente, especialmente el papel de grano grueso.

La acción orbital aleatoria de su lijadora le permite lijar con la veta de la madera o en cualquier ángulo transversal en la mayoría de los trabajos de lijado. Para obtener el acabado más liso posible, comience con papel de lija de grano grueso y cambie gradualmente a papel de grano cada vez más fino. Aspire y limpie la superficie con un paño antiestático entre los niveles del grano. Su lijadora está diseñada para lijar en áreas pequeñas o estrechas. Su tamaño pequeño y peso ligero la hacen ideal para trabajar por encima de la cabeza.

La velocidad con que la bolsa recolectora se llena varía con el material con que se trabaje y el grosor del grano del papel. Para obtener los mejores resultados, vacíe el depósito con frecuencia. Es posible que al lijar superficies pintadas (lea las *La Seguridad Adicional Gobierno Para la Eliminación de Pintura*) suceda que el papel de lija se cargue y se atasque con pintura. Una pistola de calor será más útil para remover la pintura antes de lijar. **SIGA TODAS LAS INSTRUCCIONES DE SEGURIDAD DEL MANUAL DE LA PISTOLA DE CALOR.**

GUIA LOCALIZACION DE FALLAS

Para obtener ayuda con su herramienta, visite nuestro sitio Web www.porter-cable.com y obtenga una lista de los centros de mantenimiento, o llame al Centro de atención al cliente de Porter-Cable al (888) 848-5175.

MANTENIMIENTO

▲ADVERTENCIA: Para reducir el riesgo de lesiones personales graves, apague la herramienta y desconéctela de la fuente de alimentación antes de instalar y retirar accesorios, ajustar o cambiar configuraciones o realizar reparaciones. Un arranque accidental podría causar lesiones.

- Utilice equipos de protección personal. Siempre utilice protección para los ojos.** En las condiciones adecuadas, el uso de equipos de protección, como máscaras para polvo, calzado de seguridad antideslizante, cascos o protección auditiva, reducirá las lesiones personales.
- Evite el encendido por accidente. Asegúrese de que el interruptor esté en la posición de apagado antes de conectarlo a la fuente de energía o paquete de baterías, o antes de levantar o transportar la herramienta.** Transportar herramientas eléctricas con el dedo apoyado en el interruptor o enchufar herramientas eléctricas con el interruptor en la posición de encendido puede propiciar accidentes.
- Retire la clavija de ajuste o la llave de tuercas antes de encender la herramienta eléctrica.** Una llave de tuercas o una clavija de ajuste que quede conectada a una pieza giratoria de la herramienta eléctrica puede provocar lesiones personales.
- No se estire. Conserve el equilibrio y párese adecuadamente en todo momento.** Esto permite un mejor control de la herramienta eléctrica en situaciones inesperadas.
- Use la vestimenta adecuada. No use ropas holgadas ni joyas. Mantenga el cabello, la ropa y los guantes alejados de las piezas en movimiento.** Las ropas holgadas, las joyas o el cabello largo pueden quedar atrapados en las piezas en movimiento.
- Si se suministran dispositivos para la conexión de accesorios con fines de recolección y extracción de polvo, asegúrese de que estén conectados y que se utilicen correctamente.** El uso de dispositivos de recolección de polvo puede reducir los peligros relacionados con el polvo.

4) USO Y MANTENIMIENTO DE LA HERRAMIENTA ELÉCTRICA

- No fuerce la herramienta eléctrica. Utilice la herramienta eléctrica correcta para el trabajo que realizará.** Si se la utiliza a la velocidad para la que fue diseñada, la herramienta eléctrica correcta permite trabajar mejor y de manera más segura.
- No utilice la herramienta eléctrica si no puede encenderla o apagarla con el interruptor.** Toda herramienta eléctrica que no pueda ser controlada mediante el interruptor es peligrosa y debe repararse.
- Desconecte el enchufe de la fuente de energía o el paquete de baterías de la herramienta eléctrica antes de realizar ajustes, cambiar accesorios o almacenar la herramienta eléctrica.** Estas medidas de seguridad preventivas reducen el riesgo de encender la herramienta eléctrica en forma accidental.
- Guarde la herramienta eléctrica que no esté en uso fuera del alcance de los niños y no permita que otras personas no familiarizadas con ella o con estas instrucciones operen la herramienta.** Las herramientas eléctricas son peligrosas si son operadas por usuarios no capacitados.
- Realice el mantenimiento de las herramientas eléctricas. Revise que no haya piezas en movimiento mal alineadas o trabadas, piezas rotas o cualquier otra situación que pueda afectar el funcionamiento de la herramienta eléctrica. Si encuentra daños, haga reparar la herramienta eléctrica antes de utilizarla.** Se producen muchos accidentes a causa de las herramientas eléctricas que carecen de un mantenimiento adecuado.
- Mantenga las herramientas de corte afiladas y limpias.** Las herramientas de corte con mantenimiento adecuado y con los bordes de corte afilados son menos propensas a trabarse y son más fáciles de controlar.
- Utilice la herramienta eléctrica, los accesorios y las brocas de la herramienta, etc. de acuerdo con estas instrucciones y teniendo en cuenta las condiciones de trabajo y el trabajo que debe realizarse.** El uso de la herramienta eléctrica para operaciones diferentes de aquéllas para las que fue diseñada podría originar una situación peligrosa.

5) MANTENIMIENTO

- Solicite a una persona calificada en reparaciones que realice el mantenimiento de su herramienta eléctrica y que sólo utilice piezas de repuesto idénticas.** Esto garantizará la seguridad de la herramienta eléctrica.

NORMAS DE SEGURIDAD ESPECÍFICAS ADICIONALES

- Sostenga la herramienta por las superficies de agarre aisladas cuando realice una operación en la que la herramienta de corte pueda tocar cables eléctricos ocultos o el cable de ésta.** El contacto con un cable con corriente eléctrica hará que las partes expuestas de la herramienta tengan corriente y que el operador reciba una descarga eléctrica.
- No use su lijadora para lijar ningún tipo de metal.** Lijar tornillos, clavos u otros metales que pueden encender partículas de polvo puede producir chispas.
- No utilice esta lijadora para lijar superficies húmedas.** Los líquidos pueden entrar en la caja del motor y pueden provocar descargas eléctricas
- Vacíe el sistema de recolección de polvo en forma frecuente, en especial cuando lije superficies recubiertas de resina como poliuretano, barniz, laca, etc.** Elimine las partículas de polvo de revestimiento de acuerdo con las normas del fabricante de acabado o colóquelas en un envase de metal con una tapa metálica de cierre hermético. Retire las partículas de polvo de revestimiento de las instalaciones diariamente. La acumulación de partículas de polvo de lijado fino puede encenderse espontáneamente y provocar un incendio.
- No haga funcionar esta herramienta durante periodos prolongados.** La vibración que produce el funcionamiento de esta herramienta puede provocar lesiones permanentes en dedos, manos y brazos. Use guantes para proveer amortiguación adicional, tome descansos frecuentes y limite el tiempo diario de uso.
- No se recomiende lijar pintura con base de plomo, madera tratada a presión con químicos u otros materiales que puedan contener agentes cancerígenos.** El lijado de estos materiales sólo debe ser realizado por un profesional calificado.
- Limpie su herramienta con frecuencia, especialmente después de un uso intensivo.** Generalmente se acumula polvo y arenilla que contienen partículas metálicas en las superficies interiores y podrían generar un riesgo grave de lesión, descarga eléctrica o electrocución. **SIEMPRE** desconecte la lijadora de la fuente de energía antes de limpiarla. **SIEMPRE USE LENTES DE SEGURIDAD** que cumplan con la ANSI Z87.1.
- SIEMPRE desconecte la herramienta de la fuente de energía antes de cambiar la papel abrasivo.** Estas medidas de seguridad preventivas reducen el riesgo de encender la herramienta eléctrica en forma accidental.

CABLE

Para garantizar la seguridad, un cable prolongador debe tener un tamaño de cable adecuado (AWG o Calibre de conductor de Estados Unidos). Cuanto más pequeño sea el número de calibre del conductor, mayor será la capacidad del cable; es decir, un calibre 16 tiene más capacidad que un calibre 18. Un alargador de menor calibre causará una caída en el voltaje de la línea lo que resultará en pérdida de potencia y sobrecalentamiento. Cuando se utiliza más de una prolongación para lograr la longitud total, asegúrese de que cada prolongación tenga la medida mínima del conductor. El siguiente cuadro muestra el tamaño correcto a utilizar, dependiendo del largo del cable y el amperaje nominal. En caso de duda, utilice el de mayor calibre. Mientras menor el número del calibre, mayor la capacidad del cable.

| Calibre mínimo para juegos de cables | | | | | | |
|--------------------------------------|-------|---|-----------|----------------|------------|------------|
| Capacidad nominal en amperios | | Largo total del cable en metros (en pies) | | | | |
| | | 120V | 7,6 (25) | 15,2 (50) | 30,5 (100) | 45,7 (150) |
| | | 240V | 15,2 (50) | 30,5 (100) | 61,0 (200) | 91,4 (300) |
| Desde | Hasta | AWG | | | | |
| 0 | 6 | 18 | 16 | 16 | 14 | |
| 6 | 10 | 18 | 16 | 14 | 12 | |
| 10 | 12 | 16 | 16 | 14 | 12 | |
| 12 | 16 | 14 | 12 | No recomendado | | |

▲ADVERTENCIA: Parte del polvo producido por las herramientas eléctricas al lijar, aserrar, esmerilar, taladrar y realizar otras actividades de construcción contiene productos químicos reconocidos por el Estado de California como causantes de cáncer, defectos de nacimiento u otros problemas reproductivos. Algunos ejemplos de estos productos químicos son:

- el plomo de las pinturas de base plomo,
- la sílice cristalina de los ladrillos, el cemento y otros productos de mampostería, y
- el arsénico y el cromo de la madera con tratamiento químico.

El riesgo derivado de la exposición a estos productos químicos varía según la frecuencia con la que se realice este tipo de trabajo. Para reducir su exposición, trabaje en áreas bien ventiladas y use equipos de seguridad aprobados, como las máscaras para polvo especialmente diseñadas para filtrar las partículas microscópicas.

▲ADVERTENCIA: Evite el contacto prolongado con el polvo originado al lijar, aserrar, esmerilar, taladrar y otras actividades constructivas. Vista ropas protectoras y lave las áreas expuestas con jabón y agua. Permitir al polvo introducirse en su boca u ojos, o dejarlo sobre la piel, puede promover la absorción de químicos peligrosos.

▲ADVERTENCIA: La utilización de esta herramienta puede originar polvo o dispersarlo, lo que podría causar daños graves y permanentes al sistema respiratorio, así como otras lesiones. Siempre use protección respiratoria aprobada por NIOSH/OSHA, apropiada para su uso en condiciones de exposición al polvo. Procure que las partículas no se proyecten directamente sobre su rostro o su cuerpo.

▲ADVERTENCIA: Durante el uso, use SIEMPRE protección auditiva adecuada que cumpla con la norma ANSI S12.6 (S3.19). Bajo ciertas circunstancias y según el período de uso, el ruido producido por este producto puede contribuir a la pérdida de audición.

▲ADVERTENCIA: SIEMPRE USE ANTEOJOS DE SEGURIDAD. (ANSI Z87.1) or (CAN/CSA Z94.3). Los anteojos de uso diario NO son anteojos de seguridad. Utilice también máscaras faciales o para polvo si el corte produce polvillo. UTILICE SIEMPRE EQUIPO DE SEGURIDAD CERTIFICADO:

- Protección para la vista según la norma ANSI Z87.1 (CAN/CSA Z94.3)
- Protección auditiva según la norma ANSI S12.6 (S3.19)
- Protección respiratoria según las normas NIOSH/OSHA

SÍMBOLOS

La etiqueta de su herramienta puede incluir los siguientes símbolos. Los símbolos y sus definiciones son los siguientes:

| | |
|---|--|
| V.....voltios | A..... amperios |
| Hzhertz | W..... vatios |
| min.....minutos | ~ corriente alterna |
| ====corriente directa | ~ corriente alterna o directa |
| Ⓜ.....Construcción Clase I (con conexión a tierra) | Ⓜo velocidad sin carga |
| ⓂConstrucción Clase II (con aislamiento doble) | Ⓜ terminal a tierra |
| RPM.....revoluciones o reciprocidad por minuto | ▲ símbolo de alerta de seguridad |
| | .../min por minuto |
| | BPM golpes por minuto |
| | OPM..... órbitas por minuto |

▲ ADVERTENCIA: USE SIEMPRE LENTES DE SEGURIDAD. Los anteojos de uso diario NO son lentes de seguridad. Utilice también máscaras faciales o para polvo si los cortes producen polvillo. Utilice SIEMPRE equipos de seguridad certificados:

- Protección para los ojos según la norma ANSI Z87.1 (CAN/CSA Z94.3)
- Protección auditiva según la norma ANSI S12.6 (S3.19)
- Protección respiratoria según las normas NIOSH/OSHA.

REPARACIONES

Para obtener ayuda con su herramienta, visite nuestro sitio Web www.porter-cable.com y obtenga una lista de los centros de mantenimiento, o llame al Centro de atención al cliente de Porter-Cable al (888) 848-5175.

CAMBIAR LA ALMOHADILLA DE RESPALDO

1. **▲ ATENCIÓN:** DESCONECTE LA HERRAMIENTA DE LA FUENTE DE ALIMENTACIÓN.
2. Tome la almohadilla con la mano y use un destornillador Torx T20 para retirar los tres tornillos de fijación de la almohadilla (F), Fig. 10.
3. Levante la almohadilla de la lijadora.
4. Realice el procedimiento inverso para instalar la nueva almohadilla. Ajuste los tornillos de fijación de la almohadilla con una torsión entre 22 y 26 libras-pulgadas.

REEMPLAZO DEL FRENO

1. **▲ ATENCIÓN:** DESCONECTE LA HERRAMIENTA DE LA FUENTE DE ALIMENTACIÓN.
2. Retire la almohadilla de respaldo (consulte la sección **Cambiar La Almohadilla De Respaldo**).
3. Retire el freno anterior (G), Fig. 11.
4. Inserte el freno nuevo alineando las dos superficies con chavetas (H), Figs. 12 y 13, del freno (G) con las ranuras (I) en la cubierta de la lijadora. Presione las dos superficies con chavetas con los pulgares (Fig. 14) y luego ajuste los bordes de la almohadilla en torno al borde de la cubierta de la lijadora. El freno colocado debe asemejarse a la Fig. 11.
5. Vuelva a colocar la almohadilla de respaldo (consulte la sección **Cambiar La Almohadilla De Respaldo**).

LIMPIEZA

▲ ADVERTENCIA: Se sugiere, como procedimiento de mantenimiento, soplar aire comprimido seco y limpio, periódicamente, para sacar el polvo y fragmentos de la caja del motor. Para reducir el riesgo de lesión personal grave, SIEMPRE use lentes de seguridad que cumplan con el ANSI Z87.1 al hacer uso del aire comprimido.

▲ ADVERTENCIA: Al realizar la limpieza, use únicamente jabón suave y un paño húmedo en las partes plásticas. Muchos limpiadores para uso doméstico pueden contener sustancias químicas que podrían dañar el plástico considerablemente. Tampoco utilice gasolina, aguarrás, barniz o solvente, líquidos para limpieza en seco o productos similares, que podrían dañar seriamente las piezas de plástico. Nunca permita que penetre líquido dentro de la herramienta y nunca sumerja las piezas de la herramienta en un líquido.

FALLA EN EL ENCENDIDO

Si la herramienta no enciende, verifique que las patas del enchufe del cable hagan buen contacto en el tomacorriente. Además, revise que no haya fusibles quemados o interruptores automáticos de circuito abierto en la línea.

USO CON GENERADORES: En muy pocos casos es posible que la lijadora no arranque con un generador en el modo inactivo. En este caso, apague la lijadora y desactive el modo inactivo del generador. Luego, intente arrancar la lijadora nuevamente.

LUBRICACIÓN

Esta herramienta ha sido aceiteada con una cantidad suficiente de lubricante de alto grado para extender la vida de la unidad en condiciones normales de funcionamiento. No se requiere lubricación adicional.

SERVICIO

PIEZAS DE REPUESTO

Utilice sólo piezas de repuesto idénticas. Para obtener una lista de piezas o para solicitar piezas, visite nuestro sitio Web en www.deltaportercableservicenet.com. También puede solicitar piezas en nuestro centro más cercano, o llamando a nuestro Centro de atención al cliente al (888) 848-5175.

MANTENIMIENTO Y REPARACIONES

Con el paso del tiempo, todas las herramientas de calidad requieren mantenimiento o reemplazo de las piezas. Para obtener información acerca de Porter-Cable, sus sucursales o un Centro de mantenimiento con garantía autorizado, visite nuestro sitio Web www.porter-cable.com o llame a nuestro Centro de atención al cliente al (888) 848-5175. Todas las reparaciones realizadas en nuestros centros de mantenimiento están completamente garantizadas en relación con los materiales defectuosos y la mano de obra. No podemos otorgar garantías en relación con las reparaciones ni los intentos de reparación de otras personas.

También puede escribirnos solicitando información a PORTER-CABLE, 4825 Highway 45 North, Jackson, Tennessee 38305; referencia: Mantenimiento de productos. Asegúrese de incluir toda la información mencionada en la placa de la herramienta (número de modelo, tipo, número de serie, etc.)

ACCESORIOS

▲ ADVERTENCIA: Debido a que no se han probado con este producto otros accesorios que no sean los que ofrece Porter-Cable•Delta, el uso de tales accesorios puede ser peligroso. Para un funcionamiento seguro, con este producto sólo deben utilizarse los accesorios recomendados por Porter-Cable•Delta.

Su proveedor de productos Porter-Cable•Delta, los Centros de mantenimiento de fábrica de Porter-Cable y los Centros de mantenimiento autorizados de Porter-Cable pueden suministrarle una línea completa de accesorios. Para obtener un catálogo o para conocer el nombre de su proveedor más cercano, visite nuestro sitio Web www.deltaportercable.com.

PÓLIZA DE GARANTÍA

IDENTIFICACIÓN DEL PRODUCTO:

Sello o firma del Distribuidor.Nombre del producto: _____
Mod./Cat.: _____ Marca: _____ Núm. de serie: _____ (Datos para ser llenados por el distribuidor)Fecha de compra y/o entrega del producto: _____ Nombre y domicilio del distribuidor donde se adquirió el producto: _____

Este producto está garantizado por un año a partir de la fecha de entrega, contra cualquierdefecto en su funcionamiento, así como en materiales y mano de obra empleados para su fabricación. Nuestra garantía incluye la reparación o reposición del producto y/o componentes sincargo alguno para el cliente, incluyendo mano de obra, así como los gastos de transportaciónrazonablemente erogados derivados del cumplimiento de este certificado.Para hacer efectiva esta garantía deberá presentar su herramienta y esta póliza sellada por elestablecimiento comercial donde se adquirió el producto, de no contar con ésta, bastará la fac-tura de compra.

EXCEPCIONES

Esta garantía no será válida en los siguientes casos:

- Cuando el producto se hubiese utilizado en condiciones distintas a las normales;
- Cuando el producto no hubiese sido operado de acuerdo con el instructivo de uso que seacompaña;
- Cuando el producto hubiese sido alterado o reparado por personas distintas a las enlis-tadas al final de este certificado.

Anexo encontrará una relación de sucursales de servicio de fábrica, centros de servicio autor-izados y franquiciados en la República Mexicana, donde podrá hacer efectiva su garantía yadquirir partes, refacciones y accesorios originales.

GARANTÍA LIMITADA POR TRES AÑOS

PORTER-CABLE reparará, sin cargo, cualquier falla que surja de defectos en el material o la fabricación del producto, por hasta tres años a contar de la fecha de compra. Esta garantía no cubre fallas de las piezas causadas por su desgaste normal o abuso a la herramienta. Para mayores detalles sobre la cobertura de la garantía e información acerca de reparaciones realizadas bajo garantía, visítenos en www.deltaportercable.com o diríjase al centro de servicio más cercano. Esta garantía no aplica a accesorios o a daños causados por reparaciones realizadas o intentadas por terceros. Esta garantía le otorga derechos legales específicos, además de los cuales puede tener otros dependiendo del estado o provincia en que se encuentre.

Además de la garantía, las herramientas PORTER-CABLE están cubiertas por:

1 AÑO DE SERVICIO GRATUITO: PORTER-CABLE mantendrá la herramienta y reemplazará las piezas gastadas por su uso normal, sin cobro, en cualquier momento durante un año a contar de la fecha de compra.

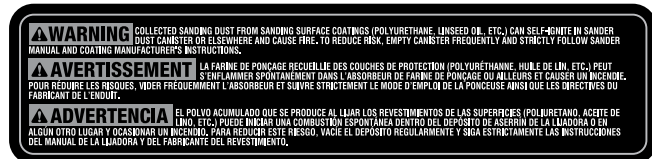
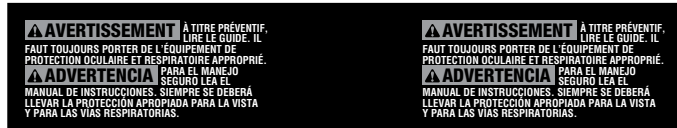
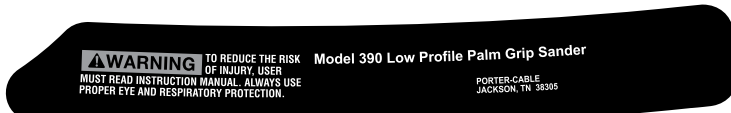
GARANTÍA DE REEMBOLSO DE SU DINERO POR 90 DÍAS: Si no está completamente satisfecho con el desempeño de su máquina herramienta o clavadora PORTER-CABLE, cualquiera sea el motivo, podrá devolverlo hasta 90 días de la fecha de compra con su recibo y obtener el reembolso completo de su dinero – sin necesidad de responder a ninguna pregunta.

AMÉRICA LATINA: Esta garantía no se aplica a los productos que se venden en América Latina. Para los productos que se venden en América Latina, debe consultar la información de la garantía específica del país que viene en el empaque, llamar a la compañía local o visitar el sitio Web a fin de obtener esa información.

Para registrar la herramienta para obtener el mantenimiento cubierto por la garantía, visite nuestro sitio web en www.deltaportercable.com.

REEMPLAZO DE LAS ETIQUETAS DE ADVERTENCIA

Si sus etiquetas de advertencia se vuelven ilegibles o faltan, llame al (888) 848-5175 para que se las reemplacen gratuitamente.



PARA REPARACIÓN Y SERVICIO DE SUS HERRAMIENTAS ELÉCTRICAS, FAVOR DE DIRIGIRSE AL CENTRO DE SERVICIO MÁS CERCANO

| | |
|---|------------------|
| CULIACAN, SIN Bvd.Emiliano Zapata 5400-1 Poniente Col. San Rafael | (667) 717 89 99 |
| GUADALAJARA, JAL Av. La Paz #1779 - Col. Americana Sector Juárez | (33) 3825 6978 |
| MEXICO, D.F. Eje Central Lázaro Cárdenas No. 18 Local D, Col. Obrera | (55) 5588 9377 |
| MERIDA, YUC Calle 63 #459-A - Col. Centro | (999) 928 5038 |
| MONTERREY, N.L. Av. Francisco I. Madero 831 Poniente - Col. Centro | (818) 375 23 13 |
| PUEBLA, PUE 17 Norte #205 - Col. Centro | (222) 246 3714 |
| QUERETARO, QRO Av. San Roque 274 - Col. San Gregorio | (442) 2 17 63 14 |
| SAN LUIS POTOSI, SLP Av. Universidad 1525 - Col. San Luis | (444) 814 2383 |
| TORREON, COAH Blvd. Independencia, 96 Pte. - Col. Centro | (871) 716 5265 |
| VERACRUZ, VER Prolongación Díaz Mirón #4280 - Col. Remes | (229) 921 7016 |
| VILLAHERMOSA, TAB Constitución 516-A - Col. Centro | (993) 312 5111 |

PARA OTRAS LOCALIDADES:

Si se encuentra en México, por favor llame al (55) 5326 7100

Si se encuentra en U.S., por favor llame al (888) 848-5175

ESPECIFICACIONES

MODEL 390, 390K, 392, 394

| | |
|--------------------------|--------------------|
| Tensión de alimentación: | 120 V AC~ |
| Consumo de corriente: | 3.5 A |
| Frecuencia de operación: | 60 Hz |
| Rotación sin carga: | 7,000 - 12,000 rpm |

SOLAMENTE PARA PROPÓSITO DE MÉXICO:
IMPORTADO POR: DEWALT S.A. DE C.V.
BOSQUES DE CIDROS, ACCESO RADIATAS NO.42
3A. SECCIÓN DE BOSQUES DE LAS LOMAS
DELEGACIÓN CUAJIMALPA,
05120, MÉXICO, D.F.
TEL. (52) 555-326-7100
R.F.C.: BDE810626-1W7

Para servicio y ventas consulte "HERRAMIENTAS ELECTRICAS" en la sección amarilla.



The following are PORTER-CABLE trademarks for one or more power tools and accessories: a gray and black color scheme; a ♦ "four point star" design; and three contrasting/outlined longitudinal stripes. The following are also trademarks for one or more Porter-Cable and Delta products: Les éléments ci-dessous sont des marques de commerce des outils et des accessoires de PORTER-CABLE : un agencement de couleurs grise et noire; un motif d' « étoile à quatre pointes » ♦ et trois bandes longitudinales contrastantes/à contours. Les marques suivantes sont également des marques de commerce se rapportant à un ou plusieurs produits Porter-Cable ou Delta : Las siguientes son marcas comerciales PORTER-CABLE que distinguen a una o más herramientas y accesorios: un gráfico de color gris y negro; un diseño de ♦ "estrella de cuatro puntas" y tres franjas longitudinales contrastantes/delineadas. Las siguientes también son marcas comerciales para uno o más productos de Porter-Cable y Delta: 2 BY 4®, 890™, Air America®, AIRBOSS™, Auto-Set®, B.O.S.S.®, Bammer®, Biesmeyer®, Builders Saw®, Charge Air®, Charge Air Pro®, CONTRACTOR SUPERDUTY®, Contractor's Saw®, Delta®, DELTA®, Delta Industrial®, DELTA MACHINERY & DESIGN™, Delta Shopmaster and Design®, Delta X5®, Deltacraft®, DELTAGRAM®, Do It. Feel It.®, DUAL LASERLOC AND DESIGN®, EASY AIR®, EASY AIR TO GO™, ENDURADIAMOND®, Ex-Cell®, Front Bevel Lock®, Get Yours While the Sun Shines®, Grip to Fit®, GRIPVAC™, GTF®, HICKORY WOODWORKING®, Homecraft®, HP FRAMER HIGH PRESSURE®, IMPACT SERIES™, Innovation That Works®, Jet-Lock®, Job Boss®, Kickstand®, LASERLOC®, LONG-LASTING WORK LIFE®, MAX FORCE™, MAX LIFE®, Micro-Set®, Midi-Lathe®, Monsoon®, MONSTER-CARBIDE™, Network®, OLDHAM®, Omnijig®, PC EDGE®, Performance Crew™, Performance Gear®, Pocket Cutter®, Porta-Band®, Porta-Plane®, Porter Cable®, Porter-Cable Professional Power Tools®, Powerback®, POZI-STOP™, Pressure Wave®, PRO 4000®, Proair®, Quicksand and Design®, Quikset II®, QUIET DRIVE TECHNOLOGY™, QUIET DRIVE TECHNOLOGY AND DESIGN™, Quik-Change®, QUIK-TILT®, RAPID-RELEASE™, RAZOR®, Redefining Performance®, Riptide®, Safe Guard II®, Sand Trap and Design®, Sanding Center®, Saw Boss®, Shop Boss®, Sidekick®, Site Boss®, Speed-Bloc®, Speedmatic®, Stair Ease®, Steel Driver Series®, SUPERDUTY®, T4 & DESIGN™, THE AMERICAN WOODSHOP®, THE PROFESSIONAL EDGE®, Thin-Line®, Tiger Saw®, TIGERCLAW®, TIGERCLAW AND DESIGN®, Torq-Buster®, TRU-MATCH®, T-Square®, Twinlaser®, Unifence®, Uniguard®, UNIRIP®, UNISAW®, UNITED STATES SAW®, Veri-Set®, Versa-Feeder®, VIPER®, VT™, VT RAZOR™, Water Driver®, WATER VROOM®, Waveform®, Whisper Series®, X5®, YOUR ACHIEVEMENT. OUR TOOLS.®

Trademarks noted with ® are registered in the United States Patent and Trademark Office and may also be registered in other countries. Other trademarks may apply. Les marques de commerce suivies du symbole ® sont enregistrées auprès du United States Patent and Trademark Office et peuvent être enregistrées dans d'autres pays. D'autres marques de commerce peuvent également être applicables. Las marcas comerciales con el símbolo ® están registradas en la Oficina de patentes y marcas comerciales de Estados Unidos (United States Patent and Trademark Office), y también pueden estar registradas en otros países. Posiblemente se apliquen otras marcas comerciales registradas.

PORTER CABLE.

4825 Highway 45 North
Jackson, TN 38305

(888) 848-5175
www.deltaportercable.com