



107-108 Montclair

Elongated Front, SmartHeight™
Vitreous China, Two-Piece Toilet

Features

- The perfect balance between traditional and modern
- Elongated front, SmartHeight™ (16-1/2" high bowl)
- Chair height for maximum comfort
- High performance MagnaFlush II™ flushing technology with 3" flush valve virtually eliminates clogging
- Pilot operated anti-siphon fill valve
- 1.6 Gpf / 6.0 Lpf low water consumption
- 2-1/8" glazed trapway
- 12" rough-in
- Complete Montclair Suite includes a bathtub, whirlpool and air systems, self-rimming lavatory, pedestal lavatory and toilet
- Upgrade with a color-match SmartClose™ or Primo™ toilet seat
- Available in White, Standard Colors: Biscuit, Classic Bone and Designer Colors: Black (Consult Price Book for specific colors)
- Model 66 side-mount trip lever, chrome plated with color-match ceramic inset (Consult Price Book for specific colors)
- Meets or exceeds ANSI/ASME A112.192
- Meets or exceeds Canadian Standards Association CSA B45.0
- Outstanding protection — The Mansfield® limited lifetime warranty
- Complies with ADA requirements for accessibility



Elongated Front

Model 107-108
Shown with SB1175
SmartClose™ Toilet Seat

Model No.	Description	Approx. Wt.
107-108	Elongated front, SmartHeight™ (1.6 Gpf/6.0 Lpf) two-piece toilet. 12" rough-in. Includes tank trim and left hand, side mount chrome plated trip lever with color-match ceramic inset. Less toilet seat and supply. Specify color.	78 lbs. (35 kg)
107	Elongated front toilet bowl only. 12" rough-in. Less toilet seat. Specify color.	49 lbs. (22 kg)
108	Tank and cover only, with left hand side mount, chrome plated trip lever with color-match ceramic inset. Less supply. Specify color.	29 lbs. (13 kg)
SB1175	Elongated SmartClose™ toilet seat. Specify color.	5.5 lbs. (2 kg)
SB1200	Elongated Primo™ toilet seat. Specify color.	5.5 lbs. (2 kg)



MagnaFlush II™

SmartHeight™



107-108

Montclair

Elongated Front, SmartHeight™
Vitreous China, Two-Piece Toilet

Features & Upgrades

MagnaFlush II™ Flushing Technology

Featuring an extra large 3" flush valve, a pilot operated fill valve and our optimized 2-1/8" trapway. MagnaFlush II™ flushing technology offers a fast and powerful flush - every time. Performance Without Compromise.



206 Flush Valve

Our newest 3" flush valve features a high volume flow rate for a quick and quiet flush action. Designed for maximum performance, it offers more than twice the potential flow rate of a conventional 2" flush valve. Non-corrosive and durable, it will provide years of dependable use.



M400 Anti-Siphon Fill Valve

The M400 fill valve operates efficiently at low or high water pressures. Featuring a patented flow regulator and debris filter and positive shut-off for added functionality. Easily adjustable to retain optimum water level.



Add a Toilet Seat

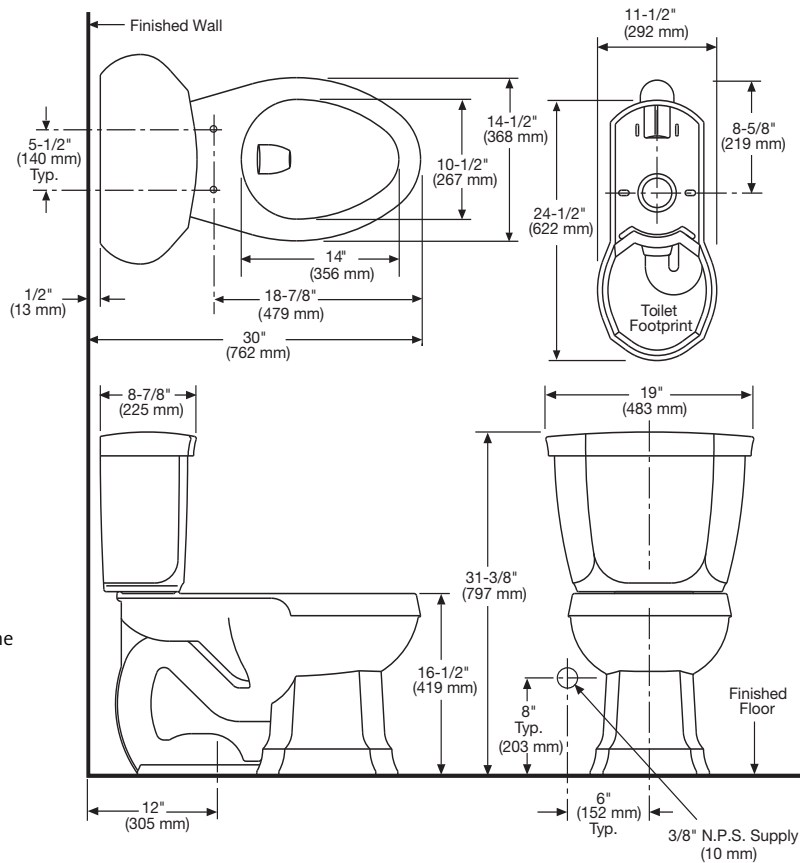
With a simple touch, Mansfield's newest SmartClose™ toilet seat closes gently and quietly. Or upgrade your toilet with a popular Primo™ toilet seat. Made of durable, high impact, heavy-duty plastic. For all applications — Get More, Get Mansfield®.



Technical Information

Specifications

Material	Vitreous China
Water Pressure Range	20 to 80 P.S.I
Flush System	MagnaFlush II™ Flushing Technology
Water Usage	1.6 Gpf / 6.0 Lpf
Water Surface Area	8-7/8" x 12"
Trap Diameter	2"
Trap Seal	2-1/2"
Rough-in	12"
Shipping Dimensions	Model 107 28" x 15-3/4" x 17-1/2" (711 mm x 400 mm x 445 mm) Model 108 19-5/8" x 10-7/8" x 15-5/8" (498 mm x 276 mm x 397 mm)
Shipping Weight	Model 107 - 53 lbs (24 kg) Model 108 - 32 lbs (15 kg)
Warranty	Vitreous China - Limited Lifetime Tank Trim - Limited One Year



These dimensions are nominal and are subject to change without prior notice.

Fixture performance and specifications meet or exceed, ANSI/ASME A112.19.2 standards and CAN/CSA B45.0 standards, and other state and local codes.

Meets the Americans with Disabilities Act guidelines and ANSI/ASME A117.1 requirements where installed so top of seat is 17" from the finished floor.

NOTE: Install this product according to the installation guide.

Fixture dimensions are nominal and conform to tolerances in ASME Standard A112.19.2

See our complete line of acrylic and vitreous china bathroom fixtures and plastic tank trim and plumbing products.



Mansfield Plumbing Products LLC • Customer Service Toll Free 877-850-3060 • Fax 419-938-6234
Website: www.mansfieldplumbing.com • Email: custserv@mansfieldplumbing.com

Form No. M107108 Printed in U.S.A. 2/08
© 2008 Mansfield Plumbing Products LLC