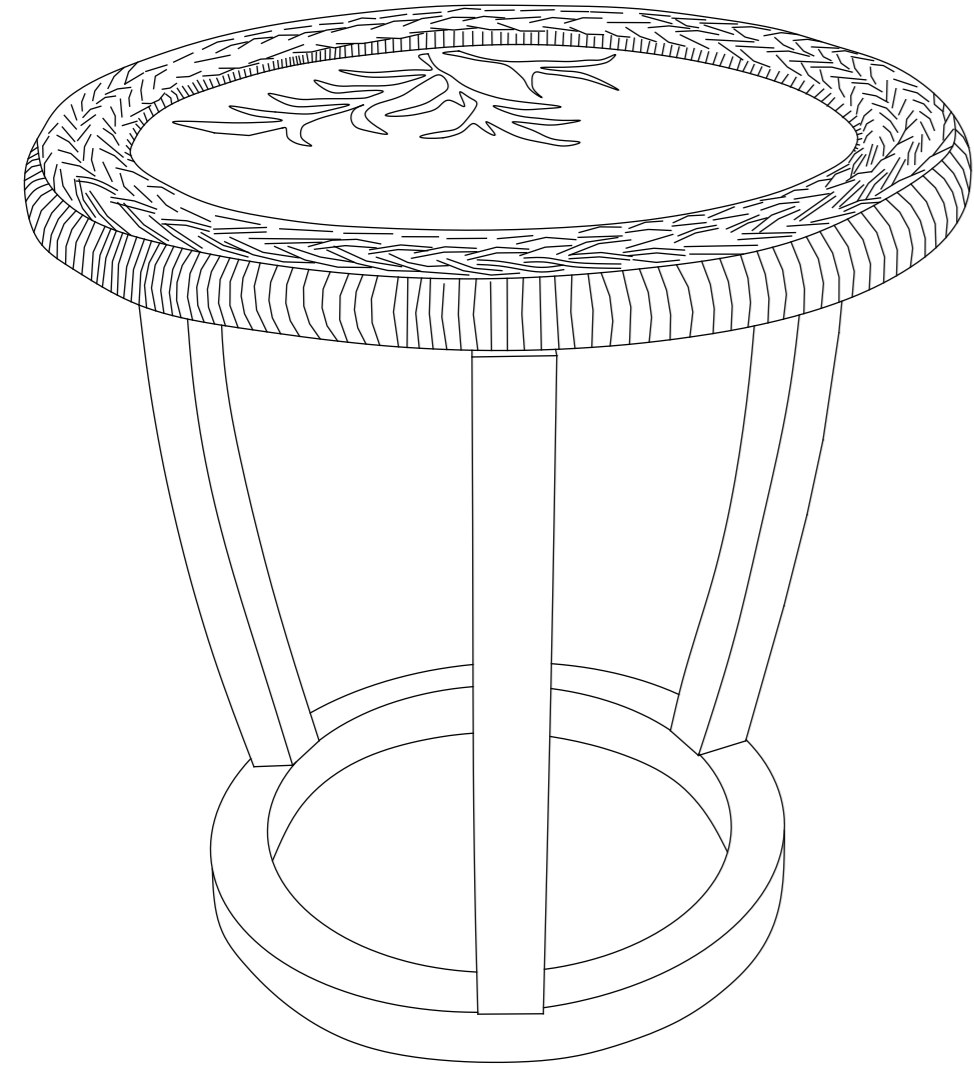




ITEM #0174392  
**WOVEN**  
**SIDE TABLE**  
 MODEL #LGD-1087-T

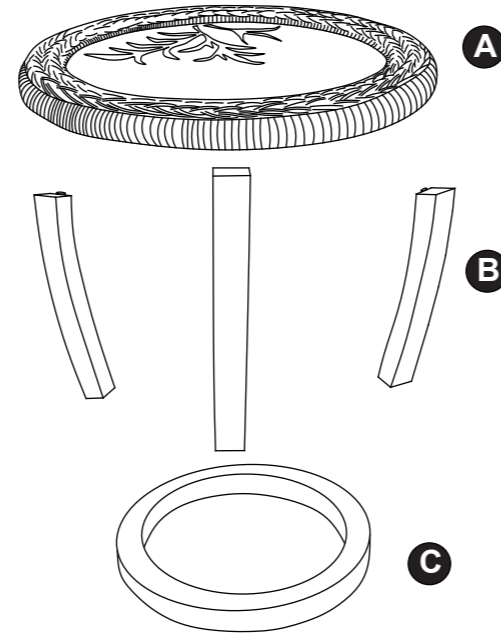


**ATTACH YOUR RECEIPT HERE**

Serial Number \_\_\_\_\_ Purchase Date \_\_\_\_\_

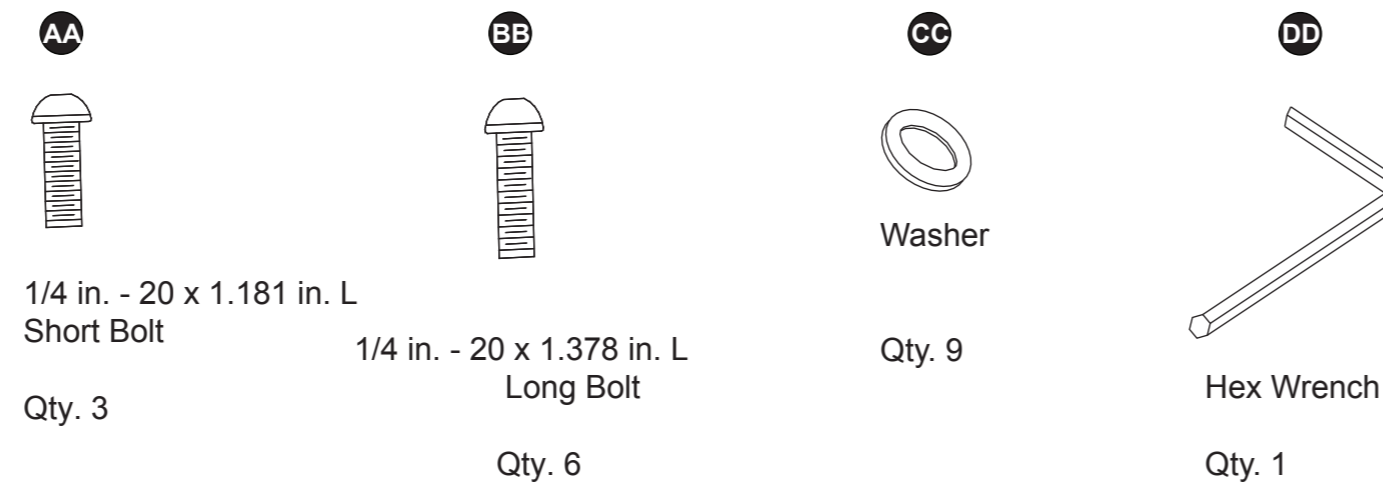
**Questions, problems, missing parts?** Before returning to your retailer, call our customer service department at 1-800-643-0067, 8:00 a.m. – 8:00 p.m., EST, Monday – Friday.

**PACKAGE CONTENTS**



PART	DESCRIPTION	QUANTITY
A	Table Top (Glass pre-assembled)	1
B	Table Leg	3
C	Table Base	1

**HARDWARE CONTENTS (shown actual size)**



**SAFETY INFORMATION**

- Read these instructions carefully before assembly.
- It takes two people to assemble this product.
- Paint on this furniture might peel if it is not handled properly. Handle with care.

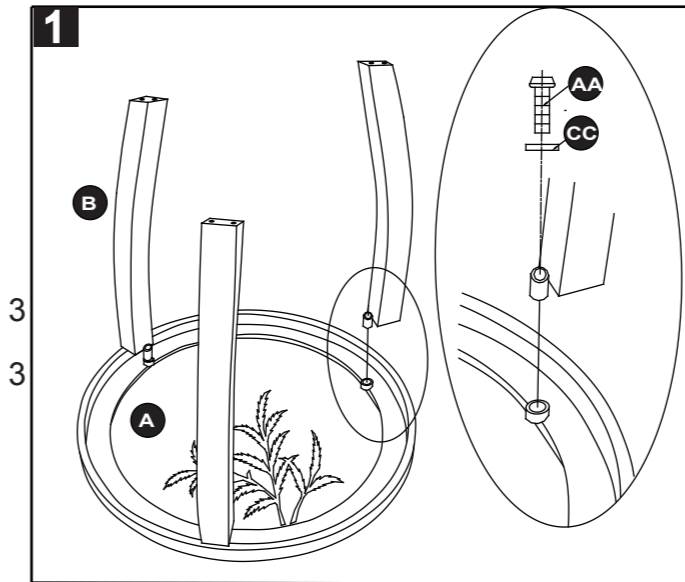
**PREPARATION**

Before beginning assembly of product, make sure all parts are present. Compare parts with package contents list and hardware contents list. If any part is missing or damaged, do not attempt to assemble the product.

**Estimated Assembly Time:** 20 minutes  
 Tools Required for Assembly: Hex Wrench (provided)

**ASSEMBLY INSTRUCTIONS**

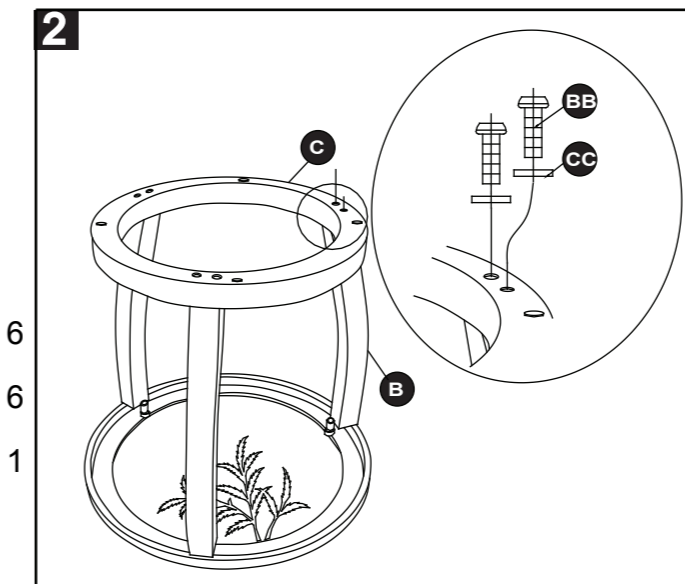
1. Put the table top (A) upside down on a soft surface such as carpet. Attach table leg (B) to table top (A) using short bolt (AA) and washer (CC). Don't tighten the bolts. Repeat the above step for the remaining legs.



**Hardware Used**

- AA Short Bolt (1/4 in. - 20 x 1.181 in. L) x 3
- CC Washer x 3

2. Assemble table base (C) to table legs (B) by inserting long bolt (BB) and washer (CC). Again, don't tighten the bolts completely. Check alignment of all hardware and make corrections if necessary. Fasten all bolts tightly with hex wrench (DD).



**Hardware Used**

- BB Long Bolt (1/4 in. - 20 x 1.378 in. L) x 6
- CC Washer x 6
- DD Hex Wrench x 1

**CARE AND MAINTENANCE**

- Paint on this furniture might peel if it is not handled properly. Handle with care.
- Clean frame with a solution of warm water and mild soap. Dry completely. Do not use bleach or solvents. Use a fine automotive wax to maintain gloss on non-textured finishes.
- The finish on furniture is formulated and baked on to make it highly resistant to repellents and lotions. However, to avoid discoloration, clean the frame as soon as possible after exposure.
- For best results, clean weave regularly with mild detergent and warm water. Cleaning will help prevent mildew by washing out dirt particles that may become trapped. Shake out excess moisture after rinsing and allow to dry thoroughly before storing.

**ONE-YEAR LIMITED WARRANTY**

- This limited warranty is extended to the original purchaser and applies to defects in materials and workmanship of your patio furniture, provided your furniture is maintained with care and used only for personal, residential purposes.
- Frames and welds are warranted to be free from defects in material or workmanship for a period of one (1) year.
- Finish is warranted against peeling, cracking or blistering for a period of one (1) year.
- Weave is warranted to be free from defects in workmanship for a period of one (1) year.
- Exclusions: Items used for commercial, contract or other non-residential purposes; display models; items purchased "as is;" or items damaged due to acts of nature, vandalism, misuse or improper assembly are not covered. Discoloration or fading of the finish or fabrics as a result of exposure to the elements, chemicals or spills; tabletop breakage; corrosion or rusting of hardware; and damages to frames or welds caused by improper assembly, misuse or natural causes are not covered.

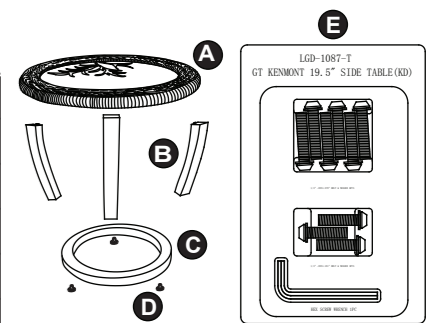
If within the stated warranty period a product is found to be defective in material or workmanship, the purchaser must contact the manufacturer's customer service department at 1-800-643-0067. The manufacturer, at its option, will repair or replace the defective parts.

The warranty is to the original purchaser and is non-transferable. Any replacement of warranted items will be in the original style and color, or a similar style and color if the original is unavailable or has been discontinued. As some states do not allow exclusions or limitations on an implied warranty, the above exclusions and limitations may not apply. This warranty gives you specific rights and you may also have other rights which vary from state to state.

**REPLACEMENT PARTS LIST**

For replacement parts, call our customer service department at 1-800-643-0067, 8:00 a.m. – 8:00 p.m., EST, Monday – Friday.

PART	DESCRIPTION	PART#
A	Table Top (Glass pre-assembled)	LG108712-09-TRG
B	Table Leg	LG108712-09-TL
C	Table Base	LG108712-09-LB
D	Foot Glide	LG108712-09-22
E	Hardware Kit	LG108712-09-HW



Printed in China  
 Garden Treasures® is a registered trademark of L.F. LLC. All rights reserved.