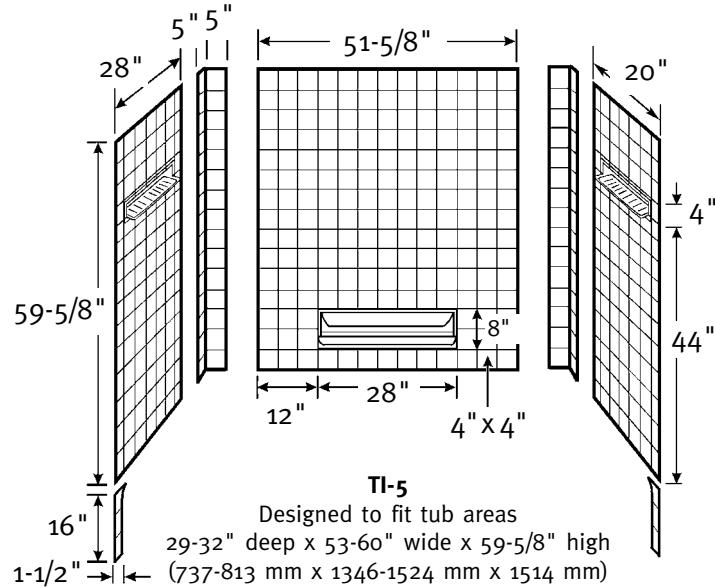


WARRANTY
Limited Lifetime – Residential
Limited 5-year – Commercial

Manufactured from Swanstone Veritek®
(see page 2 for detailed information)

FEATURES

- Has the real tile look, no grout to clean
- Stunning look adds elegance to your bath
- A variety of colors to choose from to customize a bath
- Will not mold or mildew
- Ideal for both remodeling projects and new construction
- Made of Veritek with no surface coating to chip or crack—color runs throughout
- Built-in shelves for storage of toiletries on all three walls
- The TI-5 is a glue-up 7-piece compression molded unit with molded-in color
- Patented design keeps shower head spray from aiming at seams



SPECIFICATIONS

TI-5 5-Panel Tub Wall & TI-55 Extension

| Model | Part | Tub Area Designed To Fit | Ship Wt. Lb. | Ship UPS | Carton Dims. In. | Cu. Ft. |
|-------|---------|--|-----------------|-------------|---------------------|---------|
| TI-5 | TI50000 | 29-32" D x 53-60" W x 59-5/8" H (737-813 mm x 1346-1524 mm x 1514 mm) | 76 | - | 65 x 57 x 6 | 12.87 |
| TI-55 | TI55000 | Extends to 83-5/8" H (2124 mm) | 30 | UPS | 54 x 25 x 6 | 4.69 |

TI-5 Kit Includes: One back panel with molded-in soap dish, two corner panels, two side panels with molded-in convenience shelves, two apron strips, one roll of pressure sensitive tape, three tubes of adhesive, one tube of caulk and complete installation instructions.

TI-55 Kit Includes: One back panel, two corner panels, two side panels, one roll of pressure sensitive tape, one tube of adhesive, one tube of caulk and complete installation instructions.

Packaging: Each kit is packed in a flat, rectangular carton.

STANDARDS AND RATINGS

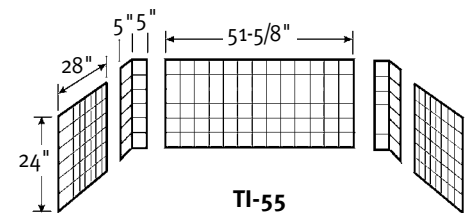
Class B fire rating
American Society for Testing and Materials
National Electrical Manufacturers Association

SUPPORT DOCUMENTS

Installation instructions available on line at www.swanstone.com

COLORS (See pg. 139 for color sample.)

- White (010)
- Bone (037)
- Bisque (018)



The optional TI-55 5-Panel Extension Kit with molded-in color, extends the 59-5/8" height of the TI-5 SwanTile walls to an additional 24" for a total of 83-5/8" above the bathtub edge. Panels can be cut to fit lower ceilings.

MAINTENANCE AND CLEANING INFORMATION

Wash regularly with warm water; use a soft cloth with mild liquid detergent such as Handy Andy, Mr. Clean or Lestoil. Scouring pads made of nylon, saran, or polyethylene may be used but *never* use abrasive scouring powders, cleansers or pads...they dull the finish.