

Features:

- Alternates water flow between 2 or 3 discrete shower outlets
- 4/3 Port Diverter allows for 1 inlet and 3 outlets
- 3/2 Port Diverter allows for 1 inlet and 2 outlets
- 1/2" NPT inlets and outlets
- Available with Cross or Lever Handle

Pictured: 845/877 Diverter Valve with Lever Handle

Kit Options	Handle Type	Product Number
3/2 Port Diverter Valve	Cross	845/177
3/2 Port Diverter Valve	Lever	845/877
4/3 Port Diverter Valve	Cross	845/178
4/3 Port Diverter Valve	Lever	845/878



Rough & Trim Options	Handle Type	Product Number
Trim Only	Cross	845/077
Trim Only	Lever	845/078
Rough Only- 3/2 Port Diverter		876/003/191
Rough Only- 4/3 Port Diverter		876/004/191

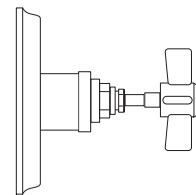


Extension Kits	Product Number
Diverter Valve Extension Kit	H2749

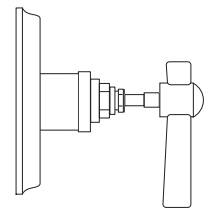
Available Finishes:	Finish Code
Polished Chrome	100
Old Bronze	105
Brushed Nickel	144
Platinum Nickel	150
Antique Nickel	444

ROUGH-IN DIAGRAM SHOWN ON REVERSE SIDE

Handle Options:



Cross



Lever

CODES & STANDARDS

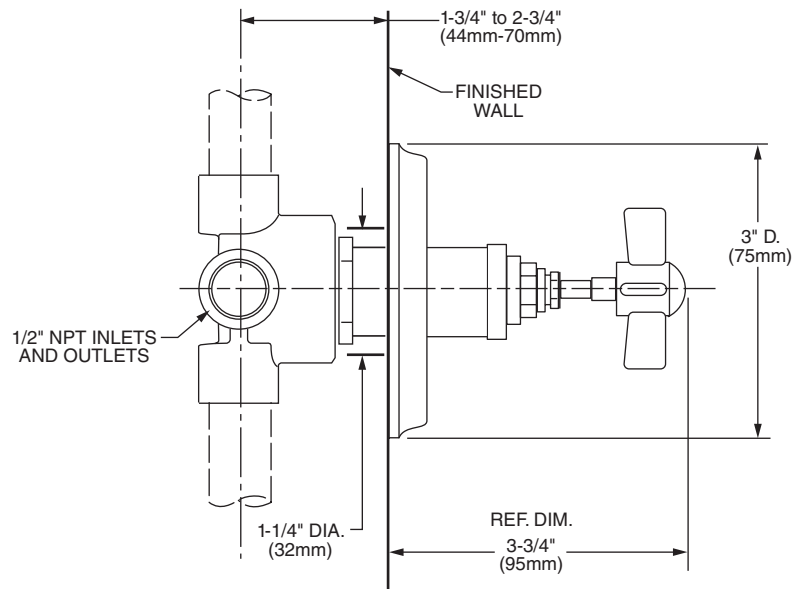
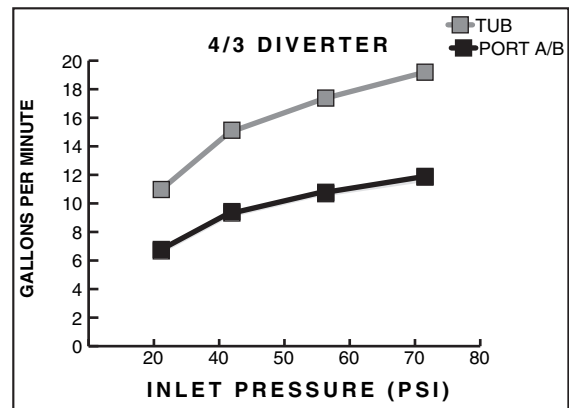
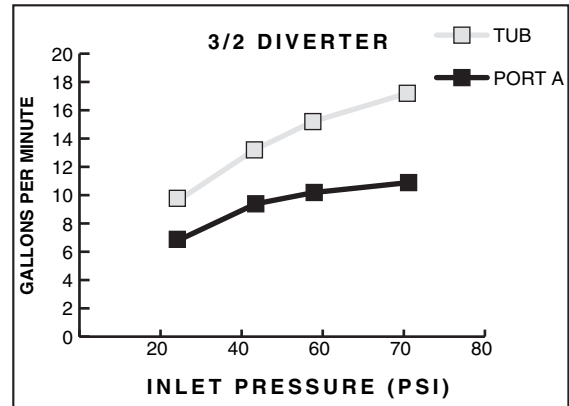
These products meet and exceed the following codes and standards:

ASME A112.18.1

CSA B125



Meets the American Disabilities Act Guidelines and **ANSI A117.1** Requirements for the physically challenged.



IMPORTANT: These measurements are subject to change or cancellation. No responsibility is assumed for use of superseded or voided pages.