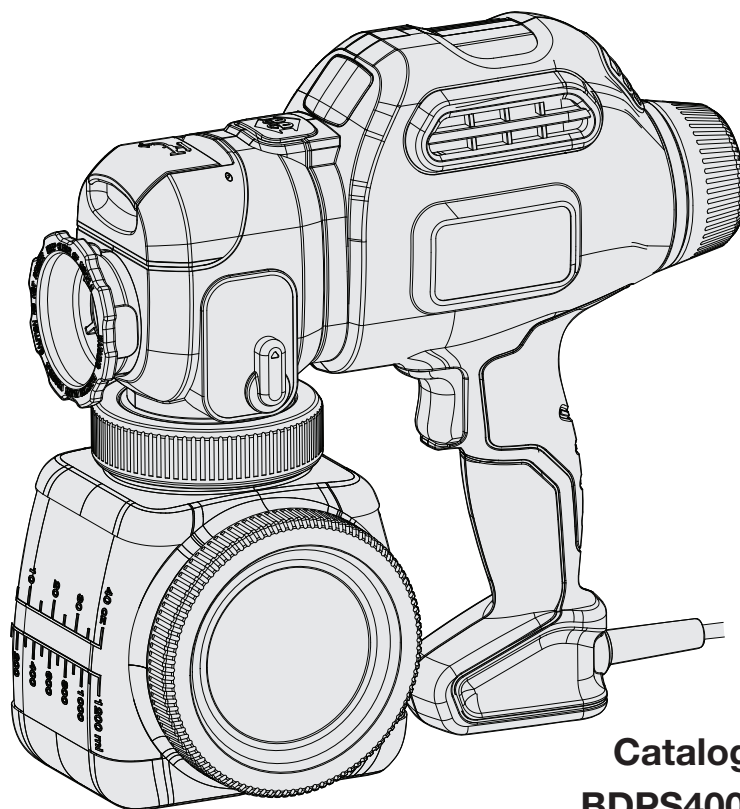




POWER PAINT SPRAYER

INSTRUCTION MANUAL



**Catalog Numbers
BDPS400 & BDPS600**

**Thank you for choosing Black & Decker! Go to
www.BlackandDecker.com/NewOwner to register your new product.**

PLEASE READ BEFORE RETURNING THIS PRODUCT FOR ANY REASON:

If you have a question or experience a problem with your Black & Decker purchase, go to **WWW.BLACKANDDECKER.COM/INSTANTANSWERS** for instant answers 24 hours a day.

If you can't find the answer or do not have access to the internet, call 1-800-544-6986 from 8 a.m. to 5 p.m. EST Mon. - Fri. to speak with an agent.

Please have the catalog number available when you call.

SAVE THIS INSTRUCTION MANUAL FOR FUTURE REFERENCE.

VEA EL ESPAÑOL EN LA CONTRAPORTADA.

INSTRUCTIVO DE OPERACIÓN, CENTROS DE SERVICIO Y PÓLIZA DE GARANTÍA.

ADVERTENCIA: LÉASE ESTE INSTRUCTIVO ANTES DE USAR EL PRODUCTO.

TABLE OF CONTENTS

Safety Guidelines - Definitions	3
Important Safety Instructions	3
General Safety Warnings	4
Grounding Instructions	4
Extension Cords	5
Components	6
Set-Up	7
Selecting Proper Spray Nozzle	7
Attaching Spray Nozzles	7
Adjusting Fan Spray Nozzle	7
Liquid Material Preparation	8
Preparation Tips	8
Filling The Canister	8
Optional Setup Using Remote Tubing	9
Speed and Flow Control Settings	10
Operation	10
On/Off Switch	10
Priming With Remote Tubing	10
Spraying Technique	11
Cleaning	12
Using Quick Flush System	13
Cleaning Remote Tubing	14
Reassembly	15
Troubleshooting	16
Maintenance	17
Accessories	17
Service Informaiton	17
Warranty	17

SAFETY GUIDELINES - DEFINITIONS

It is important for you to read and understand this manual. The information it contains relates to protecting YOUR SAFETY and PREVENTING PROBLEMS. The symbols below are used to help you recognize this information.

⚠ DANGER: Indicates an imminently hazardous situation which, if not avoided, will result in death or serious injury.

⚠ WARNING: Indicates a potentially hazardous situation which, if not avoided, could result in death or serious injury.

⚠ CAUTION: Indicates a potentially hazardous situation which, if not avoided, may result in minor or moderate injury.

NOTICE: Used without the safety alert symbol indicates a potentially hazardous situation which, if not avoided, may result in property damage.

The following are explanations of important safety hazard pictorials in this manual.



1. Read and understand the instruction manual.



3. Explosion hazard.



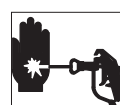
5. Electric shock hazard.



2. Fire hazard.



4. Respiratory hazard.



6. Skin injection hazard.

IMPORTANT SAFETY INSTRUCTIONS

SAVE THESE INSTRUCTIONS - To reduce the risks of fire or explosion, electrical shock and the injury to persons, read and understand all instructions included in this manual. Be familiar with the controls and the proper usage of the equipment.

- This product is intended for household use only.



⚠ WARNING: FIRE OR EXPLOSION HAZARD. Solvent and spray material fumes can explode or ignite. Severe injury or property damage can occur.

To avoid these risks, take the following preventions:

- Exhaust and fresh air introduction must be provided to keep the air within the spray area free from accumulation of flammable vapors.
- Keep spray area well ventilated
- Avoid all ignition sources such as static electricity sparks, open flames, pilot lights, hot objects, lit tobacco products, and sparks from connecting and disconnecting power cords or working light switches.
- Fire extinguisher equipment shall be present and working."
- Keep area clean and free of paint or solvent containers, rags, and other flammable materials.
- Follow the material and solvent manufacturer's safety precautions and warnings.
- Do not spray flammable or combustible materials near an open flame or sources of ignition such as lit tobacco products, motors, and electrical equipment.
- Know the contents of the spray materials and their cleaning solvents. Read all Material Safety Data Sheets (MSDS) and container labels provided with the spray materials and solvents. Follow the spray material and solvent manufacturer's safety instructions.



⚠ WARNING: EXPLOSION HAZARD DUE TO INCOMPATIBLE MATERIALS. Severe injury or property damage can occur.

To avoid these risks, take the following preventions:

- Do not use bleach.
- Do not use halogenated hydrocarbon solvents such as methylene chloride and 1,1,1 - trichloroethane. They are not compatible with aluminum and may cause an explosion. If you are unsure of a material's compatibility with aluminum, contact your coating supplier.
- Keep spray area well ventilated



⚠ WARNING: HAZARDOUS VAPORS. Spray materials, solvents, and other materials can be harmful if inhaled or come in contact with the body. Vapors can cause severe nausea, fainting, or poisoning.

To avoid these risks, take the following preventions:

- Keep spray area well ventilated.
- Use a respirator or mask if vapors can be inhaled. Read all instructions supplied with the mask to be sure it will provide the necessary protection.
- Wear protective eyewear.
- Wear protective clothing as required by coating manufacturer.



⚠ WARNING: ELECTRIC SHOCK HAZARD. May cause severe injury.

To avoid these risks, take the following preventions

- Keep electrical cord plug and sprayer trigger free from spray material and other liquids. Never hold cord at plug connections to support cord. Failure to observe may result in an electrical shock.
- Never immerse electrical parts in water or any other liquid. Wipe the exterior of the sprayer with a damp cloth for cleaning. Always make sure the sprayer is unplugged before taking it apart for cleaning.
- Do not expose unit to rain or wet conditions.
- Do not abuse the cord. Never use the cord to carry the unit or pull the plug from an outlet. Keep cord away from heat, oil, sharp edges or moving parts. Replace damaged cords immediately.



⚠ WARNING: SKIN INJECTION HAZARD. May cause severe injury.

To avoid these risks, take the following preventions

- NEVER aim the sprayer at any part of the body.
- Do not aim the sprayer at, or spray any person or animal.
- NEVER allow any part of the body to come in contact with the fluid stream.
- NEVER put your hand in front of the sprayer. Wear gloves. Gloves will not provide protection against an injection injury.
- Keep hands and other body parts away from the discharge. For example, do not try to stop leaks with any part of the body.
- Always unplug the sprayer before servicing, cleaning tip guard, changing tips, or leaving unattended.
- Always use the nozzle tip guard. Do not spray without nozzle tip guard in place.
- Only use a nozzle tip specified by the manufacturer.
- Use caution when cleaning and changing nozzle tips. In the case where the nozzle tip clogs while spraying, follow the manufacturer's instructions.
- High-pressure spray is able to inject toxins into the body and cause serious bodily injury. In the event that injection occurs, seek medical attention immediately.
- Verify that all connections are secure before operating the unit.

GENERAL SAFETY WARNINGS

⚠ WARNING: GENERAL. To Reduce the risk of severe injury or property damage.

To avoid these risks, take the following preventions:

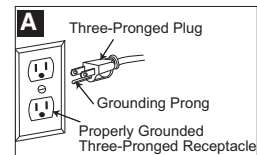
- Always wear appropriate gloves, eye protection, and a respirator or mask when painting.
- Do not aim the sprayer at, or spray any person, including self, or animal.
- Do not spray outdoors on windy days
- Wear protective clothing to keep spray material off skin and hair.
- Follow all appropriate local, state, and national codes governing ventilation, fire prevention, and operation.
- Always use appropriate gloves, eye protection and a respirator or mask when spraying, thinning, mixing, pouring, or cleaning.
- Do not operate or spray near children. Keep children away from equipment at all times. Keep sprayer out of the reach of children.
- Do not overreach or stand on an unstable support. Keep effective footing and balance at all times.
- Stay alert and watch what you are doing.
- Do not operate the unit when fatigued or under the influence of drugs or alcohol.
- Read all instructions and safety precautions for equipment and spray material before operating any equipment.
- Hearing protection is recommended for extended use.

GROUNDING INSTRUCTIONS

This product must be grounded. In the event of an electrical short circuit, grounding reduces the risk of electric shock by providing an escape wire for the electric current. This product is equipped with a cord having a grounding wire with an appropriate grounding plug. The plug must be plugged into an outlet that is properly installed and grounded in accordance with all local codes and ordinances. Connect to a grounded outlet and use grounded extension cords. Do not use a 3 to 2 adapter.



⚠ WARNING: ELECTRIC SHOCK HAZARD. Improper installation of the grounding plug is able to result in a risk of electric shock. When repair or replacement of the cord or plug is required, do not connect the grounding wire to either flat blade terminal. The wire with insulation having an outer surface that is green with or without yellow stripes is the grounding wire.



This product is for use on a nominal 120-V circuit and has a grounding plug similar to the plug illustrated. Only connect the product to an outlet having the same configuration as the plug. Do not use an adapter with this product. Check with a qualified electrician or serviceman when the grounding instructions are not completely understood, or

when in doubt as to whether the product is properly grounded. Do not modify the plug provided; if it does not fit the outlet, have the proper outlet installed by a qualified electrician. modify the plug provided; if it does not fit the outlet, have the proper outlet installed by a qualified electrician.

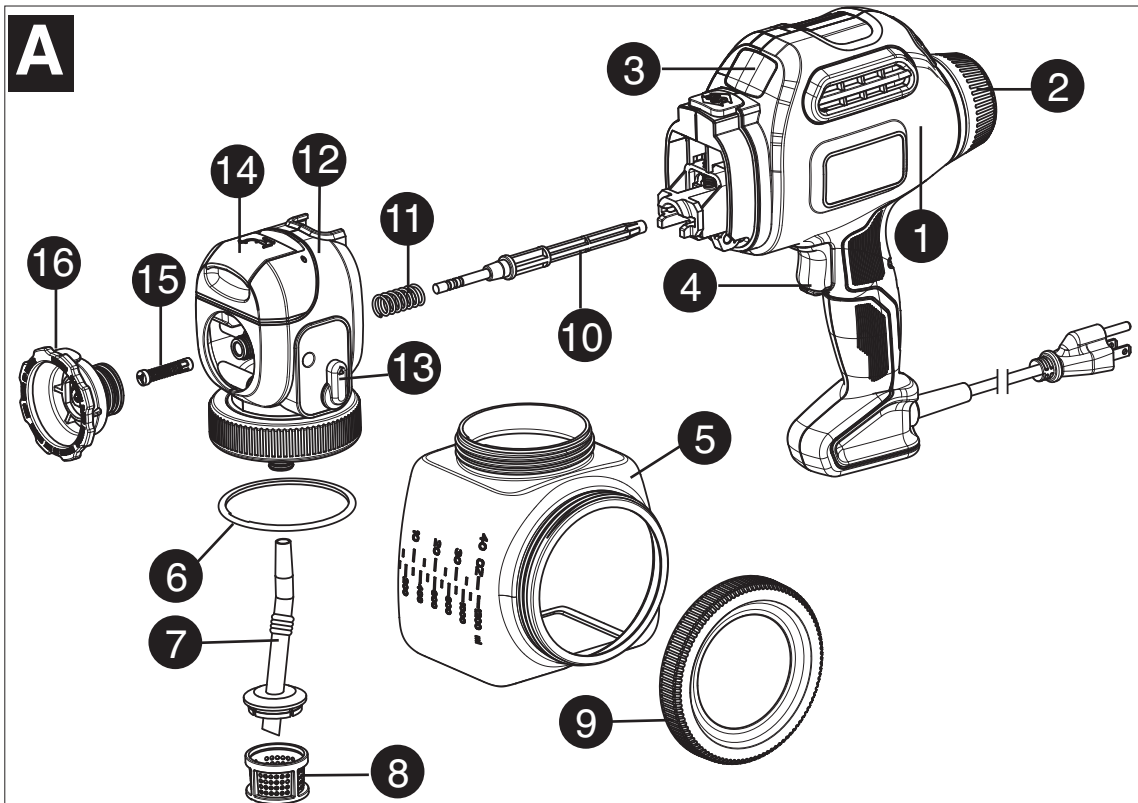
EXTENSION CORDS

Use only a 3-wire extension cord that has a 3-blade grounding plug and a 3-slot receptacle that will accept the plug on the product. Make sure your extension cord is in good condition. When using an extension cord, be sure to use one heavy enough to carry the current your product will draw. An undersized cord will cause a drop in line voltage resulting in loss of power and overheating. If an extension cord is to be used outdoors, it must be marked with the suffix W-A after the cord type designation. For example, a designation of SJTW-A would indicate that the cord would be appropriate for outdoor use. For proper size cords see chart below.

Minimum Gauge for Cord Sets						
Volts	Total Length of Cord in Feet					
120V	0-25 (0-7,6m)	26-50 (7,6-15,2m)	51-100 (15,2-30,4m)	101-150 (30,4-45,7m)		
240V	0-50 (0-15,2m)	51-100 (15,2-30,4m)	101-200 (30,4-60,9m)	201-300 (60,9-91,4m)		
Ampere Rating						
More Than	-	Not more Than	American Wire Gauge			
0	-	6	18	16	16	14
6	-	10	18	16	14	12
10	-	12	16	16	14	12
12	-	16	14	12	Not Recommended	

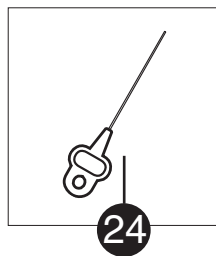
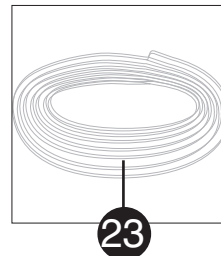
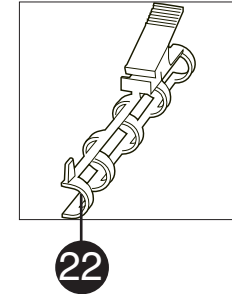
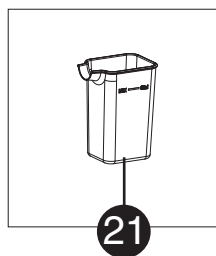
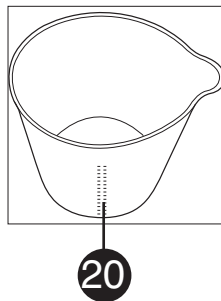
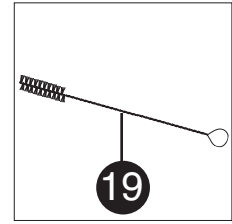
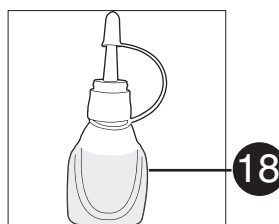
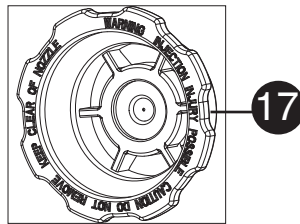
⚠ WARNING: Some spray materials contain chemicals known to the State of California to cause cancer, birth defects or other reproductive harm. To reduce your exposure wear appropriate safety equipment such as face masks, gloves, and other appropriate protective equipment. Please review and follow the safety precautions on the paint container.

COMPONENTS



FUNCTIONAL DESCRIPTION

- 1.) Paint sprayer
- 2.) Flow control knob
- 3.) Speed control switch
- 4.) Trigger
- 5.) Side fill canister
- 6.) O-ring
- 7.) Pickup tube
- 8.) Pickup tube filter
- 9.) Lid
- 10.) Piston
- 11.) Piston spring
- 12.) Valve body assembly
- 13.) Quick clean knob
- 14.) Quick clean door
- 15.) Atomizer valve
- 16.) Fan nozzle (green)
- 17.) Cone nozzle (blue)
- 18.) Oil lubricant
- 19.) Cleaning brush
- 20.) Mixing bucket
- 21.) Quick Clean fill cup
- 22.) Paint can clip - BDPS600 only
- 23.) Direct to Can hose - BDPS600 only
- 24.) Cleaning pin



SET-UP

⚠ WARNING: Be sure to use appropriate protective gear and unplug unit.

⚠ WARNING: Make sure area is well ventilated and free of flammable vapors.

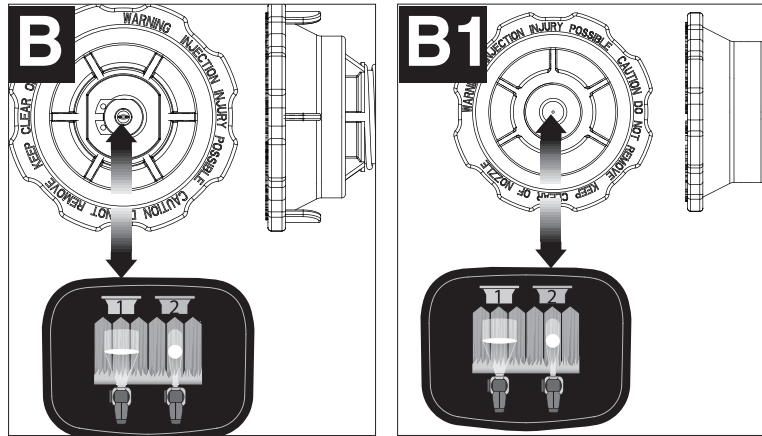
SELECTING THE PROPER SPRAY NOZZLE - (FIGURES B AND B1)

NOZZLE - (FIGURES B AND B1)

The sprayer includes two standard nozzles that are colored coded for ease of identification.

Fan (wide) nozzle (green - figure B) - This nozzle has a spring attached to the back which allows for adjustments for spraying both vertically and horizontally. It also has tabs on the side which match the spray pattern when set for spraying side to side and top to bottom. The spray pattern covers a wide area. This is the spray nozzle that is identified as number 1 in the diagram on top of the sprayer.

Cone nozzle (blue - figure B1) - The cone nozzle spray pattern is more concentrated. Use this nozzle for items that are too small for the fan nozzle. This is the spray nozzle that is identified as number 2 in the diagram on top of the sprayer.



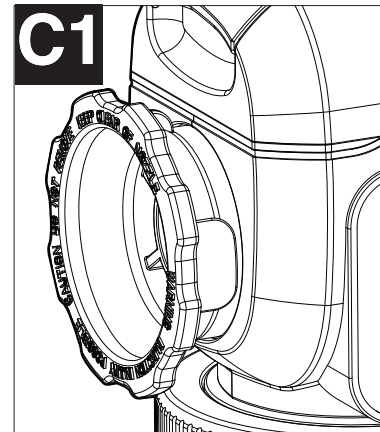
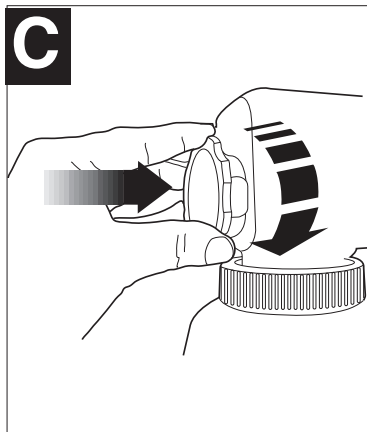
ATTACHING THE SPRAY NOZZLES - (FIGURES C AND C1)

To attach the green fan spray nozzle:

- Make sure cord is unplugged.
- Thread the nozzle onto the spindle until you feel a little resistance (about 10 full turns).
- Push in on the spring loaded nozzle and turn until it is fully seated (**figure C**).
- Once the nozzle is fully seated, the spring on the back of the nozzle will make it pop out slightly when it is released (**figure C1**).
- Make sure fan spray nozzle is completely threaded on by hand only. If it is not fully seated in can leak or damage the nozzle.

To remove the green fan spray nozzle:

- Press in on the nozzle and turn counterclockwise.



To attach the blue cone spray nozzle:

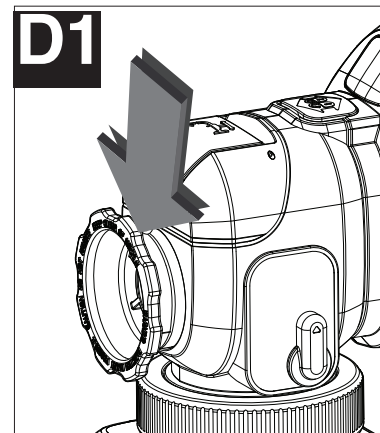
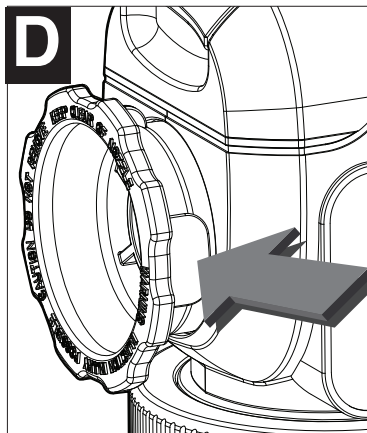
- Thread the nozzle onto the spindle until it is fully seated.
- Make sure cone spray nozzle is completely threaded on by hand only. If it is not fully seated in can leak or damage the nozzle.

ADJUSTING THE FAN SPRAY NOZZLE - (FIGURES D AND D1)

To adjust the fan spray nozzle:

- Make sure cord is unplugged and that the fan spray nozzle is fully hand-tightened.
- The fan spray nozzle has two tabs which align to indicate vertical and horizontal positions.
- If you will be spraying (side to side) adjust the nozzle to align with the vertical mark as shown in **figure D**.
- If you will be spraying (up and down) adjust the nozzle to align with the horizontal mark as shown in **figure D1**.

⚠ CAUTION: Do not compress or push spring when adjusting fan pattern. The nozzle should rotate and not loosen.




LIQUID MATERIAL PREPARATION - (FIGURES E, E1)

TIP: Make sure the type of material you use can be cleaned with either mineral spirits or paint thinner (for oil-based paints) or a warm water and soap solution (for water soluble paints like latex). Use drop cloths during pouring, mixing, and viscosity testing of materials to be sprayed to protect your floors and anything else in the spraying area that you wish to remain untouched.

The liquid being sprayed may need to be thinned (diluted) before starting. When thinning, use the proper liquid thinner recommended on the container by the material manufacturer and the proper dilution rate.

⚠ WARNING: Do not use materials with a flashpoint higher than 60°C (140°F).

 A 2- 3/4 quart mixing bucket is provided to use when transferring spray material from the original container into the bucket for thinning and measuring purposes (figure E).

- If material needs thinning, add the appropriate liquid thinning material recommended by the manufacturer (figure E1).

- The quick clean fill cup has a measurement of 2.5 ozs. This can be used as a quick measurement when thinning to 5% in the side fill canister.

- It is possible to spray latex paint with this unit, however, the required thinning may exceed material manufacturer's recommendation. The operator should consider the type of application and final location of the project when spraying.



COMMON DILUTION RATES ON PAINT CAN	
MANUFACTURERS SUGGESTED	OUNCES PER GALLON
1/2 pint	8 ounces
5%	6-1/2 ounces
10%	13 ounces

PREPARATION TIPS

- With any spraying job you should always ensure that you have properly prepared the surface to get the best finish. That is, that all surfaces are free from dust, dirt, rust and grease. Lightly pressure wash decks or exterior surfaces and ensure that they are dry before spraying.

- It is recommended that you mask all edges and other areas and use drop cloths to protect your floors and anything else in the spraying area that you wish to remain untouched.

- Skin that forms on the top of paint can clog the sprayer. Remove skin before mixing. Older material may need to be strained with a funnel with a filter attached or through hosiery to remove any impurities that could clog system.

- Before starting have gloves, paper towels, rags etc. available for unexpected spills.

FILLING THE CANISTER - (FIGURE F)

- Check to make sure that the canister is completely screwed onto the sprayer.

- Lay the sprayer on its side with the canister side lid facing up.

- Unscrew the lid on the side of the canister.

- Pour the properly thinned and strained material to be sprayed into the side fill canister (figure F). **TIP: Use the mixing bucket provided to pour material from the original material container into the side fill canister.**

- Clean any residual liquid from the threads or sides of the canister and sprayer.

- Starting the threads evenly, screw the lid completely onto the side fill canister. Check the lid to make sure it is threaded on squarely and completely before picking up the sprayer.

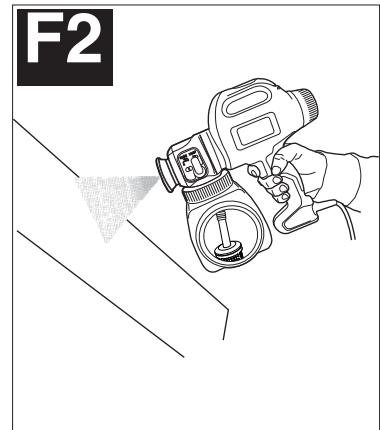
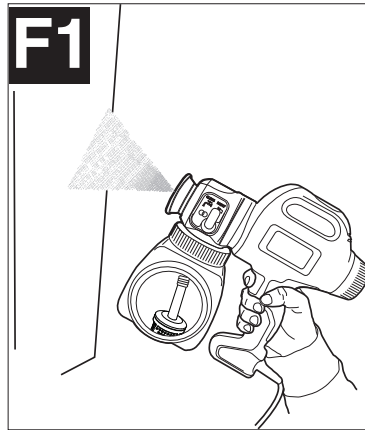


**ALIGNING THE PICKUP TUBE -
(FIGURES F1 AND F2)**

The pickup tube can be aligned in the direction that you will be doing the most spraying to help minimize the amount of times that you will have to refill the canister.

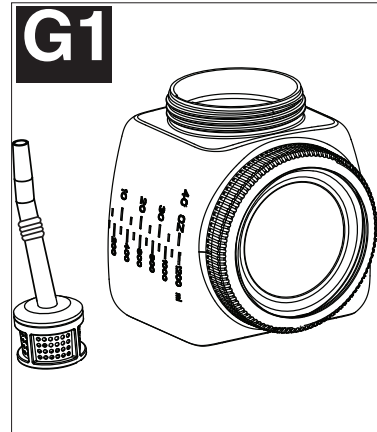
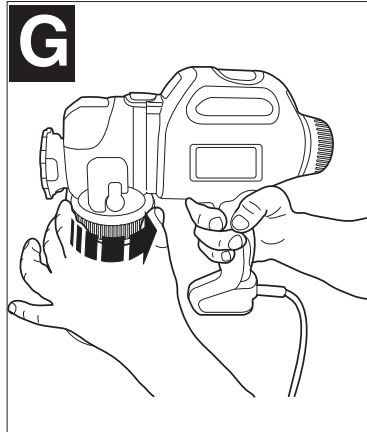
- If you are spraying at an upward angle or straight on, position the pickup tube **(figure F1)** toward the back of the canister.
- If you are spraying at a downward angle, position the pickup tube **(figure F2)** toward the front of the canister.

This will ensure you spray as much material as possible before you need to refill.

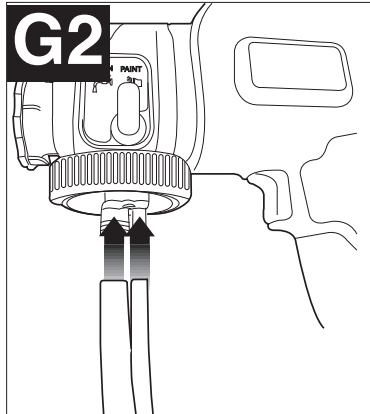


OPTIONAL SETUP USING DIRECT TO CAN HOSE - BDPS600 ONLY

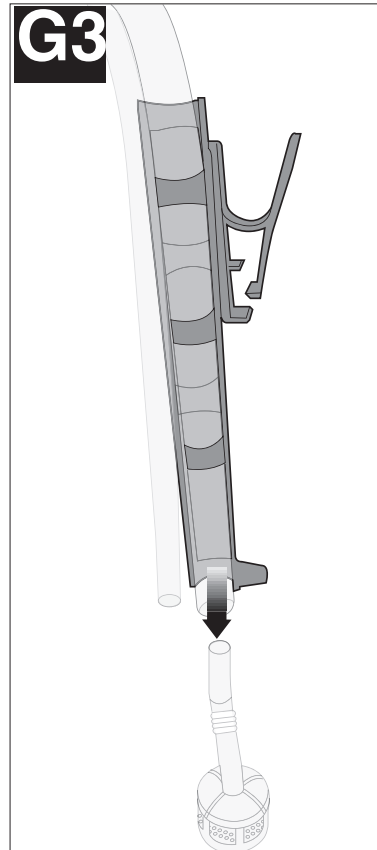
- Unscrew the canister from the sprayer by turning the collar as shown in **figure G** and remove the pickup tube and filter **(figure G1)**.



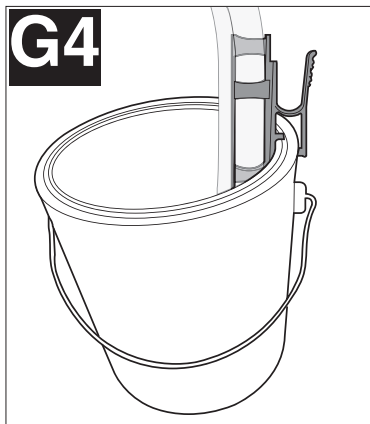
- Push the suction hose onto the intake and return ports as shown. **(figure G2)**.



- Pull the hose apart on the opposite end and slide the larger hose completely through the container clip, then over the barbs of the pickup tube and filter as shown in **figure G3**.



- Place the suction tube assembly into the material container and attach the container clip securely to the side **(figure G4)**. Check to make sure that complete assembly is submerged in the material container.



SPEED AND FLOW CONTROL SETTINGS

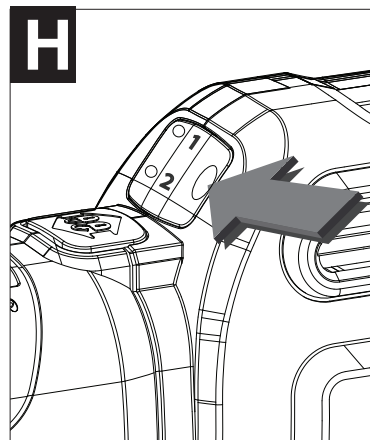
TWO SPEED CONTROL SWITCH - (FIGURE H) (MODEL BDPS600 ONLY)

Your sprayer has two different speed settings.

- To change speeds, press the right side of the switch. An LED indicates setting 1 or 2.
- Use the lower speed setting (Setting 1) to obtain greater control over your spraying project, while the higher speed (Setting 2) allows for greater coverage in a shorter amount of time.
- The lower speed level allows you to get closer to your work with less overspray. Low setting works well with lighter bodied or more free flowing paints like stains and sealers.
- More heavy bodied paints, like water based latex, will need setting number 2
- Use the speed control setting in conjunction with the flow control knob and test for what works best with your material being sprayed.

Set the flow control to a lower or medium setting (1-5) when on speed setting 1.

Set the flow control to medium or higher setting (5-9) when on speed setting 2.

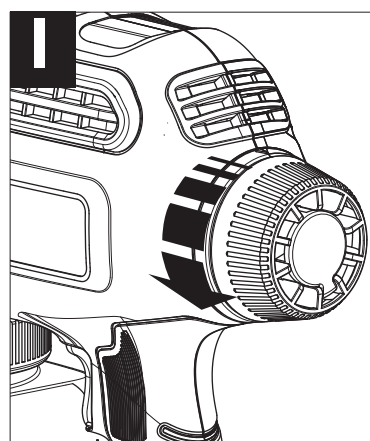


FLOW CONTROL KNOB - (FIGURE I)

The flow control knob regulates the amount of liquid that can be sprayed.

- Select low (1), medium (5) or high (9) on the flow control knob.

TIP: Always test the spray pattern on scrap cardboard or similar material first. Begin with flow control knob on the highest flow setting. Heavier, thicker materials should be sprayed on the higher setting closer to #9. Thinner materials should be sprayed on the lower setting closer to #1.



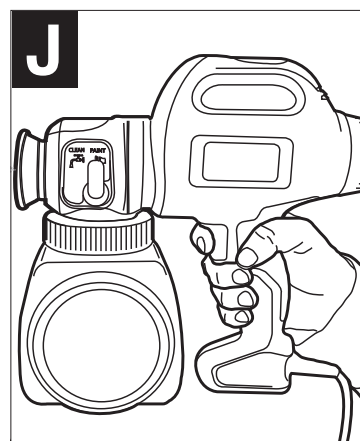
OPERATION

ON / OFF TRIGGER - (FIGURE J)

The sprayer is turned on and off by the trigger.

- To turn the sprayer on, squeeze the trigger.
- To turn the sprayer off, release the trigger.

⚠ WARNING: Risk of injury. Never point the sprayer at any part of the body. Never pull the trigger while adjusting the spray setting.

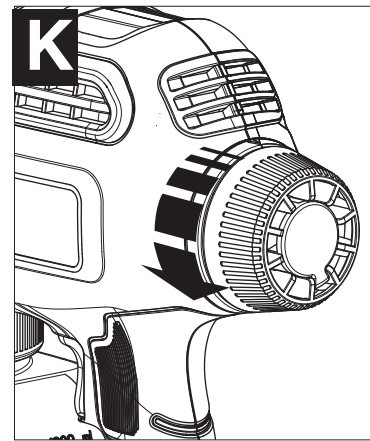


PRIMING WITH THE DIRECT TO CAN HOSE - BDPS600 ONLY

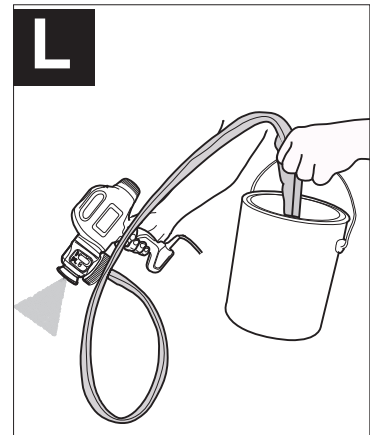
- The time needed to prime will vary from 30 seconds to 3 minutes depending upon the thickness of the material you are spraying. When the sprayer is priming or sucking up the paint on the initial use, it will produce a loud noise, this is normal. When the sprayer is primed and painting, the noise will lessen.
- If your sprayer is properly cleaned and oiled and it takes longer than three minutes to prime, your piston and/or pump housing may be worn and will need to be replaced before using your direct to can hose.
- Using the direct to can hose will decrease the material flow, so it will take longer to apply the same amount of material to the surface being sprayed.
- A 75% duty cycle is recommended when using the direct to can hose. For example, trigger the sprayer for 15 seconds, and then allow the sprayer to remain idle for 5 seconds.

If you are using the direct to can hose, you will need to prime the sprayer by removing air from the system. To prime:

1. Make sure the sprayer is plugged in, and turn the flow control knob counterclockwise to maximum (**figure K**).

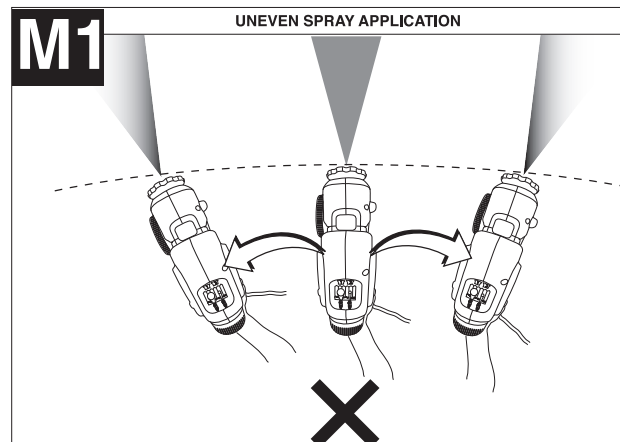
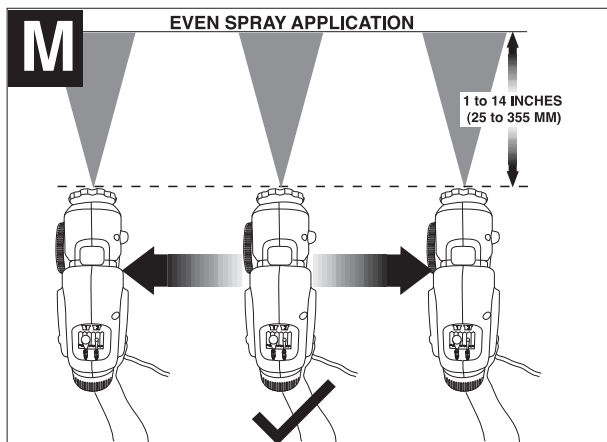


2. Hold the sprayer below the level of the paint. This will speed up the priming (**figure L**).



3. Aim the sprayer at a piece of scrap wood or cardboard. Squeeze the trigger and hold until all air is out of the system and material is flowing freely out of the sprayer tip. This could take up to three minutes.

Important: The end of the direct to can hose must remain completely submerged in the material. If it is not completely submerged and air is sucked into the system, the piston could seize. If the piston seizes, the sound the sprayer makes will change to a low hum and the sprayer will quickly become hot to the touch. Never run the sprayer when the piston is seized. Should this happen, clean the piston and the pump housing thoroughly using the cleanup procedures found in this manual.



DEVELOPING THE PROPER SPRAYING TECHNIQUE

- Practice spraying on a piece of scrap material such as cardboard to test your spray pattern and become familiar with the speed settings flow control features of the sprayer.
- Ensure surface to be sprayed is free of dust, dirt, and grease.
- Ensure spray area is clean and free of dust that could be blown onto newly sprayed surfaces.
- Cover any areas not intended to be sprayed.
- Always spray from a minimum of 1 inch (25mm) to a maximum of 14 inches (355mm) (**figure M**). Optimal is usually around 10 inches or use a paint stir stick as a reference.
- A commonly used method for spraying a large surface is the “crisscross” pattern. This is done by spraying in horizontal strips and then crossing over these strips with vertical strips.
- To get an even spray distribution, always keep your arm at the same distance (**figure M**) from the surface you are spraying and avoid moving your wrist (**figure M1**).

- Maintain smooth and consistent speed which will help avoid inconsistencies. Begin spraying after the pass has begun and release trigger before stopping the pass.
- Avoid spraying too heavily in any one area. Several lighter coats are better than one heavy coat which can lead to running and dripping. Remember that the flow control knob regulates the amount of liquid that can be sprayed. Turning the flow knob counterclockwise increases the flow of liquid. Turning the knob clockwise decreases the flow of liquid. If runs or drips do occur, have a dry paint brush on hand to smooth them out.

⚠ WARNING: ELECTRIC SHOCK HAZARD. When spraying overhead, never tip the sprayer more than 45 degrees. The material being sprayed could leak into the motor housing.

TIP: If the atomizer valve is not seated properly, spray material will leak from behind the spray nozzle. If material is leaking, turn off and unplug sprayer from power source immediately. Follow these steps to correct the problem:

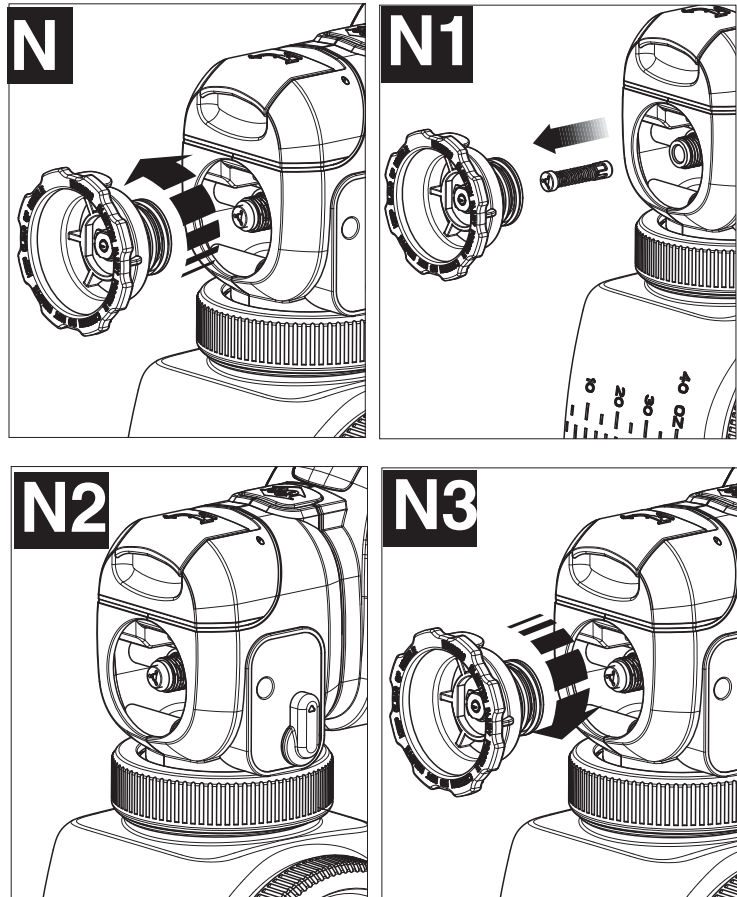
- Unplug the sprayer from the power source. Follow steps for “How to Use the Quick Clean System” on page 13.

If problem persists:

- Check that the sprayer is unplugged from the power source. Remove the spray nozzle by turning counterclockwise (**figure N**). For the fan nozzle, remember to push and turn counterclockwise to remove.
- Remove the atomizer and check to see if it needs to be cleaned or replaced. Also check inside the pump housing for any debris or obstruction and clean if necessary (**figure N1**).

- Replace the atomizer valve making sure it seats properly (**figure N2**).

- Thread the spray nozzle back onto the sprayer by turning clockwise (**figure N3**).



CLEANING

- ⚠ WARNING:** Be sure to use appropriate protective gear.
- Make sure clean up area is well ventilated and free of flammable vapors.
 - Always spray outdoors when spraying cleaning solution through sprayer.
 - Use drop cloths during pouring, mixing, and viscosity testing of materials to be sprayed to protect your floors and anything else in the spraying area that you wish to remain untouched.

USING THE QUICK CLEAN SYSTEM

The quick clean system allows for a variety of useful functions.

First, the system can allow you to spray water or a suitable cleaning liquid while there is still spray material in the main canister. This is useful when setting up your spray pattern with the fan nozzle. You can spray water instead of wasting spray material to view the spray pattern.

Second, the quick clean system allows you to flush the pump assembly, the piston, the nozzle and the atomizer valve. When spraying for long periods of time, spray material may build up causing a deterioration of the spray quality. It is good to flush this system with water or cleaning liquid after every other spray material refill. It is also important to flush the system when the sprayer will sit for more than 15 minutes without use. Spray material can dry on the nozzle and pump assembly and would require a thorough cleaning. Always oil piston if sitting idle for a long period of time. See “Reassembly Section”.

Third, the quick clean system allows for a faster clean-up when your project is complete. One or two flushes through the quick clean system gives you a head start on cleaning the nozzle, the atomizer, the pump and piston. Please follow recommended cleaning steps in this manual when performing a final clean of the system.

HOW TO USE THE QUICK CLEAN SYSTEM

- Unplug the sprayer from the power source.
- Fill the quick clean fill cup, to the 95ml fill line, with water or the appropriate cleaning solution.
- Open the quick clean door, and pour in the cleaning solution as shown in **figure O**. **Do not overfill the reservoir.**
- Switch the quick clean lever from paint to clean (**figure O1**).
- Plug in the sprayer.
- Spray into a waste container, cardboard box or test surface to completely flush the sprayer system.
- Once the spray pattern turns to only the color of the cleaning solution, begin cleaning.
- You may need to flush more than once.

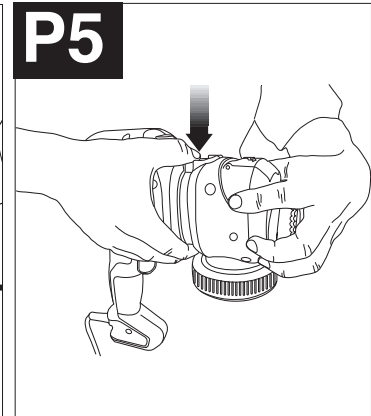
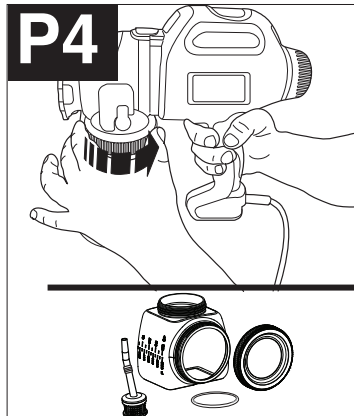
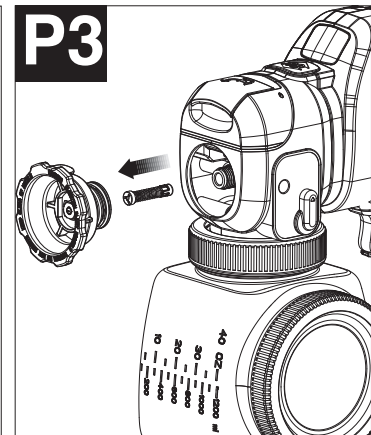
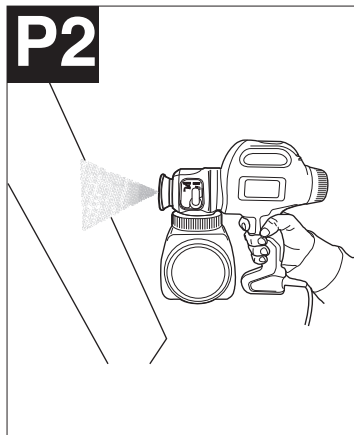
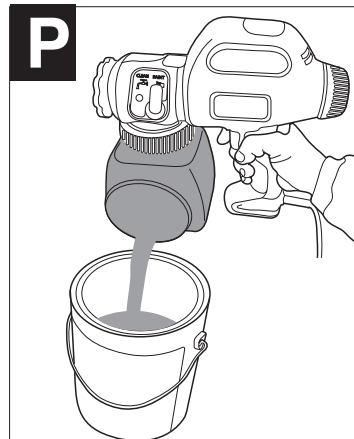
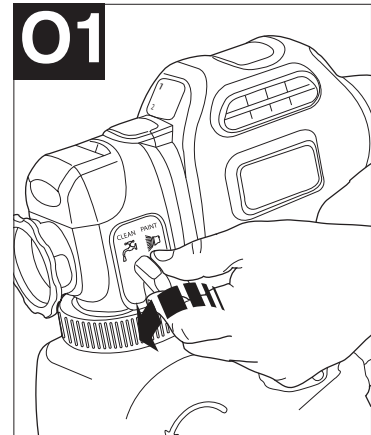
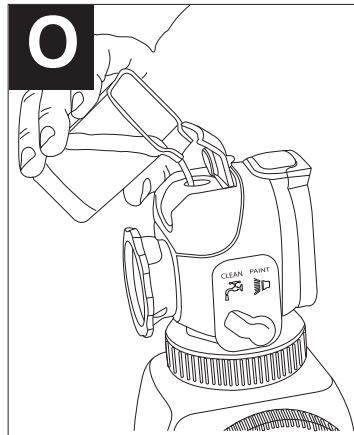
NOTICE: Please note, this is not the final cleaning step.

TO BEGIN CLEANING:

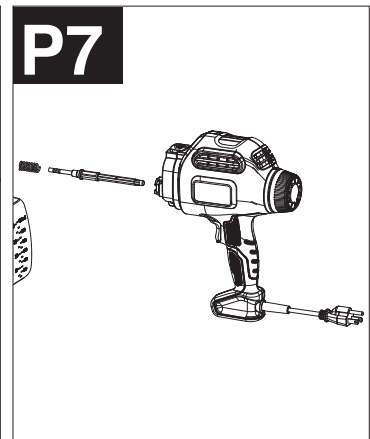
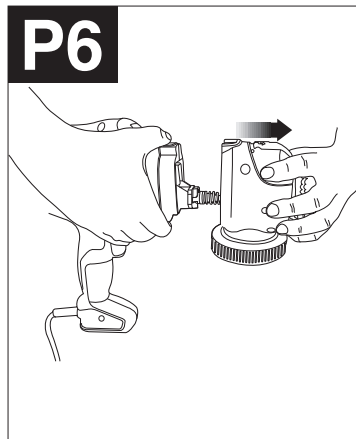
- Unplug the sprayer from the power source.
- Unscrew the lid from the side of the canister and pour any remaining liquid back into the original container (**figure P**).
- Pour a small amount of the appropriate cleaning solution into the canister (**figure P1**).
 - Warm soapy water for water based materials
 - Manufacturers recommended cleaning solution for oil based materials
- Replace the lid on the canister securely and vigorously shake the sprayer.
- Unscrew the lid from the side of the canister and properly dispose of cleaning solution.
- **Refill** the canister with a small amount of new cleaning solution (**figure P1**). Screw lid securely on canister.
- Plug in the cord and spray the cleaning solution through the sprayer onto scrap material for 5 seconds (**figure P2**).
- Unplug the sprayer from the power source.
- Properly dispose of cleaning solution.
- Remove the spray nozzle, by turning counterclockwise, then remove the atomizer (**figure P3**). Refer to **figures C & C1**.

- Unscrew the canister from the sprayer by turning the collar as shown in **figure P4**. Remove the pickup tube and filter and o-ring from the sprayer. Clean the parts with the cleaning brush in the appropriate cleaning solution.

- Remove the front housing of the sprayer, by pressing down on the release button and pulling the front housing off of the sprayer (**figure P5, P6**).

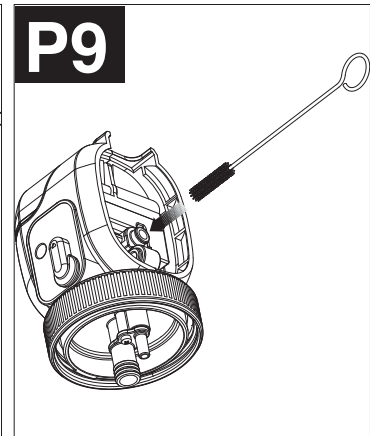
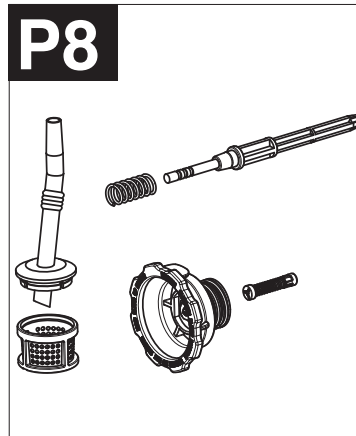


- Remove the piston and spring (**figure P7**).



- Clean the spray nozzle, pickup tube and filter, atomizer, piston and spring with the cleaning brush in the appropriate cleaning solution (**figure P8**).

- **Thoroughly** clean the inside of the piston chamber with the cleaning brush (**figure P9**).
- IMPORTANT:** Be sure to remove all material from inside of piston chamber. A small amount of material that is not removed with the cleaning brush can harden over time and interfere with the movement of the piston causing damage to the sprayer.

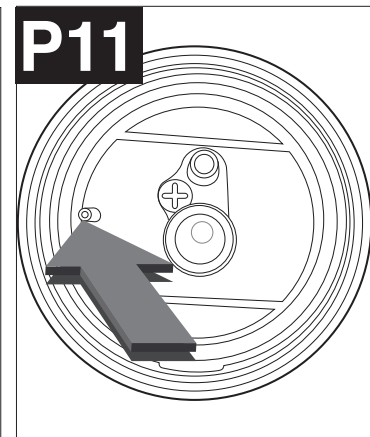
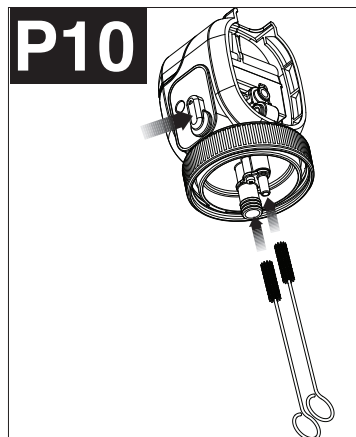


Ensure that quick clean knob is oriented in the spray position as shown in **figure P10** with an arrow.

- **Thoroughly** clean the inside of the intake and return openings with the cleaning brush (**figure P10**).

IMPORTANT: Also thoroughly clean the smaller vent hole, shown with an arrow in **figure P11**, with included cleaning pin.

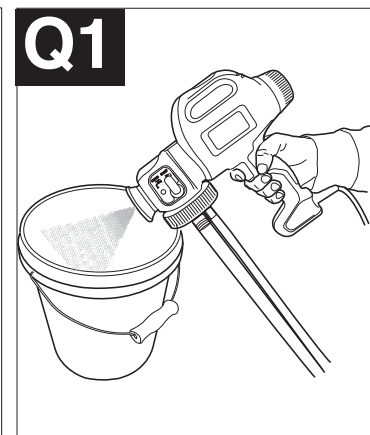
- Dry all parts thoroughly.



CLEANING THE DIRECT TO CAN HOSE:

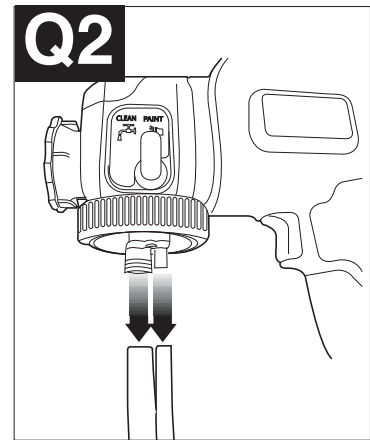
- Unplug the sprayer from the power source.
- Remove the suction tube from the material container and submerge into a bucket containing solvent appropriate to the type of material you sprayed (warm, soapy water for latex-based materials; manufacturers recommended cleaning solution for oil based materials (**figure Q**).

- Plug in sprayer. Point sprayer into the side of another waste container. Trigger the sprayer until the spray pattern turns to only the color of the cleaning solution (**figure Q1**).



- Unplug the sprayer from the power source.
- Remove the tubing from the intake and return ports (**figure Q2**).

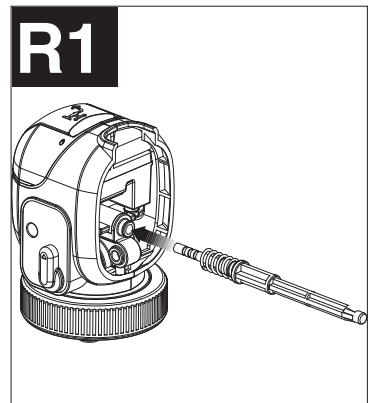
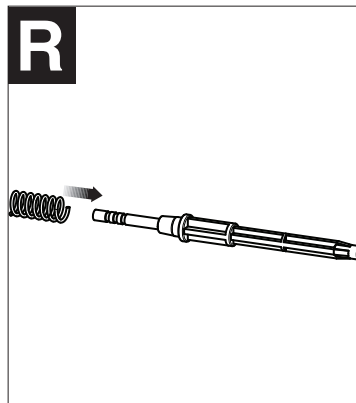
- Hold the tubing over the waste container and let any remaining liquid in the hose drain out.



REASSEMBLY

- Slide the spring onto the front of the piston (**figure R**).

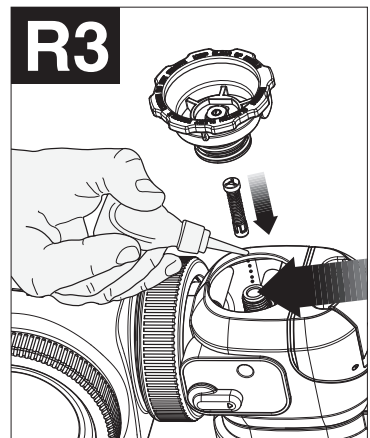
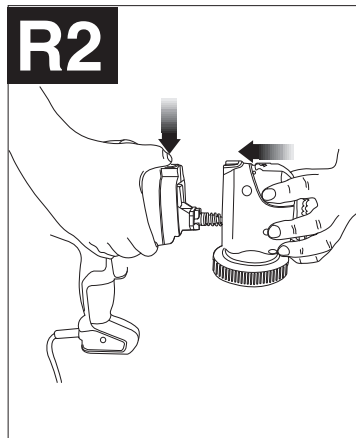
- Insert the piston and spring into the front housing (**figure R1**).



- Pressing down on the release button, insert the front housing with piston, into the sprayer until the release button pops into place (**figure R2**).

NOTICE: The unit will not reassemble without the piston and spring in place.

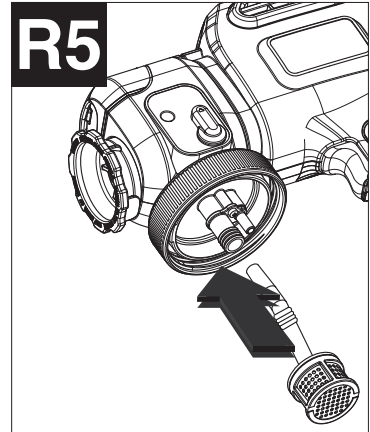
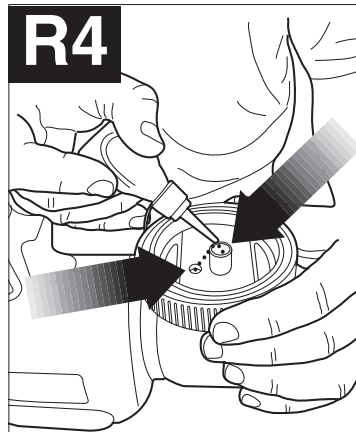
- Place a few drops of oil through the cylinder opening. Insert the atomizer valve into the front housing. Thread the spray nozzle onto the front housing and hand tighten (**figure R3**).



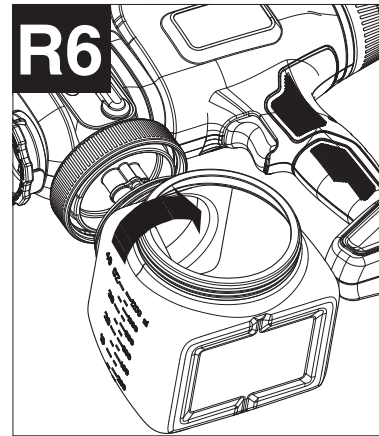
- Using the oil lubricant provided, place a few drops of oil down the intake and return openings of the sprayer as shown in **figure R4**.

- Rotate the quick clean lever from **paint** to **clean** and back **3 times** after oiling.

- Insert the pickup tube into the intake opening on the sprayer (**figure R5**).



- Thread the canister back onto the sprayer (**figure R6**) making sure the tabs on the canister align with the tabs on the threaded collar. The side fill lid should always be on the left side of the sprayer.



TROUBLESHOOTING

Problem

- Material runs or drips

Possible Cause

- Spraying too much material.
- Spraying too slowly.
- Spraying too close.
- Viscosity too thin.

Possible Solution

- Reduce air flow by turning flow control knob.
- Increase speed of application.
- Increase distance from surface.
- Check dilution recommendation.

- Too much over spray.

- Sprayer too far from surface.
- Too much material being sprayed.

- Reduce distance to surface.
- Reduce flow by turning flow control knob clockwise.

- Little or no material being released.

- Spray nozzle/tip clogged.
- Pickup tube loose or clogged.
- Flow control knob setting too low.
- Material too thick.

- Clean nozzles.
- Check tube.
- Increase flow control setting.
- Check viscosity recommendation.

- Material being sprayed is splattering.

- Viscosity of material is too low.

- Thin material per manufacturer recommendation.

- Sprayer pulsates.

- Material in canister almost empty.

- Refill canister.

- Liquid comes out side of canister.

- Lid not on square or tight enough.
- Paint on threads of canister and lid.

- Remove lid and reattach squarely and evenly, then tighten cap securely.
- Clean threads on top and sides of canister and lid.

- Motor operates properly but does spray.

- Failure to prime with remote tubing.
- Loose or damaged suction tube.
- Plugged or worn atomizer valve.
- Atomizer valve missing.
- Material too thick.
- Plugged spray tip.
- Intake filter plugged.
- Control knob needs adjusting.
- Worn piston.

- Thin spray material. Hold sprayer below level of spray material can. Oil intake opening.
- Tighten or replace.
- Clean or replace as needed.
- Put in atomizer valve.
- Thin material.
- Clean tip.
- Clean intake filter.
- Adjust knob.
- Clean and oil or replace

- Cannot reassemble unit.

- Skipped an assembly step.

- Insert spring and piston into the housing prior to reassembling.
- Press and hold the release button while reassembling.

For assistance with your product, visit our website www.blackanddecker.com for the location of the service center nearest you or call the BLACK & DECKER help line at 1-800-544-6986.


MAINTENANCE

Use only mild soap and damp cloth to clean the power unit. Never let any liquid get inside the power unit; never immerse any part of the power unit into a liquid.

IMPORTANT: To assure product SAFETY and RELIABILITY, repairs, maintenance and adjustment (other than those listed in this manual) should be performed by authorized service centers or other qualified service organizations, always using identical replacement parts.

ACCESSORIES

Recommended accessories for use with your product are available from your local dealer or authorized service center. If you need assistance regarding accessories, please call: **1-800-544-6986**

 **WARNING:** The use of any accessory not recommended for use with this product could be hazardous.

SERVICE INFORMATION

All Black & Decker Service Centers are staffed with trained personnel to provide customers with efficient and reliable power tool service. Whether you need technical advice, repair, or genuine factory replacement parts, contact the Black & Decker location nearest you. To find your local service location, refer to the yellow page directory under "Tools—Electric" or call: **1-800-544-6986** or visit **www.blackanddecker.com**

 **WARNING:** Tool service must be performed only by qualified repair personnel.

 **WARNING:** When servicing a tool, use only identical replacement parts.

WARRANTY

Full Two-Year Home Use Warranty

Black & Decker (U.S.) Inc. warrants this product for two years against any defects in material or workmanship. The defective product will be replaced or repaired at no charge in either of two ways.

The first, which will result in exchanges only, is to return the product to the retailer from whom it was purchased (provided that the store is a participating retailer). Returns should be made within the time period of the retailer's policy for exchanges (usually 30 to 90 days after the sale). Proof of purchase may be required. Please check with the retailer for their specific return policy regarding returns that are beyond the time set for exchanges.

The second option is to take or send the product (prepaid) to a Black & Decker owned or authorized Service Center for repair or replacement at our option. Proof of purchase may be required. Black & Decker owned and authorized Service Centers are listed under "Tools-Electric" in the yellow pages of the phone directory.

This warranty does not apply to accessories. This warranty gives you specific legal rights and you may have other rights which vary from state to state or province to province. Should you have any questions, contact the manager of your nearest Black & Decker Service Center. This product is not intended for commercial use.

LATIN AMERICA: This warranty does not apply to products sold in Latin America. For products sold in Latin America, check country specific warranty information contained in the packaging, call the local company or see the website for warranty information.

FREE WARNING LABEL REPLACEMENT: If your warning labels become illegible or are missing, call **1-800-544-6986** for a free replacement.

Imported by
Black & Decker (U.S.) Inc.,
701 E. Joppa Rd.
Towson, MD 21286 U.S.A.



See 'Tools-Elec-
tric'
- Yellow Pages -
for Service &
Sales

